

US00D864194S

(12) **United States Design Patent**
Perry

(10) **Patent No.:** **US D864,194 S**

(45) **Date of Patent:** **** Oct. 22, 2019**

(54) **DISPLAY WITH POWER MODULE**

(71) Applicant: **Elo Touch Solutions, Inc.**, Milpitas, CA (US)

(72) Inventor: **Brian Perry**, San Jose, CA (US)

(73) Assignee: **Elo Touch Solutions, Inc.**, Milpitas, CA (US)

(**) Term: **15 Years**

(21) Appl. No.: **29/628,625**

(22) Filed: **Dec. 6, 2017**

(51) **LOC (12) Cl.** **14-02**

(52) **U.S. Cl.**
USPC **D14/336**

(58) **Field of Classification Search**

USPC D14/341-347, 125-134, 137, 138 R, D14/138 AA, 138 AB, 138 C, 138 G, 147, D14/203.1, 203.3, 203.4, 203.7, 218, 247, D14/248, 332, 336, 371, 374-377, 388, D14/389, 315-318, 420, 426, 429, 440, D14/448, 450, 489, 492, 496; D6/300-310; D10/50, 65, 98, 104.1; D16/241; D18/4.6, 6; D20/10, 19, 39; D21/329, 330

CPC . A63H 33/3016; G06F 1/1613; G06F 1/1641; G06F 1/1643; G06F 1/1647; G06F 3/04883; G06F 3/0486; G06F 3/04847; G06F 3/04845; G06F 3/0484; G06F 3/04817; H05K 5/0004; H05K 5/0017; H05K 5/02; H05K 5/0217; H04M 1/0279; H04M 1/0281; H04M 1/0283; H04N 13/0459

See application file for complete search history.

(56) **References Cited**

U.S. PATENT DOCUMENTS

D356,548 S * 3/1995 Bottcher D14/341
D447,963 S * 9/2001 Ingebritson D10/50

D462,018 S * 8/2002 Markle D10/64
D500,037 S * 12/2004 Ozolins D14/375
D582,802 S * 12/2008 Branson D10/50
D597,974 S * 8/2009 Iseki D14/126
D601,143 S * 9/2009 Oikawa D14/336
D601,562 S * 10/2009 Chiu D14/371
D636,187 S * 4/2011 Kim D6/308
D639,568 S * 6/2011 Lee D6/308
D694,718 S * 12/2013 Baumgartner D13/168

(Continued)

OTHER PUBLICATIONS

BenQ 24-Inch Gaming Monitor, posted Sep. 12, 2012, [retrieved Aug. 17, 2018]. Retrieved from Internet, <URL: <https://www.amazon.com/BenQ-24-Inch-Gaming-Monitor-Discontinued/dp/B007HSKSMI>>.*

(Continued)

Primary Examiner — Barbara Fox

Assistant Examiner — Kristin E Reed

(74) *Attorney, Agent, or Firm* — Sterne, Kessler, Goldstein & Fox P.L.L.C.

(57)

CLAIM

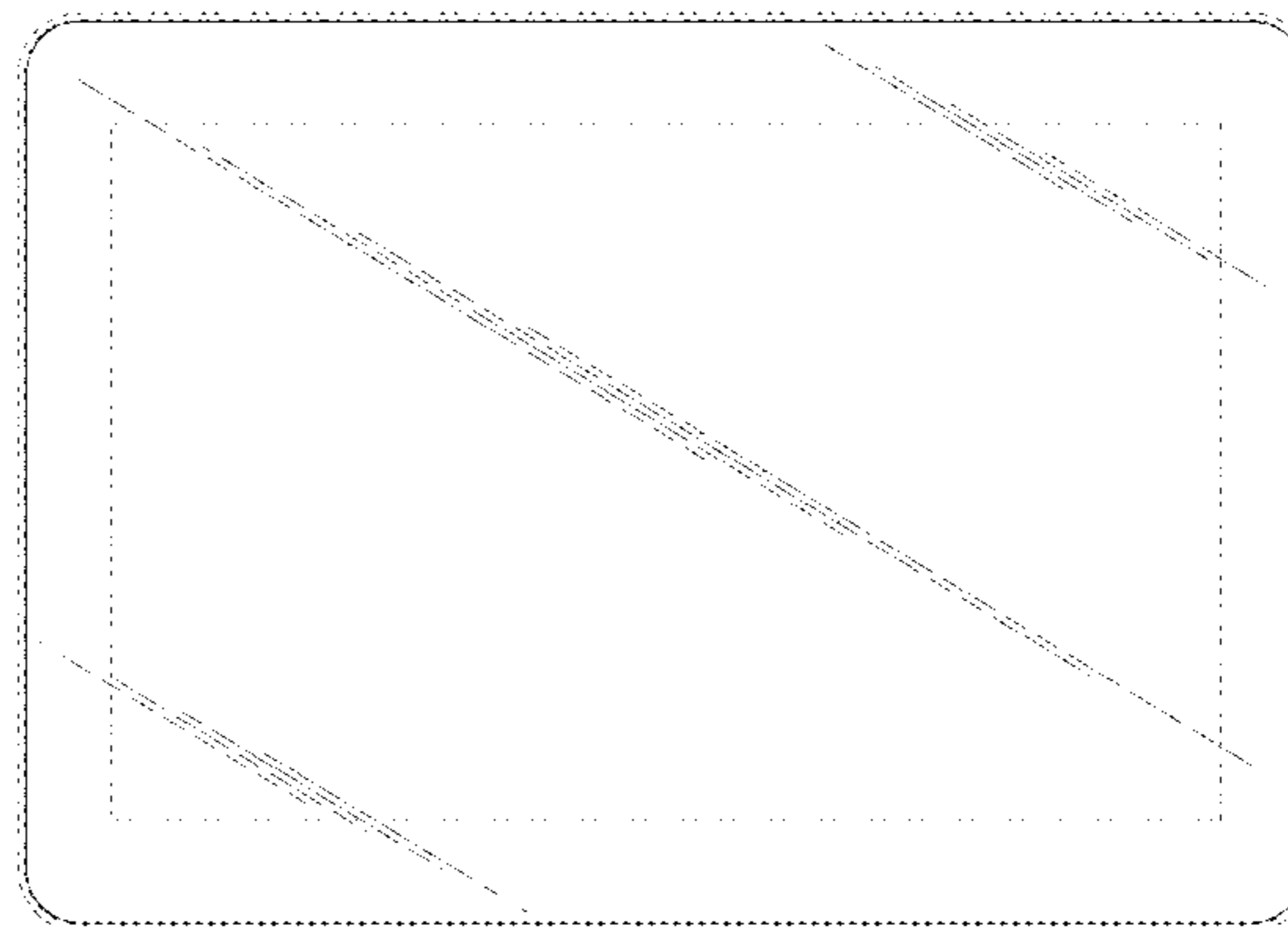
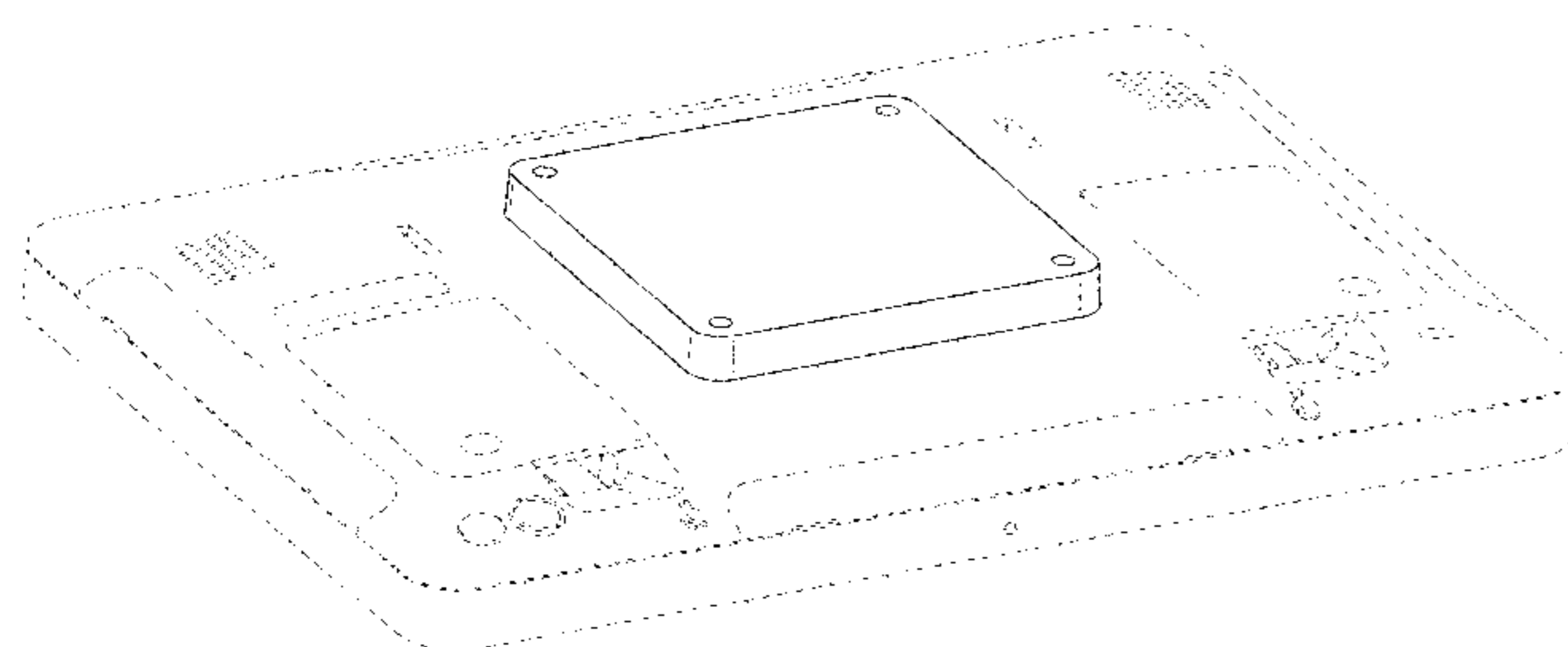
The ornamental design for a display with power module, as shown and described.

DESCRIPTION

FIG. 1 is a bottom rear perspective view of a display with power over ethernet module showing the claimed design; FIG. 2 is a front view thereof; FIG. 3 is a rear view thereof; FIG. 4 is a left side view thereof; FIG. 5 is a right side view thereof; FIG. 6 is a top view thereof; and, FIG. 7 is a bottom view thereof.

The broken lines in the figures show portions of the display with power over ethernet module that form no part of the claimed design.

1 Claim, 5 Drawing Sheets



(56)

References Cited

U.S. PATENT DOCUMENTS

8,837,132 B2 * 9/2014 Lin H05K 5/0204
361/679.01
D733,591 S * 7/2015 Golden D10/50
9,629,264 B2 * 4/2017 Le G02F 1/0105
D786,803 S * 5/2017 Kim D13/168

OTHER PUBLICATIONS

Elo E222370 Interactive Digital Signage 4602L Infrared 46" 1080p LED-Backlit LCD Flat Panel Touchscreen Display Black, posted Apr. 21, 2016, [retrieved Sep. 23, 2018]. Retrieved from Internet, <URL: <https://www.amazon.com/E222370-Interactive-Infrared-LED-Backlit-Touchscreen/dp/B01EMY47FI> >.*

Elo Touch E396119 2002L 19.5" wide LCD Desktop, Full-HD, mini-VG, posted Sep. 11, 2016, [retrieved Sep. 23, 2018]. Retrieved from Internet, <URL: <https://www.amazon.co.uk/Touch-E396119-Desktop-Full-HD-mini-VG/dp/B01FRBJ7Y6> >.*

Elo E107766 Desktop Touchmonitors 2201 L IntelliTouch Plus 22" LED-Backlit LCD Monitor, Black, posted Jul. 27, 2011, [retrieved Sep. 23, 2018]. Retrieved from Internet, <URL: <https://www.amazon.com/E107766-Desktop-Touchmonitors-IntelliTouch-LED-Backlit/dp/B005GKSBTG> >.*

Wikipedia, "Power over Ethernet," <https://en.wikipedia.org/wiki/Power_over_Ethernet>, dated Nov. 12, 2017.

ZXTECH, "5xZxtech MonsterVision 2MP and 8 Channel Full HD NVR HDMI P2P Complete POE IP CCTV System 2TB Hard Drive," amazon.com, <https://www.amazon.co.uk/Zxtech-MonsterVision-Channel-Complete-System/dp/B0165M1YAQ/ref=lp_7122863031_1_3?srs=7122863031&ie=UTF8&qid=1513793473&sr=8-3>, first available on Oct. 4, 2015, accessed Dec. 20, 2017.

* cited by examiner

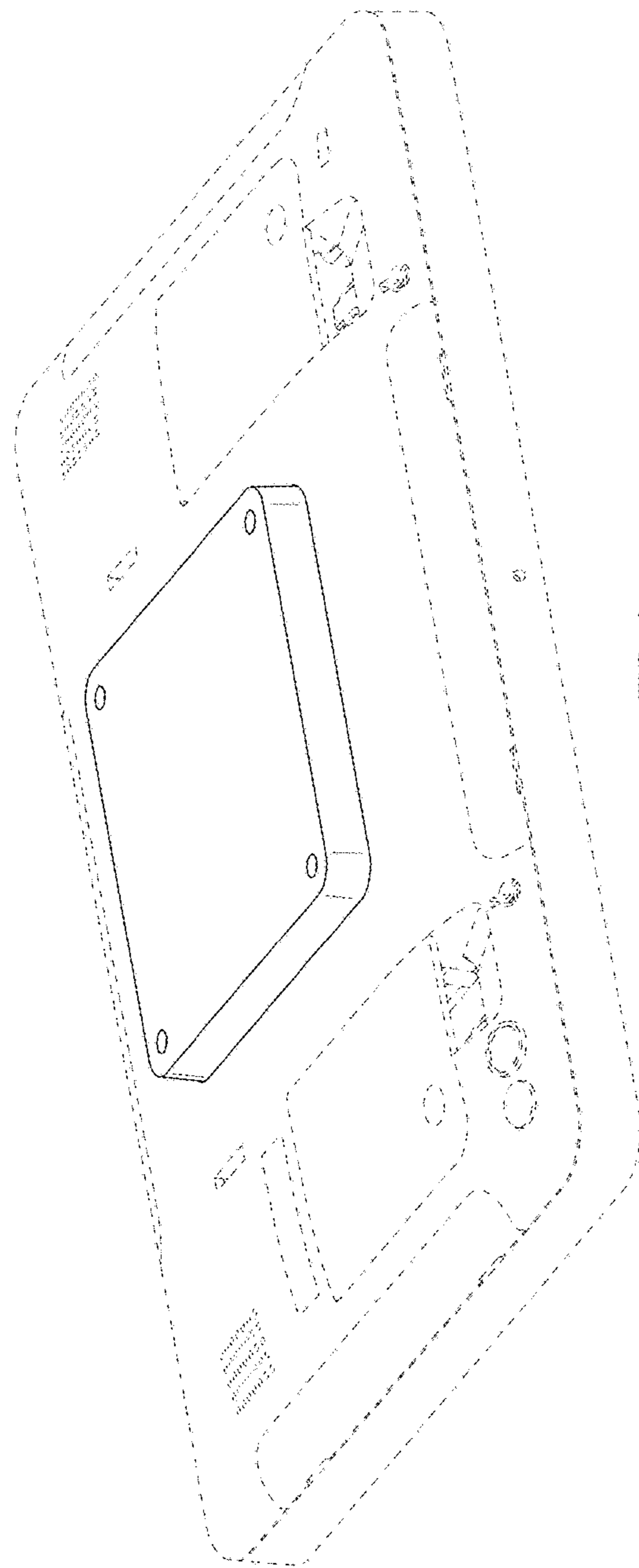


FIG. 1

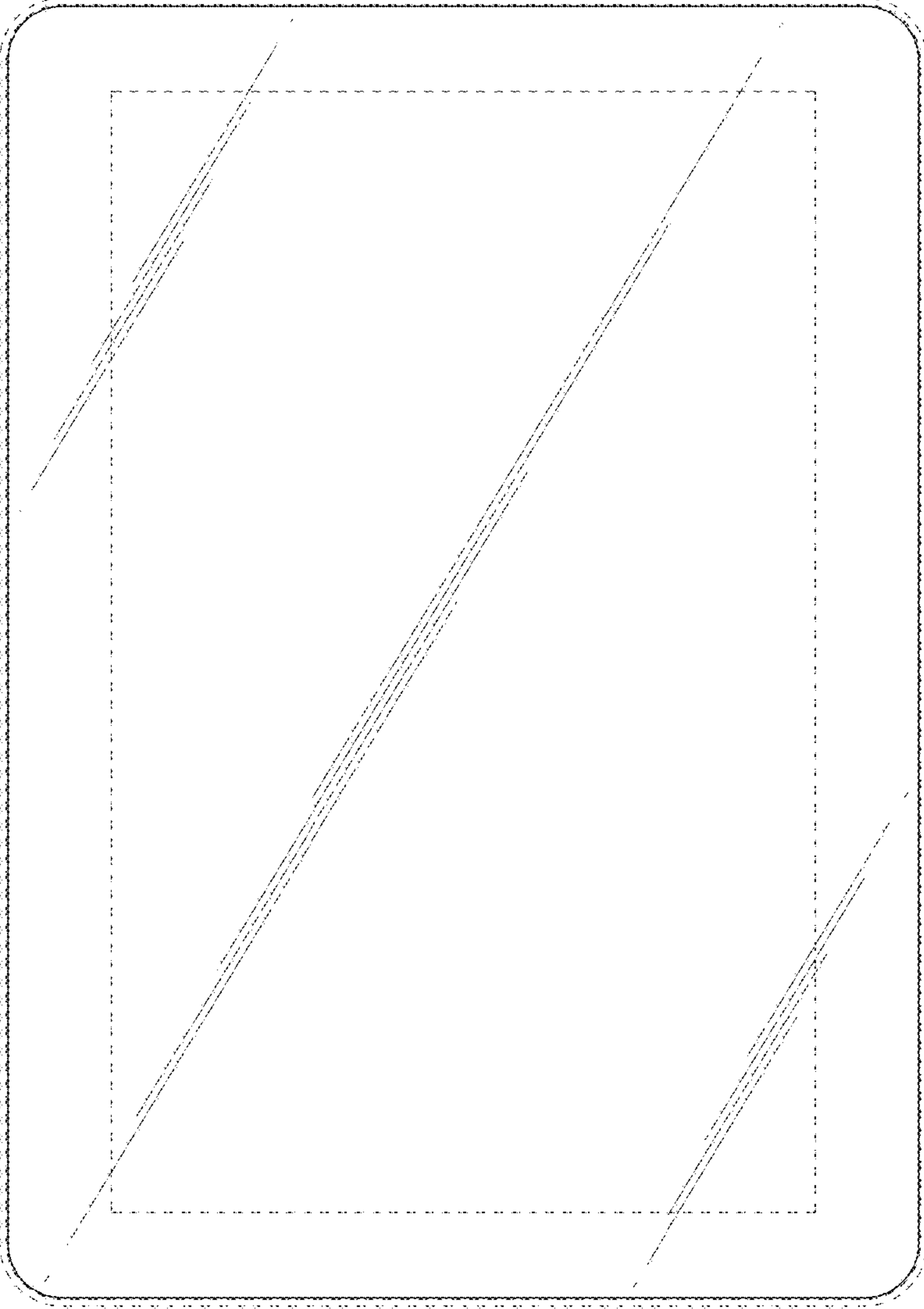


FIG. 2

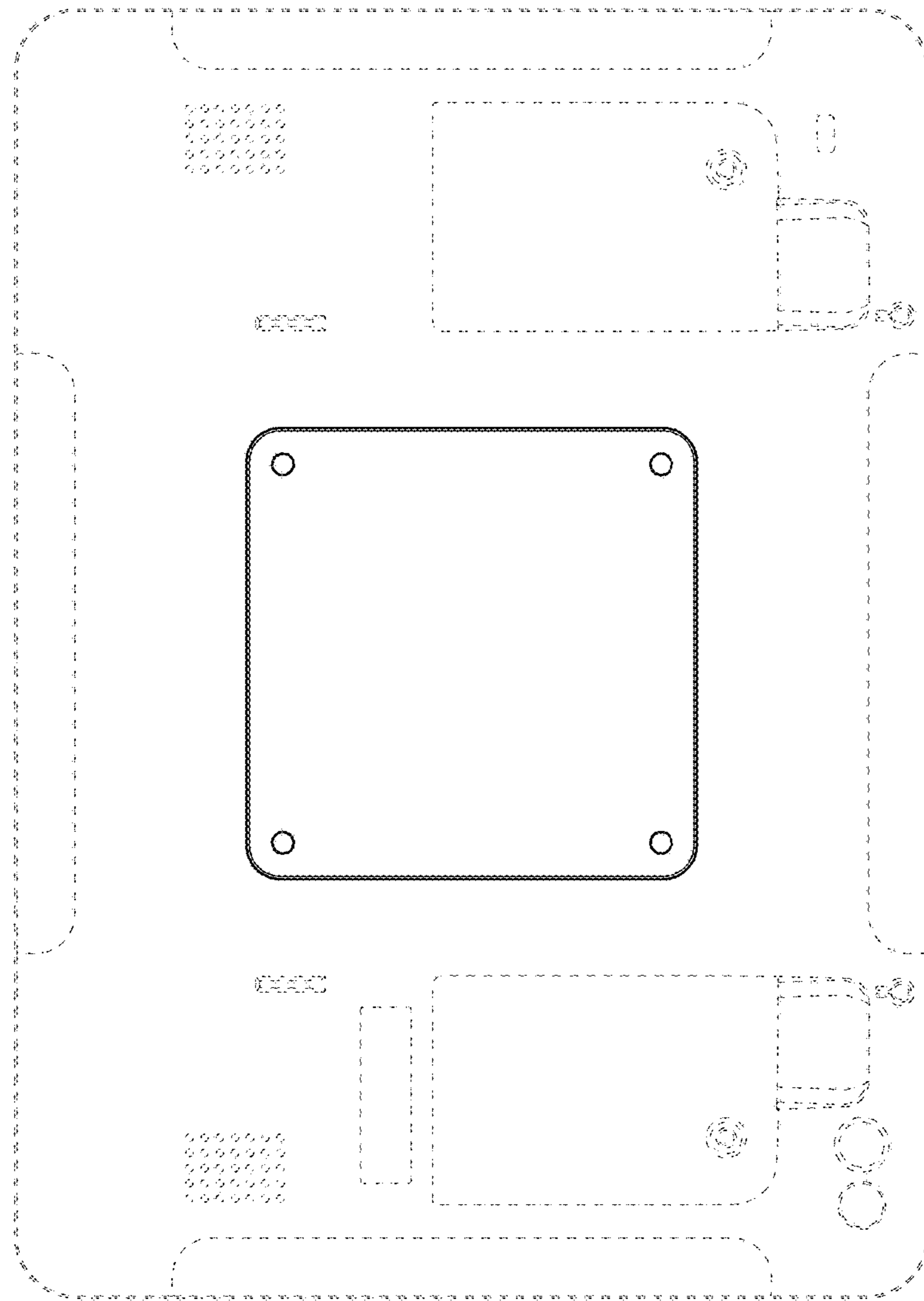


FIG. 3

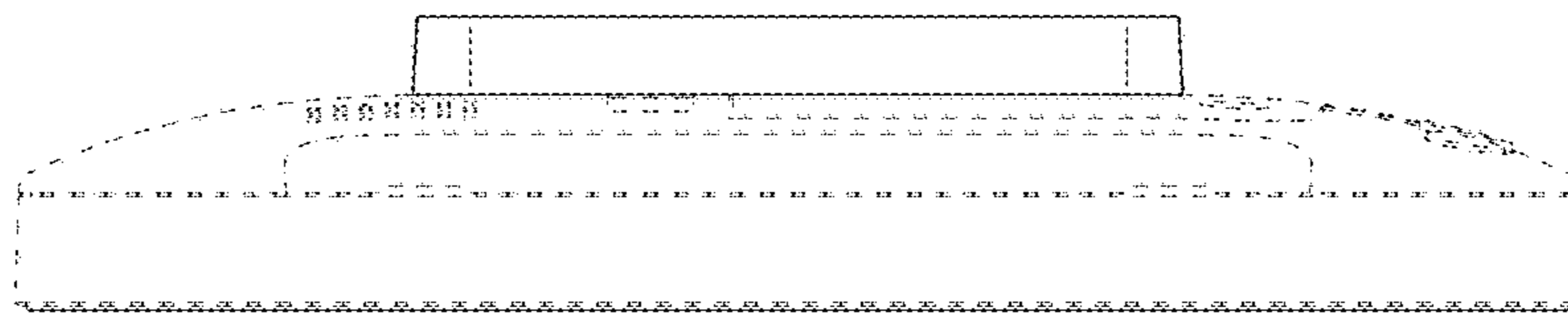


FIG. 5

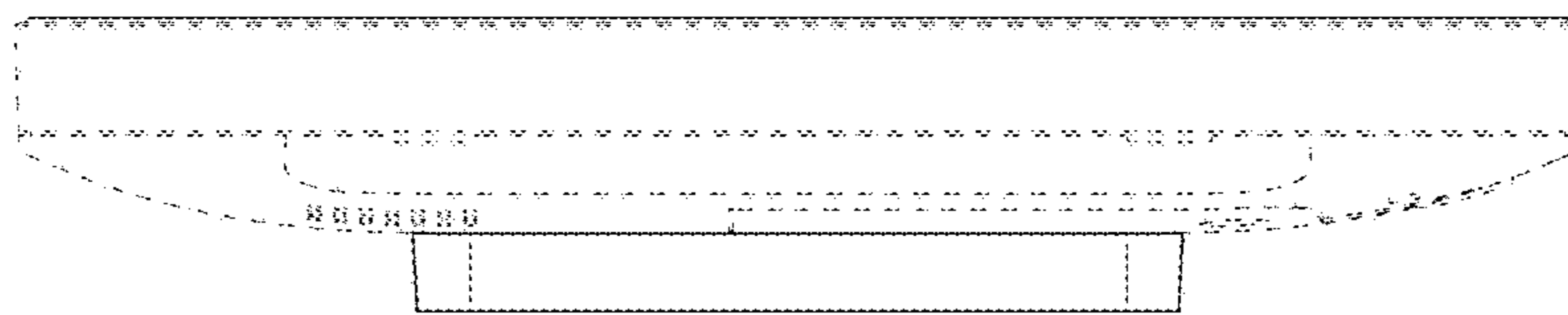


FIG. 4

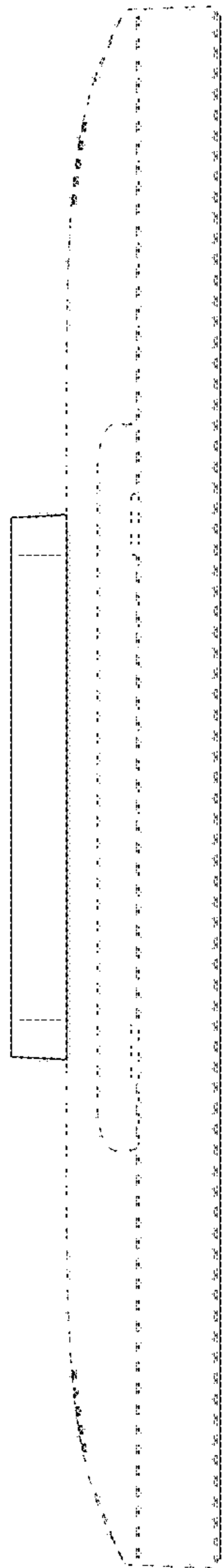


FIG. 6

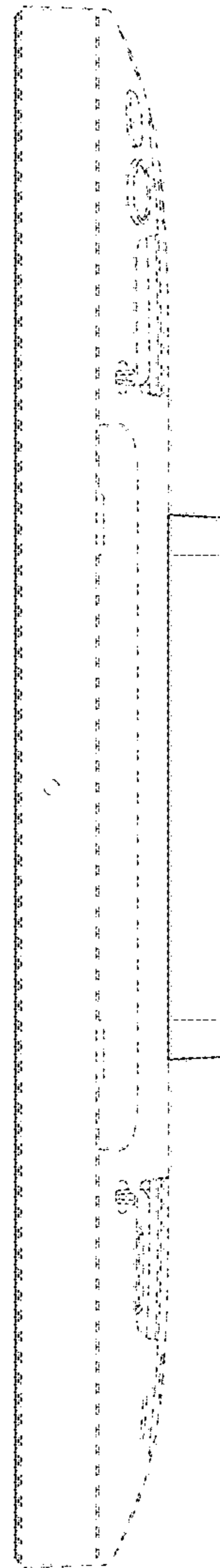


FIG. 7

UNITED STATES PATENT AND TRADEMARK OFFICE
CERTIFICATE OF CORRECTION

PATENT NO. : D864,194 S
APPLICATION NO. : 29/628625
DATED : October 22, 2019
INVENTOR(S) : Brian Perry

Page 1 of 1

It is certified that error appears in the above-identified patent and that said Letters Patent is hereby corrected as shown below:

On the Title Page

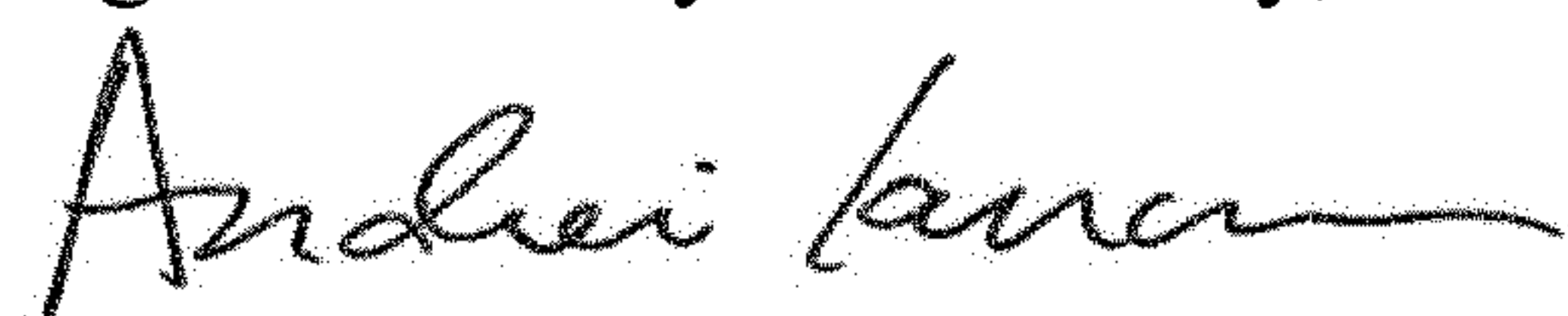
In the "Description" section, please replace paragraph 1, "FIG. 1 is a bottom rear perspective view of a display with power over ethernet module showing the claimed design;" with:

--FIG. 1 is a bottom rear perspective view of a display with power module showing the claimed design;--

In the "Description" section, please replace paragraph 8, "The broken lines in the figures show portions of the display with power over ethernet module that form no part of the claimed design." with:

--The broken lines in the figures show portions of the display with power module that form no part of the claimed design.--

Signed and Sealed this
Eighteenth Day of February, 2020



Andrei Iancu
Director of the United States Patent and Trademark Office