

US00D864192S

(12) **United States Design Patent**
Suzuki

(10) **Patent No.:** **US D864,192 S**

(45) **Date of Patent:** **** Oct. 22, 2019**

(54) **DIGITAL AUDIO DISC PLAYER FOR VEHICLE**

(71) Applicant: **JVC KENWOOD Corporation**,
Yokohama-shi, Kanagawa (JP)

(72) Inventor: **Yasuhiro Suzuki**, Yokohama (JP)

(73) Assignee: **JVC KENWOOD Corporation**,
Yokohama-shi (JP)

(**) Term: **15 Years**

(21) Appl. No.: **29/657,446**

(22) Filed: **Jul. 23, 2018**

(30) **Foreign Application Priority Data**

Jan. 26, 2018 (JP) 2018-001485

(51) **LOC (12) Cl.** **14-03**

(52) **U.S. Cl.**
USPC **D14/258**

(58) **Field of Classification Search**
USPC D12/192, 195, 415, 420; D14/154, 157,
D14/168-171, 188-198, 257-258, 496;
248/27.1, 27.3, 558; 455/347, 350
CPC B60R 11/02; B60K 37/02; B60K 37/04;
B60K 37/06; B60K 35/00; H04B 1/06;
H04B 1/08; H04B 1/082
See application file for complete search history.

(56) **References Cited**

U.S. PATENT DOCUMENTS

D565,043 S * 3/2008 Shiono D14/258
D565,535 S * 4/2008 Muto D14/157
D567,812 S * 4/2008 Kimura D14/258

D585,403 S * 1/2009 Wada D14/500
D587,674 S * 3/2009 Uehara D14/157
D602,928 S * 10/2009 Kimura D14/157
D637,993 S * 5/2011 Yamamoto D14/157
D671,906 S * 12/2012 Kimura D14/157
D672,743 S * 12/2012 Suzuki D14/157
D682,261 S * 5/2013 Miyawaki D14/258
D722,585 S * 2/2015 Suzuki D14/157
D775,121 S * 12/2016 Suzuki D14/258
D817,320 S * 5/2018 Choe D14/258
D823,848 S * 7/2018 Katsuno D14/258

FOREIGN PATENT DOCUMENTS

JP 1586401 9/2017

* cited by examiner

Primary Examiner — Sandra L Morris

(74) *Attorney, Agent, or Firm* — Amin, Turocy & Watson
LLP

(57) **CLAIM**

The ornamental design for a digital audio disc player for vehicle, as shown and described.

DESCRIPTION

FIG. 1 is a front, top and right-side perspective view of a digital audio disc player for vehicle showing my new design; FIG. 2 is a front elevational view thereof; FIG. 3 is a rear elevational view thereof; FIG. 4 is a top plan view thereof; FIG. 5 is a bottom plan view thereof; FIG. 6 is a right-side elevational view thereof; and, FIG. 7 is a left-side elevational view thereof. The broken lines of the drawings represent portions of the digital audio disc player for vehicle that are not part of the claimed design.

1 Claim, 7 Drawing Sheets

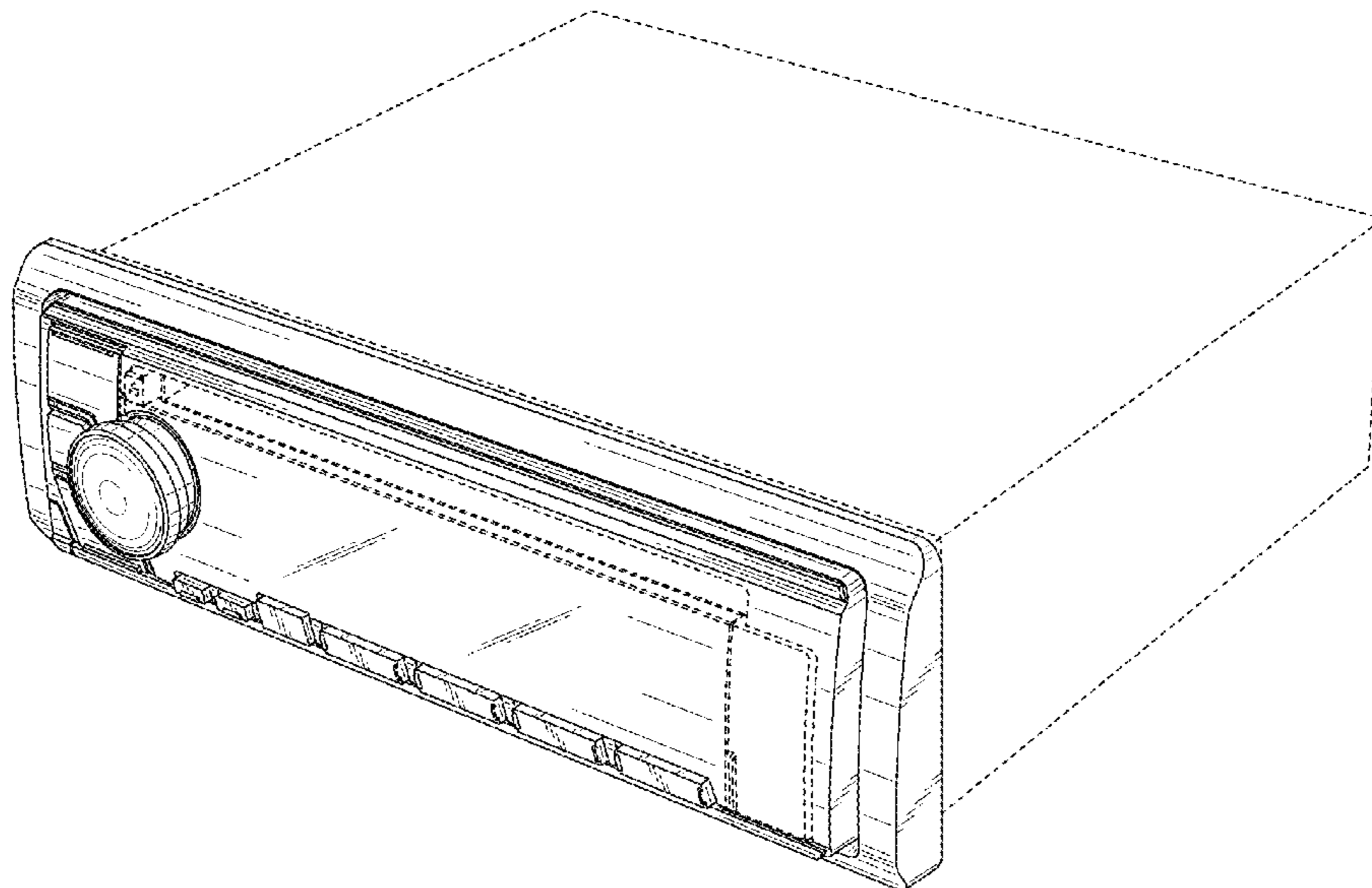


FIG. 1

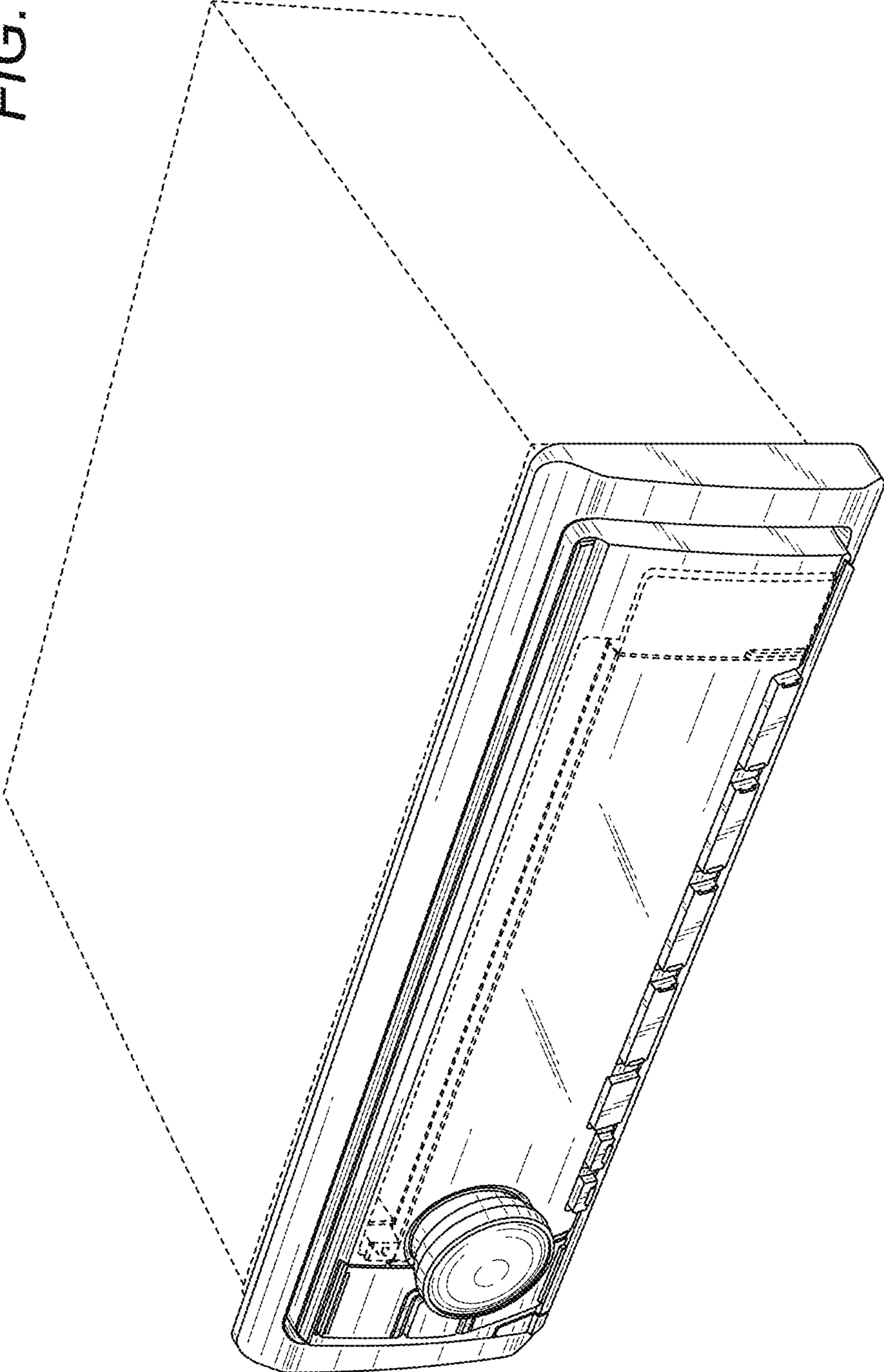


FIG. 2

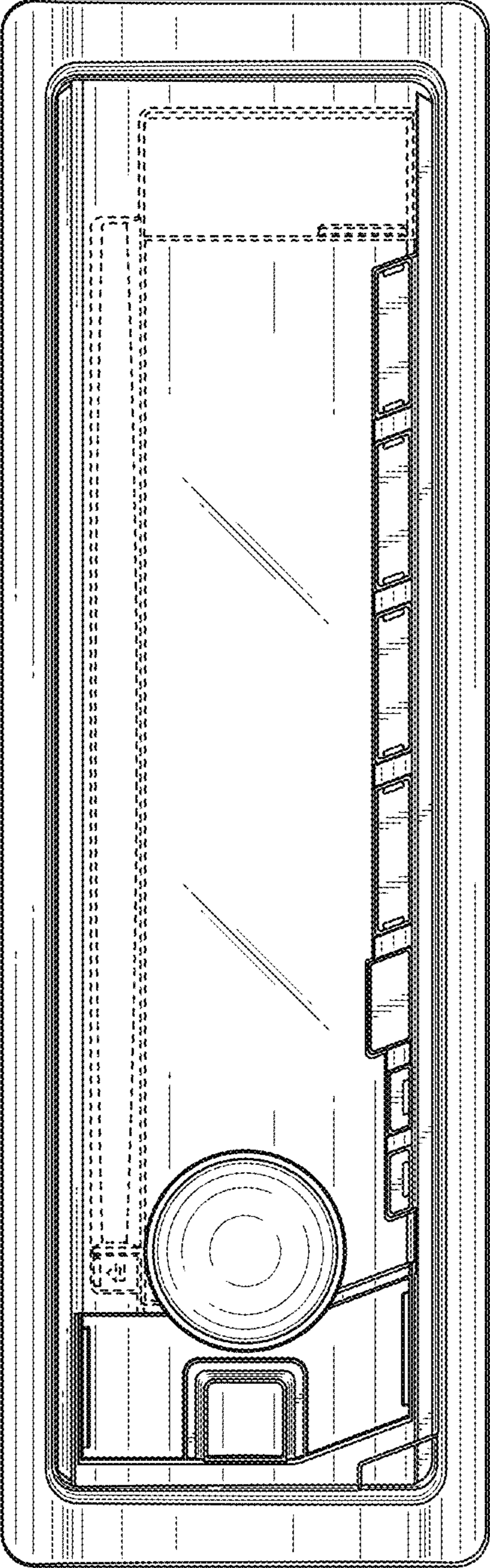
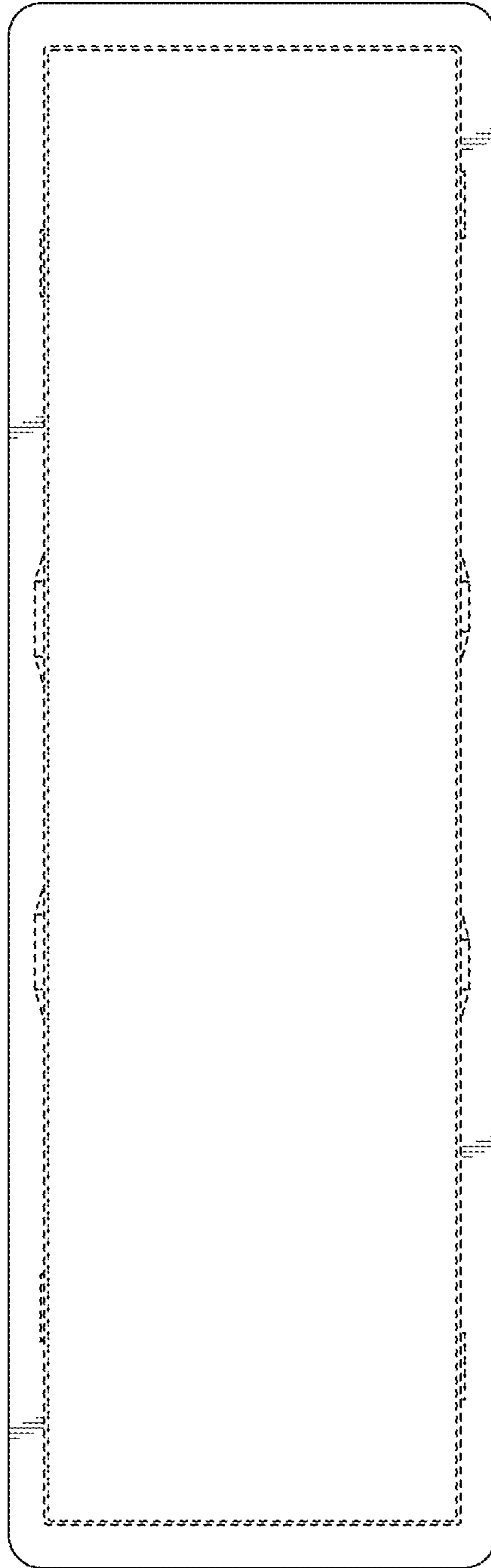


FIG. 3



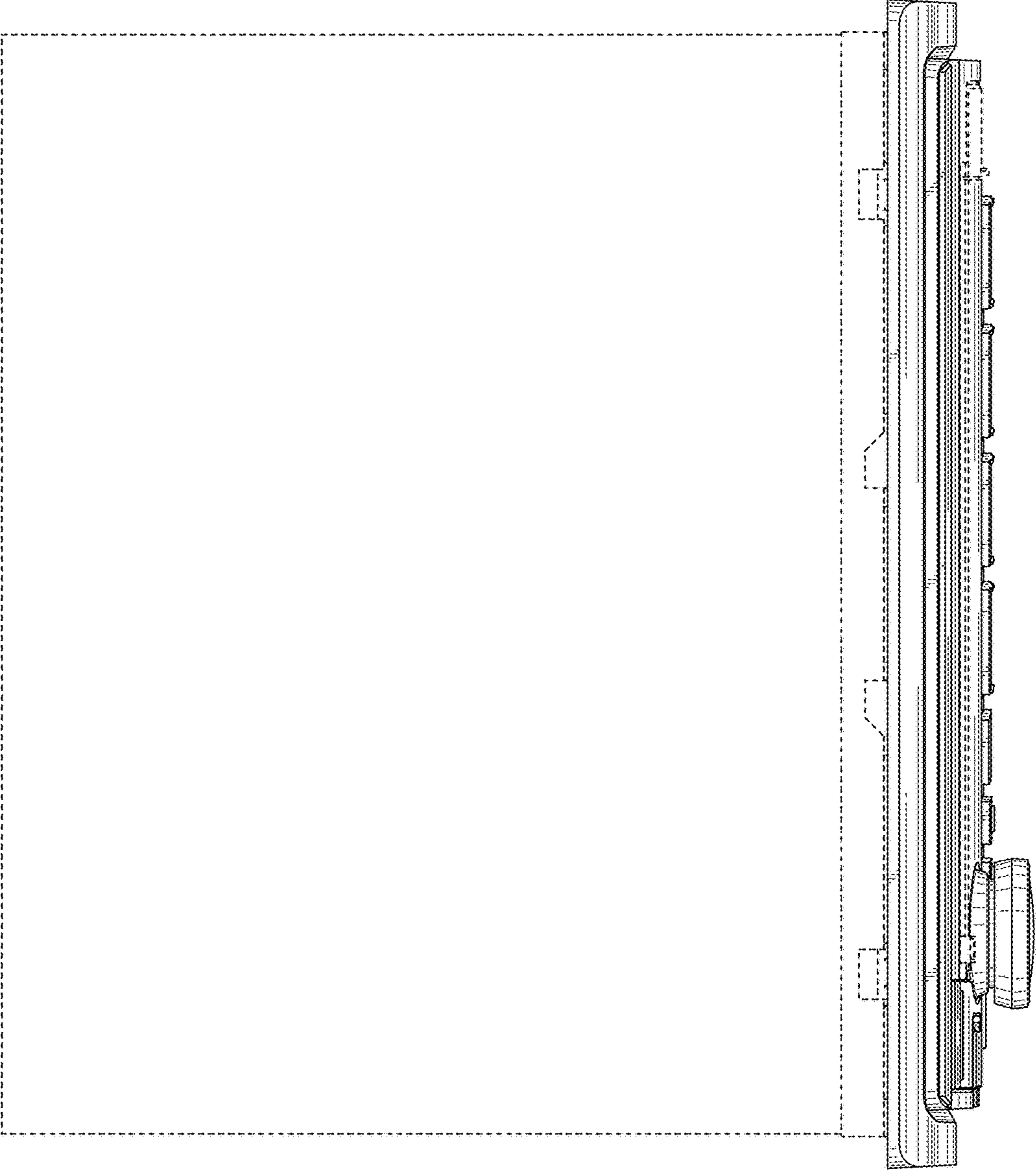


FIG. 4

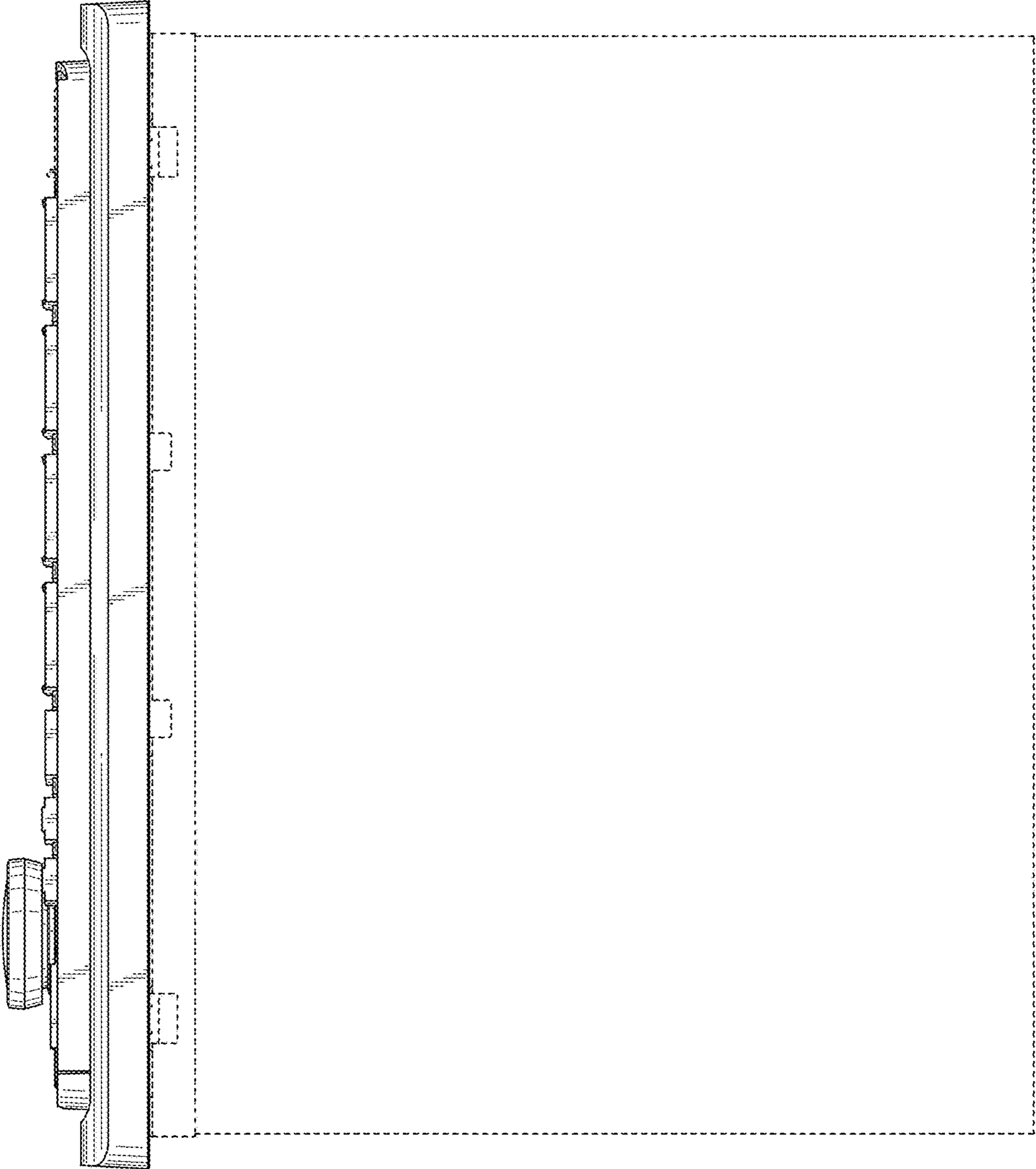
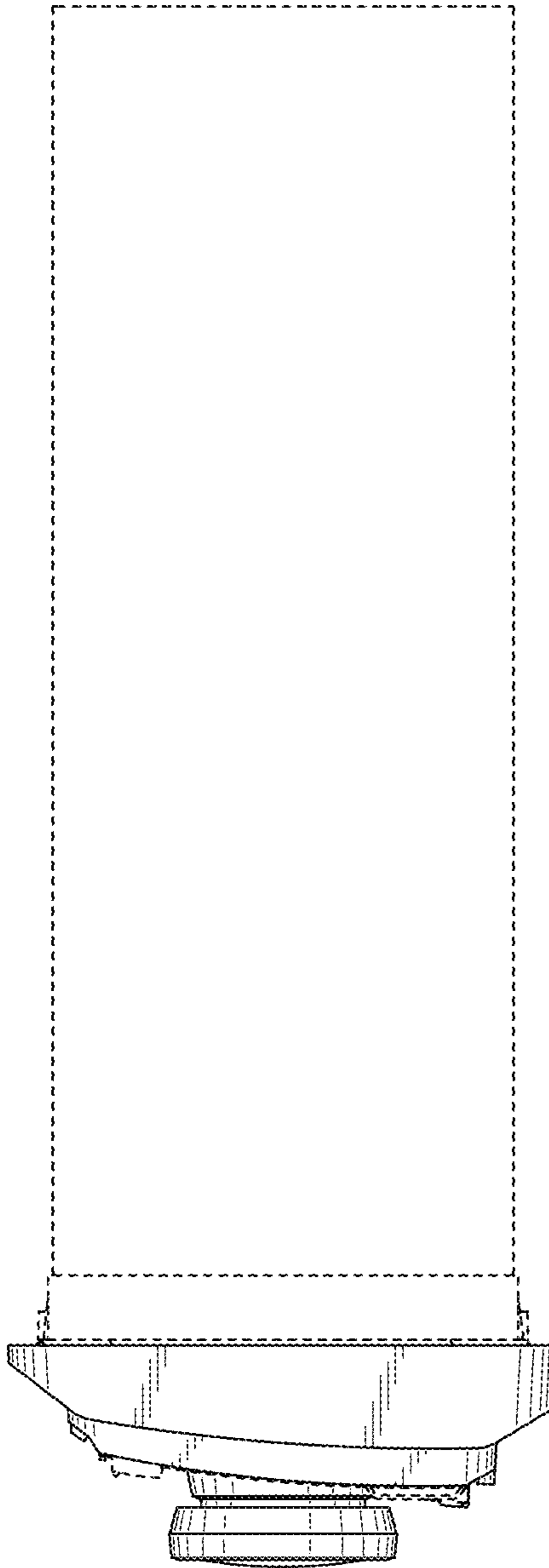


FIG. 5

FIG. 6



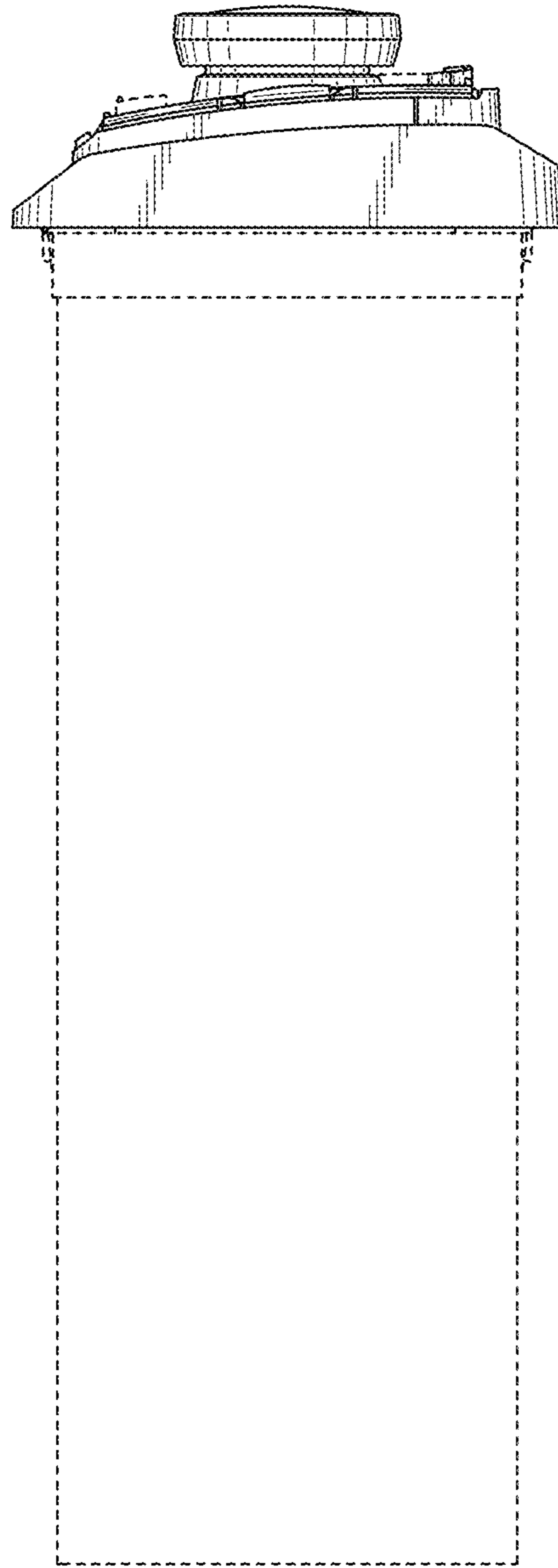


FIG. 7