



US00D864191S

(12) **United States Design Patent**  
**Sakata**

(10) **Patent No.:** **US D864,191 S**

(45) **Date of Patent:** **\*\* Oct. 22, 2019**

(54) **DIGITAL AUDIO DISC PLAYER FOR VEHICLE**

(71) Applicant: **JVC KENWOOD Corporation**,  
Yokohama-shi, Kanagawa (JP)

(72) Inventor: **Yu Sakata**, Yokohama (JP)

(73) Assignee: **JVC KENWOOD Corporation**,  
Yokohama-shi (JP)

(\*\*) Term: **15 Years**

(21) Appl. No.: **29/657,445**

(22) Filed: **Jul. 23, 2018**

(30) **Foreign Application Priority Data**

Feb. 7, 2018 (JP) ..... 2018-002373

(51) **LOC (12) Cl.** ..... **14-03**

(52) **U.S. Cl.**  
USPC ..... **D14/258; D14/203.7**

(58) **Field of Classification Search**

USPC ..... D12/192, 195, 415, 420; D14/154, 157,  
D14/168-171, 188-198, 203.7, 257-258,  
D14/496; 248/27.1, 27.3, 558; 455/347,  
455/350; D10/65

CPC ..... B60R 11/02; B60K 37/04; B60K 37/06;  
B60K 35/00; B60K 37/02; H04B 1/06;  
H04B 1/08; H04B 1/082; G11B 33/02

See application file for complete search history.

(56) **References Cited**

**U.S. PATENT DOCUMENTS**

D559,228 S \* 1/2008 Iwamoto ..... D14/157  
D572,219 S \* 7/2008 Shimizu ..... D14/500

D608,230 S \* 1/2010 Sugita ..... D10/65  
D630,184 S \* 1/2011 Tomono ..... H04B 1/082  
D14/157  
D653,132 S \* 1/2012 Shimizu ..... D10/65  
D673,472 S \* 1/2013 Sugita ..... D10/65  
D689,384 S \* 9/2013 Morikawa ..... D10/65  
D693,704 S \* 11/2013 Katsuno ..... D10/65  
D698,671 S \* 2/2014 Takahara ..... D10/65  
D713,400 S \* 9/2014 Kanou ..... D14/258  
D737,859 S \* 9/2015 Morikawa ..... D14/496  
9,363,907 B2 \* 6/2016 Hondo ..... H04B 1/082  
D775,604 S \* 1/2017 Kimura ..... D14/203.7  
D793,886 S \* 8/2017 Ichikawa ..... D10/65  
D817,321 S \* 5/2018 Sakata ..... D14/258

\* cited by examiner

*Primary Examiner* — Sandra L Morris

(74) *Attorney, Agent, or Firm* — Amin, Turocy & Watson  
LLP

(57) **CLAIM**

The ornamental design for a digital audio disc player for vehicle, as shown and described.

**DESCRIPTION**

FIG. 1 is a front, top and left-side perspective view of a digital audio disc player for vehicle showing my new design; FIG. 2 is a front elevational view thereof; FIG. 3 is a rear elevational view thereof; FIG. 4 is a top plan view thereof; FIG. 5 is a bottom plan view thereof; FIG. 6 is a right-side elevational view thereof; and, FIG. 7 is a left-side elevational view thereof.

The broken lines of the drawings represent portions of the digital audio disc player for vehicle that are not part of the claimed design.

**1 Claim, 7 Drawing Sheets**

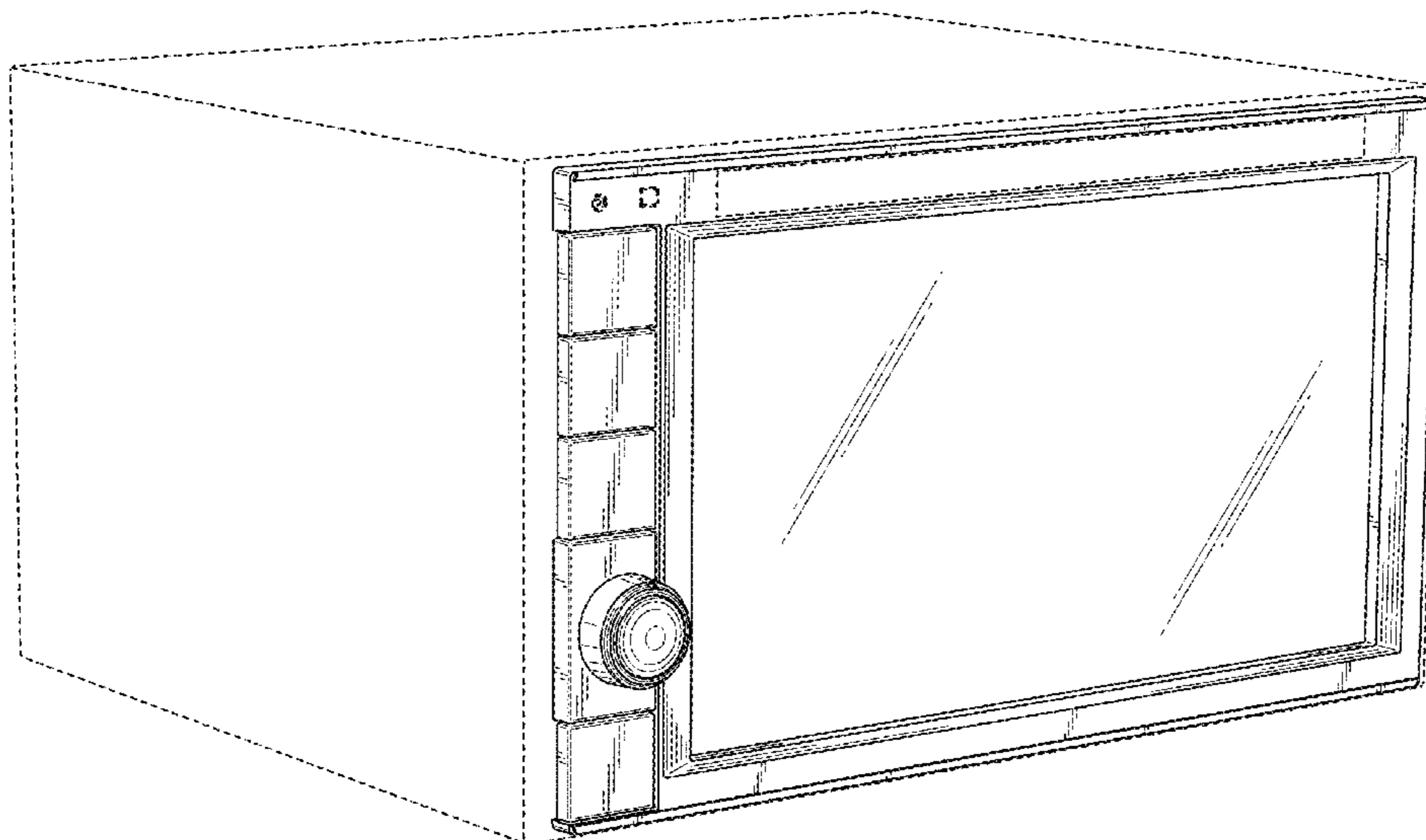


FIG. 1

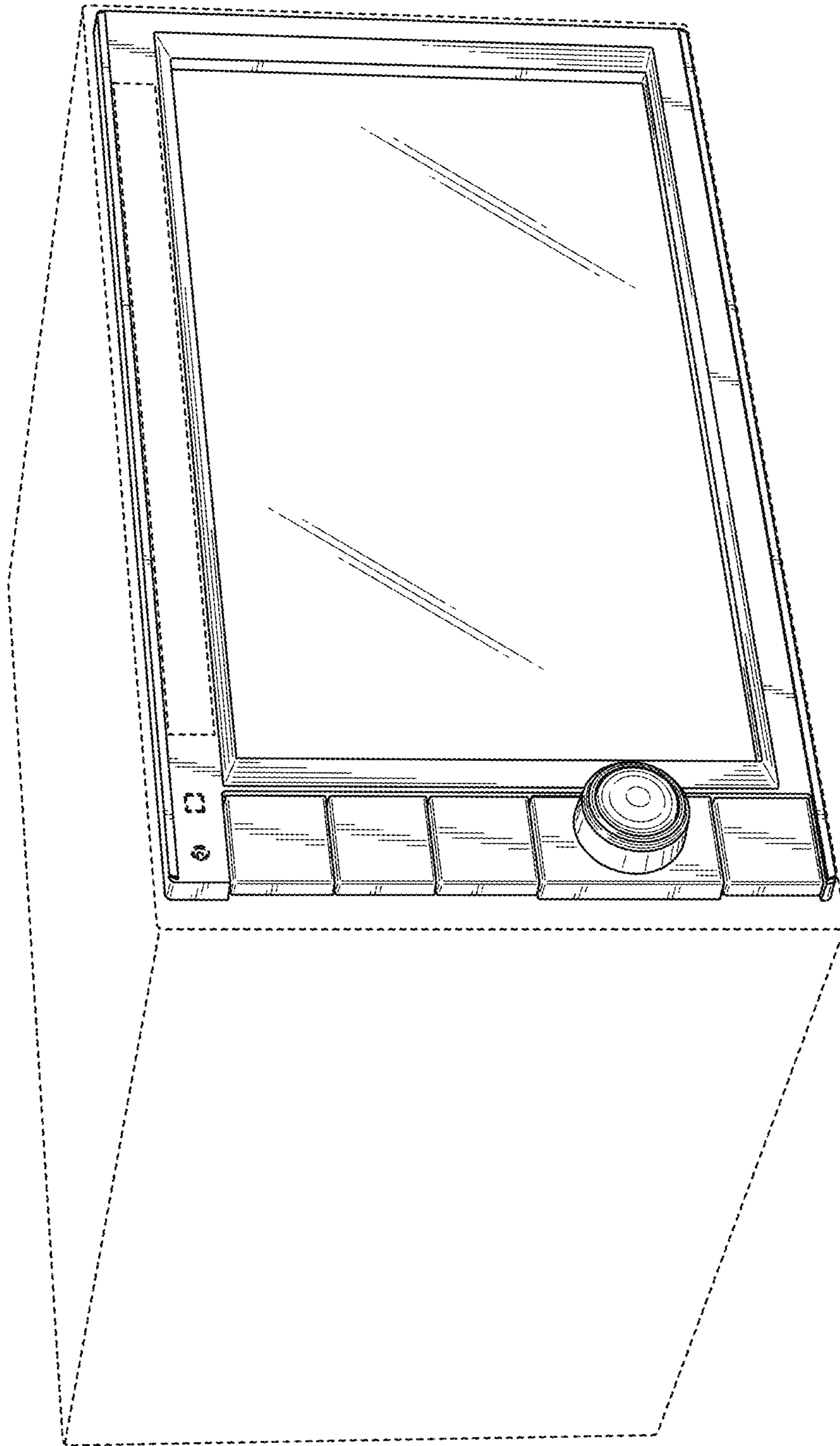


FIG. 2

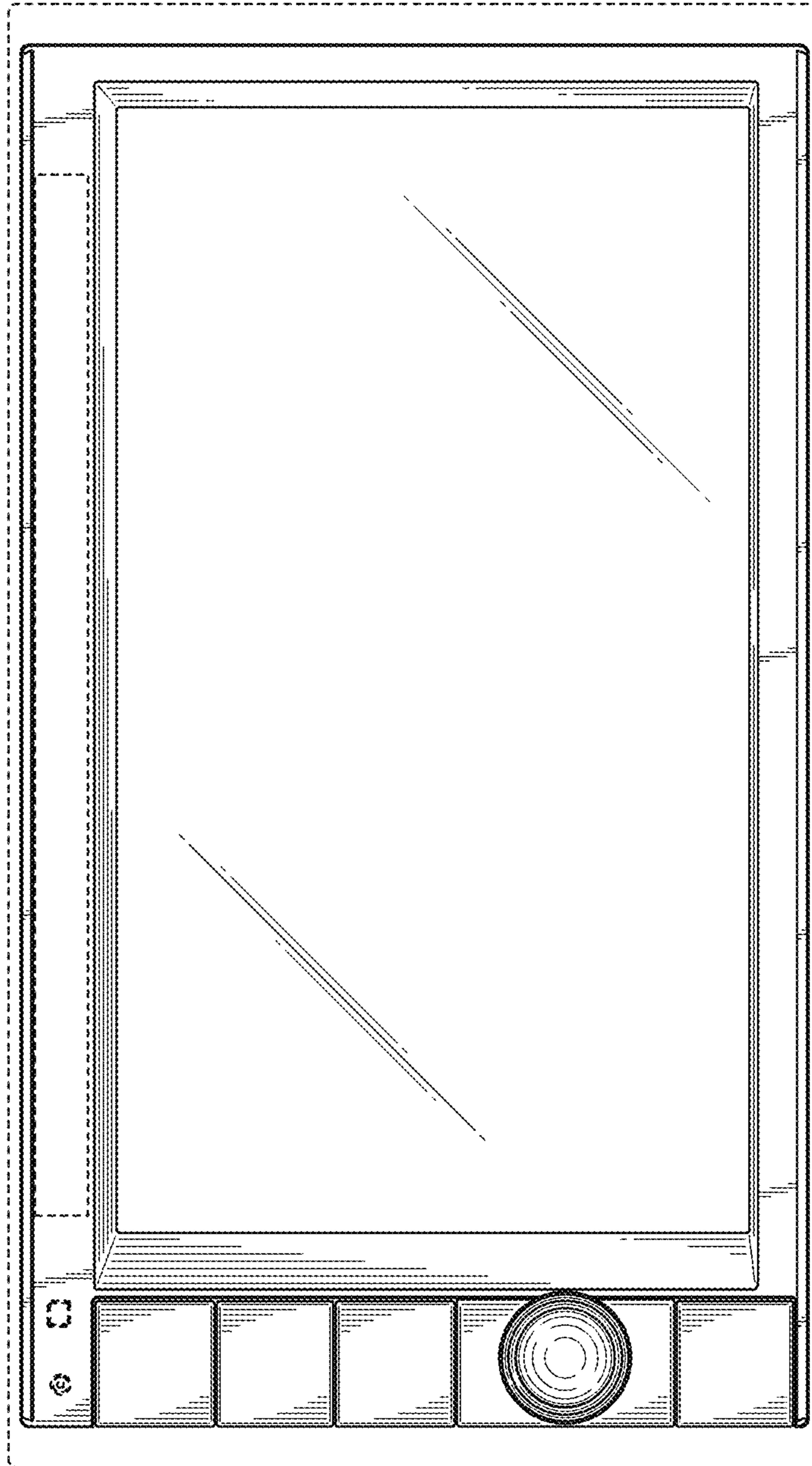


FIG. 3



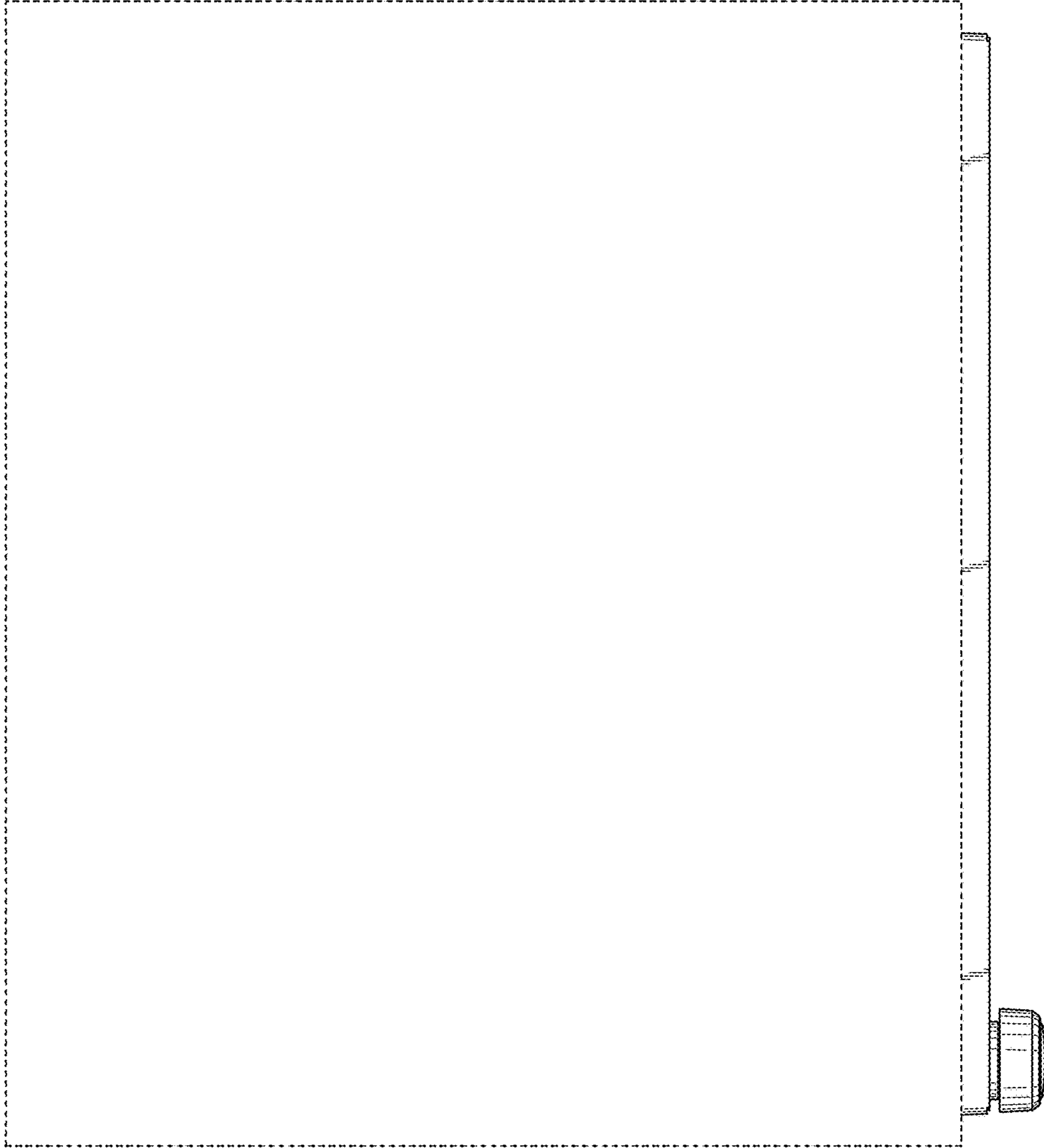


FIG. 4

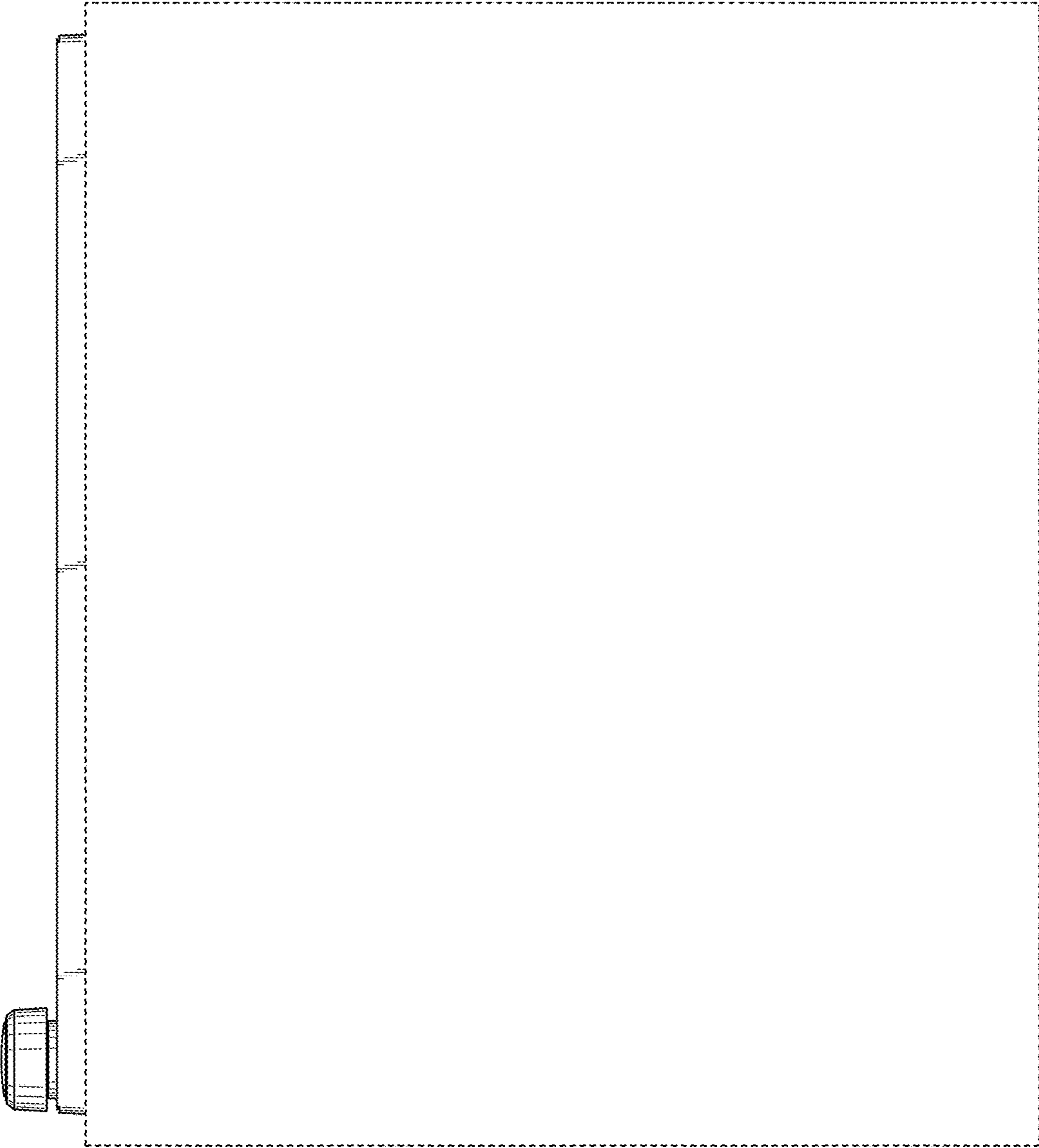


FIG. 5

FIG. 6



FIG. 7

