

US00D864188S

(12) **United States Design Patent**  
**Che**

(10) **Patent No.:** **US D864,188 S**

(45) **Date of Patent:** **\*\* Oct. 22, 2019**

(54) **CELL PHONE GRIP STAND**

(71) Applicant: **Zhiming Che**, Guangdong (CN)

(72) Inventor: **Zhiming Che**, Guangdong (CN)

(73) Assignee: **Shenzhen Icomecn Technology Co., Ltd.**, Shenzhen, Guangdong (CN)

(\*\*) Term: **15 Years**

(21) Appl. No.: **29/633,738**

(22) Filed: **Jan. 15, 2018**

(51) **LOC (12) Cl.** ..... **14-03**

(52) **U.S. Cl.**  
USPC ..... **D14/253**

(58) **Field of Classification Search**  
USPC ..... D14/251-253, 358, 432, 434, 440, 447;  
D3/218; D16/242, 243; D12/415;  
D13/107, 108  
CPC ..... A45C 11/00; A45F 5/00; F16M 11/06  
See application file for complete search history.

(56) **References Cited**

**U.S. PATENT DOCUMENTS**

D645,463 S *	9/2011	Kao	.....	D14/253
D658,168 S *	4/2012	Werth	.....	D14/253
D658,189 S *	4/2012	Zhao	.....	D14/447
D659,147 S *	5/2012	Hu	.....	D14/447
D661,647 S *	6/2012	Chen	.....	D13/108
D679,700 S *	4/2013	Werth	.....	D14/253

D685,366 S *	7/2013	Ding	.....	D14/253
D714,774 S *	10/2014	Baumann	.....	D14/253
D723,536 S *	3/2015	Werth	.....	D14/253
D753,642 S *	4/2016	Iimuro	.....	D14/253
D756,346 S *	5/2016	Kim	.....	D14/253
D815,104 S *	4/2018	Bertelle	.....	D14/447
D821,290 S *	6/2018	Jung	.....	D12/415
D821,291 S *	6/2018	Jung	.....	D12/415
D822,581 S *	7/2018	Jung	.....	D12/415
D822,582 S *	7/2018	Jung	.....	D12/415
D826,917 S *	8/2018	Zhong	.....	D14/253
D841,641 S *	2/2019	Huang	.....	D14/253
D842,851 S *	3/2019	Leitman	.....	D14/253

\* cited by examiner

*Primary Examiner* — Janice Hallmark

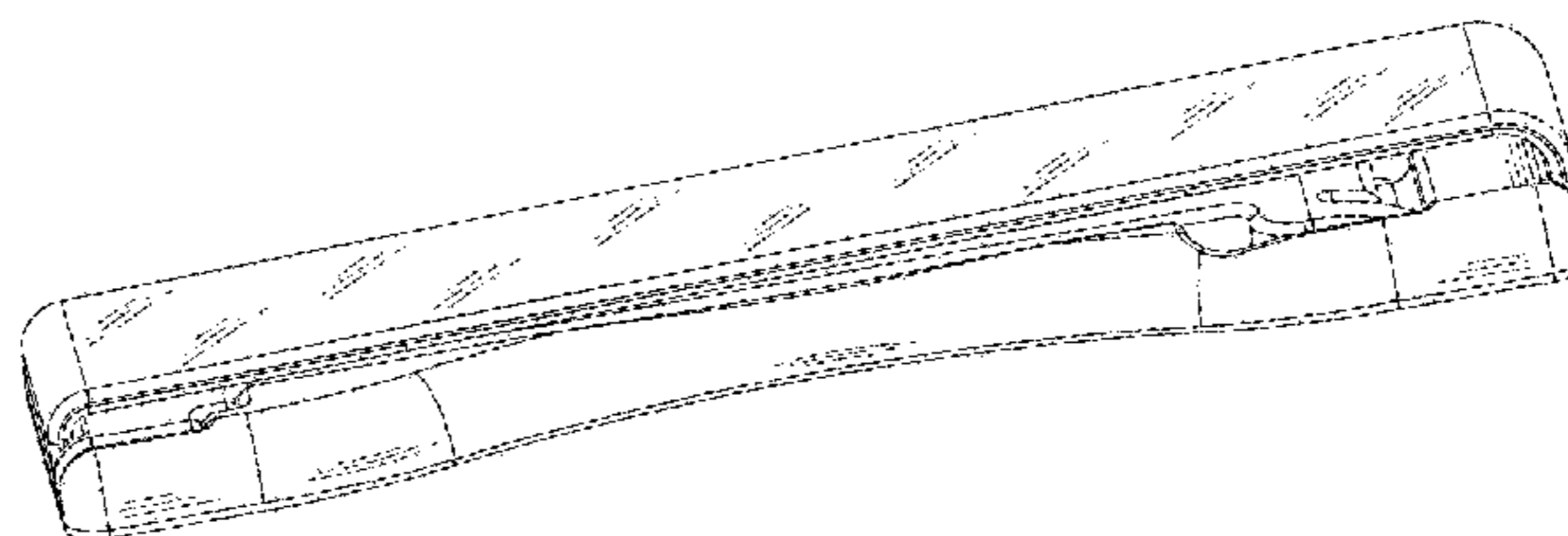
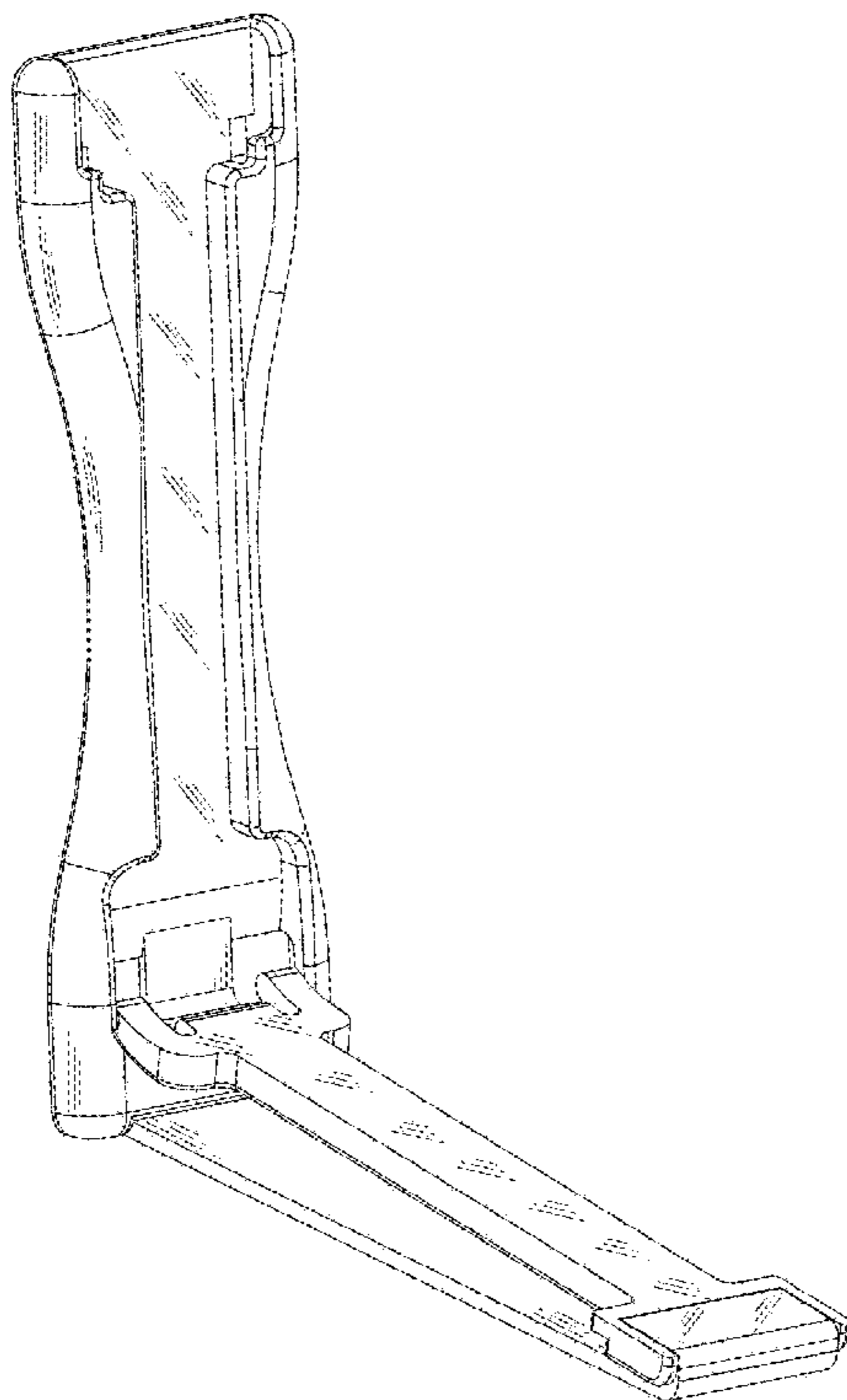
(57) **CLAIM**

I claim the ornamental design for a cell phone grip stand, as shown and described.

**DESCRIPTION**

FIG. 1 is a perspective view of a cell phone grip stand showing my new design;  
FIG. 2 is a front elevational view thereof;  
FIG. 3 is a rear elevational view thereof;  
FIG. 4 is a left side elevational view thereof;  
FIG. 5 is a right side elevational view thereof;  
FIG. 6 is a top plan view thereof;  
FIG. 7 is a bottom plan view thereof, and,  
FIG. 8 is a perspective view thereof, illustrated in a folded position.

**1 Claim, 8 Drawing Sheets**



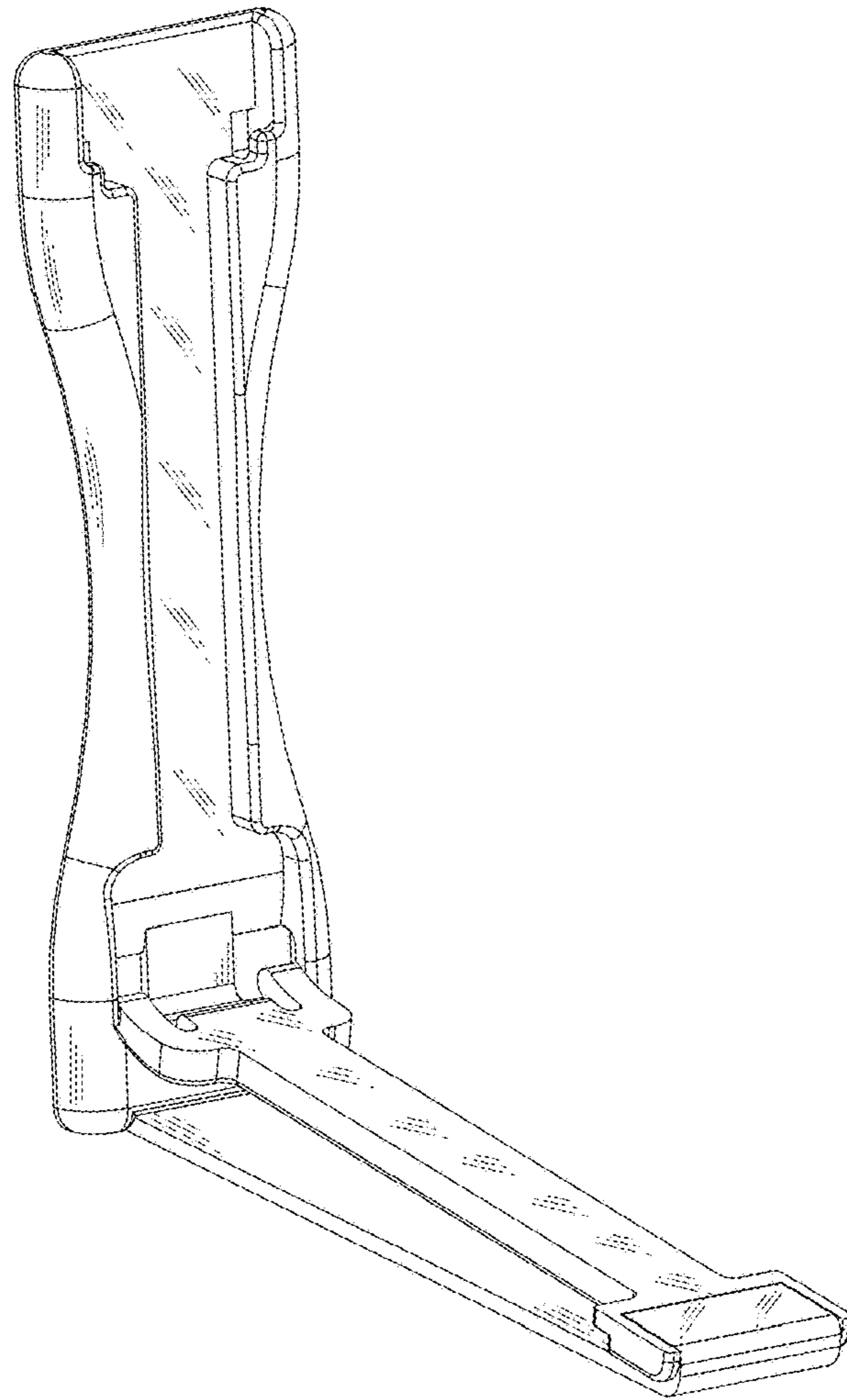


FIG.1

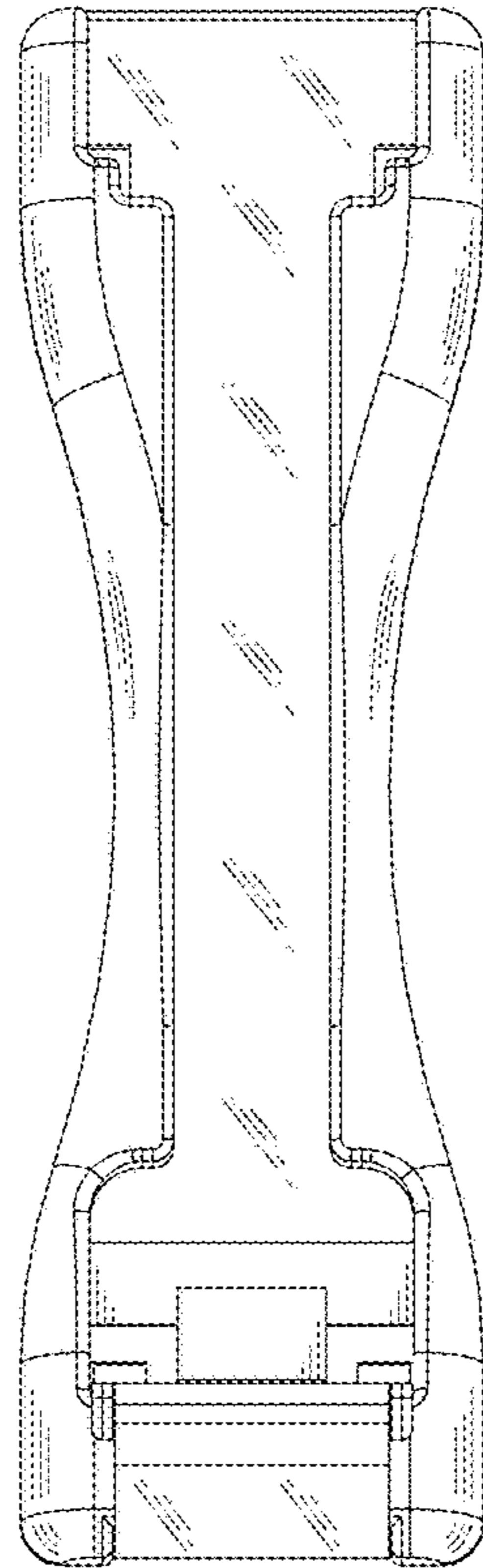


FIG.2

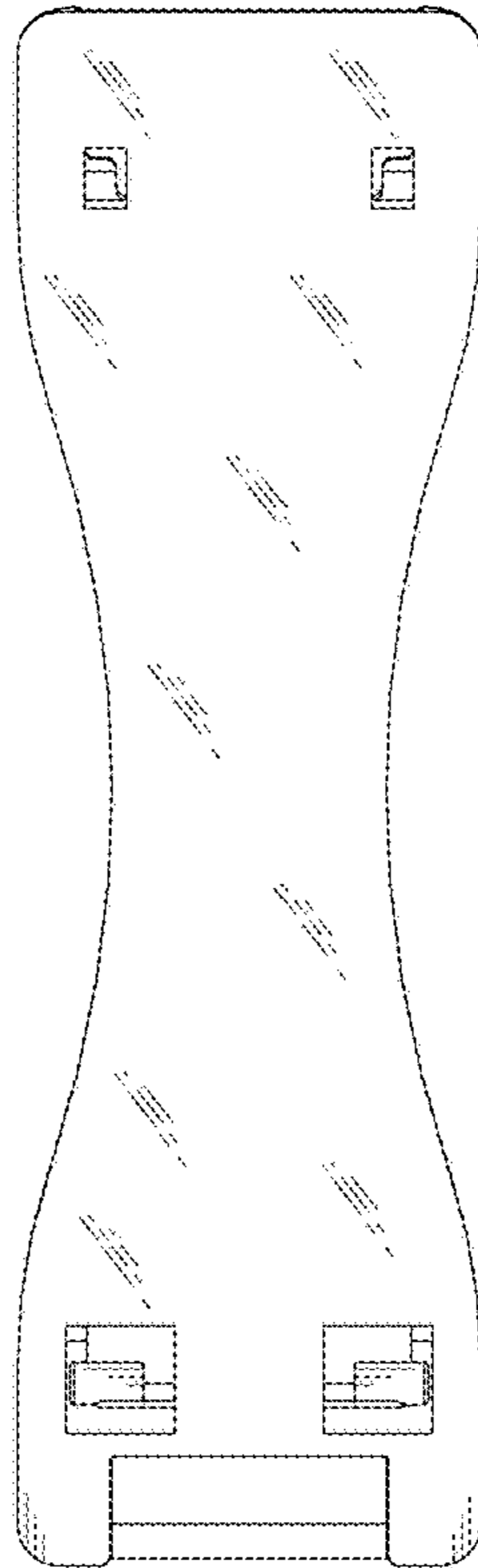


FIG.3

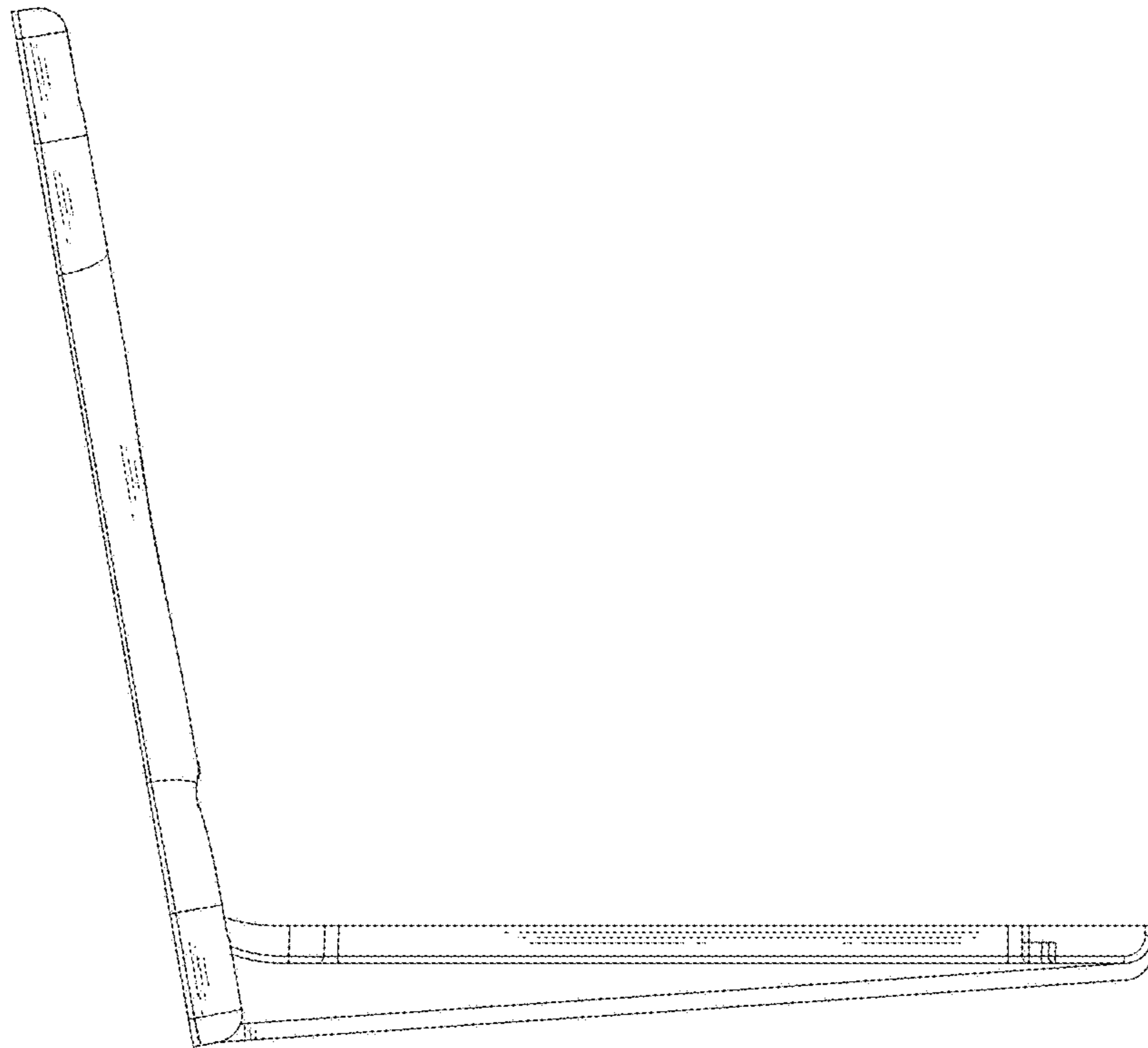


FIG.4

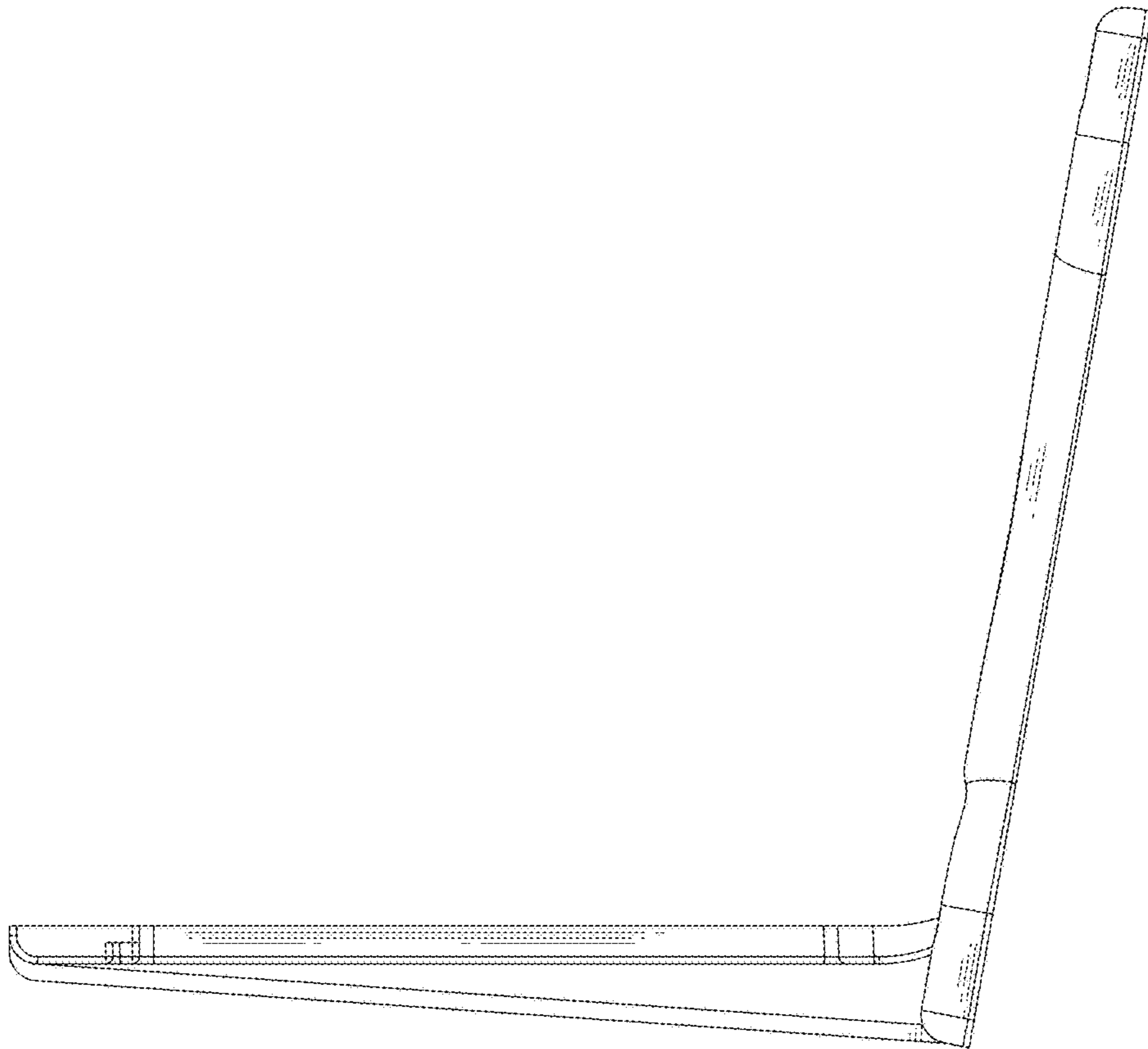


FIG.5

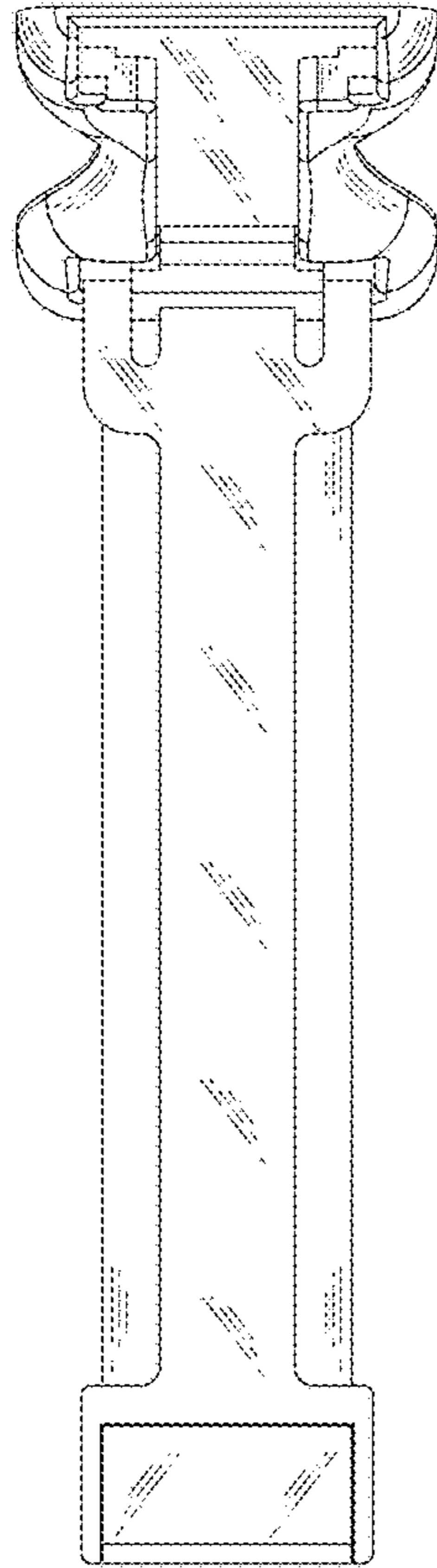


FIG.6

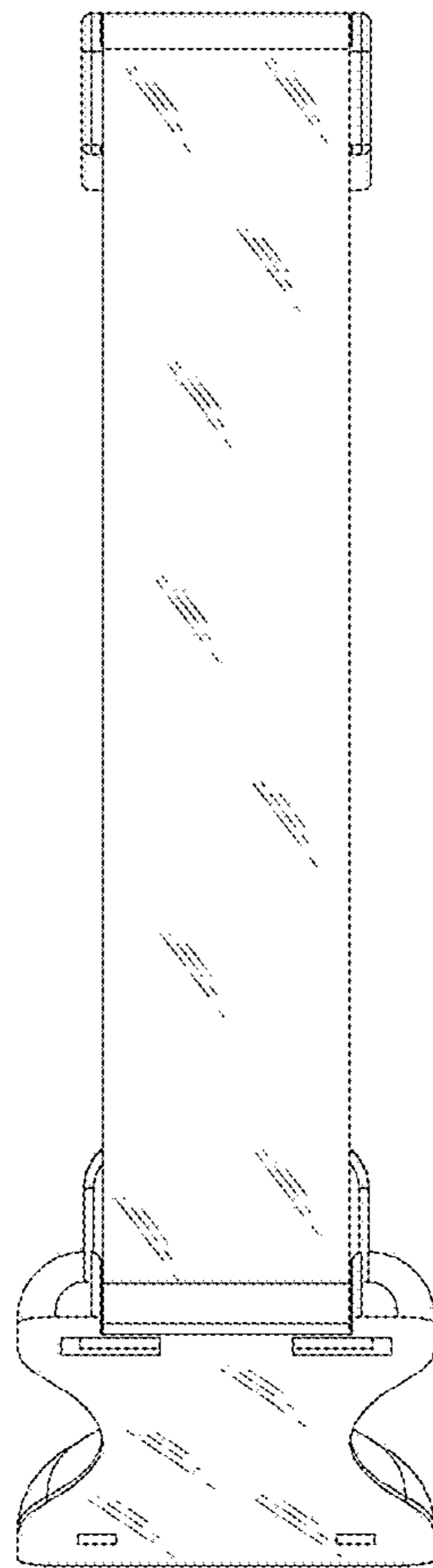


FIG.7



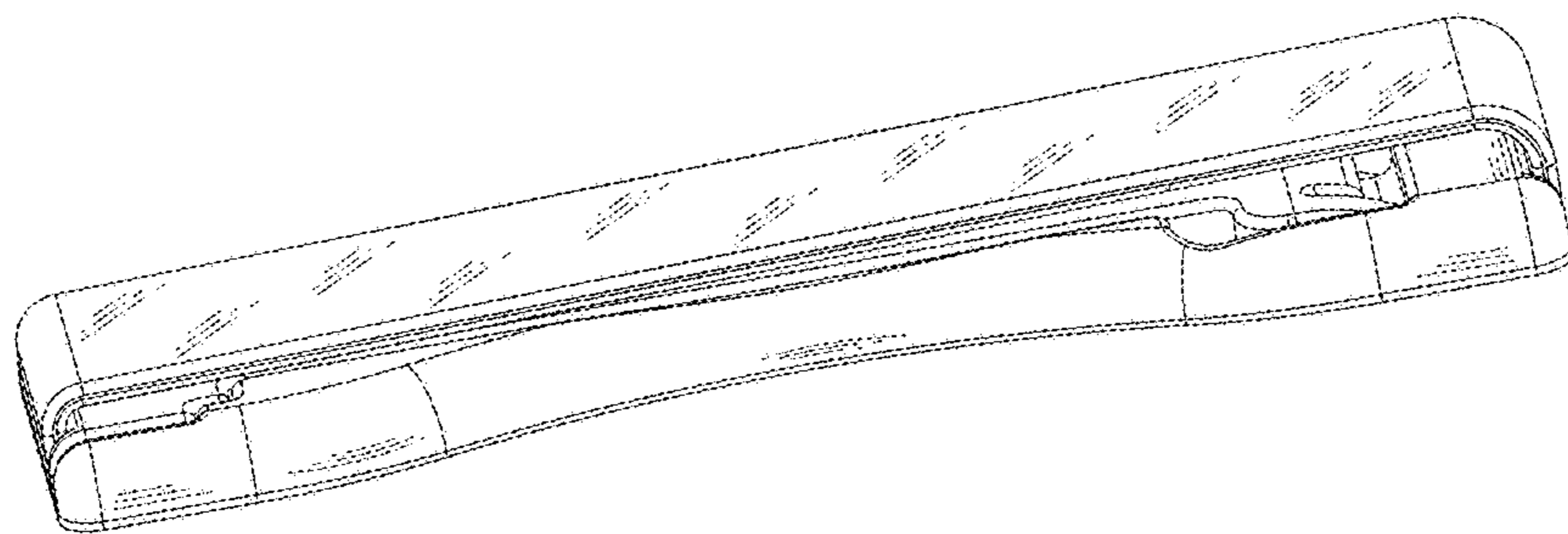


FIG.8