

US00D864187S

(12) **United States Design Patent**
Vogel et al.

(10) **Patent No.:** **US D864,187 S**
(45) **Date of Patent:** **** Oct. 22, 2019**

(54) **MOBILE DEVICE HOLDER BASE**

(71) Applicant: **NITE IZE, INC.**, Boulder, CO (US)

(72) Inventors: **Frank Vogel**, Boulder, CO (US);
Bowden Ormsbee, Longmont, CO
(US); **Steven L. Lindquist**, Broomfield,
CO (US)

(73) Assignee: **Nite Ize, Inc.**, Boulder, CO (US)

(**) Term: **15 Years**

(21) Appl. No.: **29/629,845**

(22) Filed: **Dec. 15, 2017**

(51) **LOC (12) Cl.** **14-03**

(52) **U.S. Cl.**
USPC **D14/253**

(58) **Field of Classification Search**
USPC D14/251-253, 358, 432, 434, 440, 447;
D3/218; D16/242, 243; D12/415;
D13/107, 108
CPC A45C 11/00; A45F 5/00; F16M 11/06
See application file for complete search history.

(56) **References Cited**

U.S. PATENT DOCUMENTS

D658,168 S *	4/2012	Werth	D14/253
D679,700 S *	4/2013	Werth	D14/253
D703,659 S *	4/2014	Werth	D14/253
D732,013 S *	6/2015	Aspinall	D14/253
D749,558 S *	2/2016	Nielsen	D14/251
D759,005 S *	6/2016	Murakami	D14/251
D770,171 S *	11/2016	Lai	D14/253

D773,449 S *	12/2016	Mellano	D14/253
D784,977 S *	4/2017	Ormsbee	D14/253
D840,994 S *	2/2019	Balmer	D14/253
D850,436 S *	6/2019	Vogel	D14/253
2015/0201723 A1 *	7/2015	Rayner	G06F 1/1601 224/191
2019/0052740 A1 *	2/2019	Ormsbee	B60R 11/02
2019/0185094 A1 *	6/2019	Vogel	B62J 9/003

* cited by examiner

Primary Examiner — Janice Hallmark

(74) *Attorney, Agent, or Firm* — Haynes and Boone, LLP

(57) **CLAIM**

The ornamental design for the mobile device holder base, as shown and described.

DESCRIPTION

FIG. 1 shows a front perspective view of a mobile device holder base;

FIG. 2 shows a rear perspective view of the mobile device holder base of FIG. 1;

FIG. 3 shows a front view of the mobile device holder base of FIG. 1;

FIG. 4 shows rear view of the mobile device holder base of FIG. 1;

FIG. 5 shows left side view of the mobile device holder base of FIG. 1;

FIG. 6 shows a right side view of the mobile device holder base of FIG. 1;

FIG. 7 shows a top view of the mobile device holder base of FIG. 1; and,

FIG. 8 shows a bottom view of the mobile device holder base of FIG. 1.

1 Claim, 4 Drawing Sheets

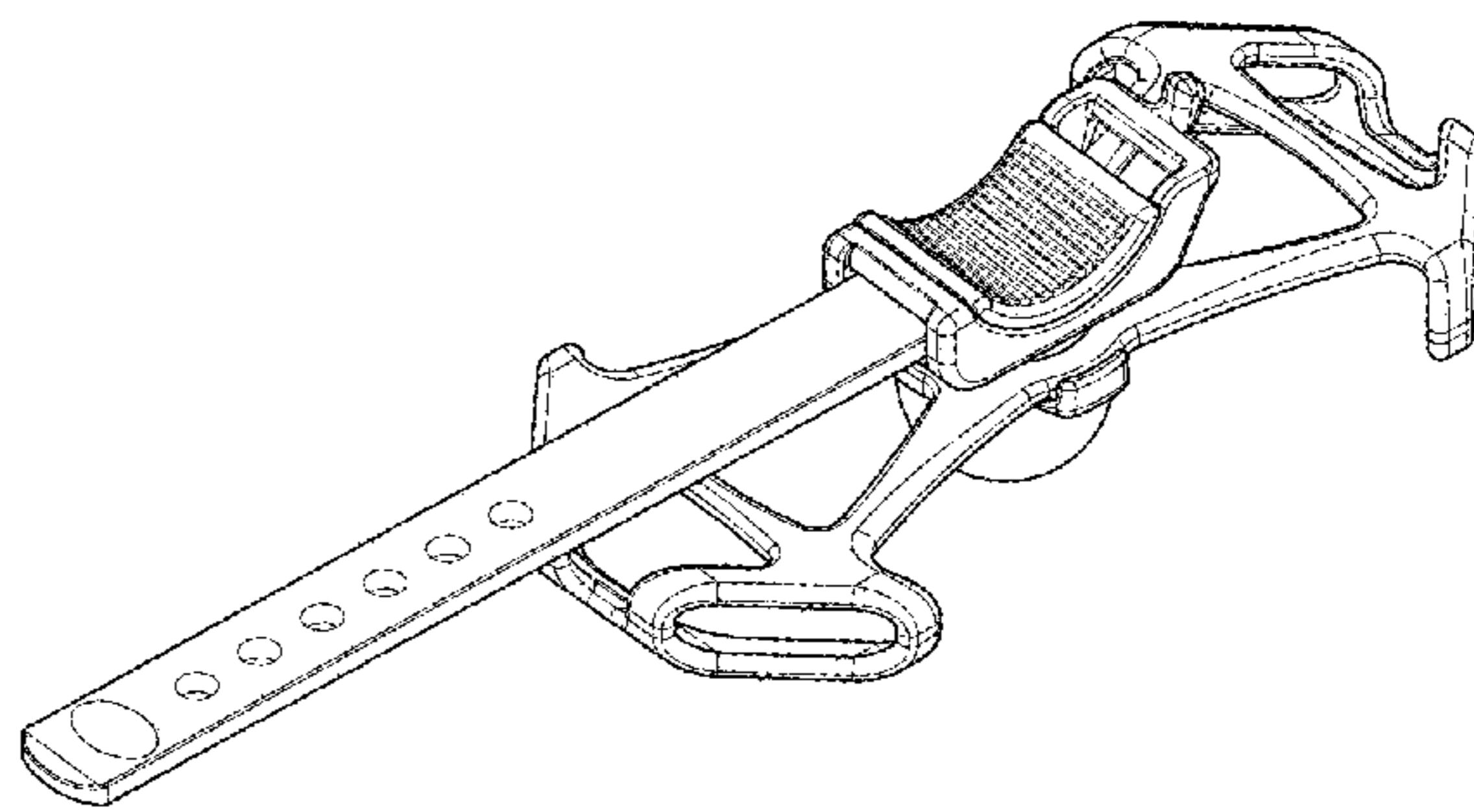
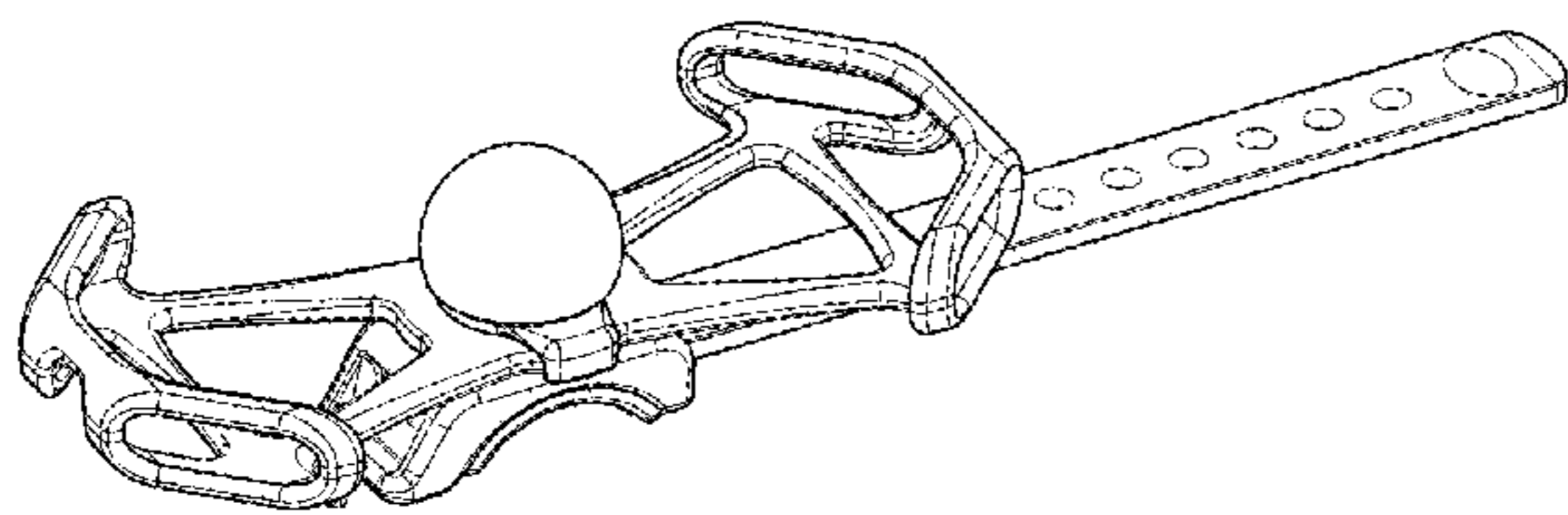


FIG. 1

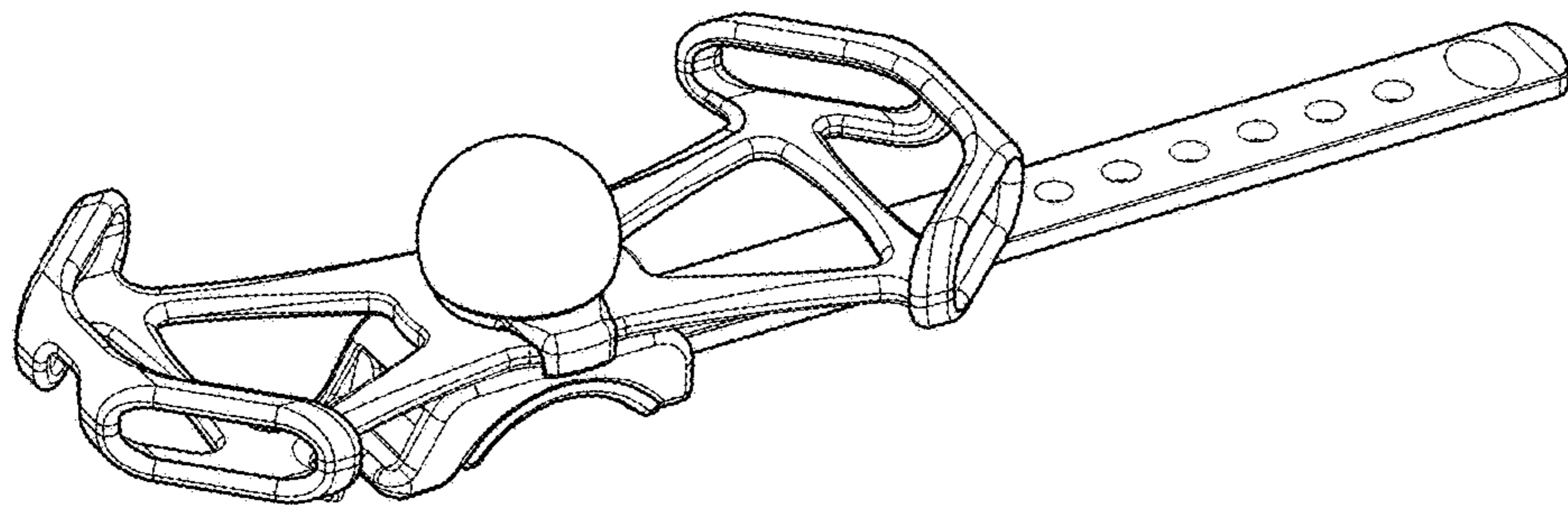


FIG. 2

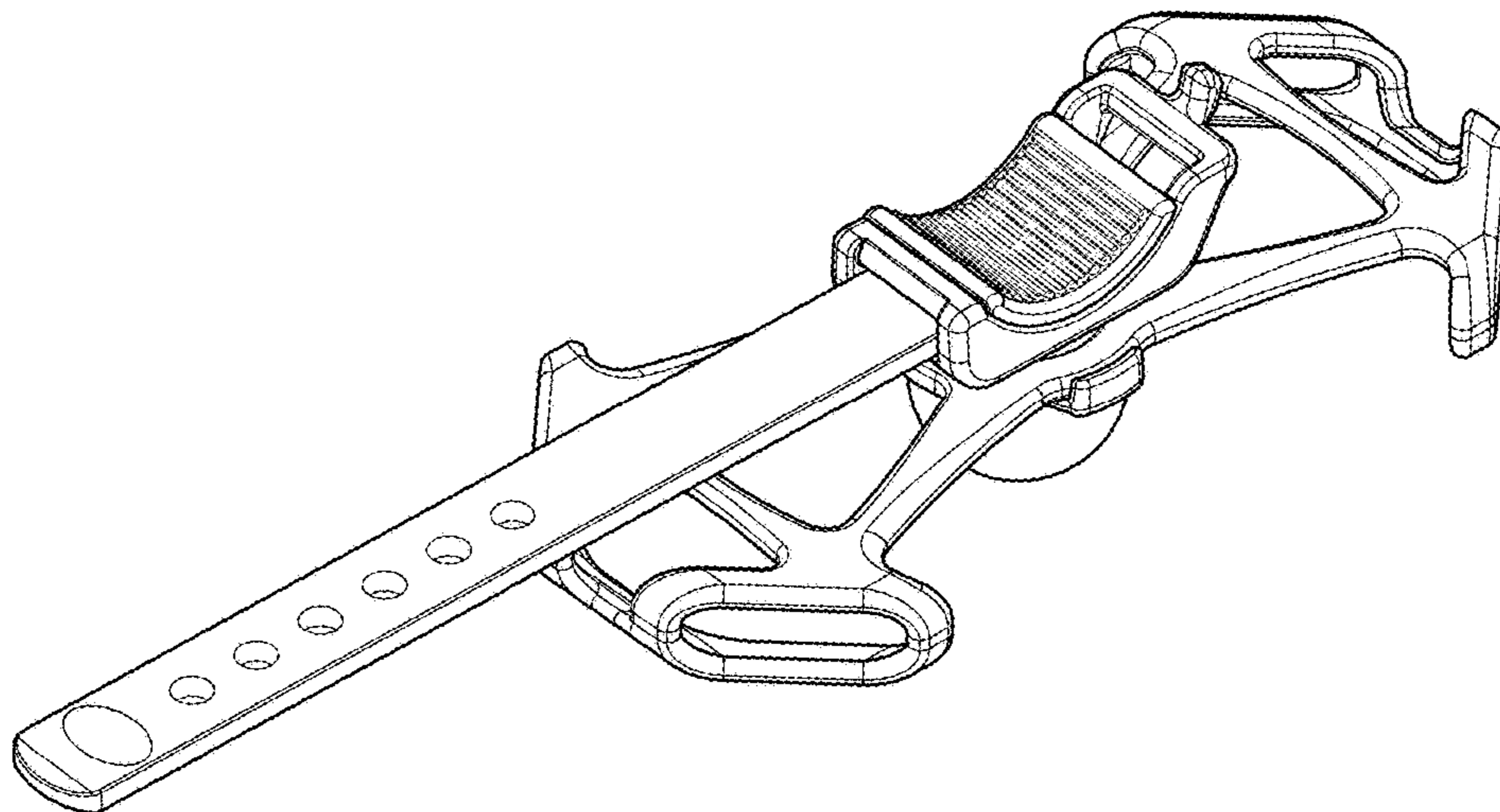


FIG. 3

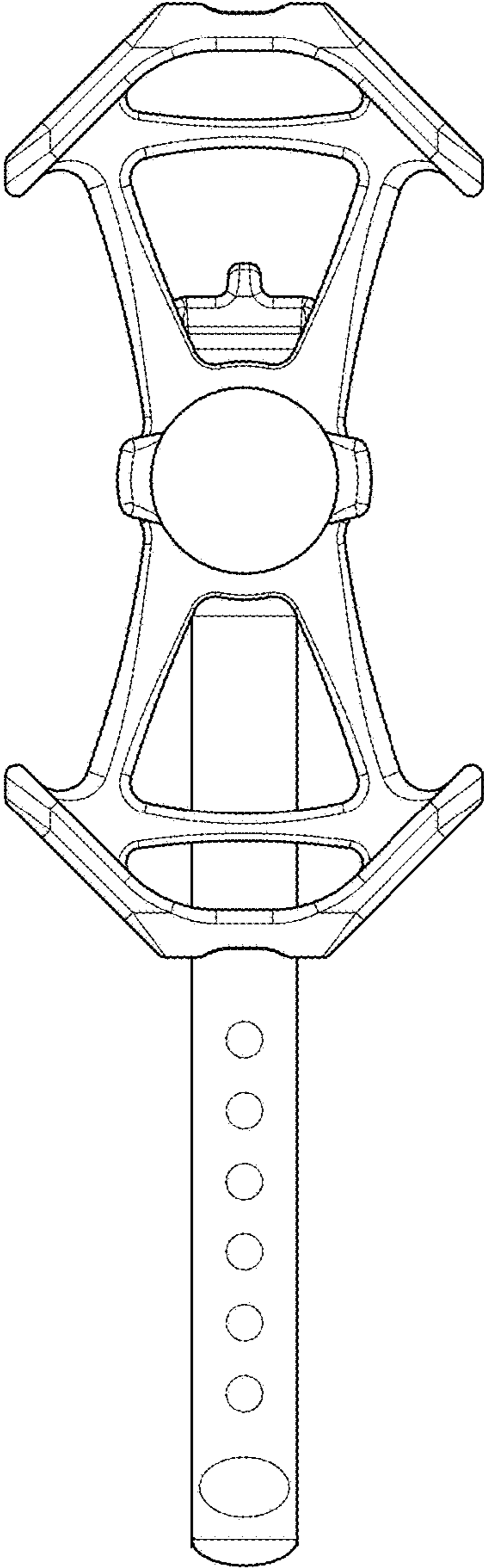


FIG. 4

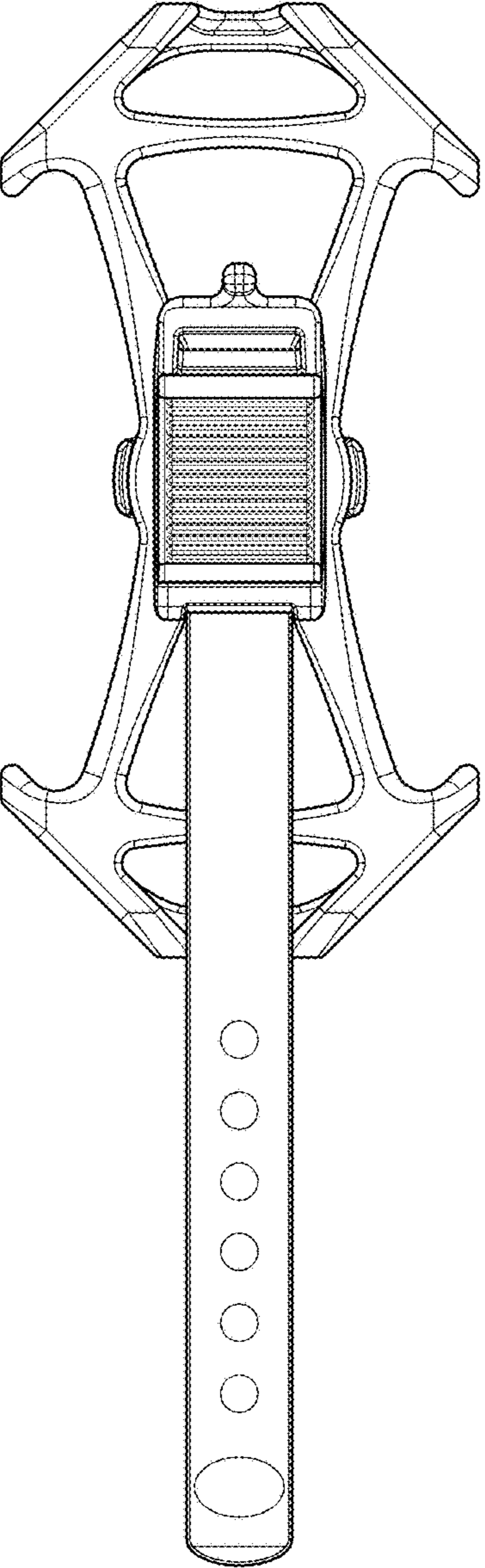


FIG. 5

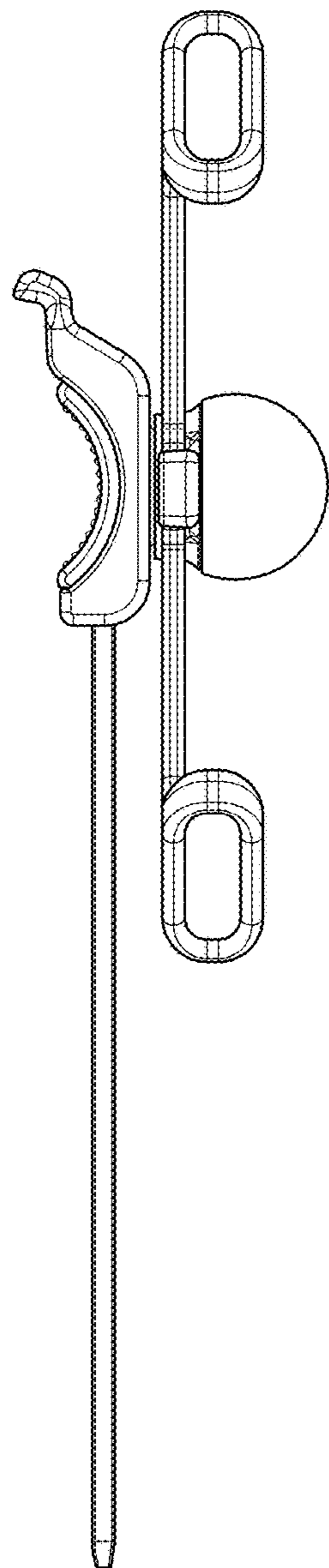


FIG. 6

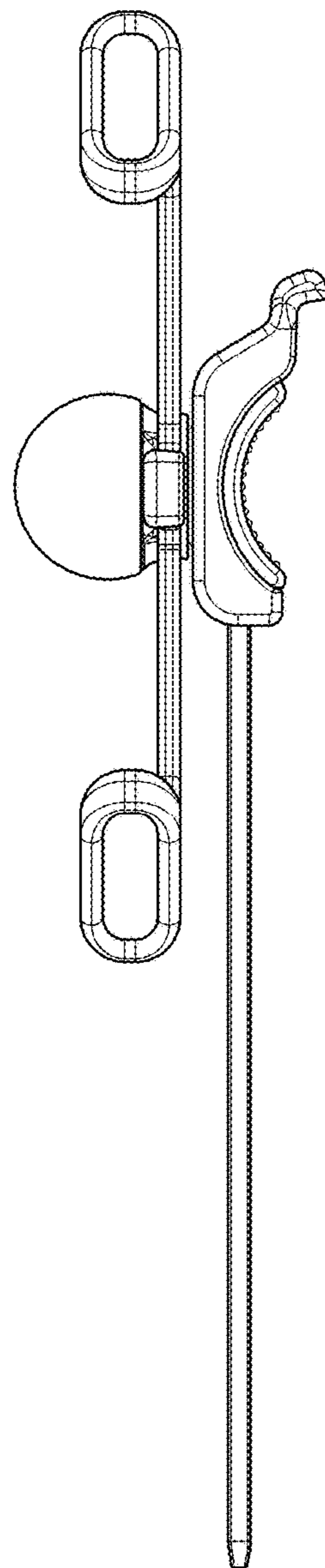


FIG. 7

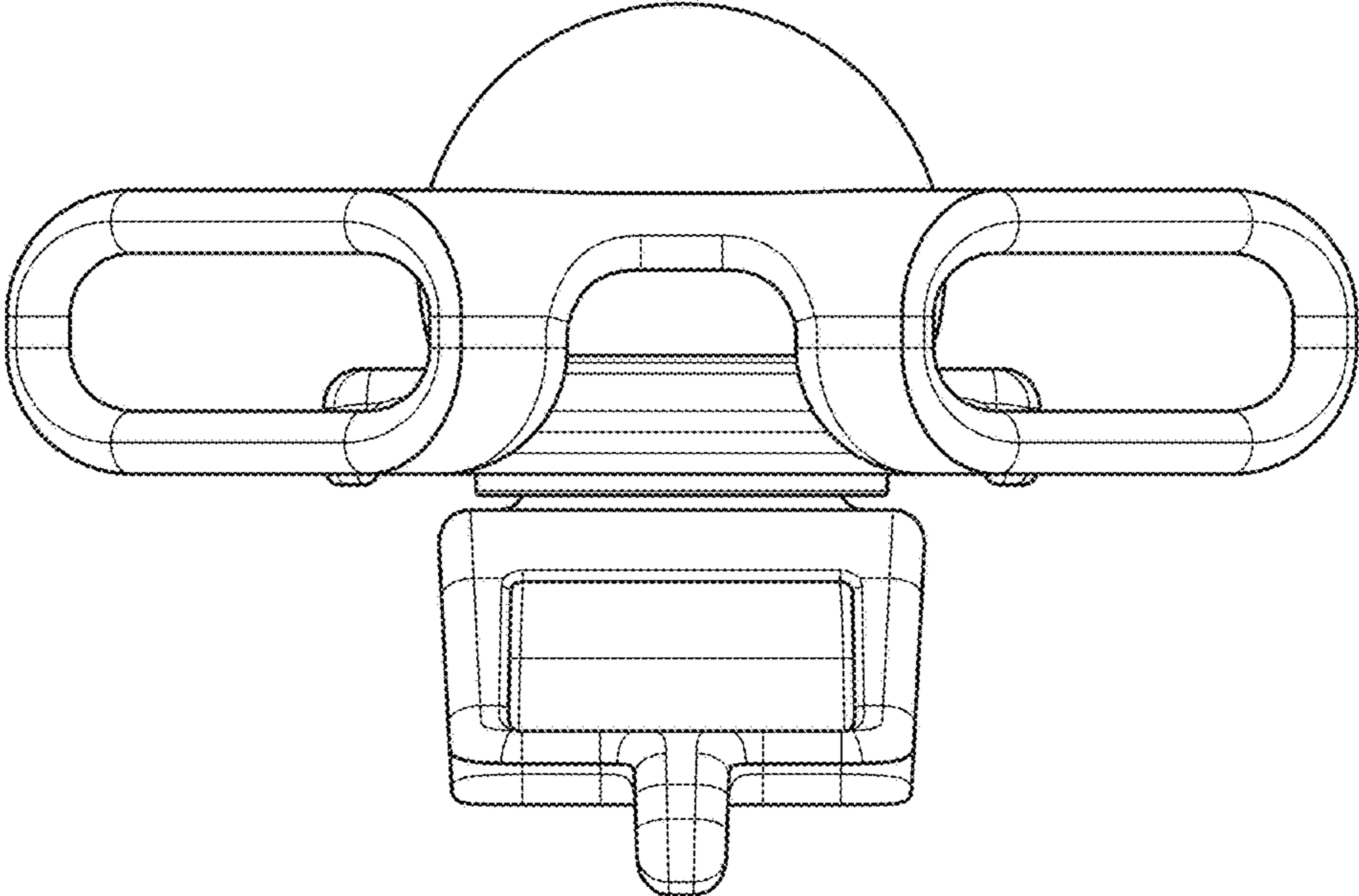


FIG. 8

