



US00D864186S

(12) **United States Design Patent** (10) **Patent No.:** **US D864,186 S**  
**Du** (45) **Date of Patent:** **\*\* Oct. 22, 2019**

(54) **MULTIFUNCTIONAL MOBILE PHONE BRACKET**

D732,013 S \* 6/2015 Aspinall ..... D14/253  
D752,571 S \* 3/2016 Richter ..... D14/253  
D772,218 S \* 11/2016 Alesi ..... D14/253  
D784,923 S \* 4/2017 Song ..... D13/108

(71) Applicant: **Dongguan Wiiki-Tech Electronic Co., Ltd.**, Guangdong (CN)

\* cited by examiner

(72) Inventor: **Pengcheng Du**, Guangdong (CN)

*Primary Examiner* — Janice Hallmark

(\*\*) Term: **15 Years**

(74) *Attorney, Agent, or Firm* — Prakash Nama; Global IP Services, PLLC

(21) Appl. No.: **29/619,078**

(22) Filed: **Sep. 27, 2017**

(57) **CLAIM**

(51) **LOC (12) Cl.** ..... **14-03**

The ornamental design for a multifunctional mobile phone bracket, as shown.

(52) **U.S. Cl.**  
USPC ..... **D14/253**

(58) **Field of Classification Search**  
USPC ..... D14/251–253, 358, 432, 434, 440, 447;  
D3/218; D16/242, 243; D12/415;  
D13/107, 108  
CPC ..... A45C 11/00; A45F 5/00; F16M 11/06  
See application file for complete search history.

**DESCRIPTION**

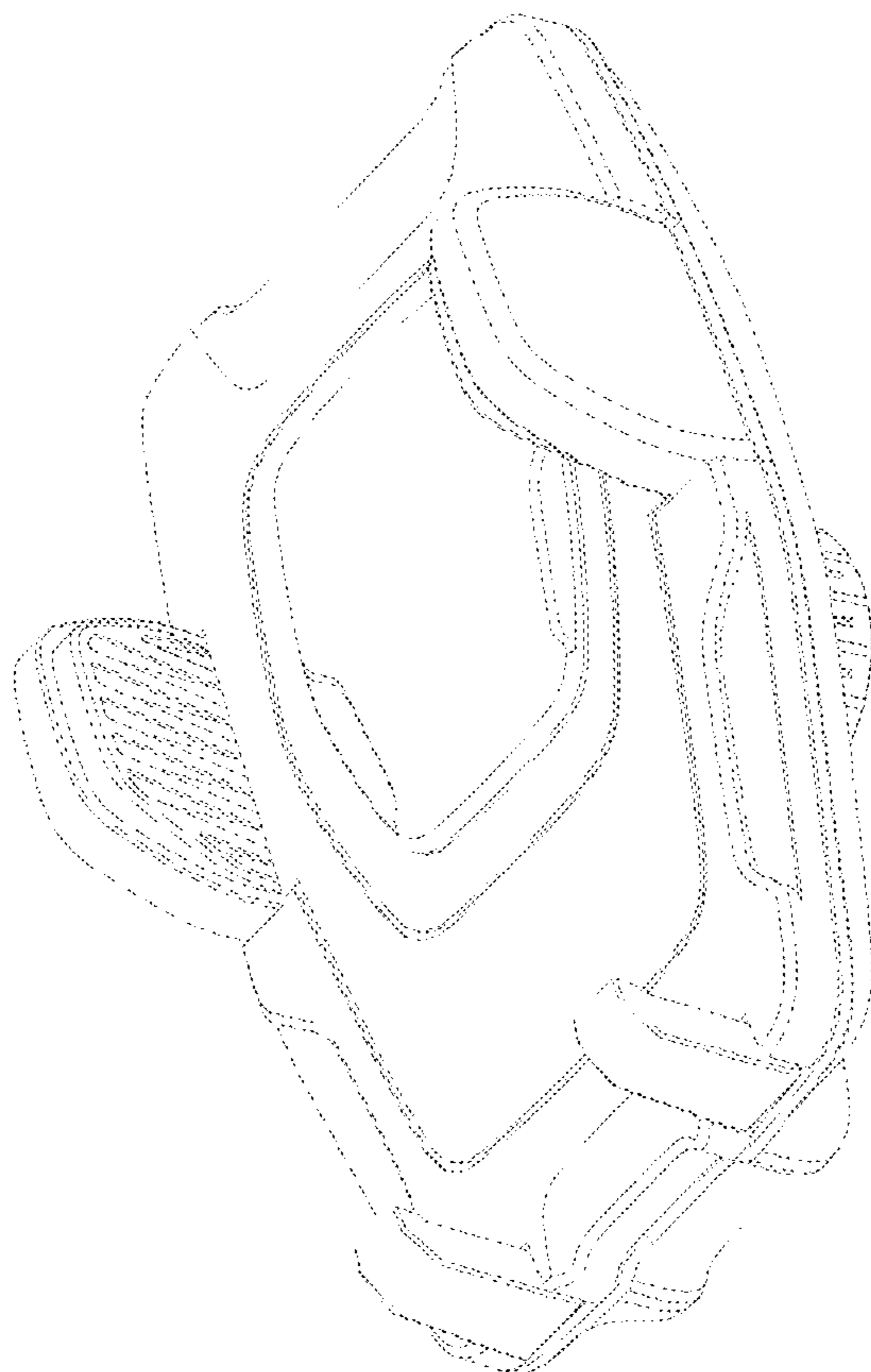
FIG. 1 is a front elevational view of a multifunctional mobile phone bracket showing my new design; FIG. 2 is a rear elevational view thereof; FIG. 3 is a left side view thereof; FIG. 4 is a right side view thereof; FIG. 5 is a top plan view thereof; FIG. 6 is a bottom plan view thereof; and, FIG. 7 is a perspective view thereof.

(56) **References Cited**

U.S. PATENT DOCUMENTS

D685,379 S \* 7/2013 Richter ..... D14/253  
D685,380 S \* 7/2013 Richter ..... D14/253

**1 Claim, 5 Drawing Sheets**



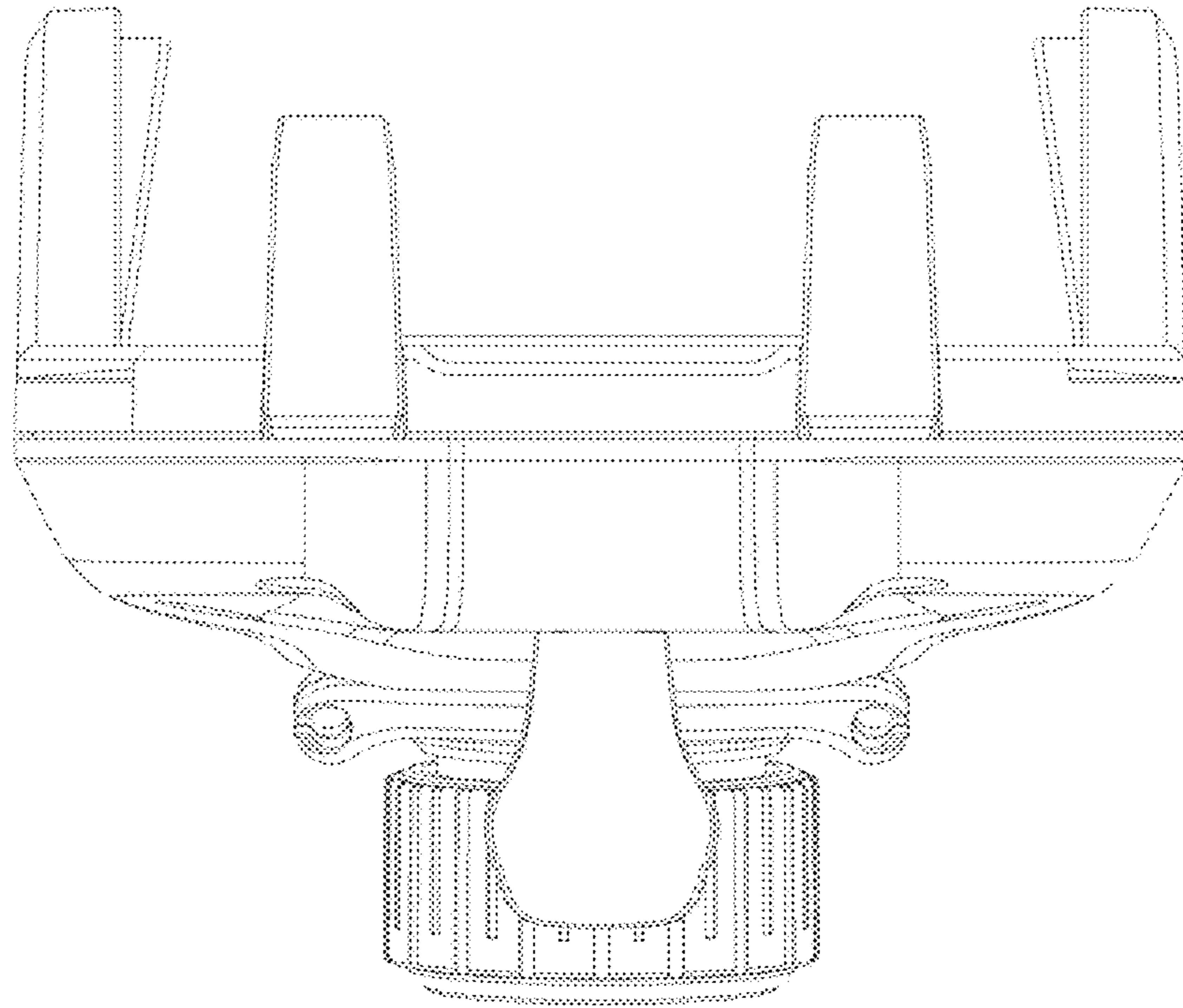


FIG. 1

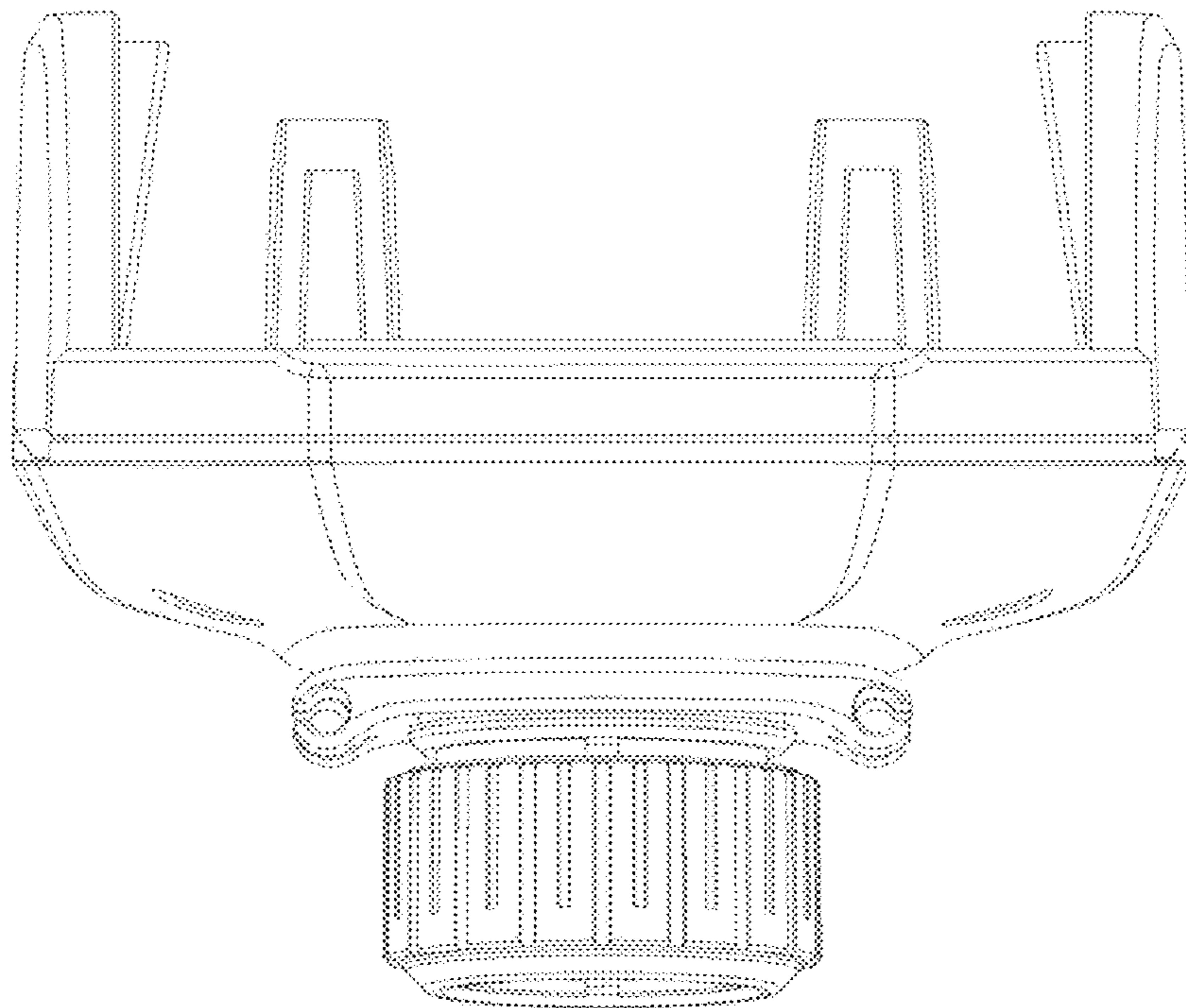


FIG. 2

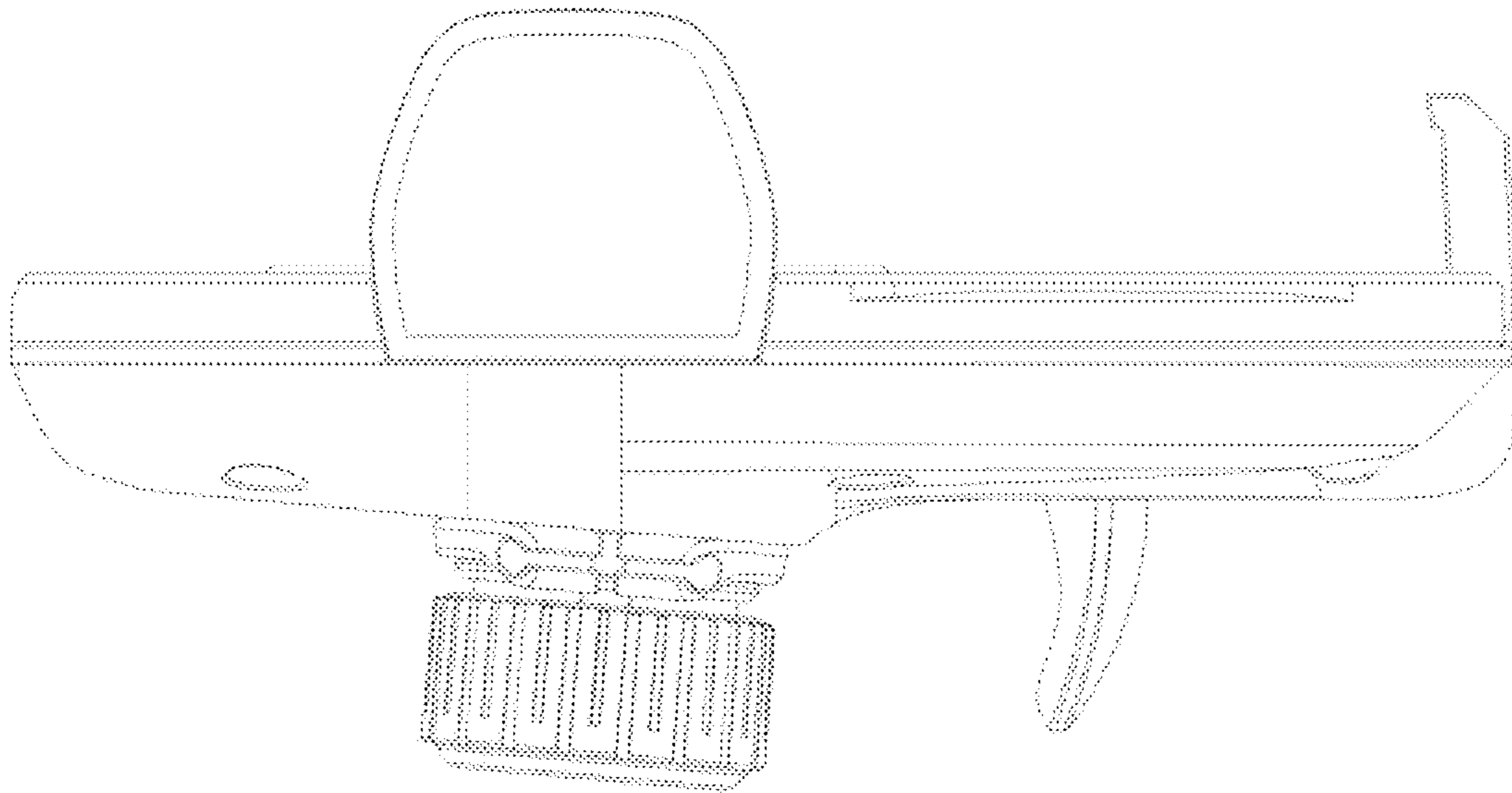


FIG. 3

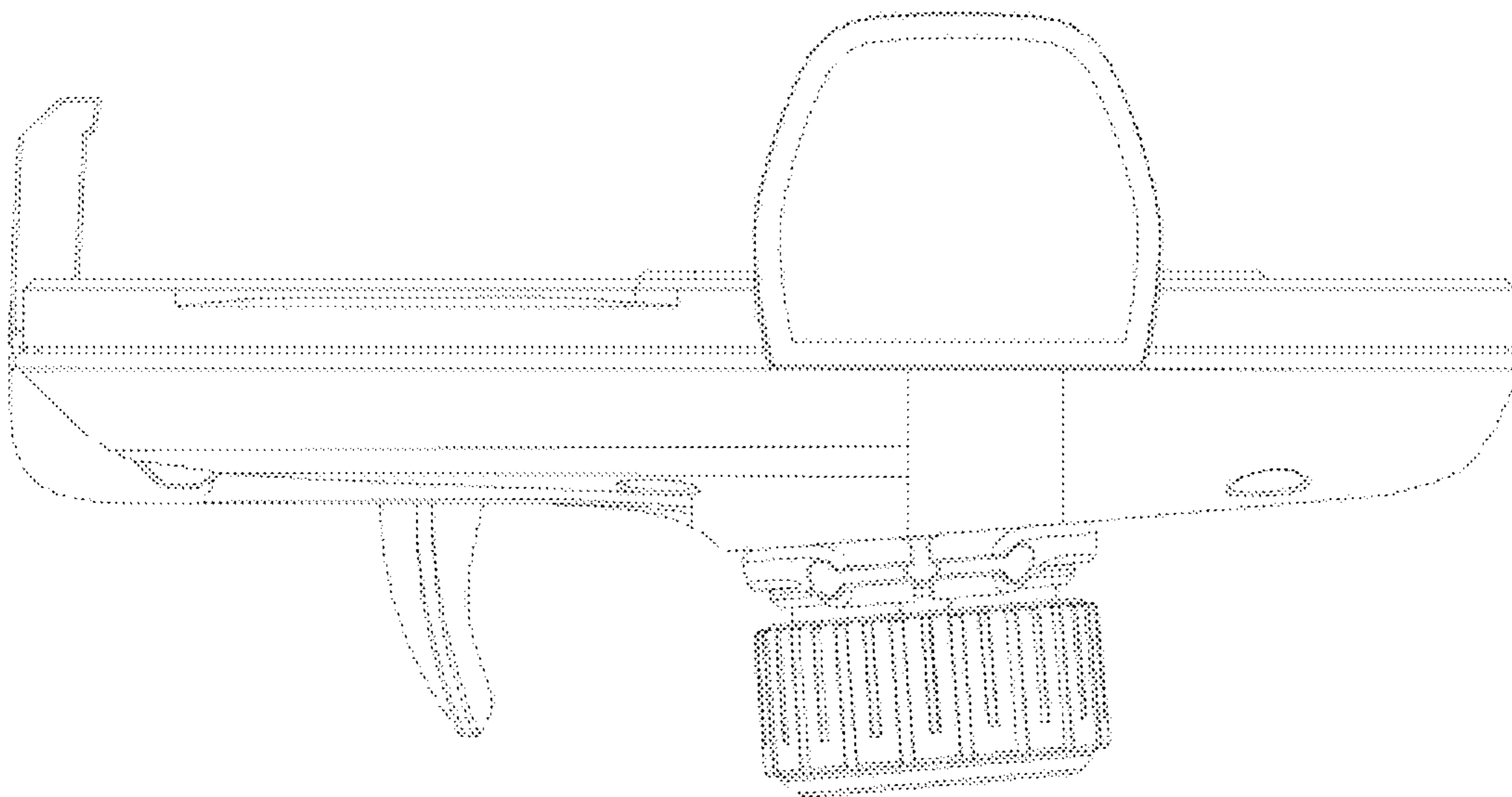


FIG. 4

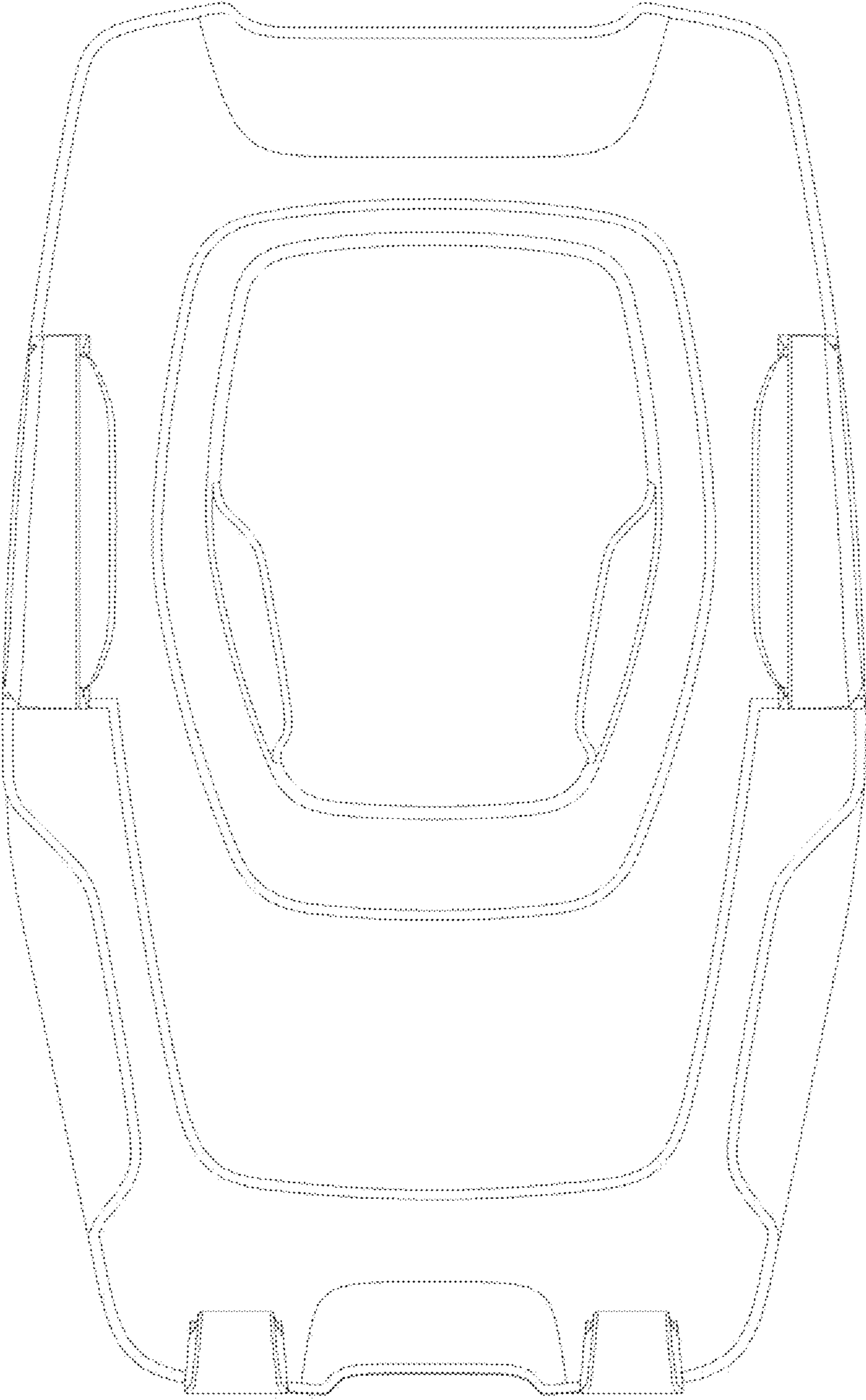


FIG. 5

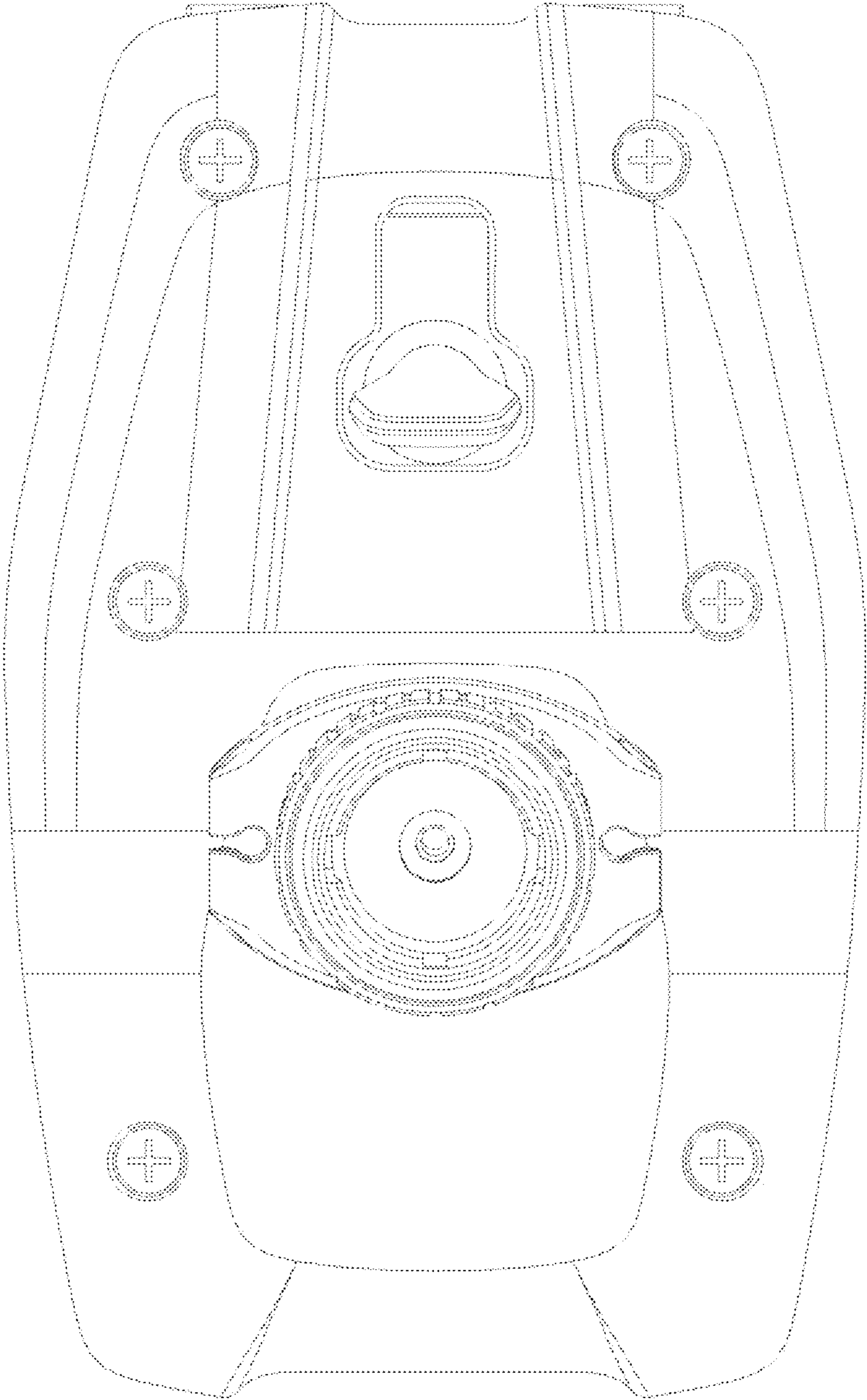


FIG. 6

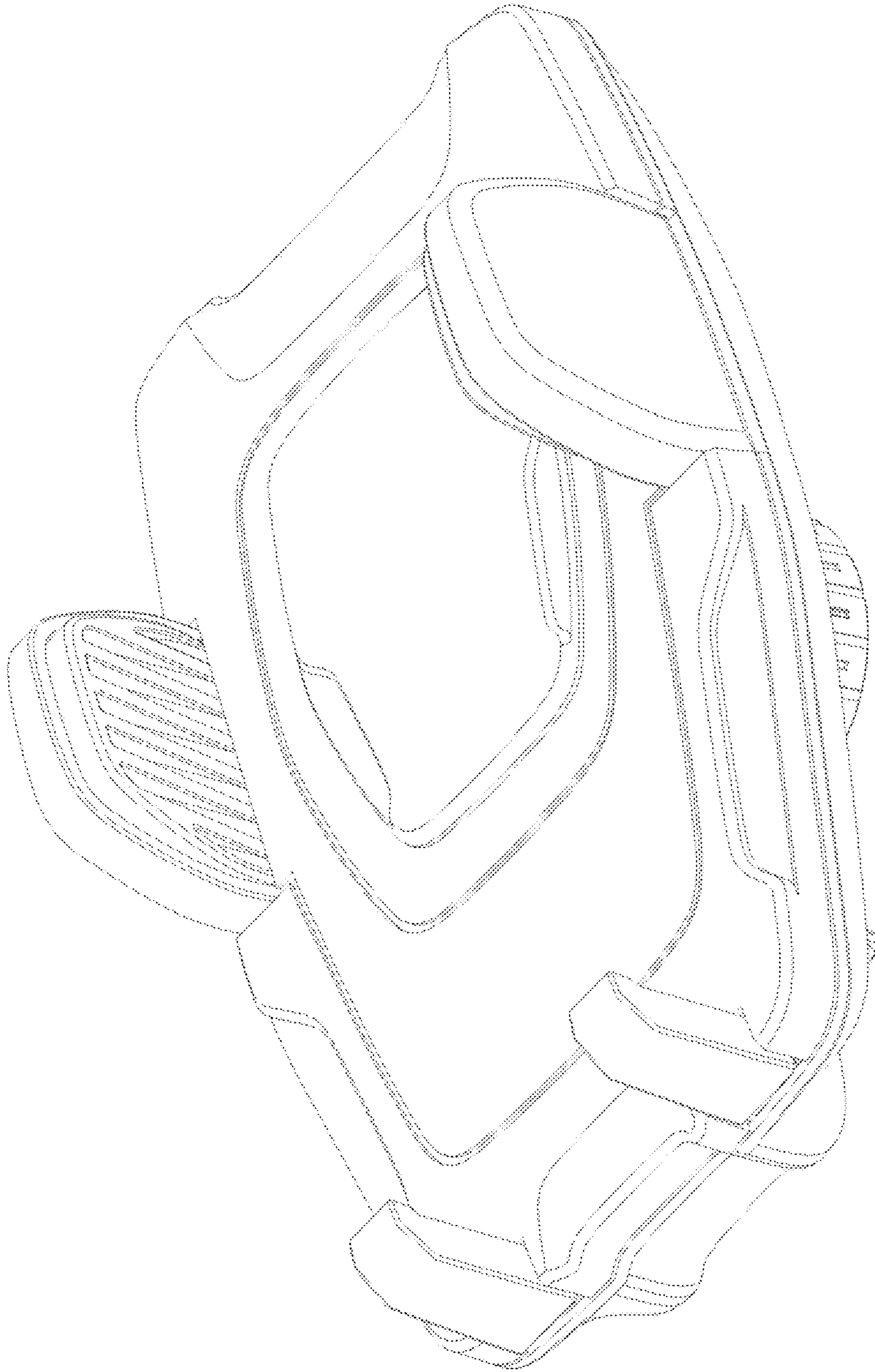


FIG. 7