



US00D864185S

(12) **United States Design Patent**
Chen

(10) **Patent No.:** **US D864,185 S**

(45) **Date of Patent:** **** Oct. 22, 2019**

(54) **CAR MOUNT HOLDER FOR CELL PHONE**

(71) Applicant: **Wenhui Chen, Ji'An (CN)**

(72) Inventor: **Wenhui Chen, Ji'An (CN)**

(73) Assignee: **Wenhui Chen (CN)**

(**) Term: **15 Years**

(21) Appl. No.: **29/612,505**

(22) Filed: **Aug. 1, 2017**

(51) **LOC (12) Cl.** **14-03**

(52) **U.S. Cl.**
USPC **D14/253**

(58) **Field of Classification Search**
USPC D14/251–253, 358, 432, 434, 440, 447;
D3/218; D16/242, 243; D12/415;
D13/107, 108
CPC A45C 11/00; A45F 5/00; F16M 11/06
See application file for complete search history.

(56) **References Cited**

U.S. PATENT DOCUMENTS

D685,380 S * 7/2013 Richter D14/253
D752,571 S * 3/2016 Richter D14/253

D772,218 S * 11/2016 Alesi D14/253
D799,466 S * 10/2017 Sukphist D14/253
D817,317 S * 5/2018 Lee D14/253
D832,248 S * 10/2018 Sukphist D14/253
D839,868 S * 2/2019 Lee D14/253
D848,413 S * 5/2019 Filosi D14/253

* cited by examiner

Primary Examiner — Janice Hallmark

(74) *Attorney, Agent, or Firm* — PROI Intellectual Property US

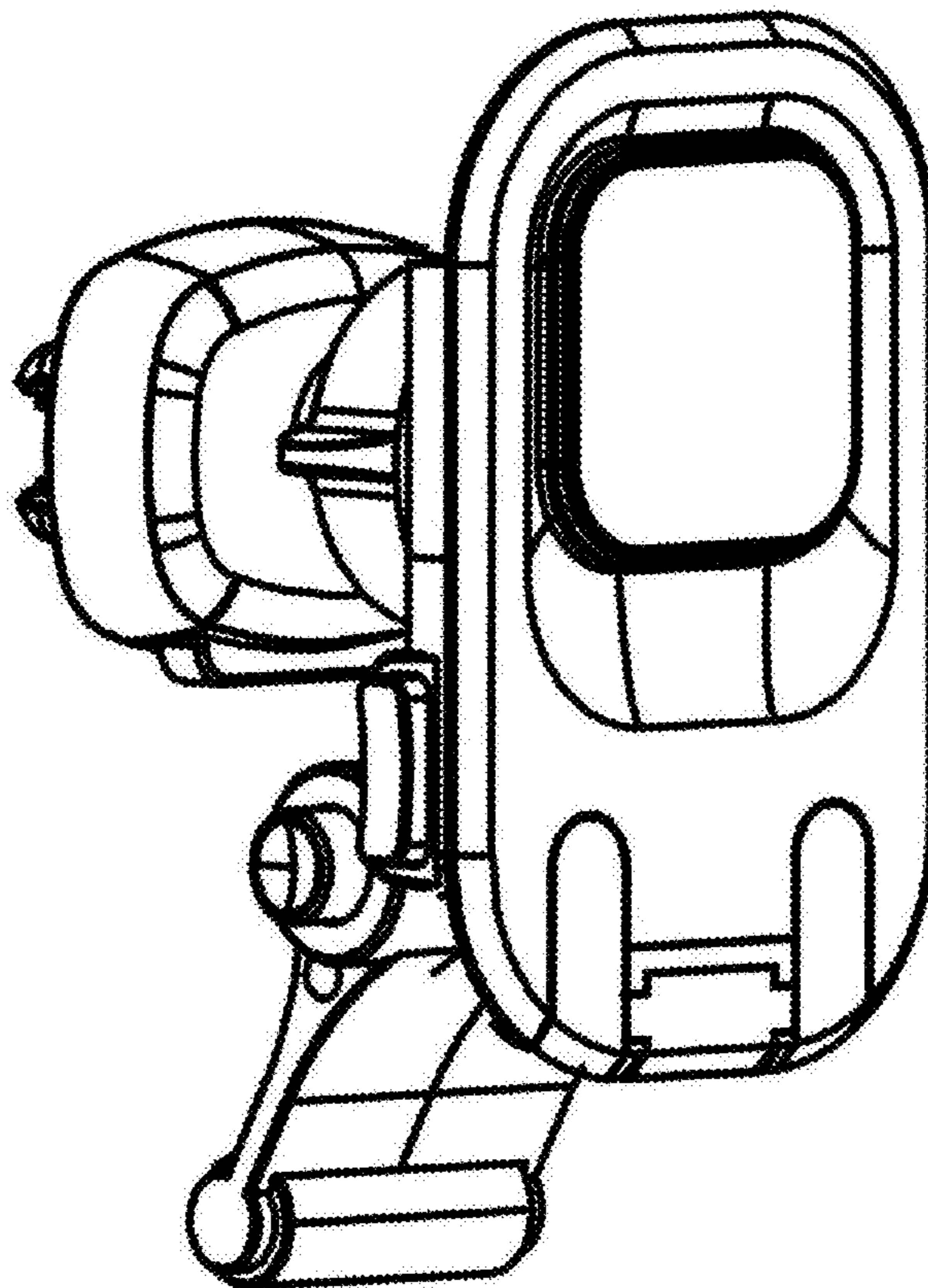
(57) **CLAIM**

The ornamental design for a car mount holder for cell phone, as shown and described.

DESCRIPTION

FIG. 1 is a perspective front View of a car mount holder for cell phone;
FIG. 2 is a front View thereof;
FIG. 3 is a rear View thereof;
FIG. 4 is a left side View thereof;
FIG. 5 is a right side View thereof;
FIG. 6 is a top View thereof; and,
FIG. 7 is a bottom View thereof.

1 Claim, 7 Drawing Sheets



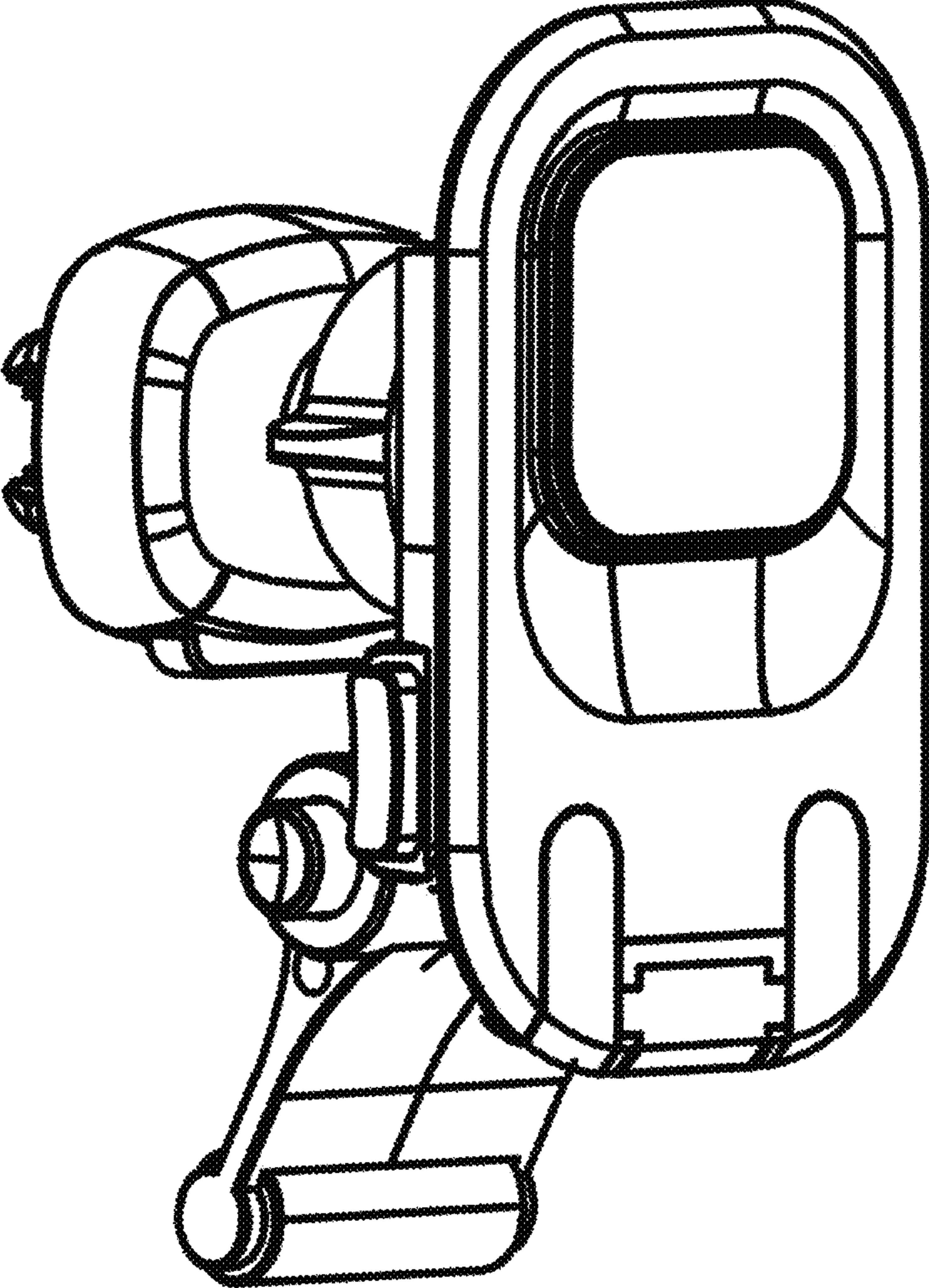


Fig. 1

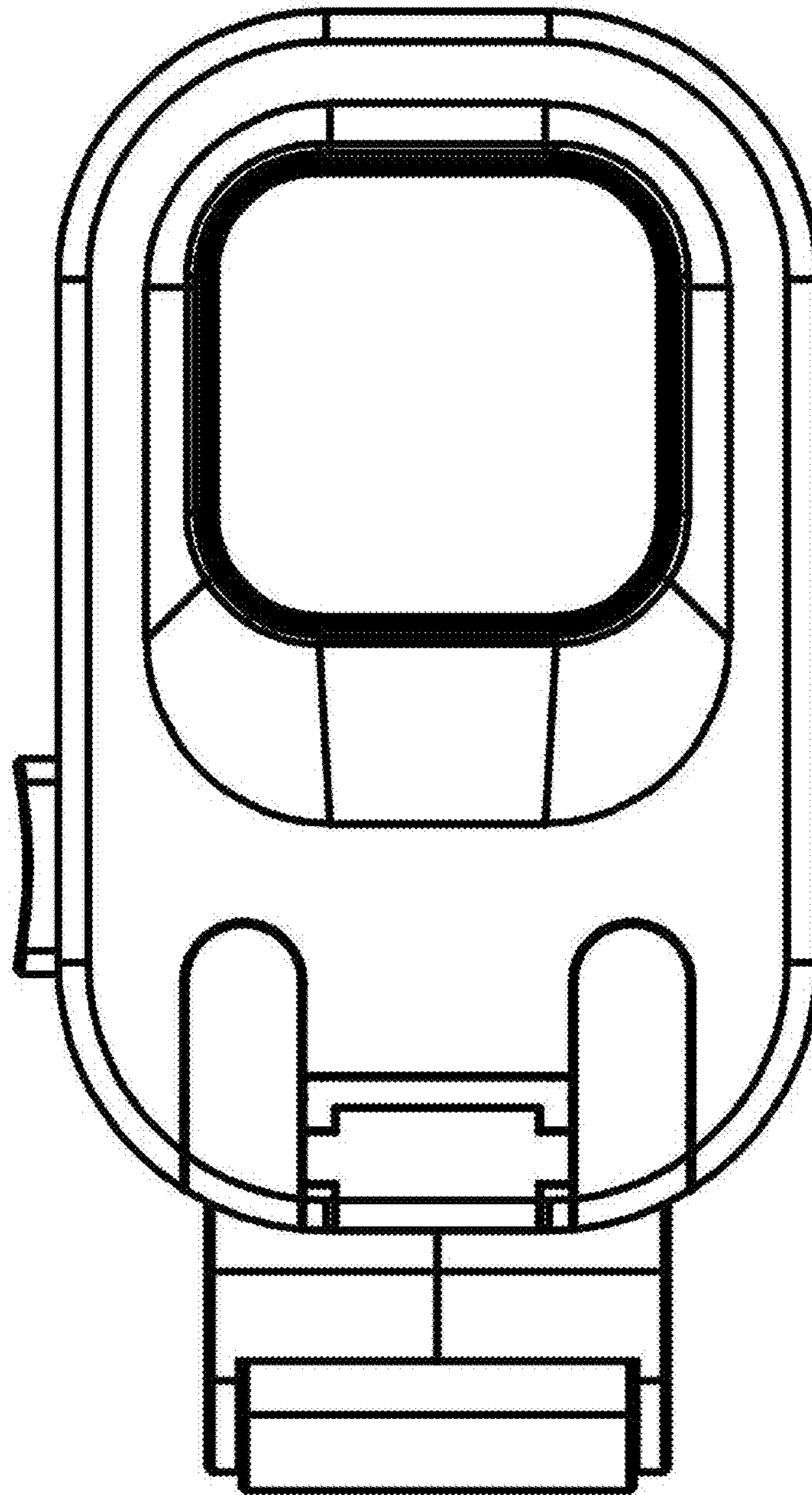


Fig. 2

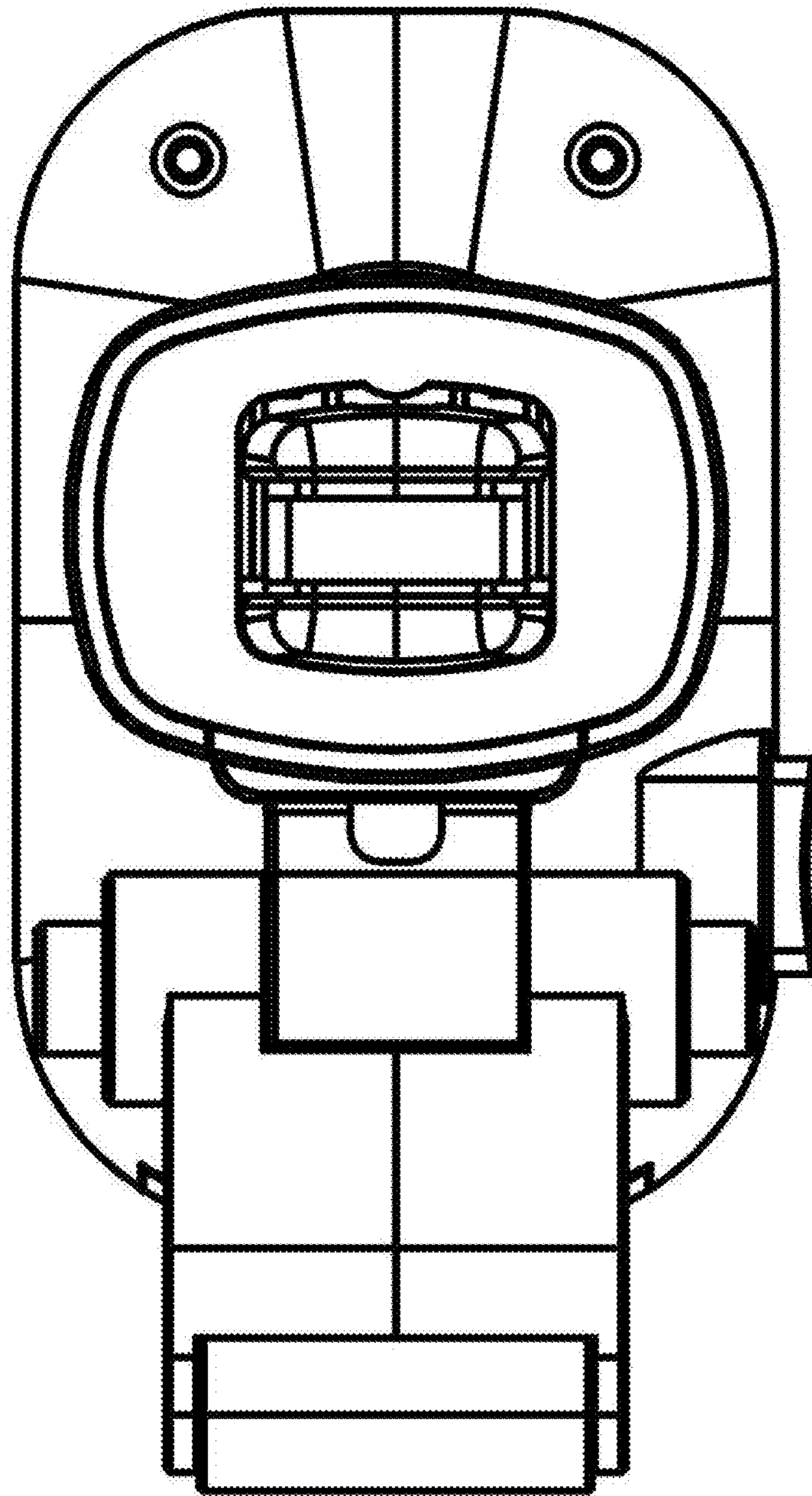


Fig. 3

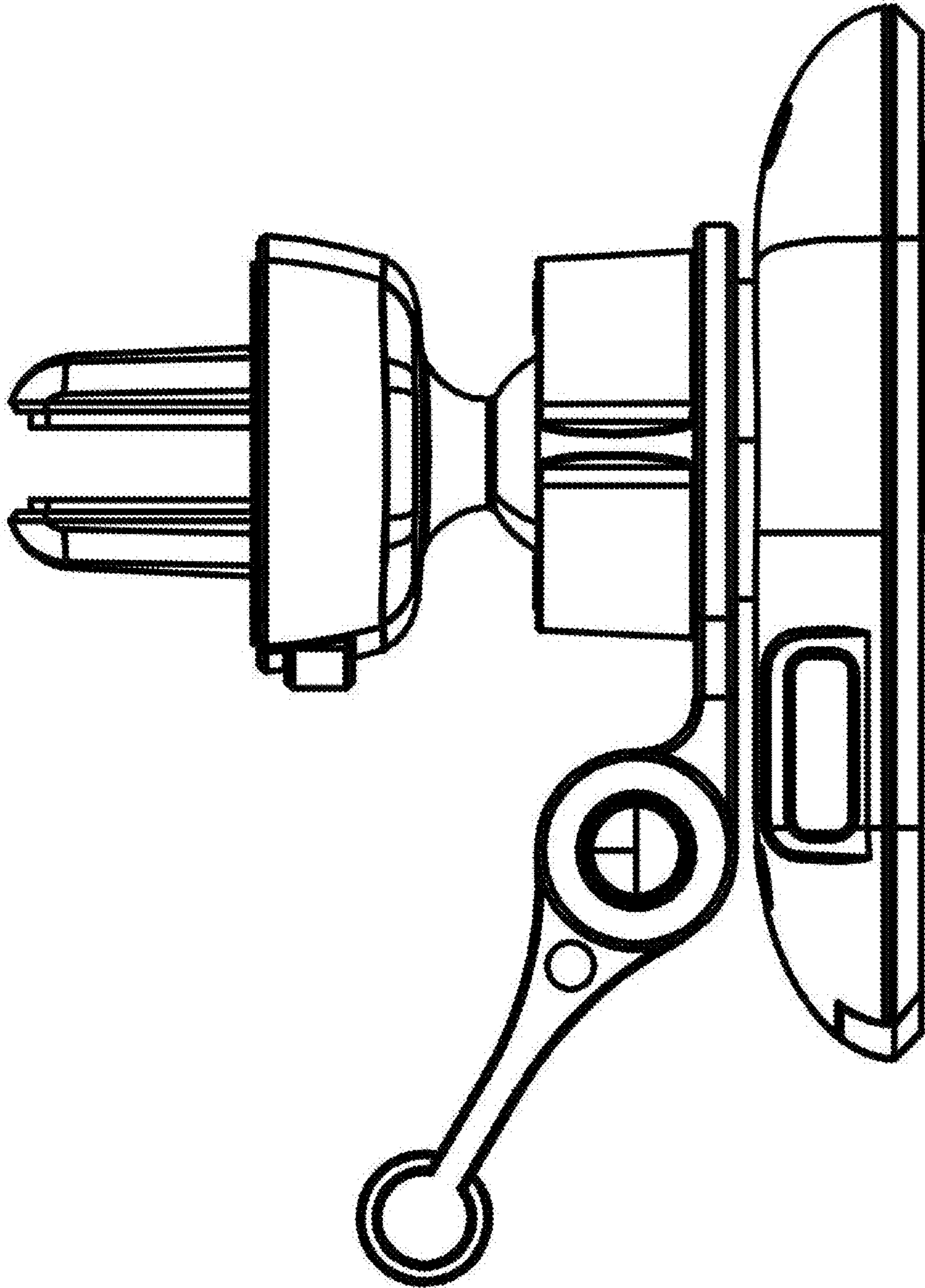


Fig. 4

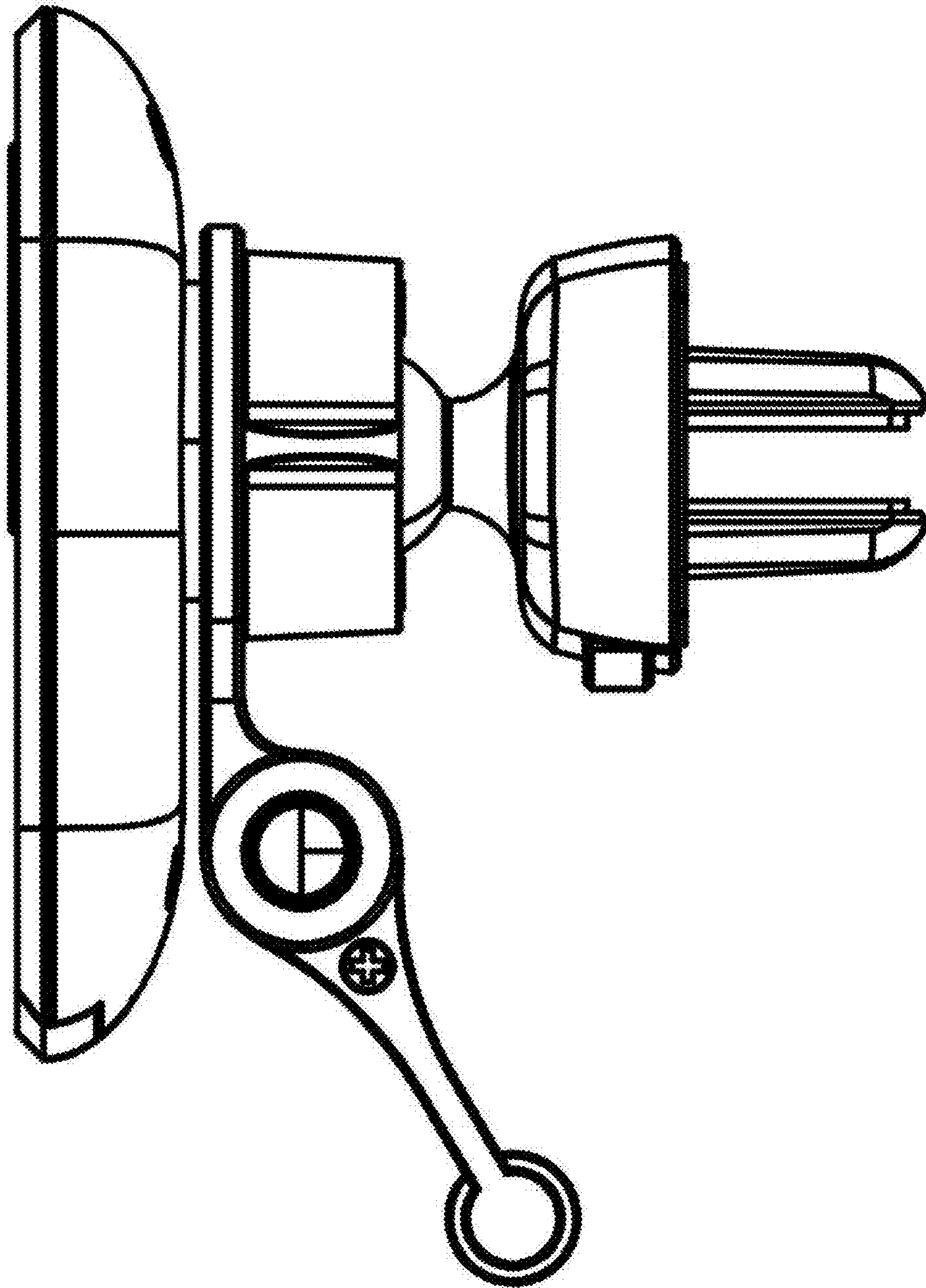


Fig. 5

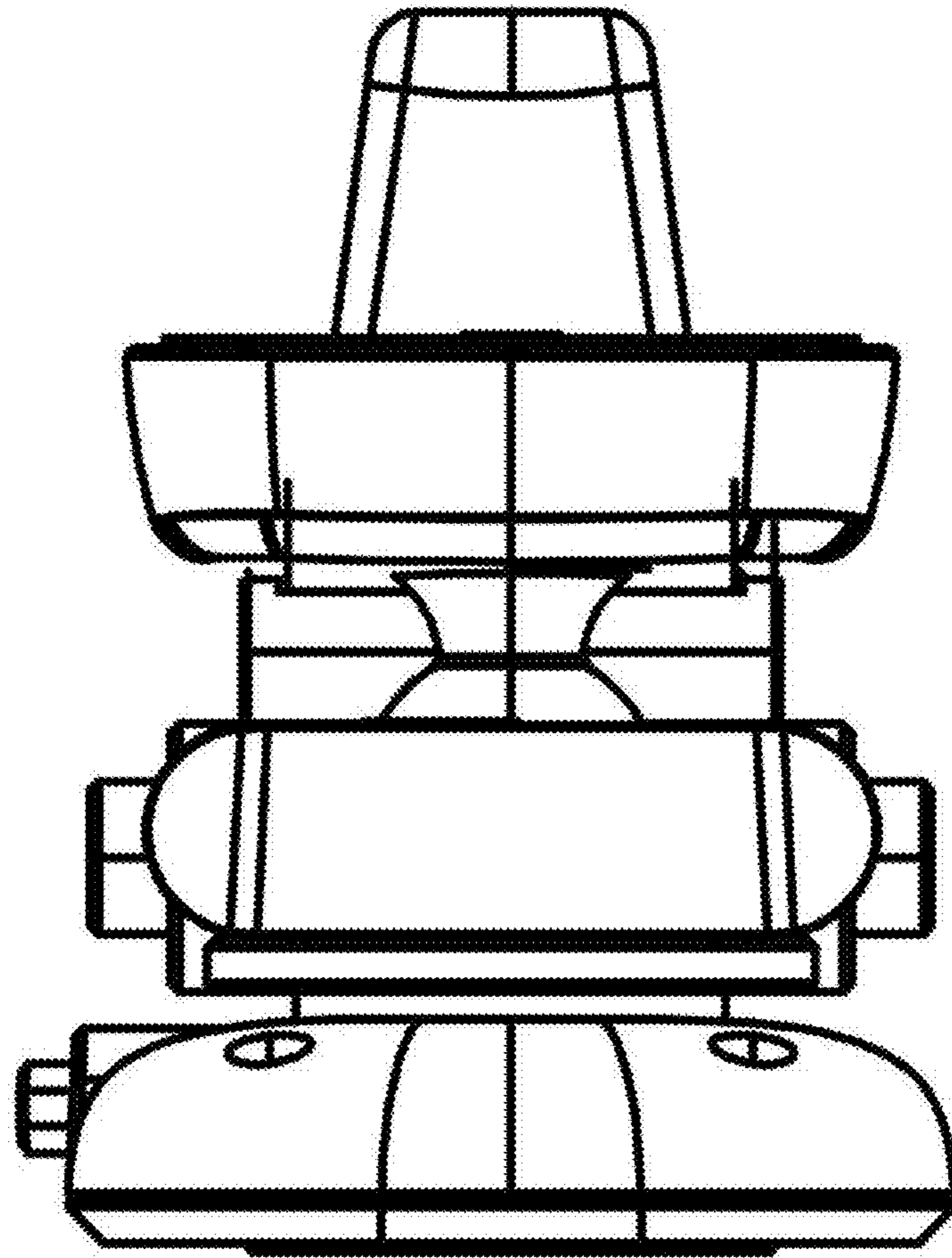


Fig. 6

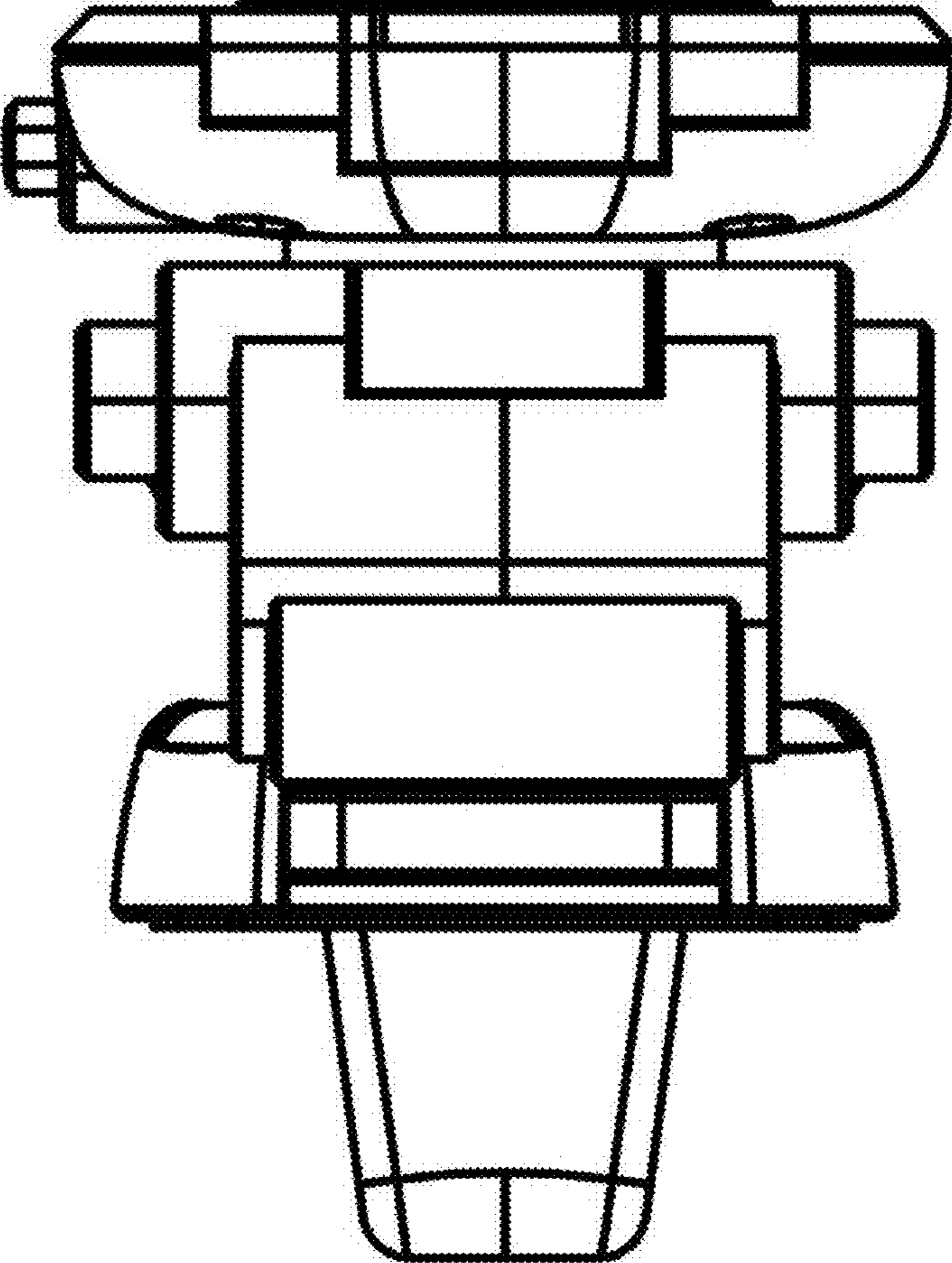


Fig. 7