



US00D864176S

(12) **United States Design Patent** (10) **Patent No.:** **US D864,176 S**  
**Fisher** (45) **Date of Patent:** **\*\* Oct. 22, 2019**

(54) **ANTENNA AND ANTENNA STAND ASSEMBLY**

D752,027 S \* 3/2016 Yang ..... D14/230  
D789,915 S \* 6/2017 Heinrich ..... D14/230  
D790,515 S \* 6/2017 Heinrich ..... D14/230

(71) Applicant: **Wiser Systems, Inc.**, Raleigh, NC (US)

\* cited by examiner

(72) Inventor: **Scott Fisher**, Raleigh, NC (US)

*Primary Examiner* — Keli L Hill

(73) Assignee: **Wiser Systems, Inc.**, Raleigh, NC (US)

*Assistant Examiner* — Harold E Blackwell, II

(\*\*) Term: **15 Years**

(74) *Attorney, Agent, or Firm* — Stanek Lemon Crouse & Meeks, PA

(21) Appl. No.: **29/566,145**

(57) **CLAIM**

The ornamental design for an antenna and antenna stand assembly, as shown and described.

(22) Filed: **May 27, 2016**

**DESCRIPTION**

(51) **LOC (12) Cl.** ..... **14-03**

(52) **U.S. Cl.**

USPC ..... **D14/238**

(58) **Field of Classification Search**

USPC ..... D14/138, 299, 358, 230–238

CPC ..... H01Q 7/00; H01Q 13/10; H01Q 9/285;

H01Q 19/30; H01Q 19/12; H01Q 1/38;

H04B 1/0475; H04B 1/034; H05K 11/00

See application file for complete search history.

FIG. 1 is a perspective view of an antenna positioned in an antenna stand showing my design;

FIG. 2 is a first side view thereof;

FIG. 3 is a second side view thereof, opposite that shown in FIG. 2;

FIG. 4 is another side view thereof, 90 degrees offset from that shown in FIG. 2;

FIG. 5 is another side view thereof, opposite that shown in FIG. 4;

FIG. 6 is a top view of the antenna and stand;

FIG. 7 is a bottom view thereof;

FIG. 8 is an exemplary environmental view illustrating the antenna stand mounted on a wall and the antenna positioned therein according to embodiments of the present invention; and,

FIG. 9 is an exemplary environmental view illustrating the antenna stand on table or other surface and the antenna positioned therein according to embodiments of the present invention.

The broken lines shown herein are for illustrative purposes only and form no part of the claimed design.

(56) **References Cited**

U.S. PATENT DOCUMENTS

D176,069 S	*	11/1955	Kamp	.....	D14/229
D320,602 S	*	10/1991	Wells	.....	D14/238
D466,495 S	*	12/2002	Beraut	.....	D14/227
D502,172 S	*	2/2005	Chen	.....	D14/227
D504,679 S	*	5/2005	Huang	.....	D14/230
D595,701 S	*	7/2009	Chuang	.....	D14/238
D617,319 S	*	6/2010	Maffetone	.....	D14/230
D623,174 S	*	9/2010	Hakamata	.....	D14/230
D666,178 S	*	8/2012	Schneider	.....	D14/230
D741,843 S	*	10/2015	Heinrich	.....	D14/231
D744,986 S	*	12/2015	Huerta	.....	D14/230

**1 Claim, 9 Drawing Sheets**

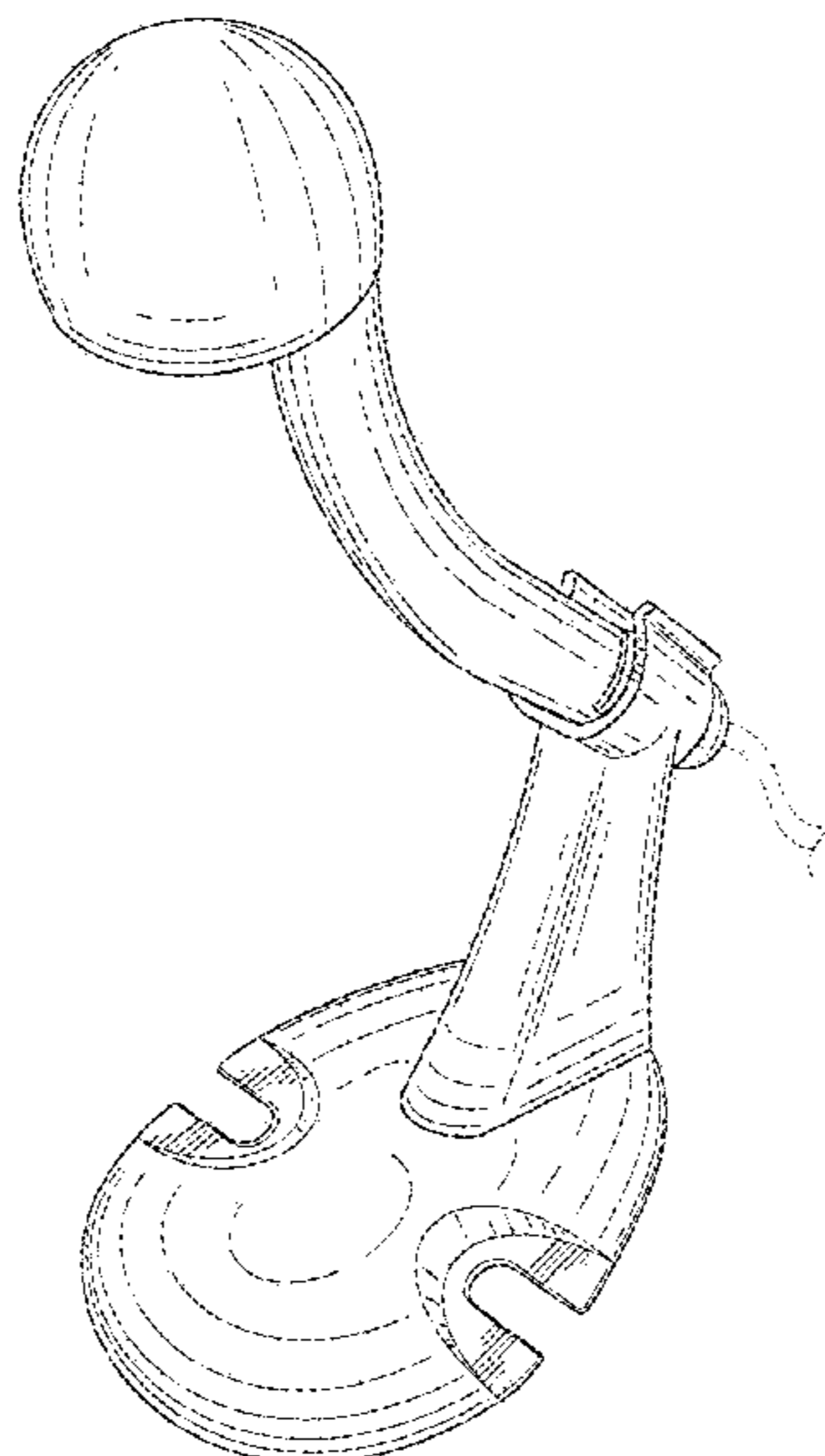


FIG. 1

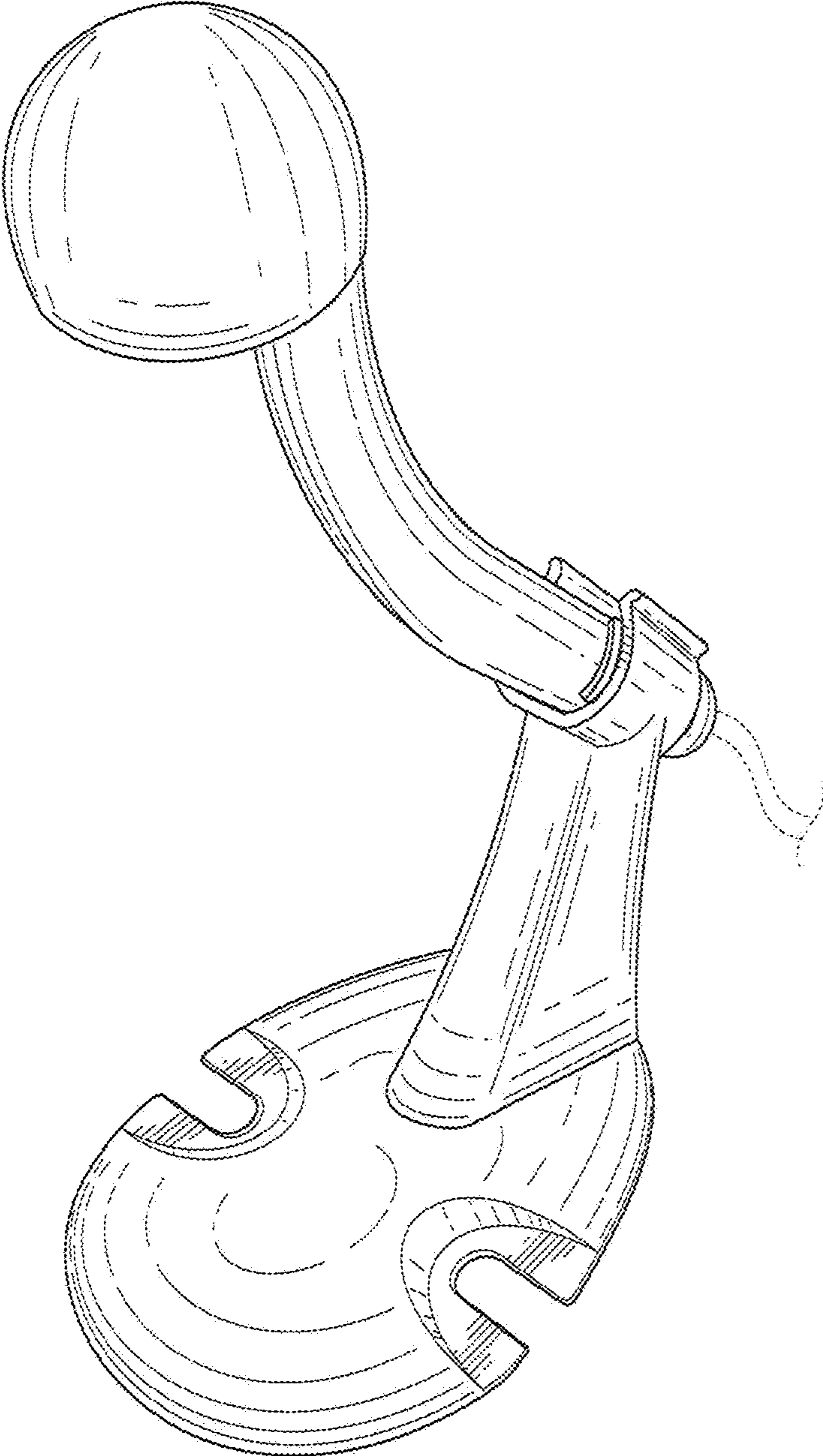


FIG. 2

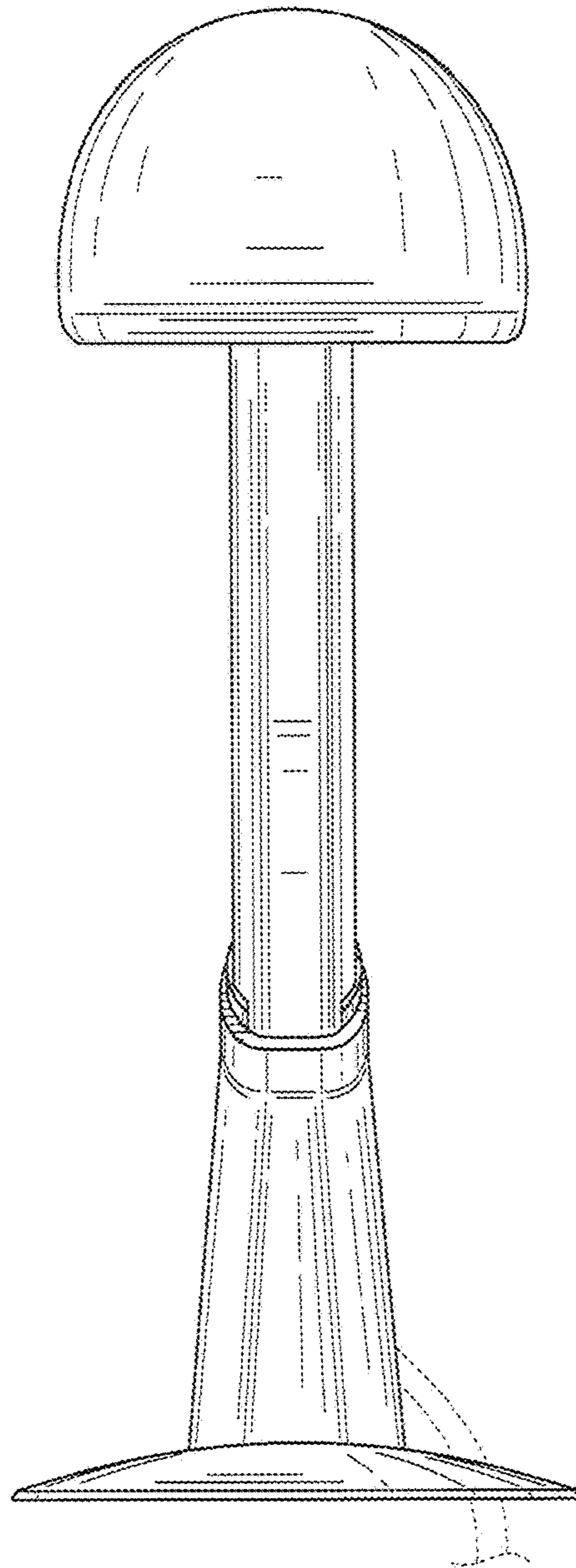


FIG. 3

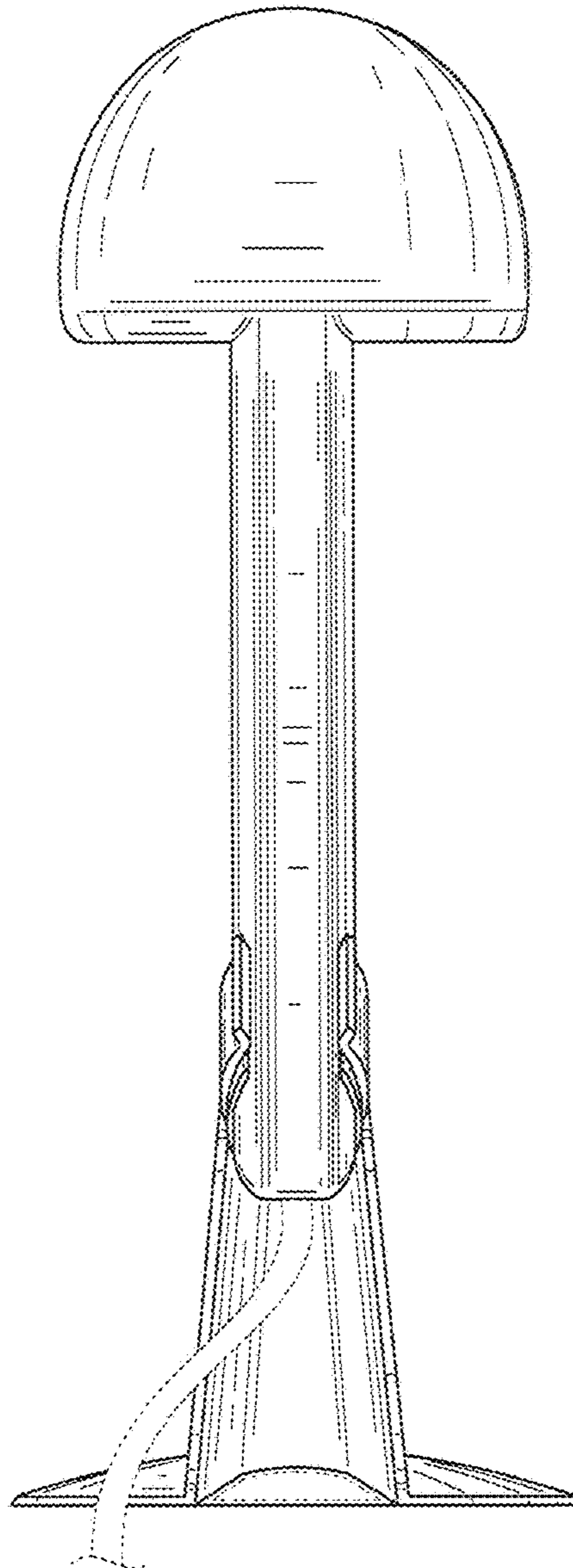


FIG. 4

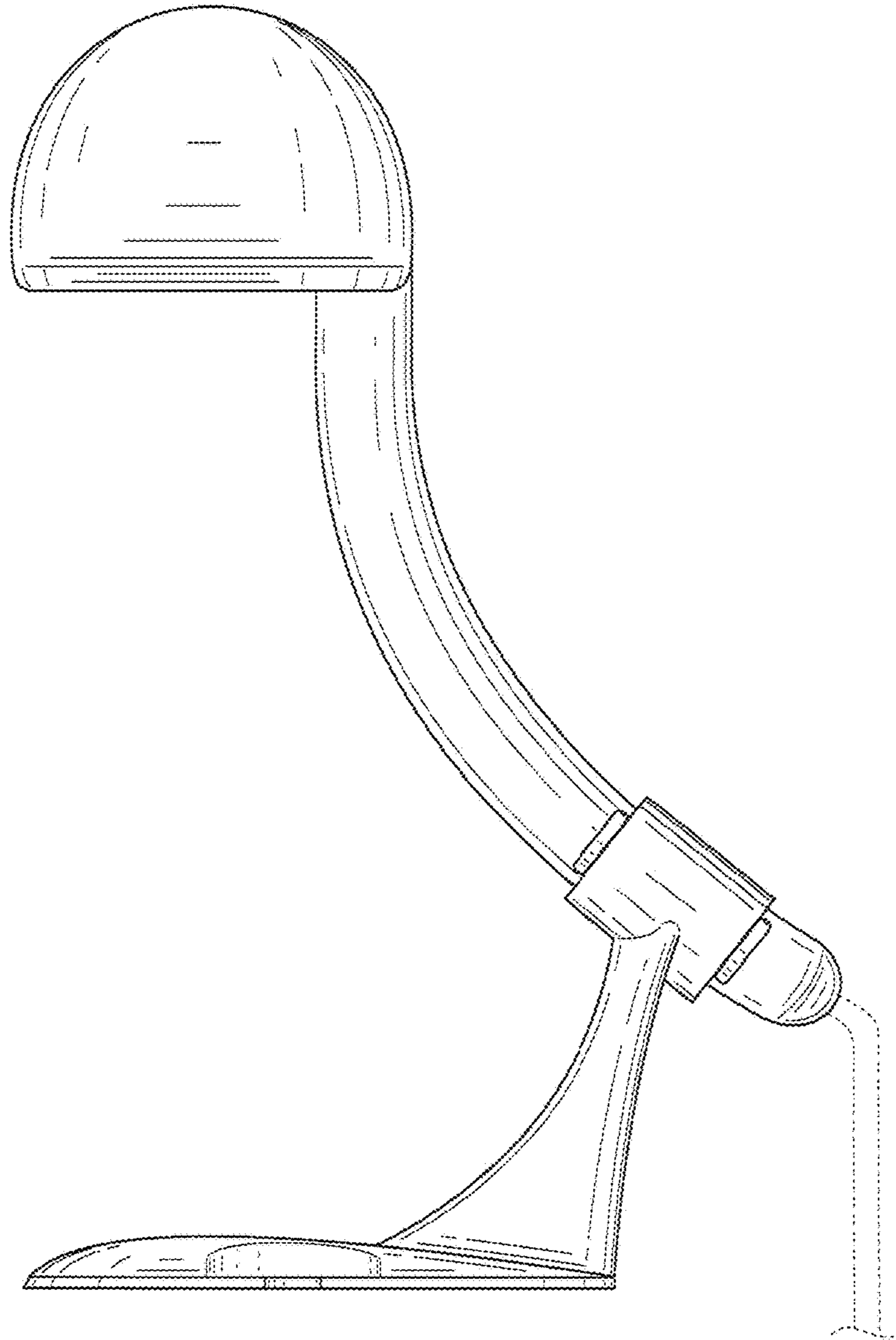


FIG. 5

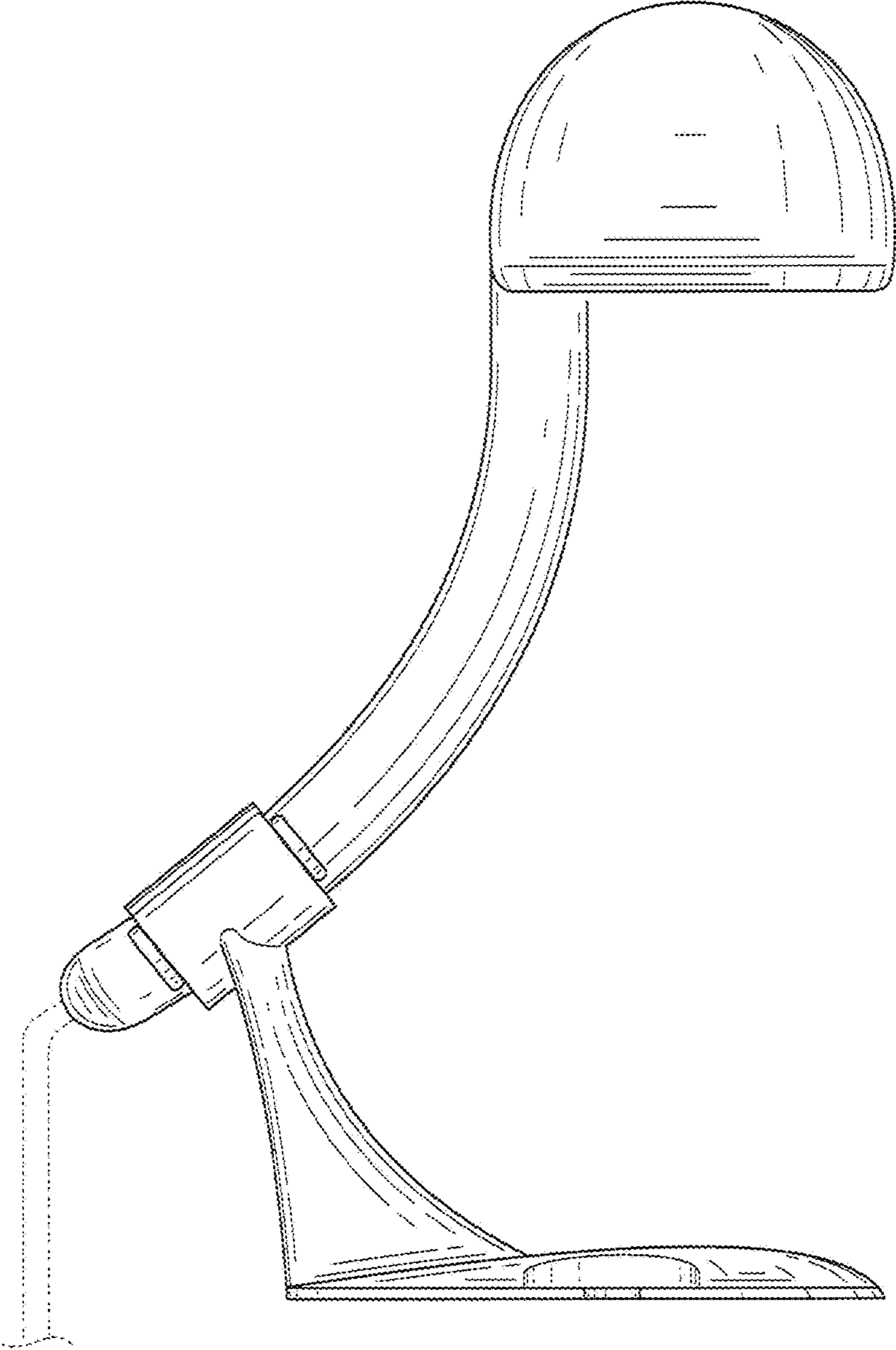


FIG. 6

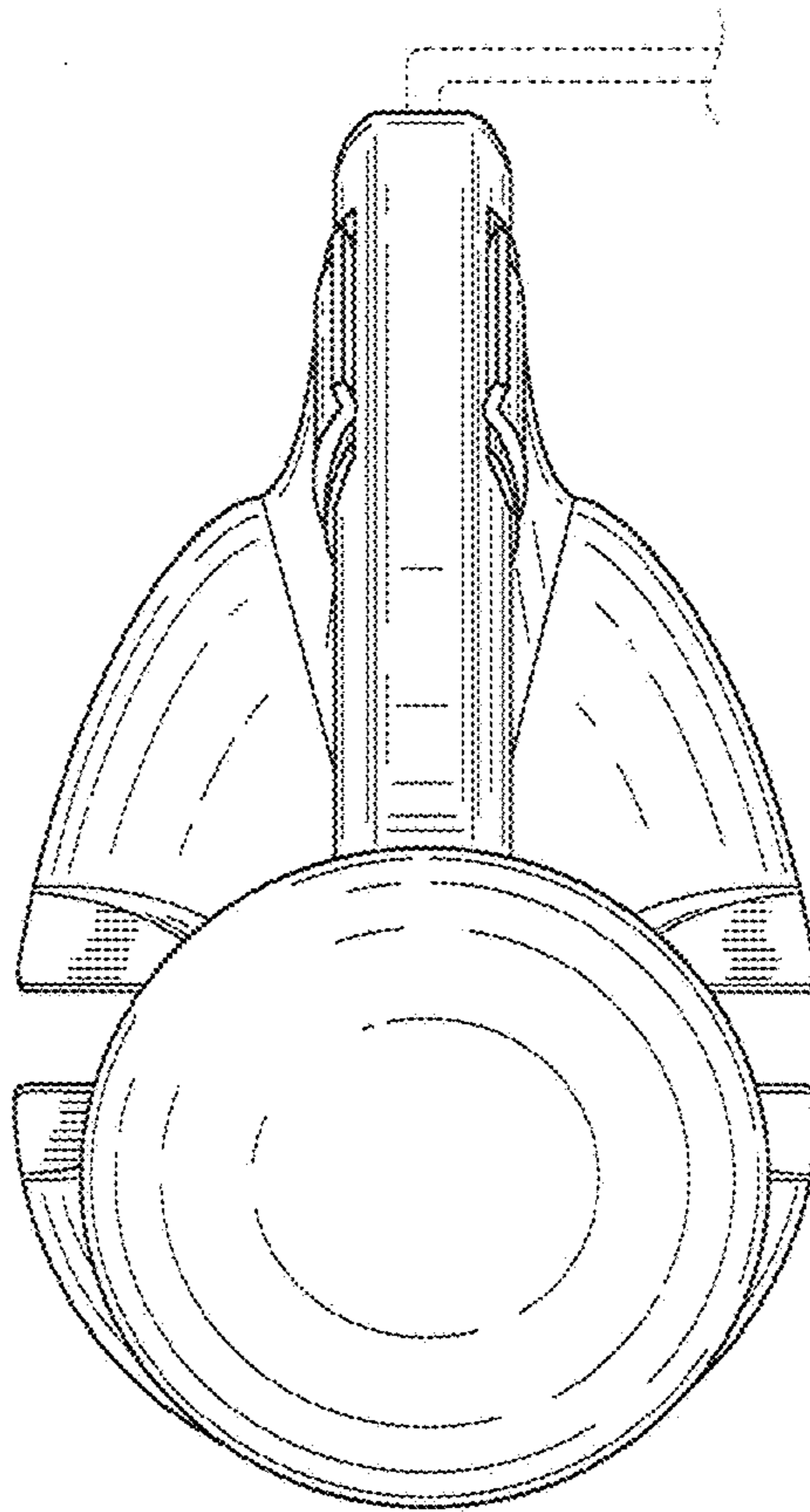


FIG. 7

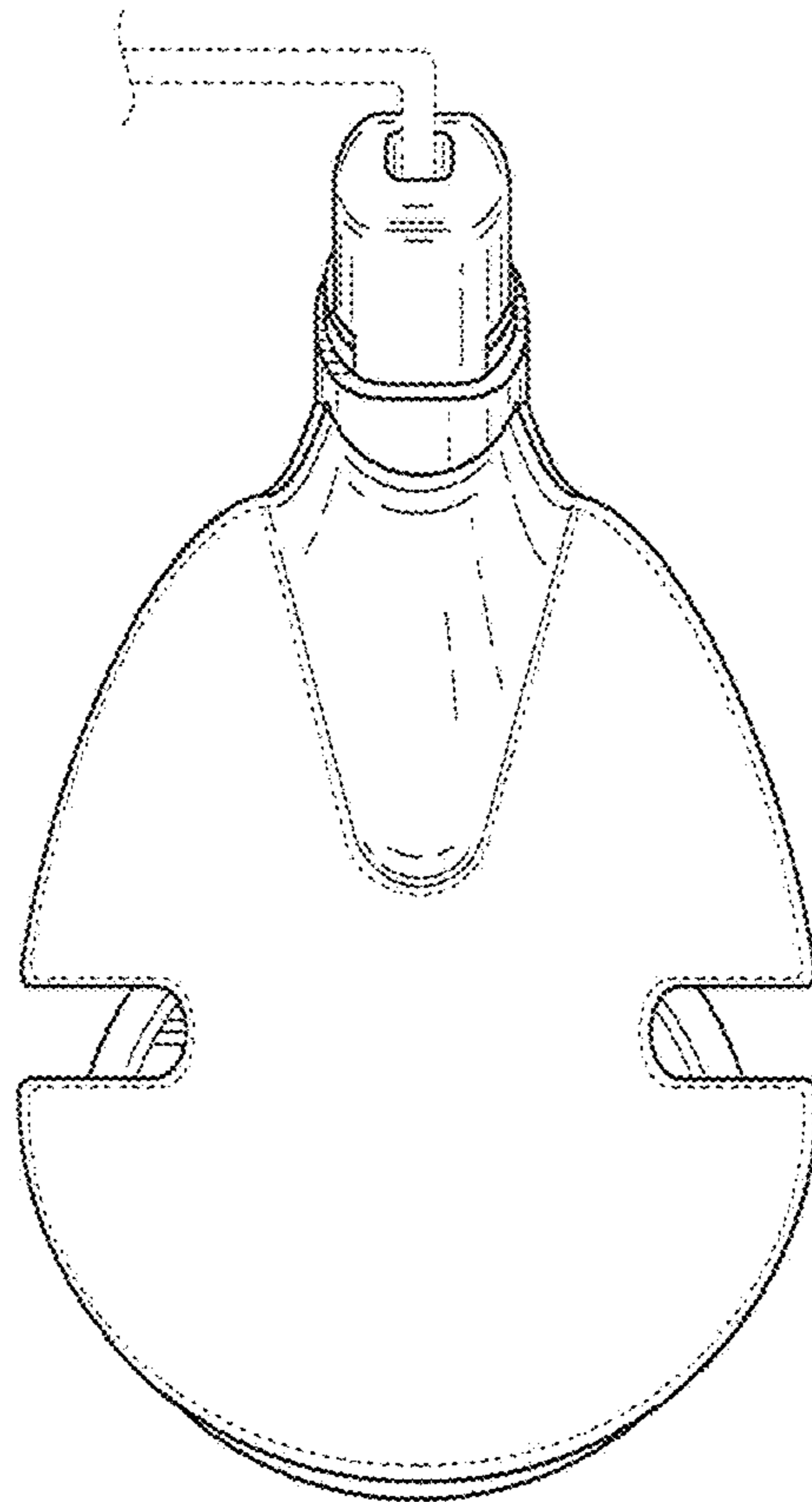




FIG. 8

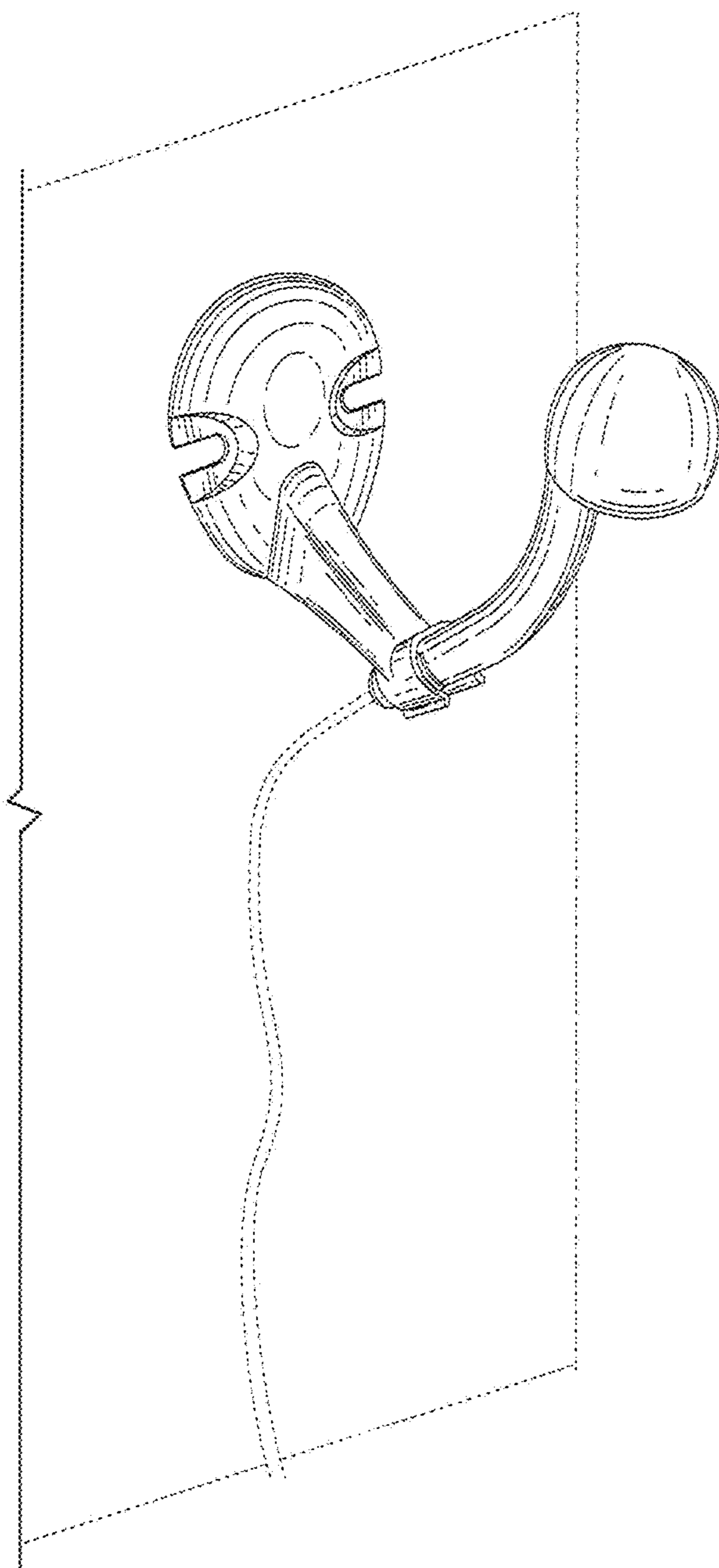


FIG. 9

