



US00D864173S

(12) **United States Design Patent** (10) **Patent No.:** **US D864,173 S**  
**Yang** (45) **Date of Patent:** **\*\* Oct. 22, 2019**

(54) **ANTENNA**

(71) Applicant: **SHENZHEN ANTOP TECHNOLOGY LIMITED**, Shenzhen (CN)

(72) Inventor: **Ruidian Yang**, Shenzhen (CN)

(73) Assignee: **SHENZHEN ANTOP TECHNOLOGY LIMITED**, Shenzhen (CN)

(\*\*) Term: **15 Years**

(21) Appl. No.: **29/615,105**

(22) Filed: **Aug. 25, 2017**

(51) **LOC (12) Cl.** ..... **14-03**

(52) **U.S. Cl.**  
USPC ..... **D14/230**

(58) **Field of Classification Search**  
USPC ... D14/230.1, 203.3, 203.6, 230-238, 238.1, D14/204, 216, 221, 240, 242, 299, 314, D14/343, 496, 509, 497, 498, 500, 506, D14/168-172, 188, 195, 211, 265  
CPC ..... H01Q 1/12; H01Q 1/22; H01Q 1/007; H01Q 1/38; H01Q 7/00; H01Q 9/40; H01Q 9/285; H01Q 9/065; H01Q 9/44; H01Q 9/265; H01Q 19/10; H01Q 19/106; H01Q 19/12; H01Q 19/13; H01Q 19/15; H01Q 19/30; H01Q 21/28; H01Q 21/06; H01Q 21/062; H01Q 21/293; G05D 1/02; G05D 1/0234

See application file for complete search history.

(56) **References Cited**

**U.S. PATENT DOCUMENTS**

D227,785 S \* 7/1973 Kaysen ..... D14/233  
D300,531 S \* 4/1989 Higgins ..... D14/230  
D355,416 S \* 2/1995 McCay ..... D14/137  
D361,767 S \* 8/1995 Tinaphong ..... D14/230

D363,935 S \* 11/1995 McGreevy ..... D14/230  
D426,827 S \* 6/2000 Tsai Wang ..... D14/230  
D444,144 S \* 6/2001 Warner ..... D14/230

(Continued)

**OTHER PUBLICATIONS**

Antop UFO Omni Outdoor Antenna Review, online, post date Aug. 2016, URL: <https://nocable.org/reviews/antop-65-mile-ufo-omni-indoor-outdoor-antenna>, retrieved May 22, 2019.\*

*Primary Examiner* — Jeffrey D Asch

*Assistant Examiner* — Rebekah A Caruso

(74) *Attorney, Agent, or Firm* — Muncy, Geissler, Olds & Lowe, P.C.

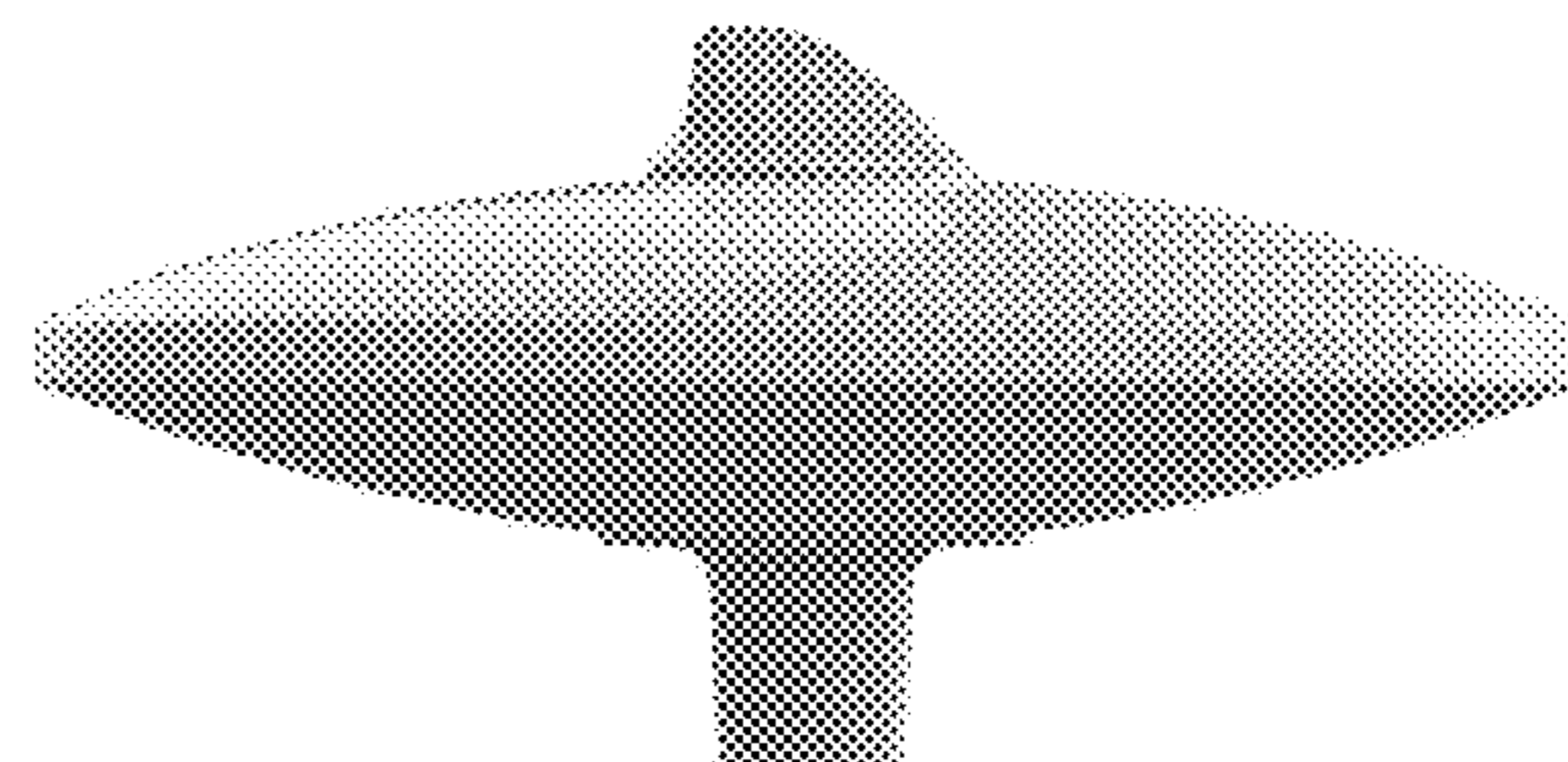
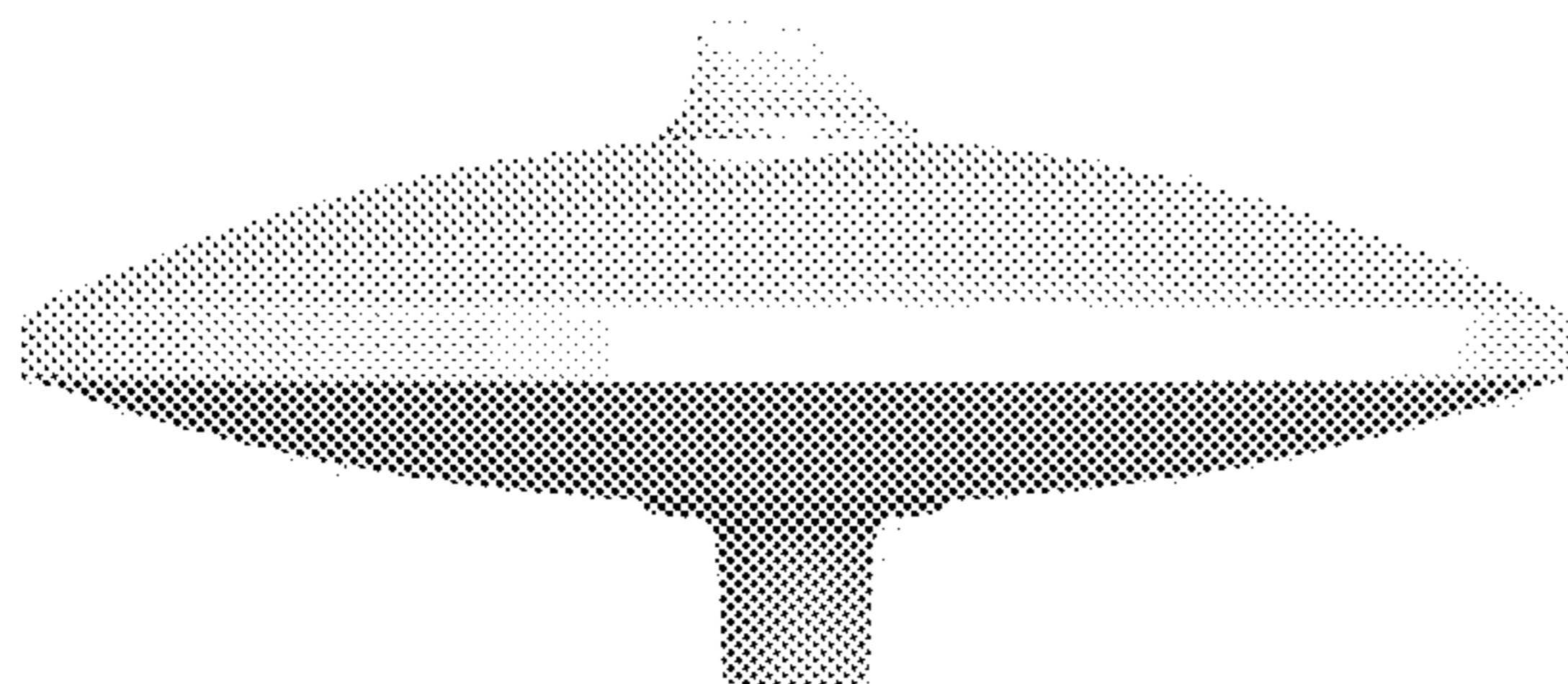
(57) **CLAIM**

The ornamental design for an antenna, as shown and described.

**DESCRIPTION**

FIG. 1 is a front elevational view of an antenna showing my new design;  
FIG. 2 is a rear elevational view thereof;  
FIG. 3 is a right side view thereof;  
FIG. 4 is a left side view thereof;  
FIG. 5 is a top plan view thereof;  
FIG. 6 is a bottom plan view thereof;  
FIG. 7 is a rear, right, top perspective view thereof;  
FIG. 8 is a front, bottom perspective view thereof; and  
FIG. 9 is a rear, left perspective view thereof;  
FIG. 10 is a front elevational view of a second embodiment of an antenna showing my new design;  
FIG. 11 is a rear elevational view thereof;  
FIG. 12 is a right side view thereof;  
FIG. 13 is a left side view thereof;  
FIG. 14 is a top plan view thereof;  
FIG. 15 is a bottom plan view thereof;  
FIG. 16 is a rear, right, top perspective view thereof;  
FIG. 17 is a front, bottom perspective view thereof; and,  
FIG. 18 is a rear, left perspective view thereof.

**1 Claim, 18 Drawing Sheets**



(56)

**References Cited**

U.S. PATENT DOCUMENTS

D467,242	S	*	12/2002	Warner	.....	D14/230
D518,819	S	*	4/2006	Gray	.....	D14/230
D543,975	S	*	6/2007	McCown	.....	D14/230
D610,577	S	*	2/2010	Jenkins	.....	D14/238
D611,460	S	*	3/2010	Chao	.....	D14/230
D617,319	S	*	6/2010	Maffetone	.....	D14/230
D695,725	S	*	12/2013	Taeger	.....	D14/230
D698,765	S	*	2/2014	Bremaud	.....	D14/231
D772,163	S	*	11/2016	Kambayashi	.....	H01M 2/365 D13/119
D773,443	S	*	12/2016	Sano	.....	D14/230
D775,612	S	*	1/2017	Sano	.....	D14/230
D791,109	S	*	7/2017	Wallace	.....	D14/233
D807,863	S	*	1/2018	Ploetz	.....	D14/230
D829,696	S	*	10/2018	Wallace	.....	D14/233
2019/0051990	A1	*	2/2019	Luo	.....	H01Q 19/10

\* cited by examiner

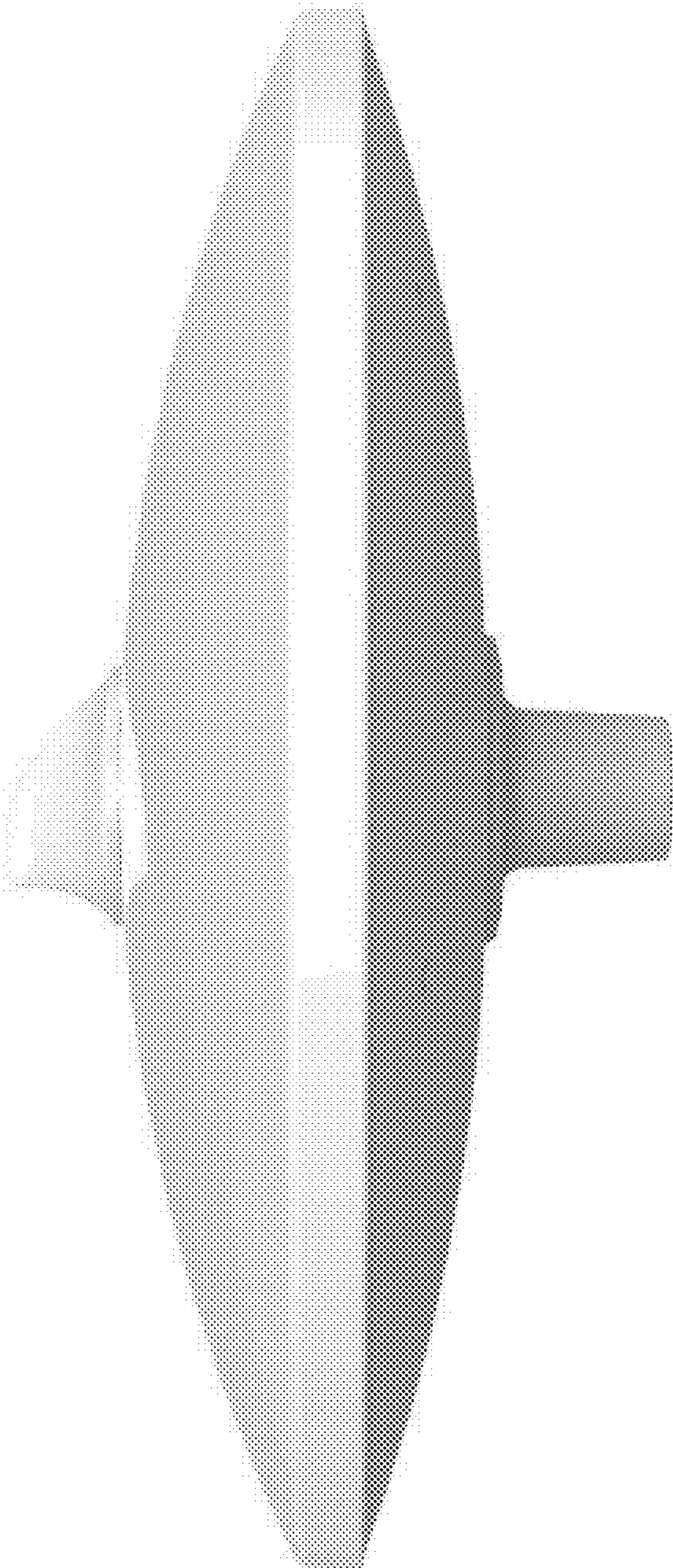


FIG. 1

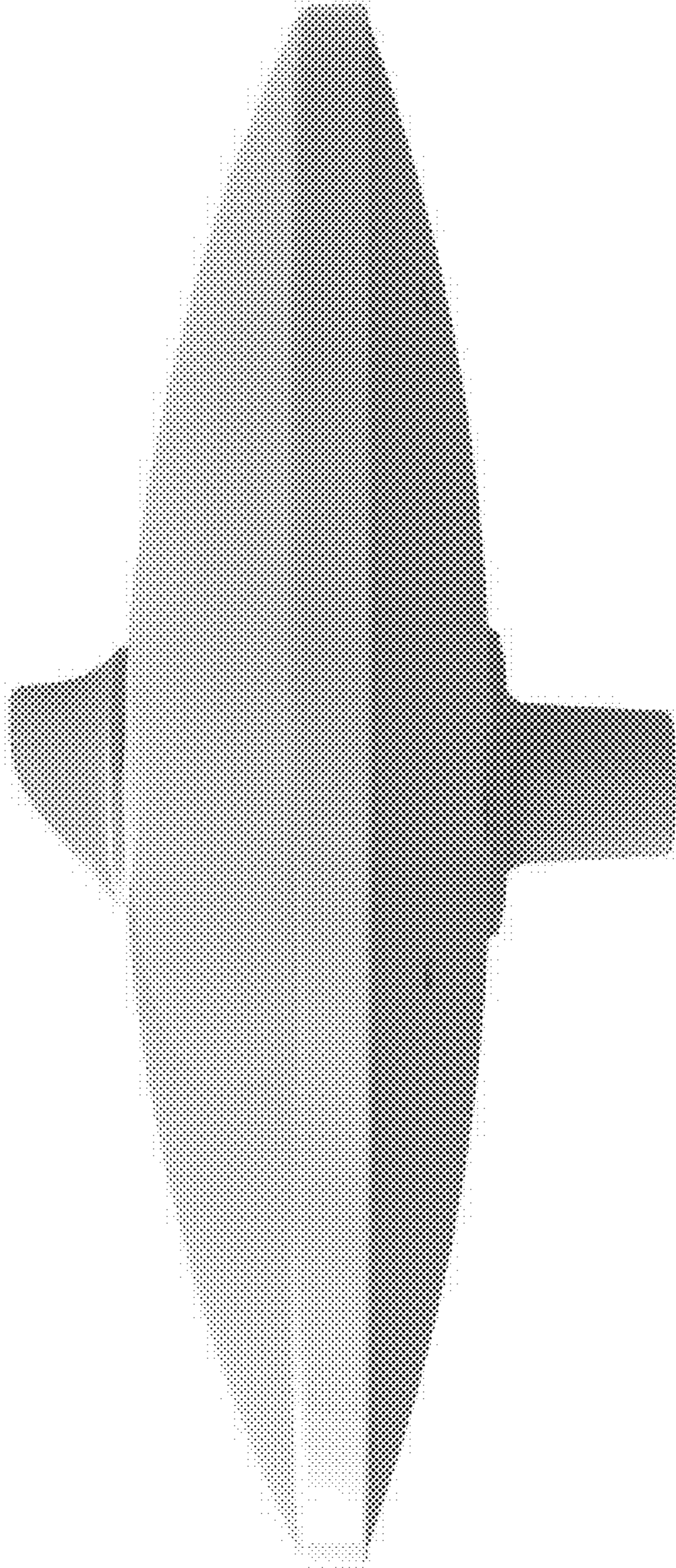


FIG. 2

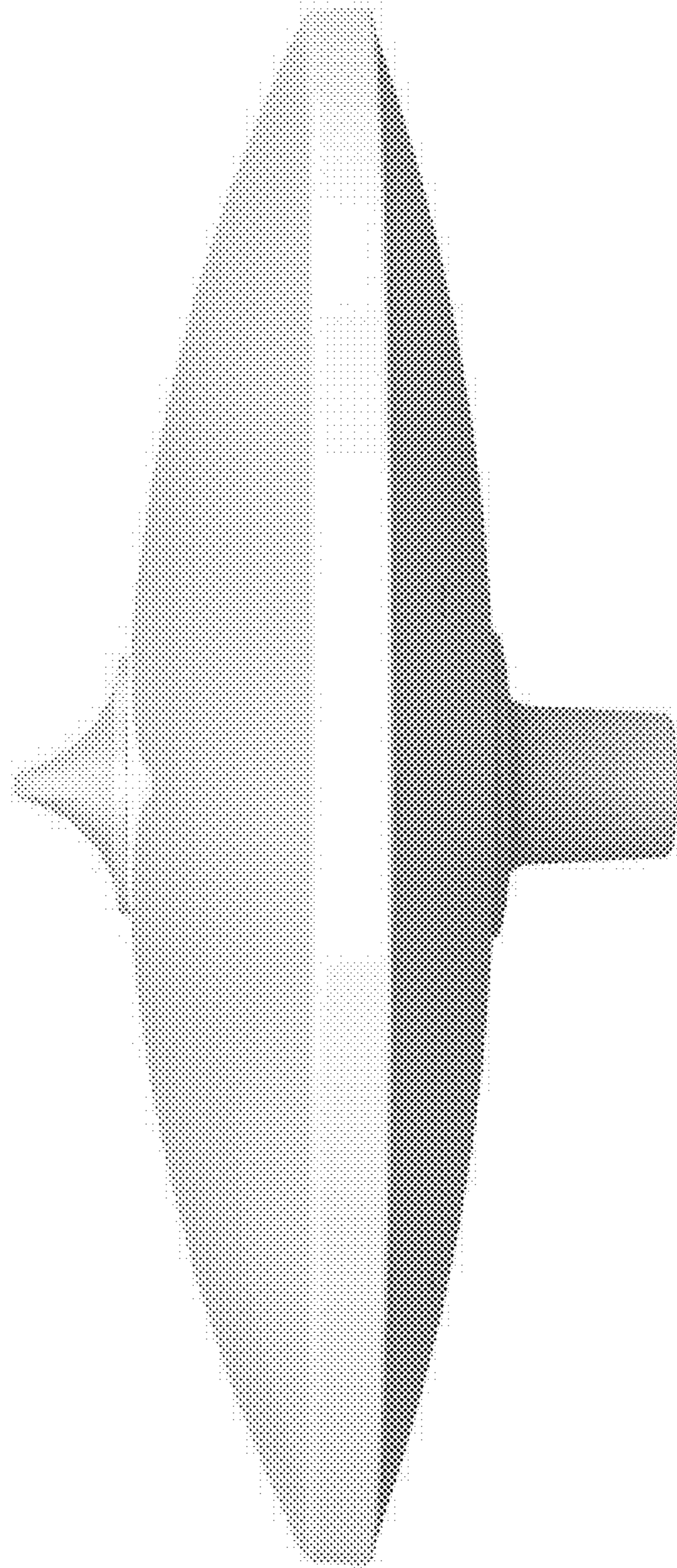


FIG. 3

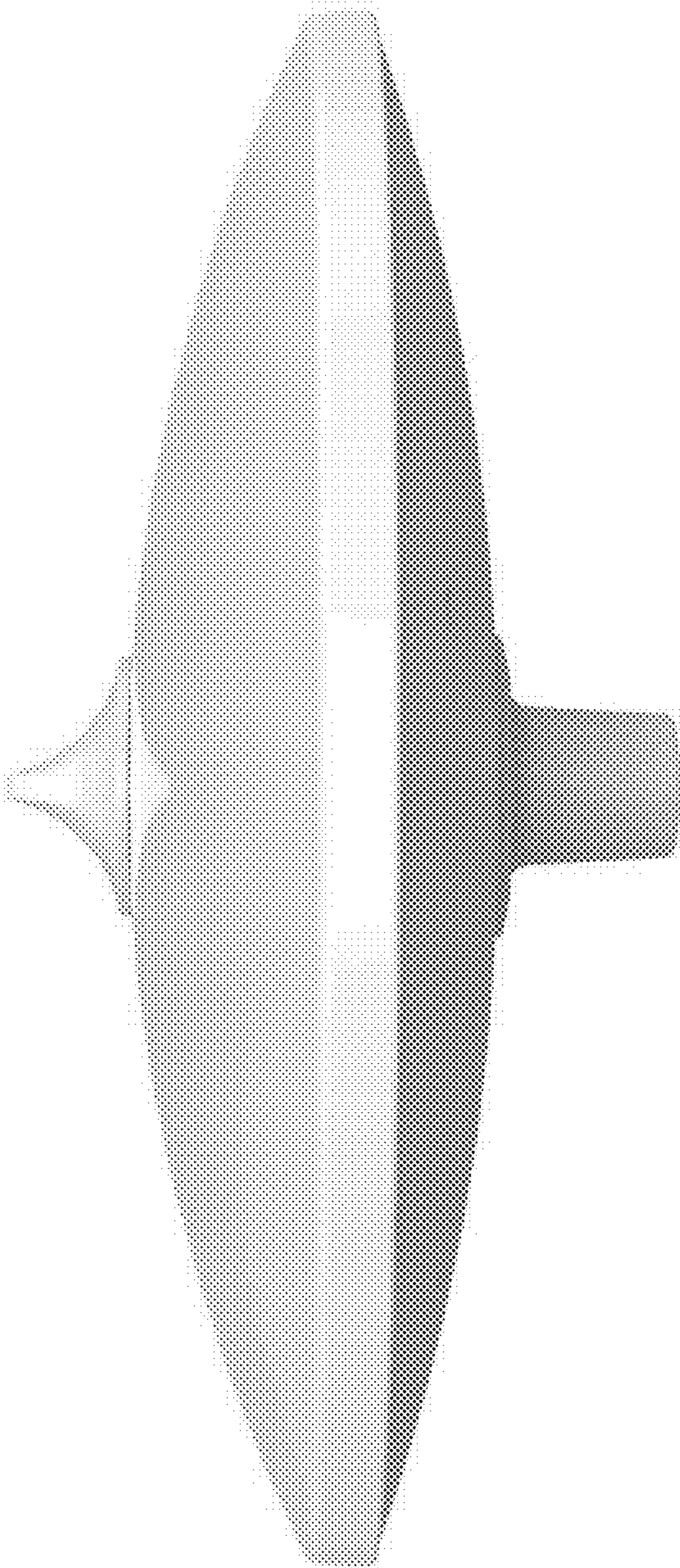


FIG. 4

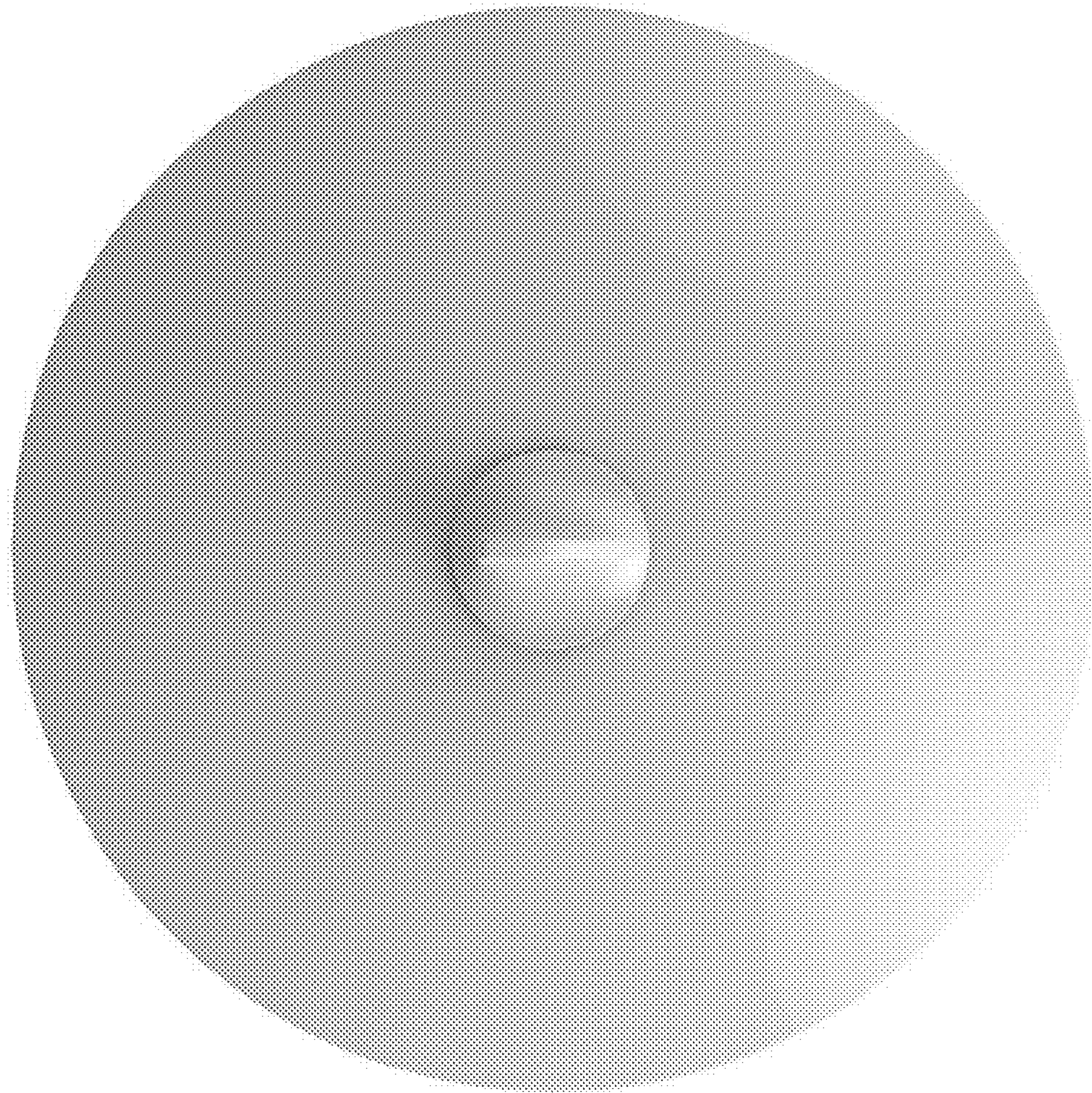


FIG. 5



FIG. 6



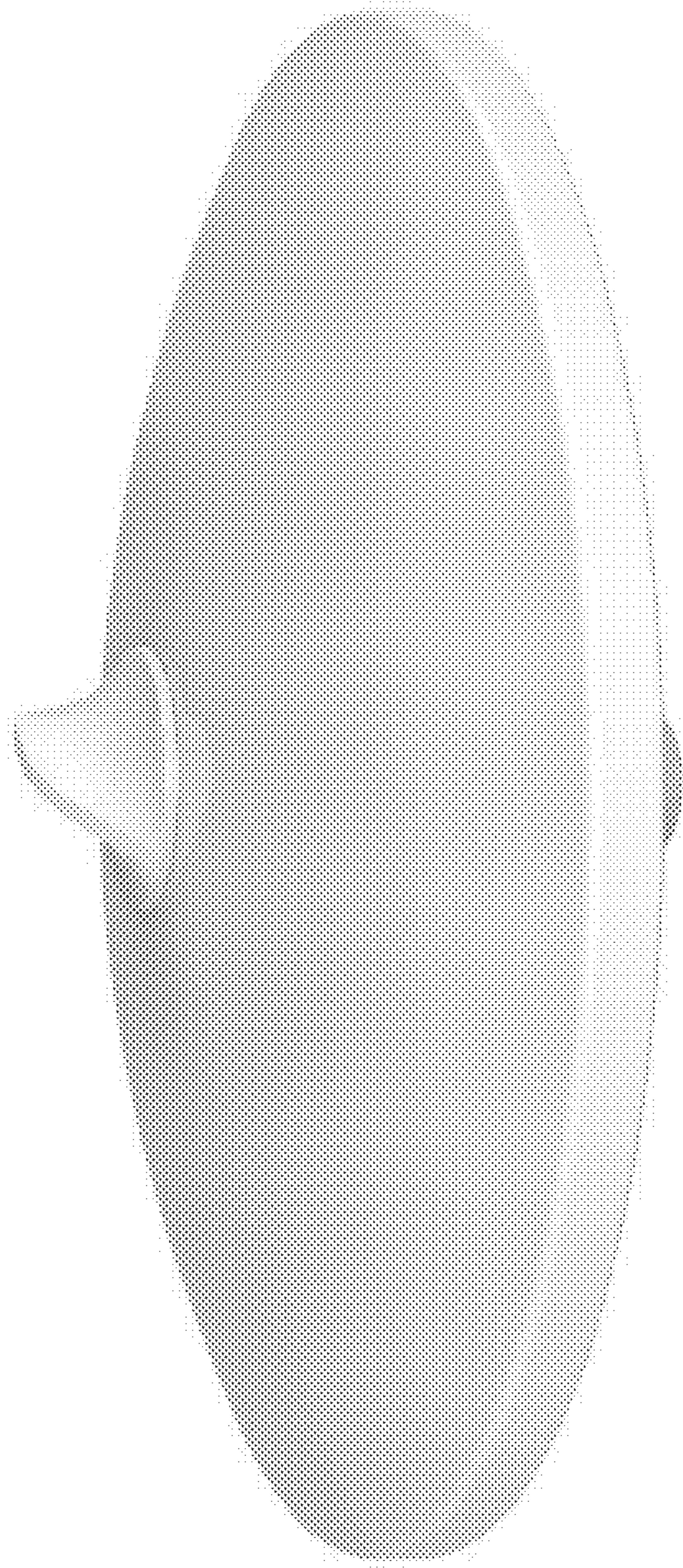


FIG. 7

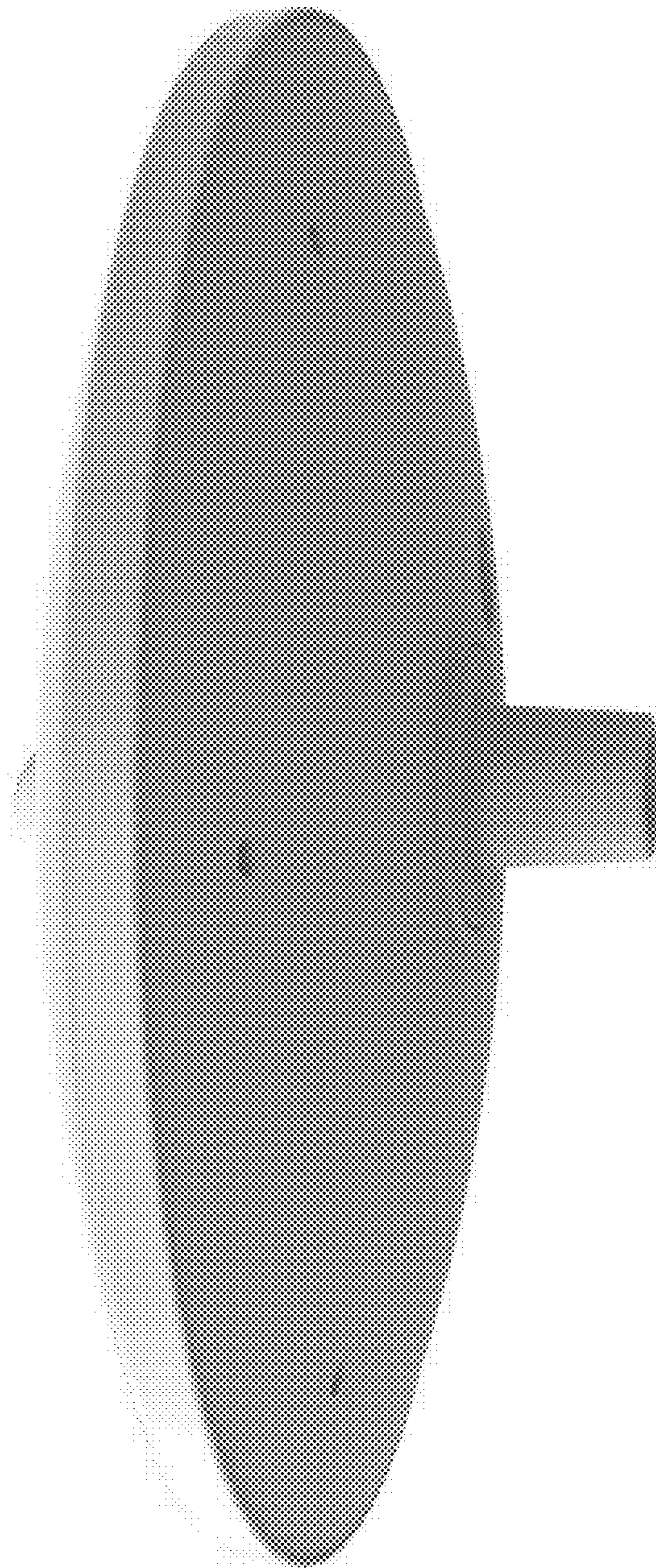


FIG. 8



FIG. 9

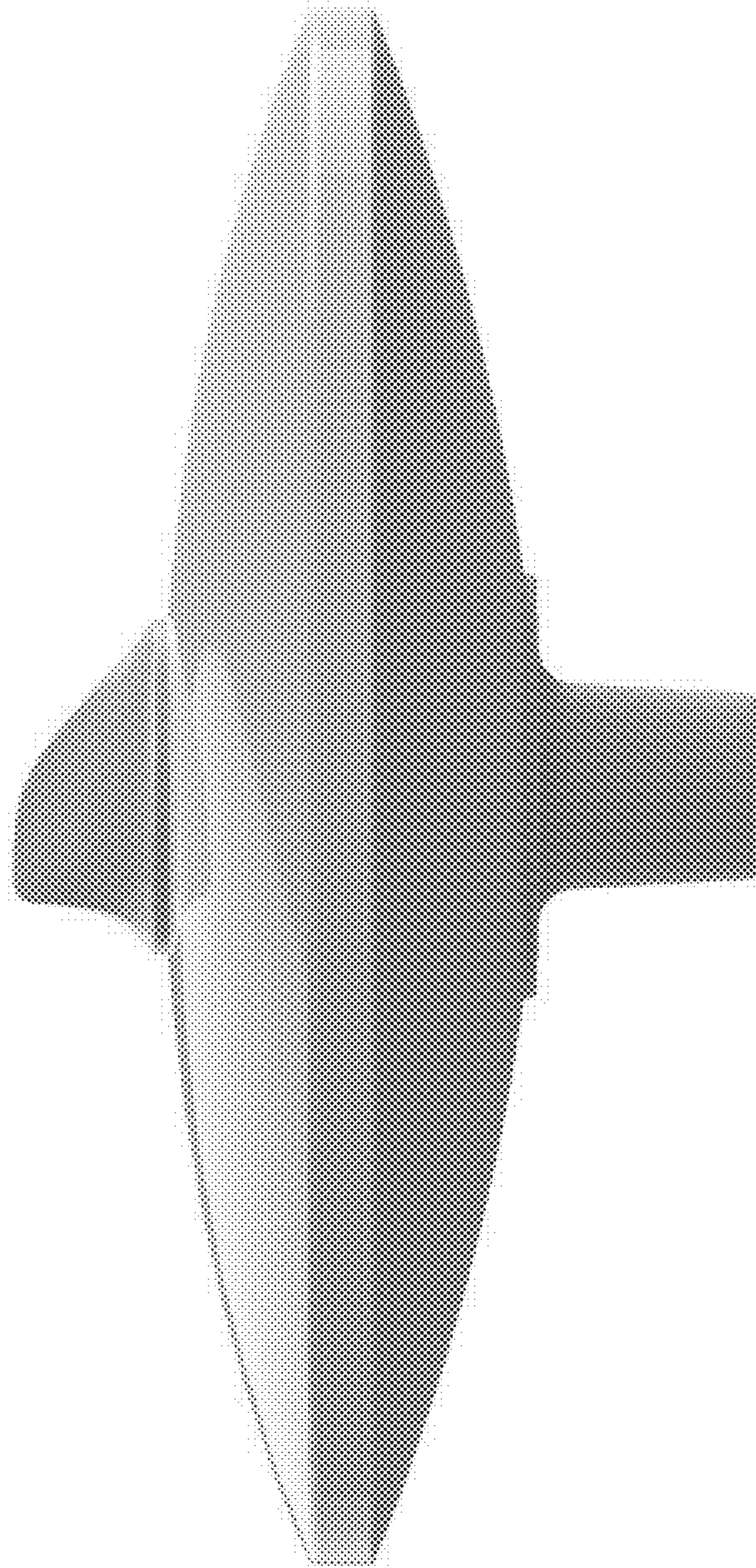


FIG. 10

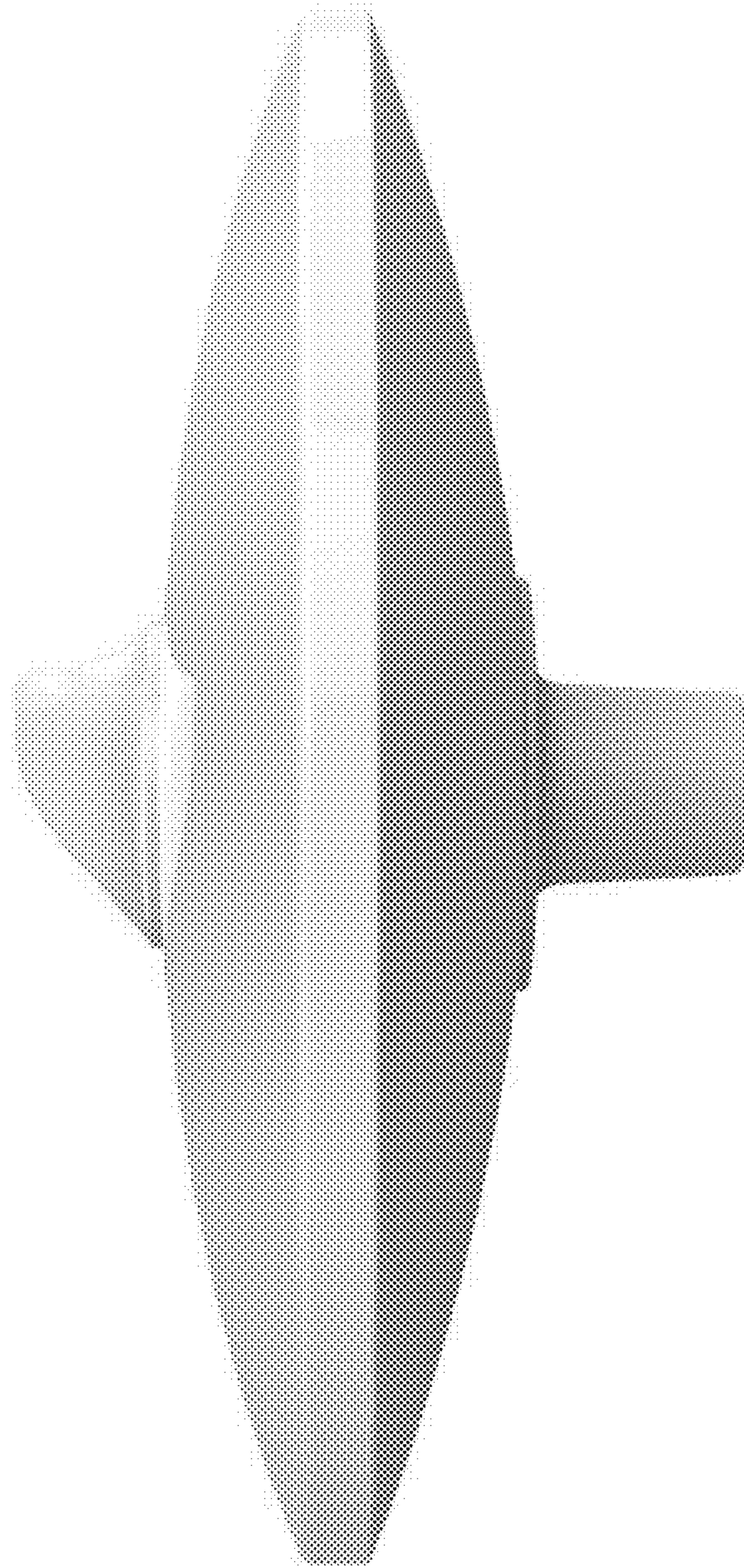


FIG. 11

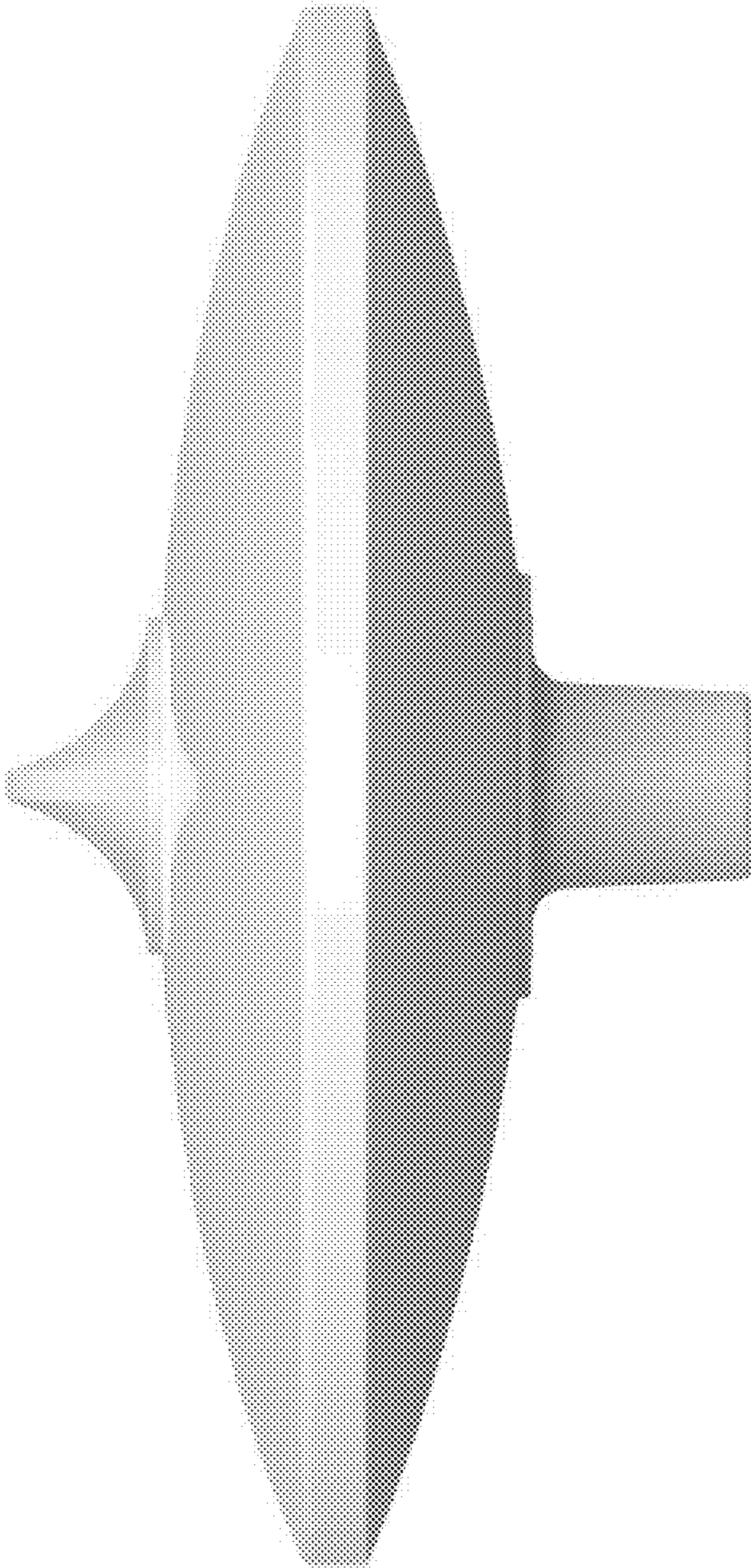


FIG. 12

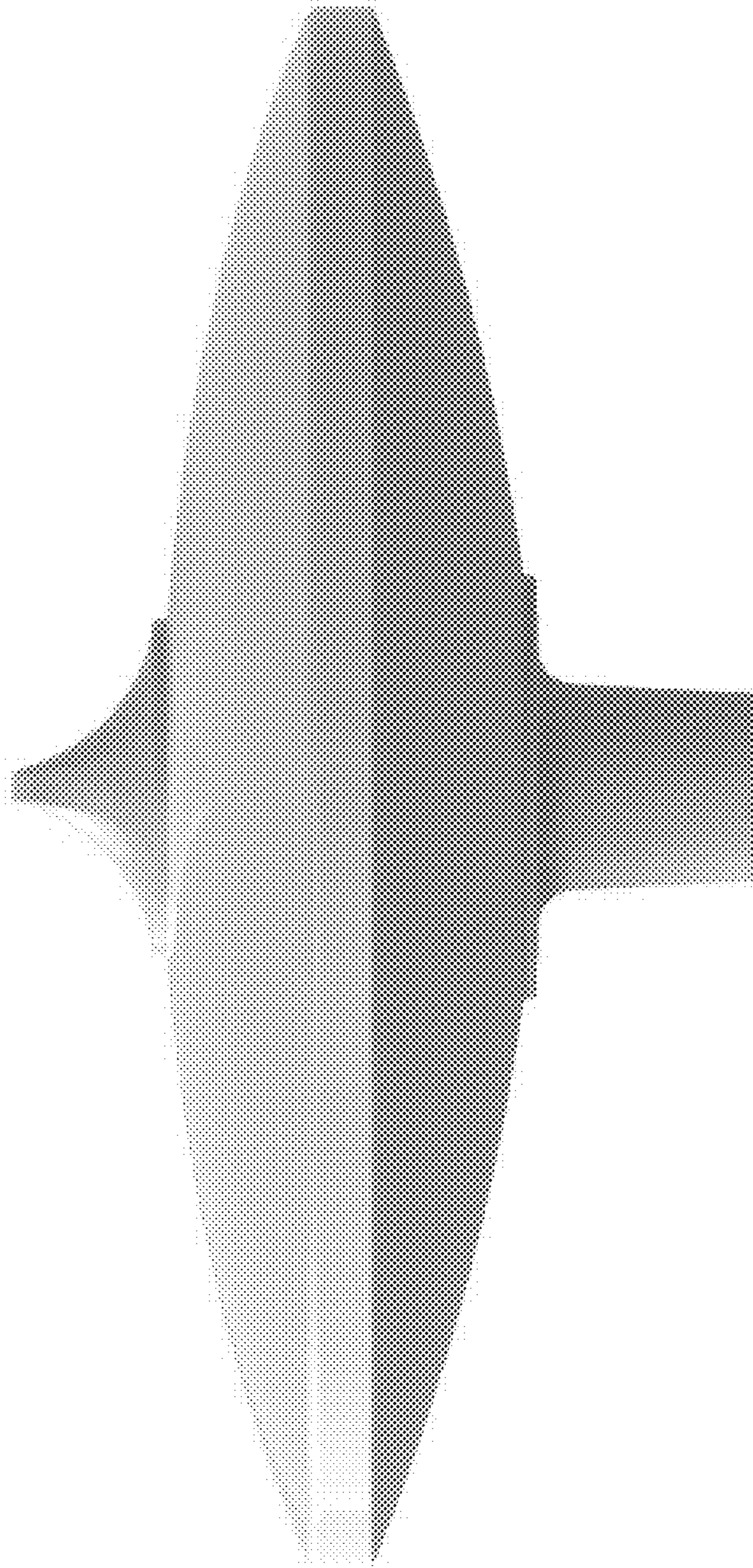


FIG. 13

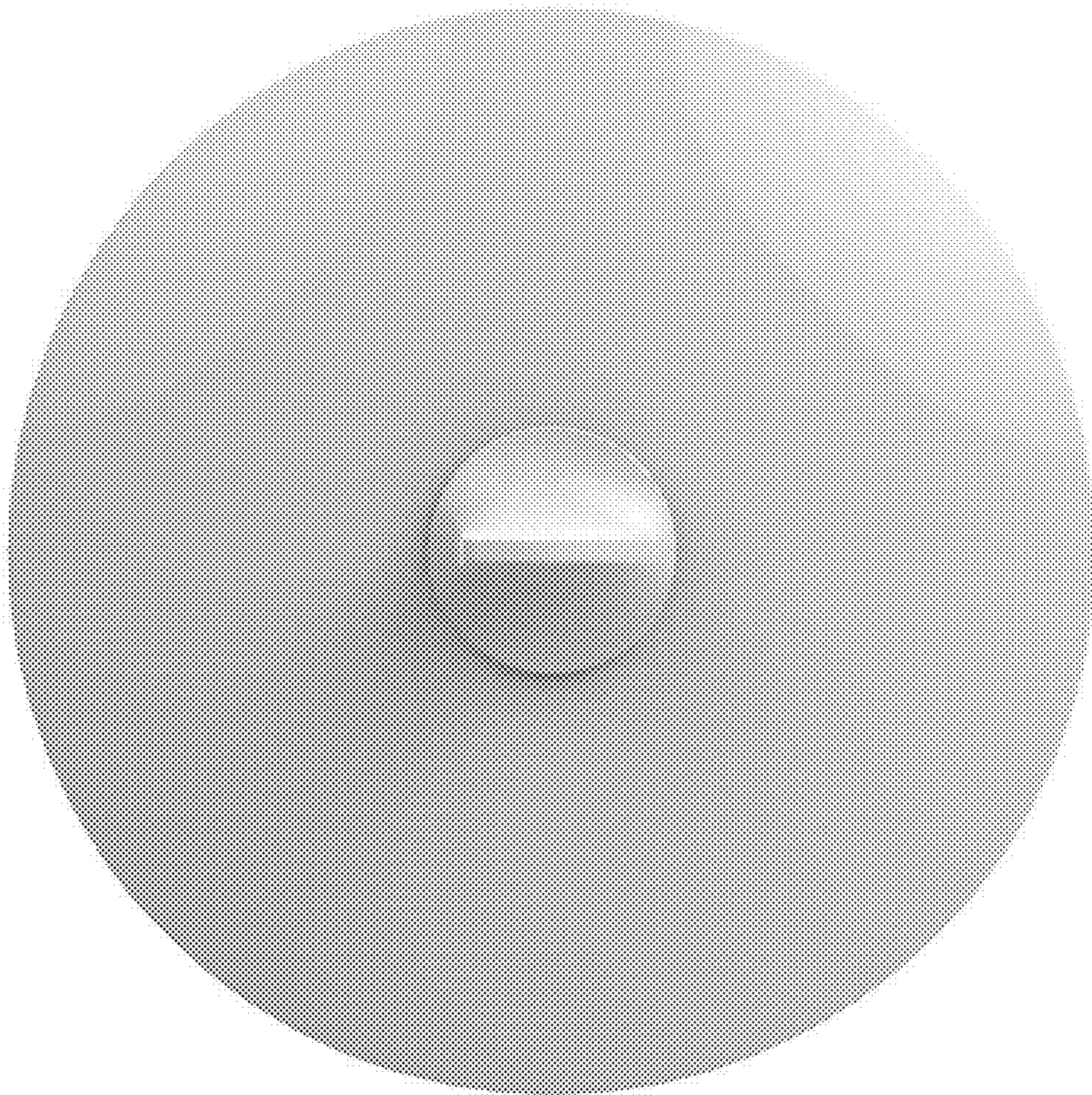


FIG. 14



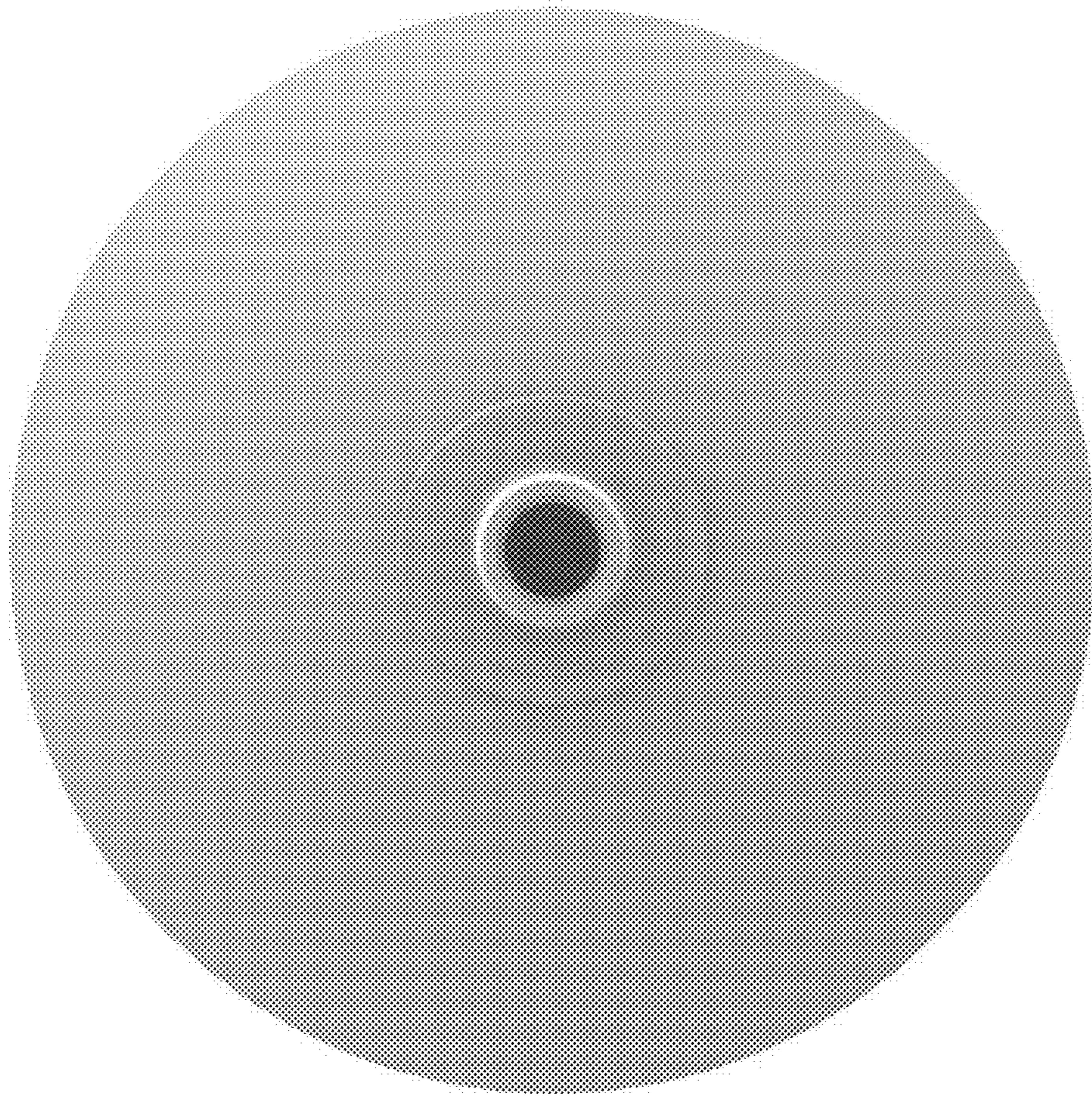


FIG. 15

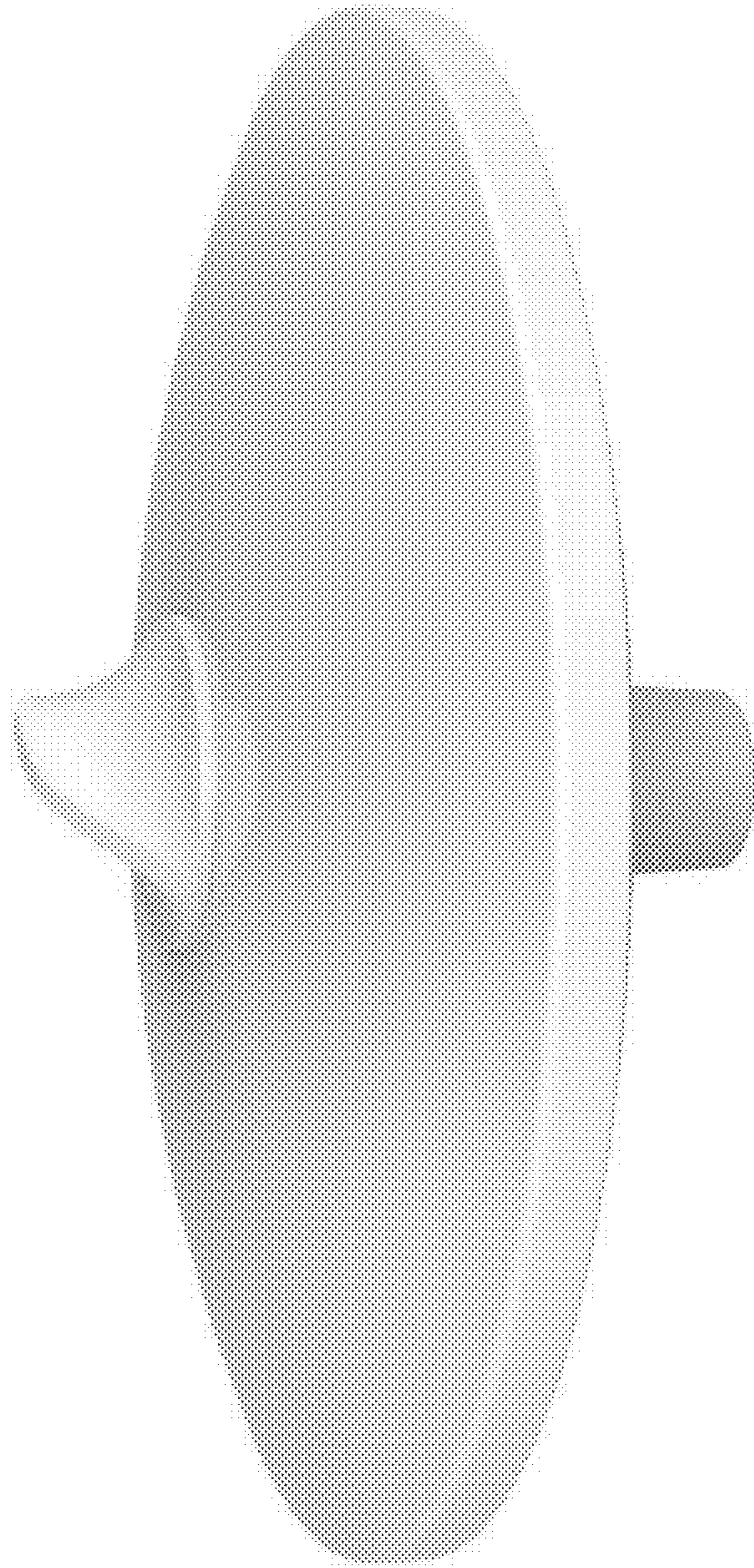


FIG. 16

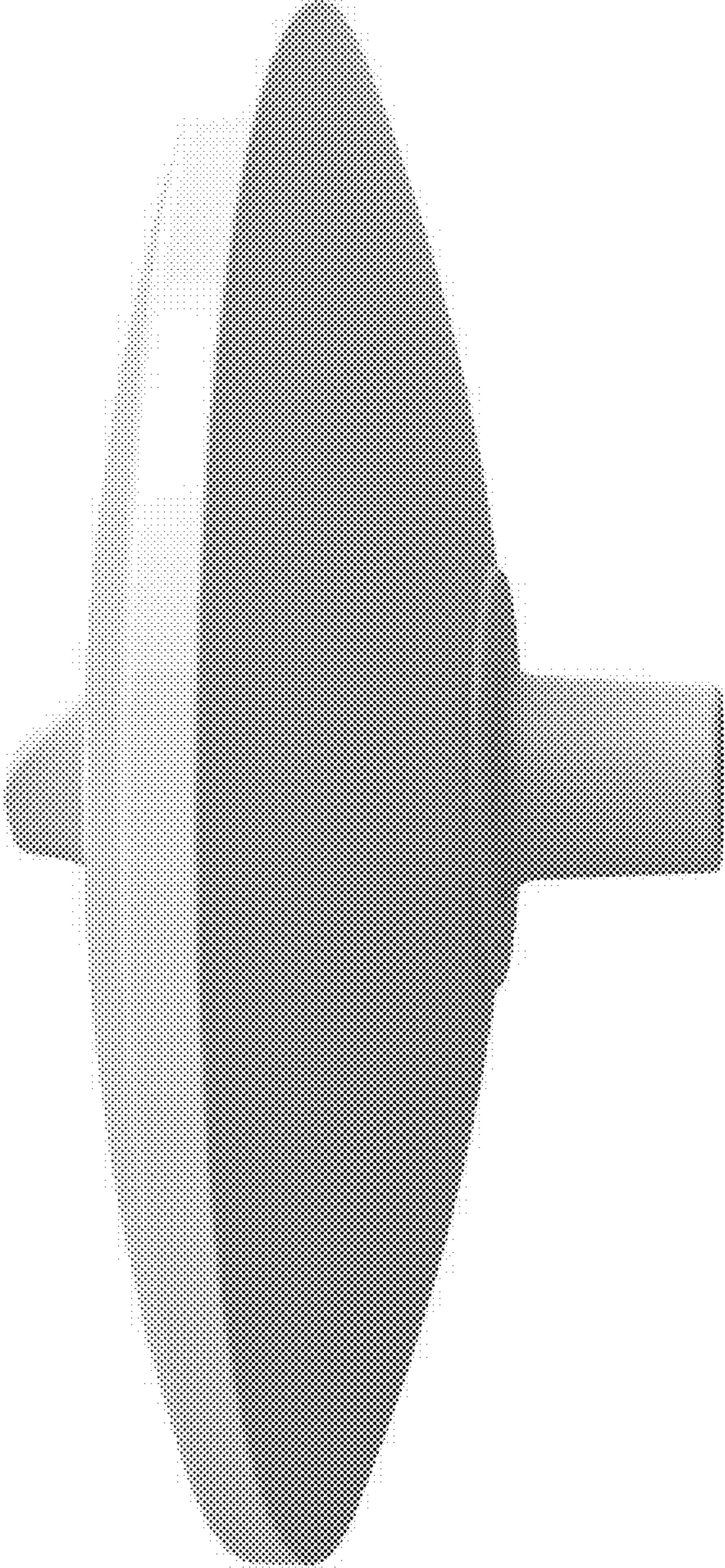


FIG. 17

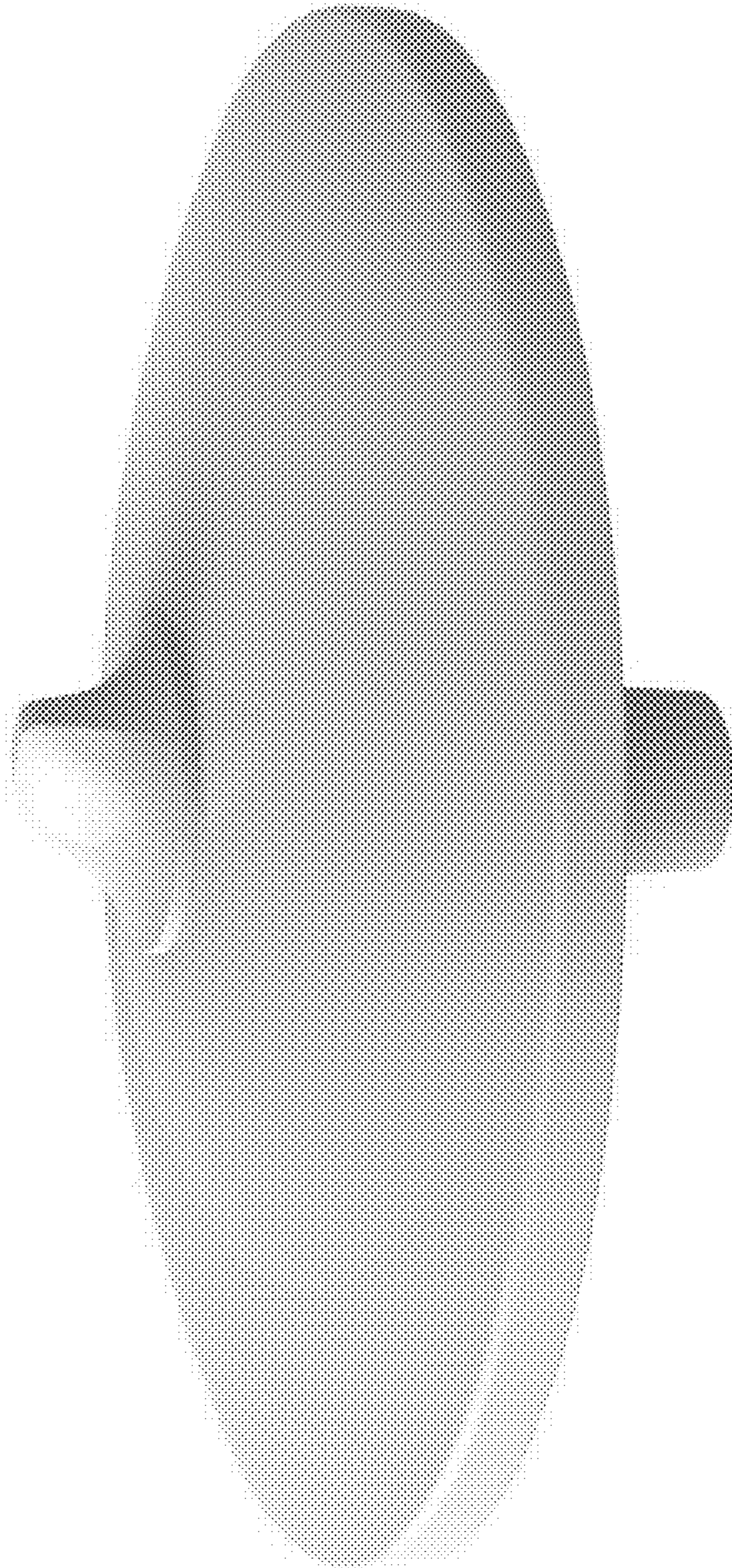


FIG. 18