

US00D864170S

(12) **United States Design Patent**
Loidl

(10) **Patent No.:** **US D864,170 S**
(45) **Date of Patent:** **** Oct. 22, 2019**

(54) **SPIKE FOR A LOUDSPEAKER**

FOREIGN PATENT DOCUMENTS

(71) Applicant: **VIABLUE GMBH**, Malsch (DE)

WO D101076-001 * 5/2018
WO D101076-002 * 5/2018

(72) Inventor: **Jörg Loidl**, Malsch (DE)

(Continued)

(**) Term: **15 Years**

OTHER PUBLICATIONS

(21) Appl. No.: **35/504,997**

Viablue Spikes QTC Argento (Silver)—50115, announced Feb. 20, 2017 [online], [retrieved Feb. 12, 2019]. Available from Internet, URL: <<https://www.youtube.com/watch?v=TkCfcLqILg4>> (Year: 2017).*

(22) Filed: **Mar. 26, 2018**

(Continued)

(80) **Hague Agreement Data**

Int. Filing Date: **Mar. 26, 2018**

Int. Reg. No.: **DM/101076**

Int. Reg. Date: **Mar. 26, 2018**

Int. Reg. Pub. Date: **May 25, 2018**

Primary Examiner — Barbara Fox

Assistant Examiner — Dana K Weiland

(74) *Attorney, Agent, or Firm* — Alexander R. Schlee;
Schlee IP International, PC

(51) **LOC (12) Cl.** **14-01**

(52) **U.S. Cl.**
USPC **D14/224; D14/217**

(58) **Field of Classification Search**

USPC D14/172, 194, 204, 210–216, 209.1, 221,
D14/224, 217; D12/213, 223, 400;
D8/397, 394, 382, 349, 387, 388, 391,
D8/393, 399; D2/906, 946, 962, 963,
D2/966, 968

CPC . H04R 1/00; H04R 1/02; H04R 1/026; H04R
1/16; H04R 2400/00

See application file for complete search history.

(57) **CLAIM**

The ornamental design for a spike for a loudspeaker, as shown and described.

DESCRIPTION

The patent or application file contains at least one drawing executed in color. Copies of this patent or patent application publication with color drawing(s) will be provided by the Office upon request and payment of the necessary fee.

Spike for a loudspeaker

1.1 is a side view of a spike for a loudspeaker showing the new design, the front, back, right and left side views being identical;

1.2 is a top view thereof;

1.3 is a bottom perspective view thereof;

1.4 is a bottom view thereof; and

1.5 is a top perspective view thereof.

The portion of the spike for a loudspeaker as shown in the color yellow forms no part of the claimed design.

The spike is for loudspeakers and other equipment to prevent vibrations.

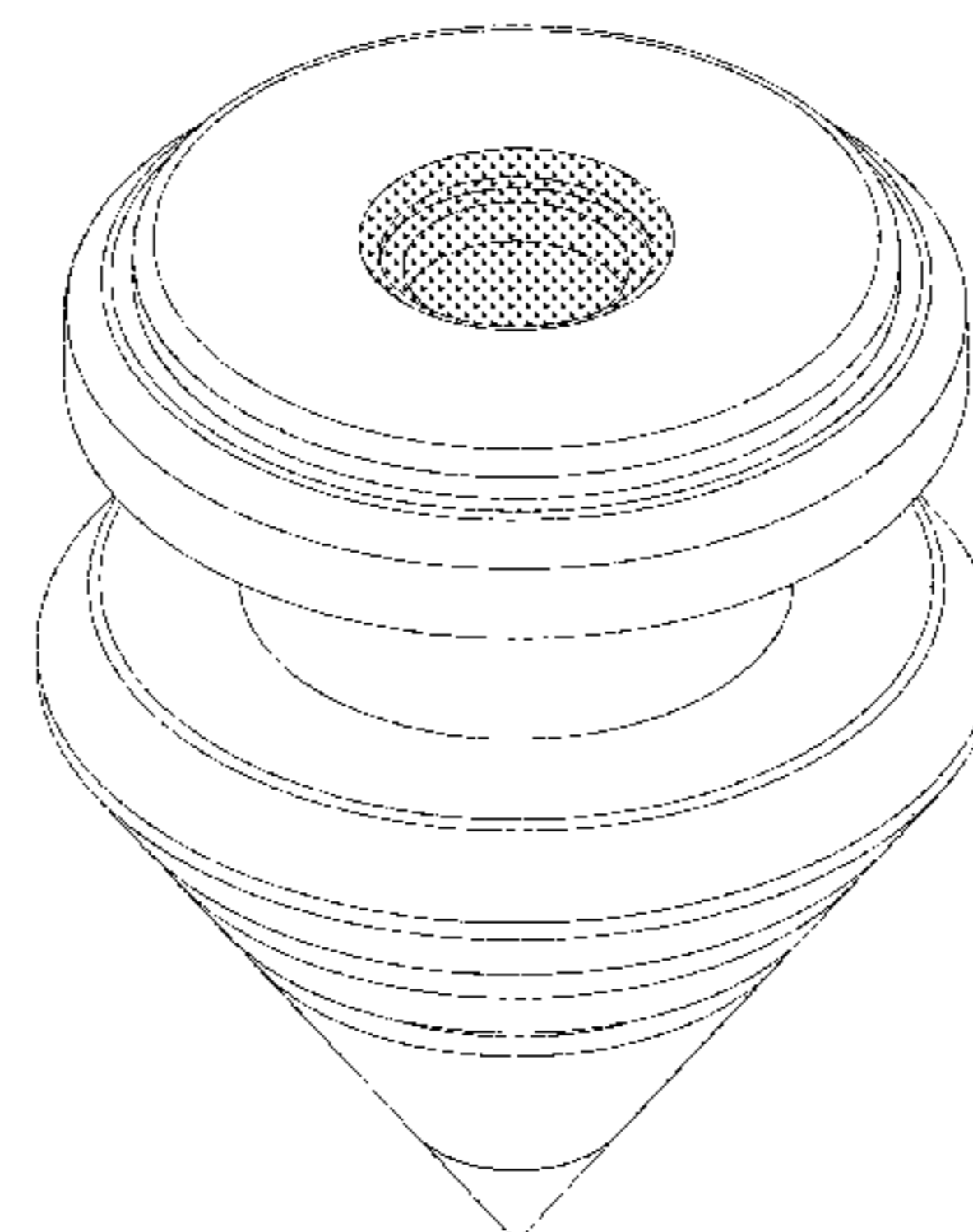
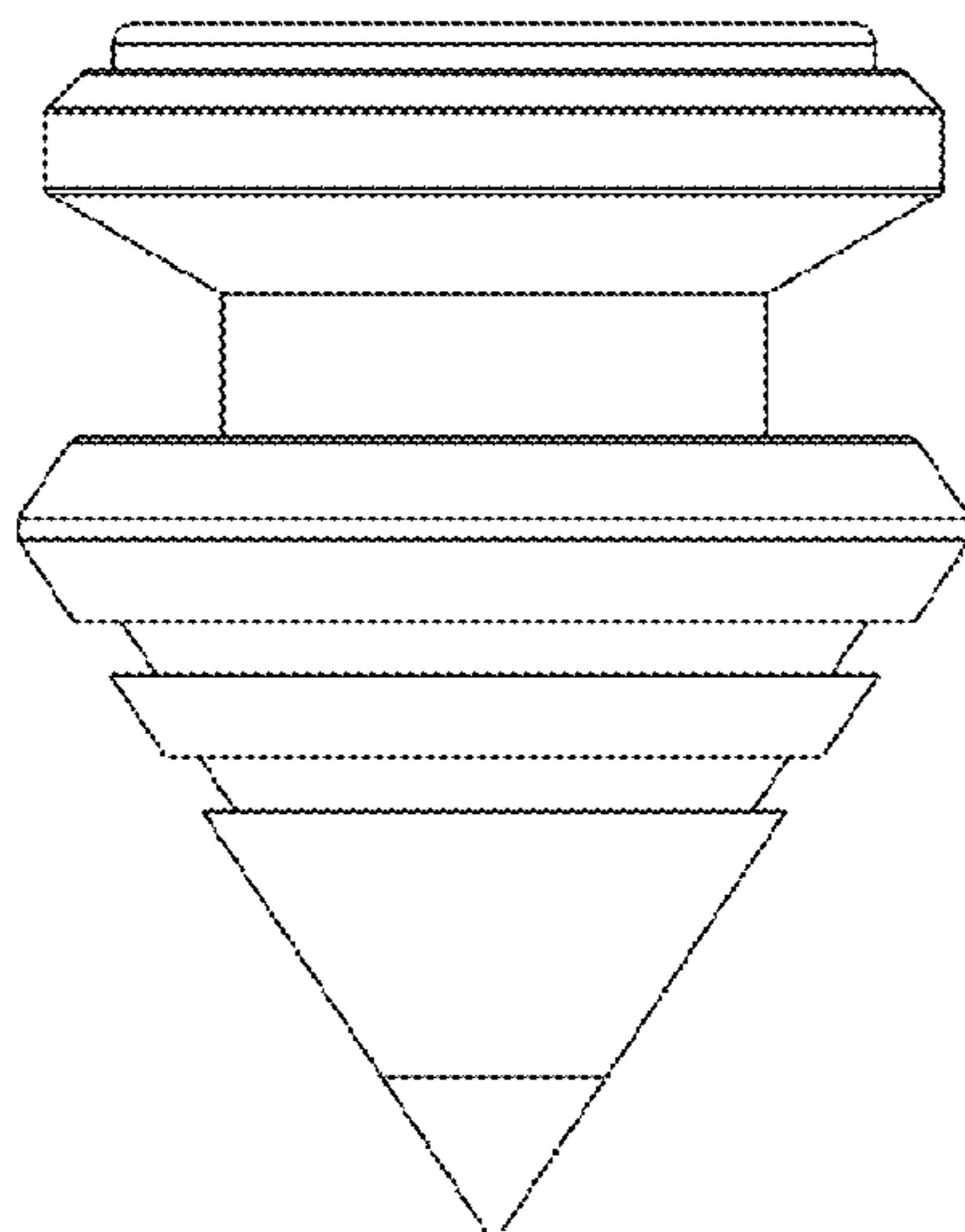
(56) **References Cited**

U.S. PATENT DOCUMENTS

D15,490 S * 10/1884 Mundy D30/150
D288,262 S * 2/1987 Yokoishi D2/962
D293,883 S * 1/1988 Hirohata D8/382
D299,084 S * 12/1988 Tanel D2/962
D405,945 S * 2/1999 Kan D2/962
D439,397 S * 3/2001 Shieh D2/962
D450,430 S * 11/2001 Yu D2/962
D450,432 S * 11/2001 Savoie D2/962

(Continued)

1 Claim, 5 Drawing Sheets
(2 of 5 Drawing Sheet(s) Filed in Color)



(56)

References Cited

U.S. PATENT DOCUMENTS

D453,262 S * 2/2002 Merigan D2/962
 D462,257 S * 9/2002 Alexander D8/391
 D463,654 S * 10/2002 Cho D2/962
 D463,902 S * 10/2002 Yang D2/962
 D465,643 S * 11/2002 Cho D2/962
 D468,084 S * 1/2003 Lin D2/962
 D493,953 S * 8/2004 Chang D2/962
 D557,888 S * 12/2007 Yu D2/962
 D569,596 S * 5/2008 Terashima D2/962
 D581,777 S * 12/2008 Huang D8/397
 D584,979 S * 1/2009 Pirhonen D12/608
 D591,144 S * 4/2009 Hennessey D8/387
 D653,237 S * 1/2012 Davies D14/211
 D658,479 S * 5/2012 Eason D11/164
 D674,780 S * 1/2013 Davies D14/215
 D720,208 S * 12/2014 Jordan D8/397
 D731,300 S * 6/2015 Vargas D8/397
 D737,127 S * 8/2015 Yeh D8/382
 D738,265 S * 9/2015 McNeeley D12/118
 D755,751 S * 5/2016 Valeur D14/204
 D768,468 S * 10/2016 Maloney D8/382
 D772,876 S * 11/2016 Akana D14/411
 D777,021 S * 1/2017 Dew D8/394
 D777,565 S * 1/2017 Yeh D8/382
 D781,544 S * 3/2017 Livingston D2/962
 D785,538 S * 5/2017 Jordan D12/213
 D788,574 S * 6/2017 Baiz D8/387
 D789,780 S * 6/2017 Kim D8/397
 D792,074 S * 7/2017 Livingston D2/962
 D792,075 S * 7/2017 Livingston D2/962
 D792,077 S * 7/2017 Denet D2/966
 D792,206 S * 7/2017 Baiz D8/397

D793,854 S * 8/2017 Baiz D8/397
 D795,053 S * 8/2017 Baiz D8/397
 D799,938 S * 10/2017 Lowitz D8/354
 D800,697 S * 10/2017 Fischer D14/214
 D801,167 S * 10/2017 Baiz D8/397
 D803,115 S * 11/2017 Baiz D12/179
 D803,266 S * 11/2017 Baiz D15/5
 D807,328 S * 1/2018 Garrett D14/216
 D809,910 S * 2/2018 Vargas D8/397
 D821,187 S * 6/2018 Baiz D8/387
 D821,723 S * 7/2018 Livingston D2/962
 D824,650 S * 8/2018 Manasra D2/966
 D826,155 S * 8/2018 Baiz D13/122
 D829,656 S * 10/2018 Baiz D13/122
 D831,320 S * 10/2018 Savio D2/962
 D835,747 S * 12/2018 Ashley D22/108
 2008/0292428 A1 * 11/2008 Coonjohn B60R 11/00
 411/372.6

FOREIGN PATENT DOCUMENTS

WO D101076-003 * 5/2018
 WO D101076-004 * 5/2018

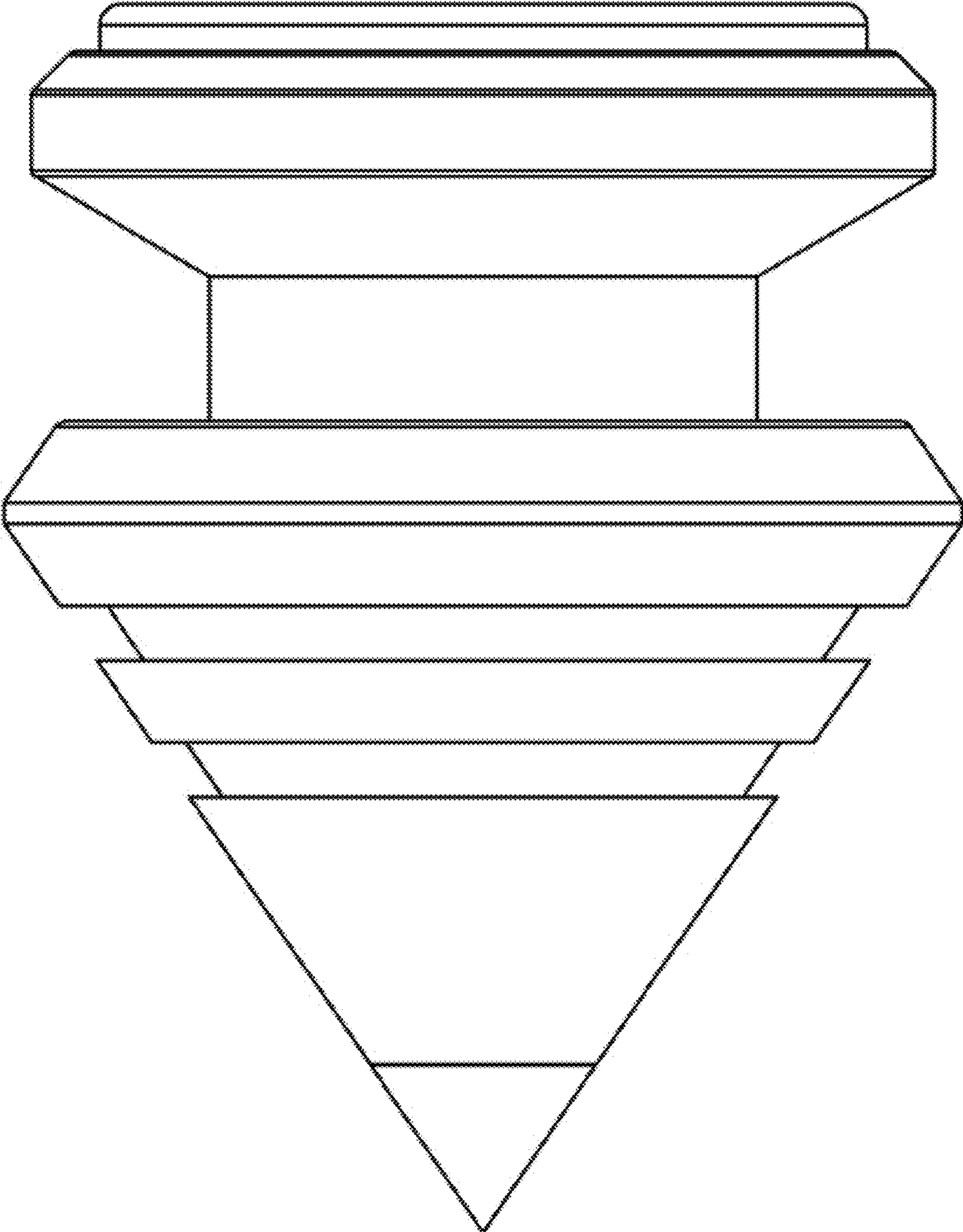
OTHER PUBLICATIONS

The new Viablue™ spikes and absorbers, announced 2019 [online], [retrieved Feb. 12, 2019]. Available from Internet, URL: <<https://viablue.de/cn/spikes.php>> (Year: 2019).*

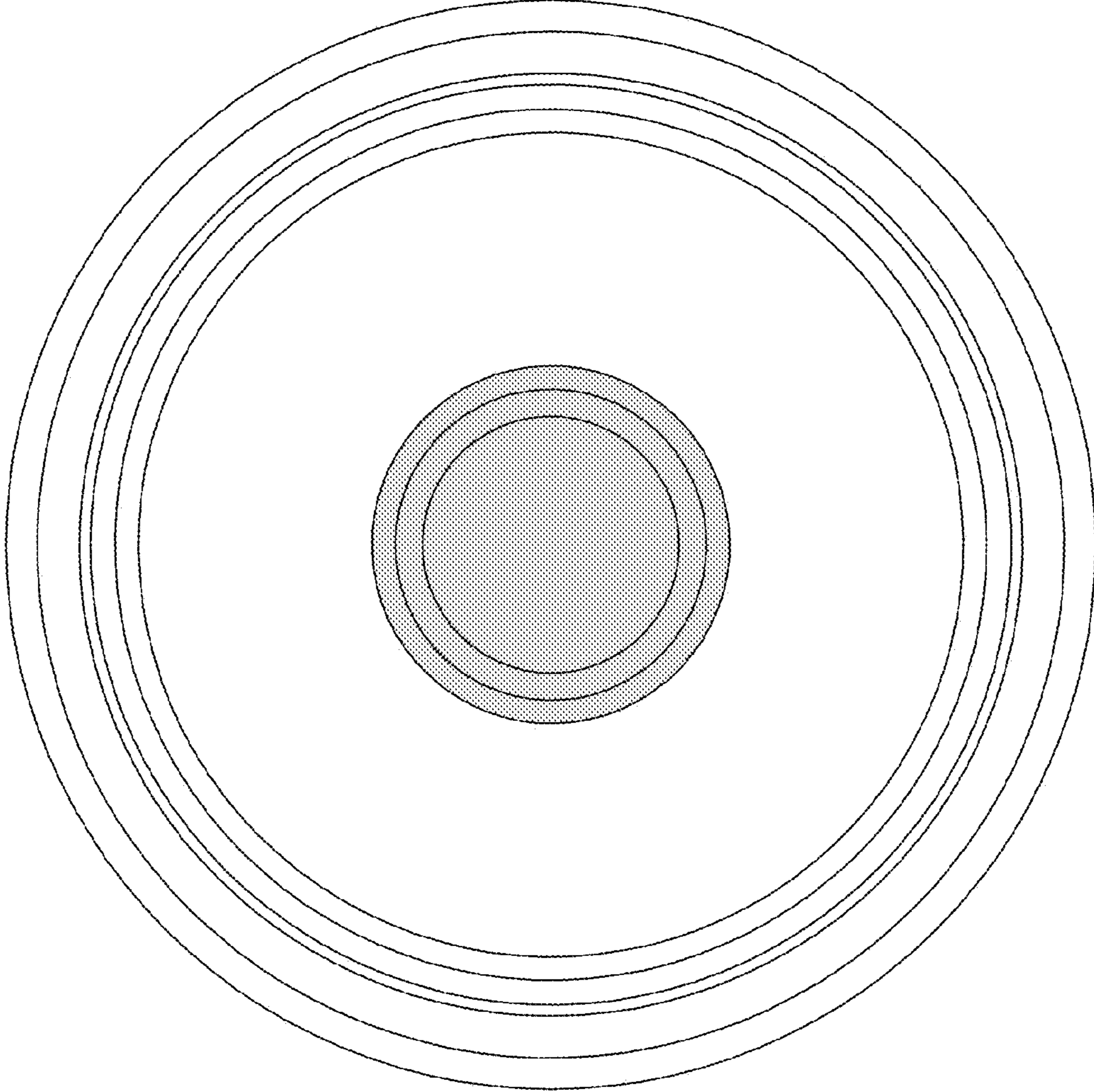
Speaker Spikes, announced [online], [retrieved Feb. 12, 2019]. Available from Internet, URL: <<http://www.daytonaudio.com/index.php/loudspeaker-components/speaker-cabinet-accessories/speaker-spikes.html?limit=all>> (Year: 2019).*

* cited by examiner

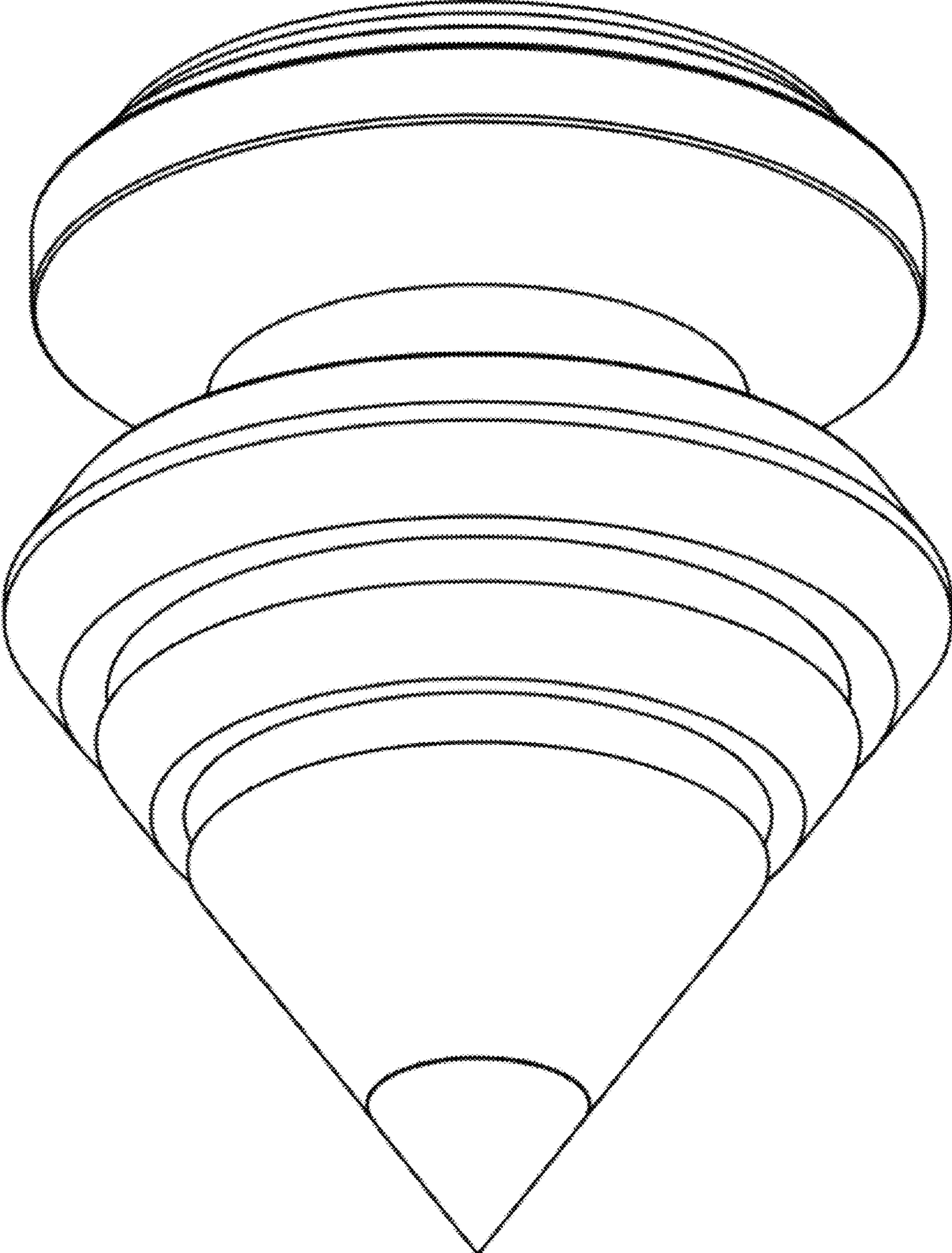
1.1



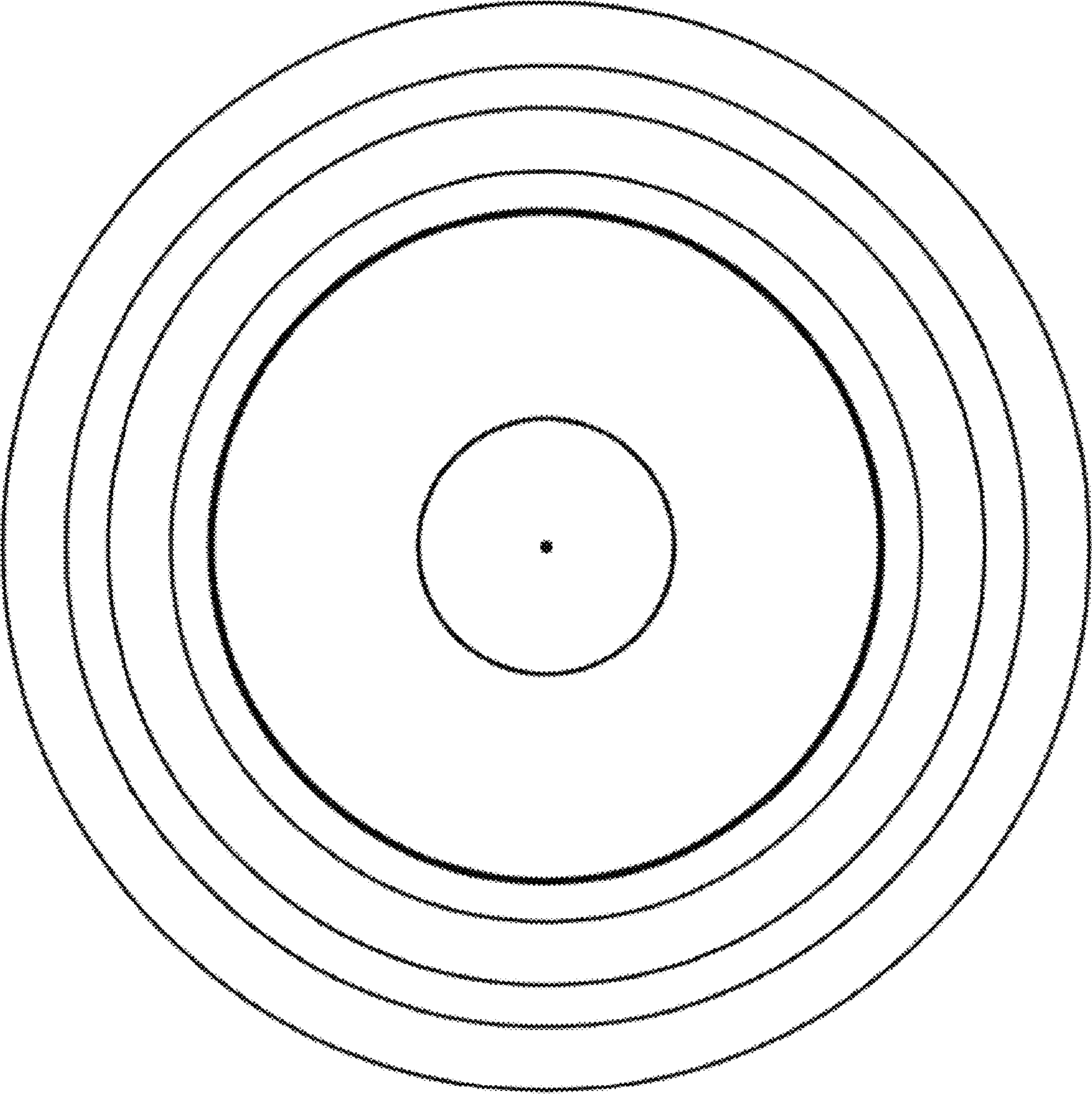
1.2



1.3



1.4



1.5

