



US00D864168S

(12) **United States Design Patent** (10) **Patent No.:** **US D864,168 S**  
**Min et al.** (45) **Date of Patent:** **\*\* Oct. 22, 2019**

(54) **WIRELESS EARPHONE**

(71) Applicant: **LG ELECTRONICS INC.**, Seoul (KR)  
(72) Inventors: **Jinki Min**, Seoul (KR); **Dongsoon Kim**, Seoul (KR); **Hyunchul Kim**, Seoul (KR); **Cheolwoong Shin**, Seoul (KR)  
(73) Assignee: **LG ELECTRONICS INC.**, Seoul (KR)  
(\*\*) Term: **15 Years**  
(21) Appl. No.: **35/505,665**  
(22) Filed: **Mar. 15, 2018**  
(80) **Hague Agreement Data**

Int. Filing Date: **Mar. 15, 2018**  
Int. Reg. No.: **DM/100357**  
Int. Reg. Date: **Mar. 15, 2018**  
Int. Reg. Pub. Date: **Sep. 21, 2018**

(30) **Foreign Application Priority Data**

Sep. 26, 2017 (KR) ..... 30-2017-0045152

(51) **LOC (12) Cl.** ..... **14-01**

(52) **U.S. Cl.**  
USPC ..... **D14/223**

(58) **Field of Classification Search**

USPC ... D14/204, 205, 206, 224, 225, 249, 138 R, D14/188, 172, 203.1, 496; D29/112; D24/106, 173, 174  
CPC ..... H04R 25/02; H04R 25/02; H04R 25/00; H04R 1/10; H04R 1/10016; H04R 1/105; H04R 1/1083; H04R 1/02; H04R 1/1041; H04R 1/28; H04R 2420/07; H04R 2430/00; H04R 2430/01; H04R 5/033

See application file for complete search history.

(56) **References Cited**

U.S. PATENT DOCUMENTS

4,668,842	A	*	5/1987	Yokoyama .....	H04R 1/1066
					381/370
D671,530	S	*	11/2012	Yang .....	D14/223
D712,382	S	*	9/2014	Brunner .....	D14/223
D736,185	S	*	8/2015	Yaegashi .....	D14/223
D752,542	S	*	3/2016	Lamar .....	D14/205
D780,721	S	*	3/2017	Brunner .....	D14/223
D798,844	S	*	10/2017	Nokuo .....	D14/223
D806,684	S	*	1/2018	Tsai .....	D14/223
D807,331	S	*	1/2018	Morimoto .....	D14/223
D817,305	S	*	5/2018	Hsieh .....	D14/206
D821,999	S	*	7/2018	Guo .....	D14/205
D824,876	S	*	8/2018	Wei .....	D14/205
D830,336	S	*	10/2018	Cai .....	D14/205
D838,692	S	*	1/2019	Fu .....	D14/223
D847,125	S	*	4/2019	Akana .....	D14/223
D848,983	S	*	5/2019	Kim .....	D14/223

FOREIGN PATENT DOCUMENTS

JP D1599420 \* 3/2018

\* cited by examiner

*Primary Examiner* — Jeffrey D Asch

*Assistant Examiner* — Tracey J Bell

(74) *Attorney, Agent, or Firm* — Birch, Stewart, Kolasch & Birch, LLP

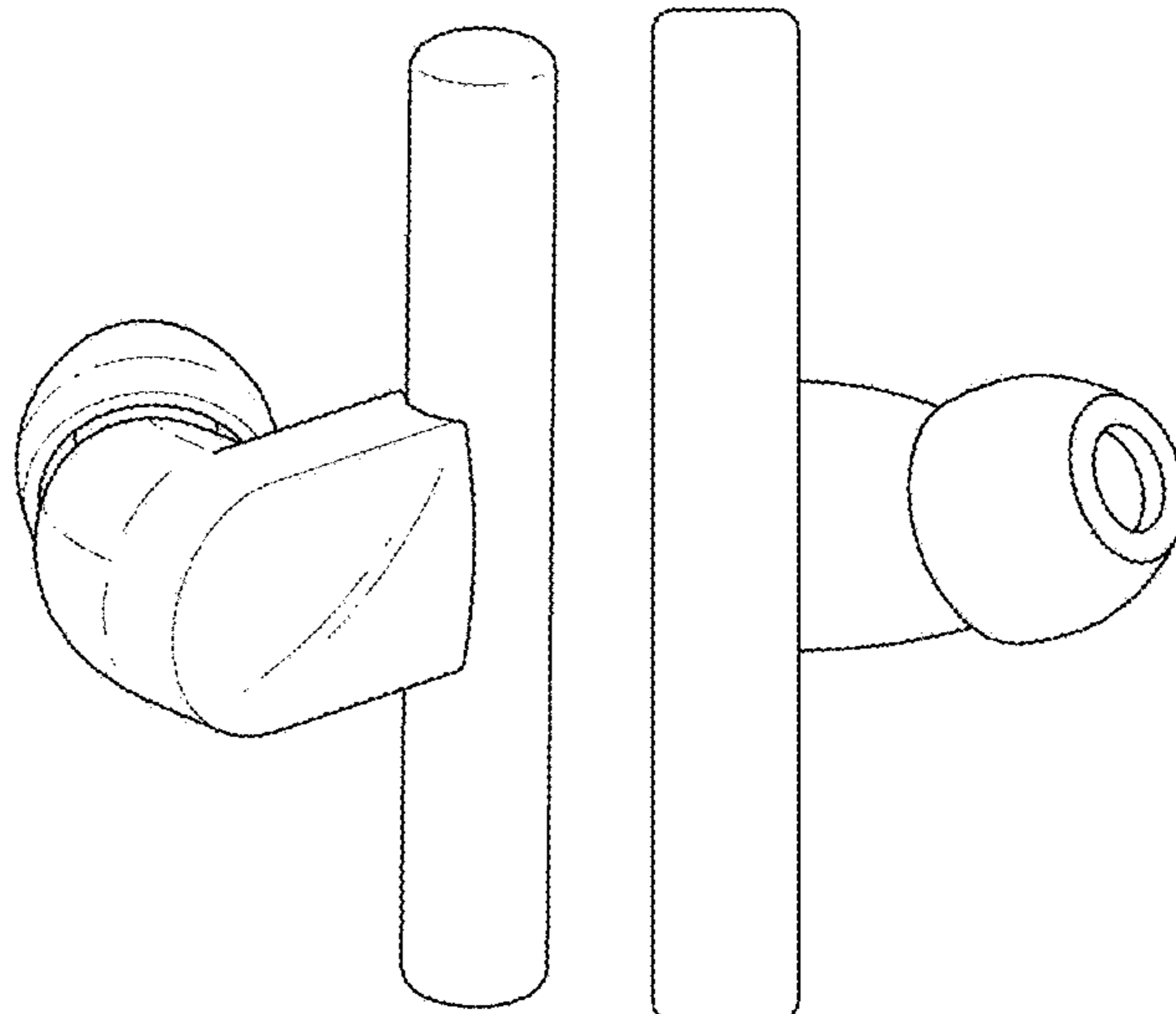
(57) **CLAIM**

The ornamental design for a wireless earphone, as shown and described.

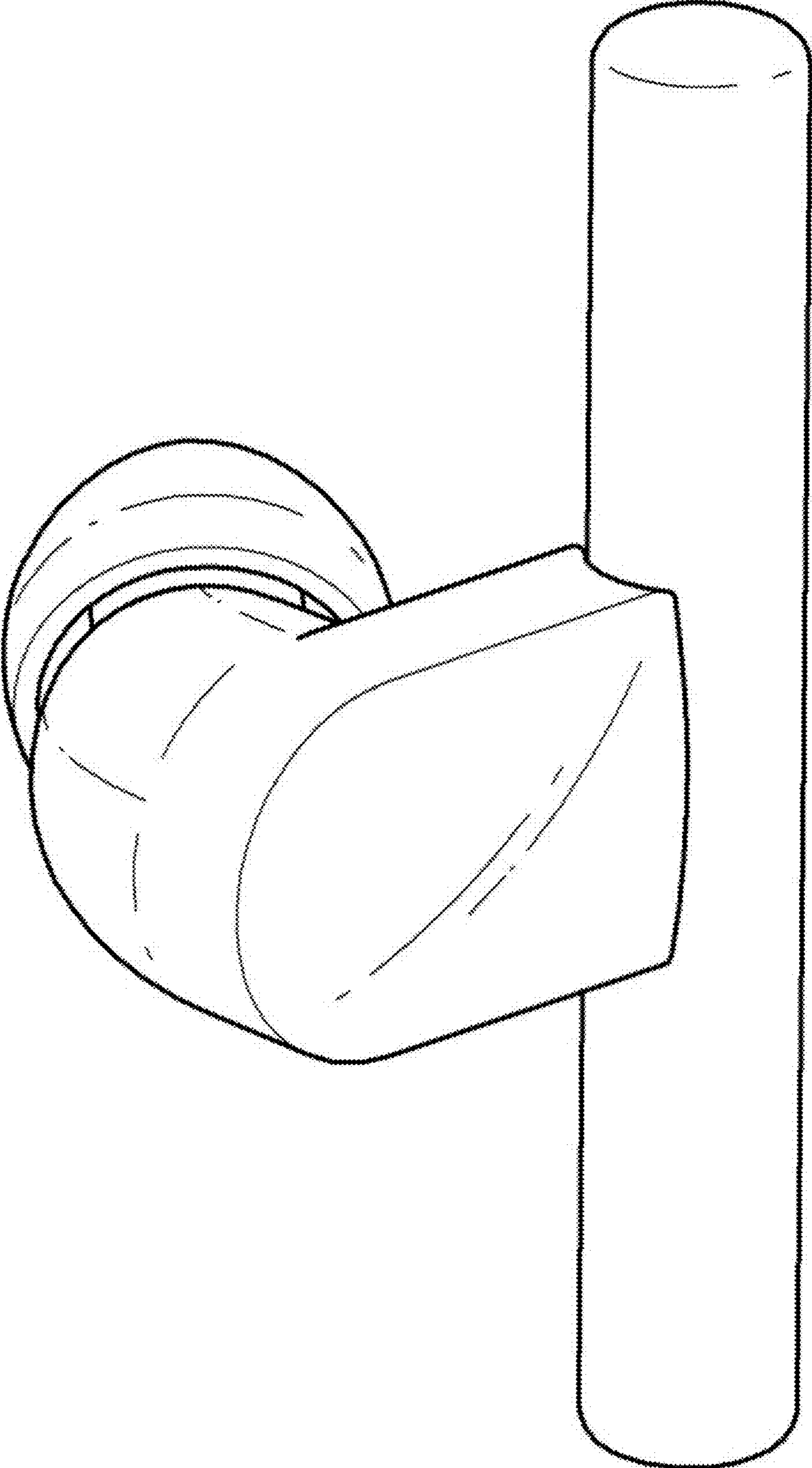
**DESCRIPTION**

- 1. Wireless earphone
- 1.1 : Perspective
- 1.2 : Front
- 1.3 : Back
- 1.4 : Left
- 1.5 : Right
- 1.6 : Top
- 1.7 : Bottom

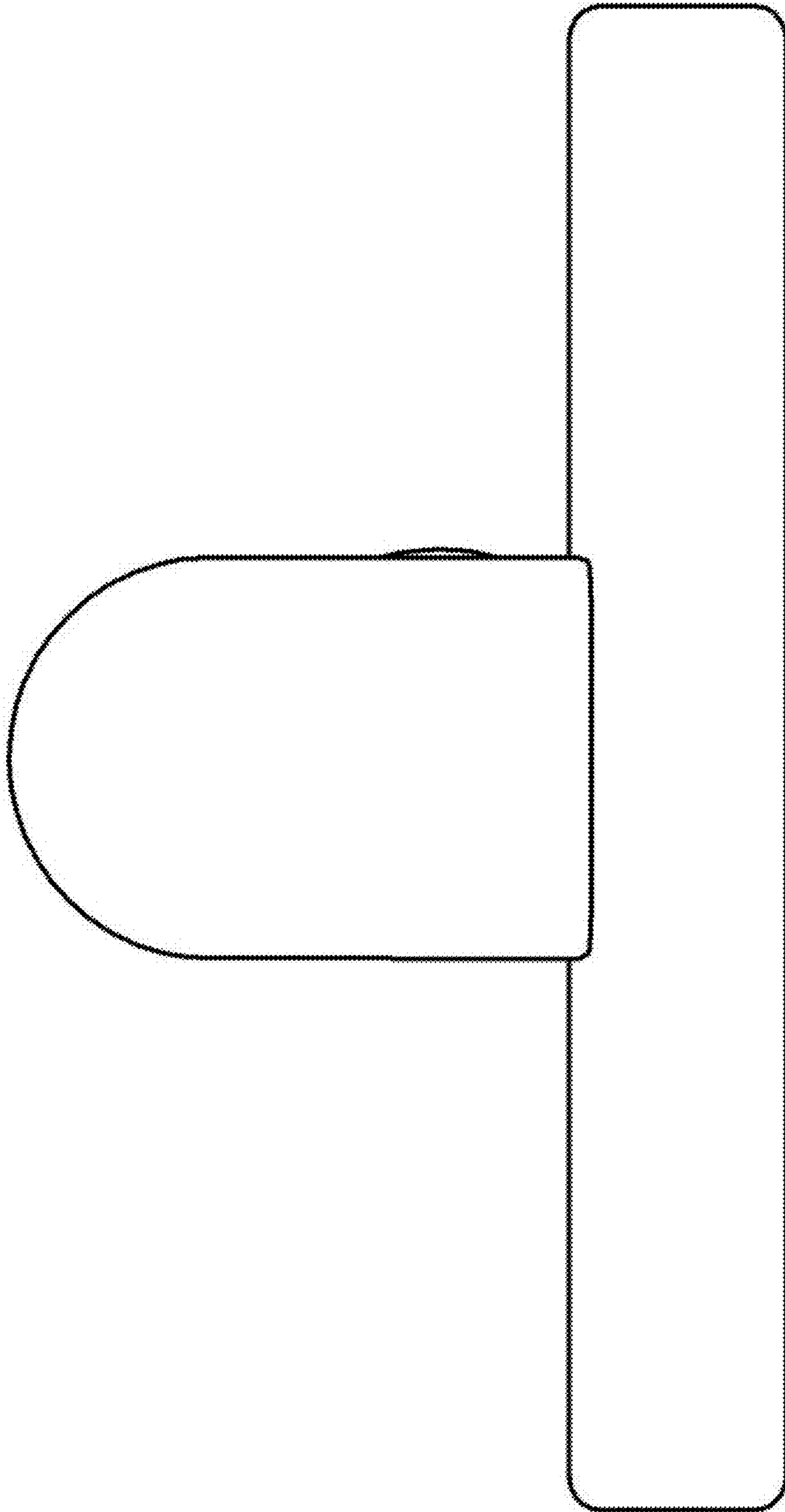
**1 Claim, 7 Drawing Sheets**



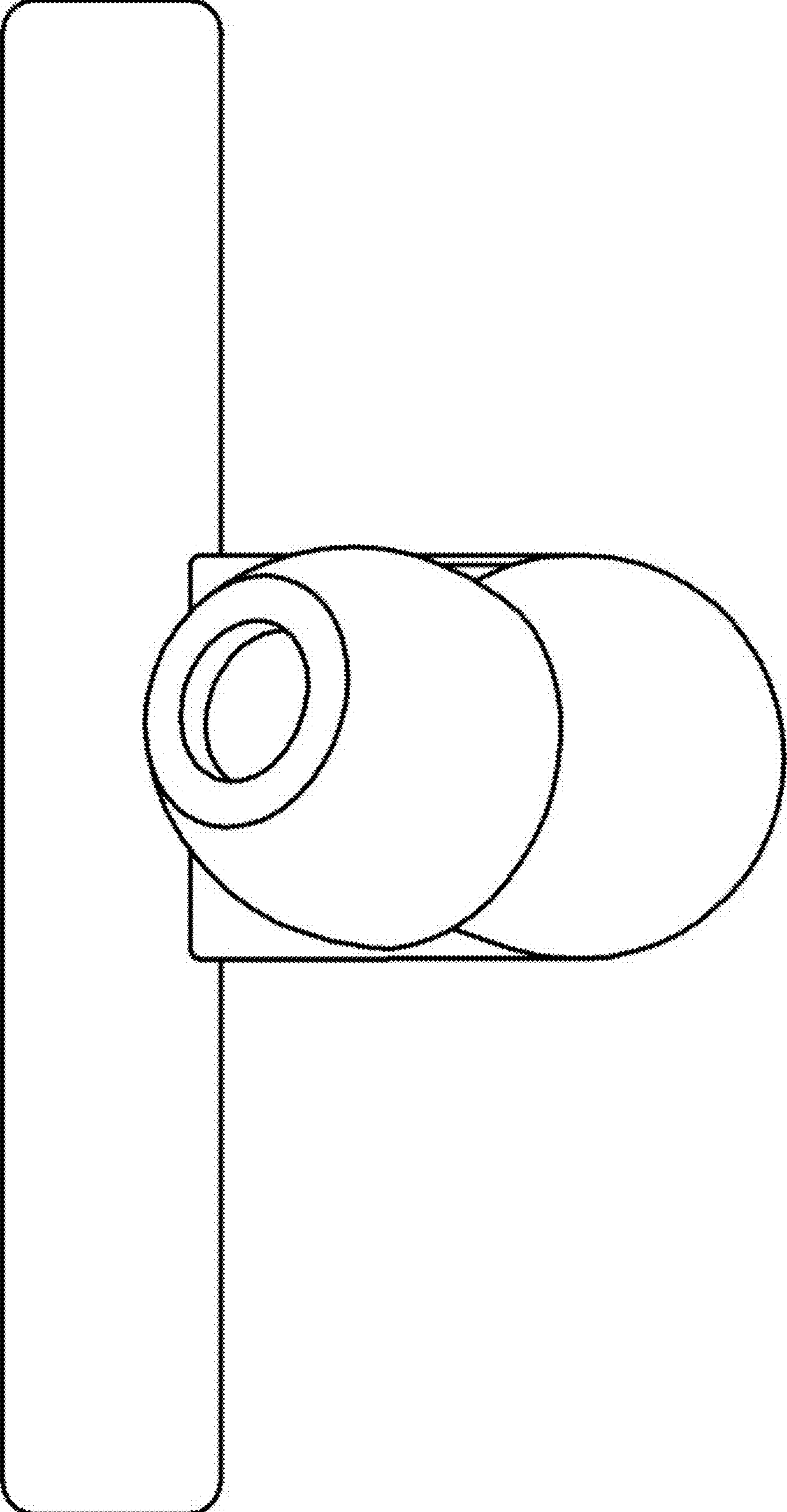
1.1



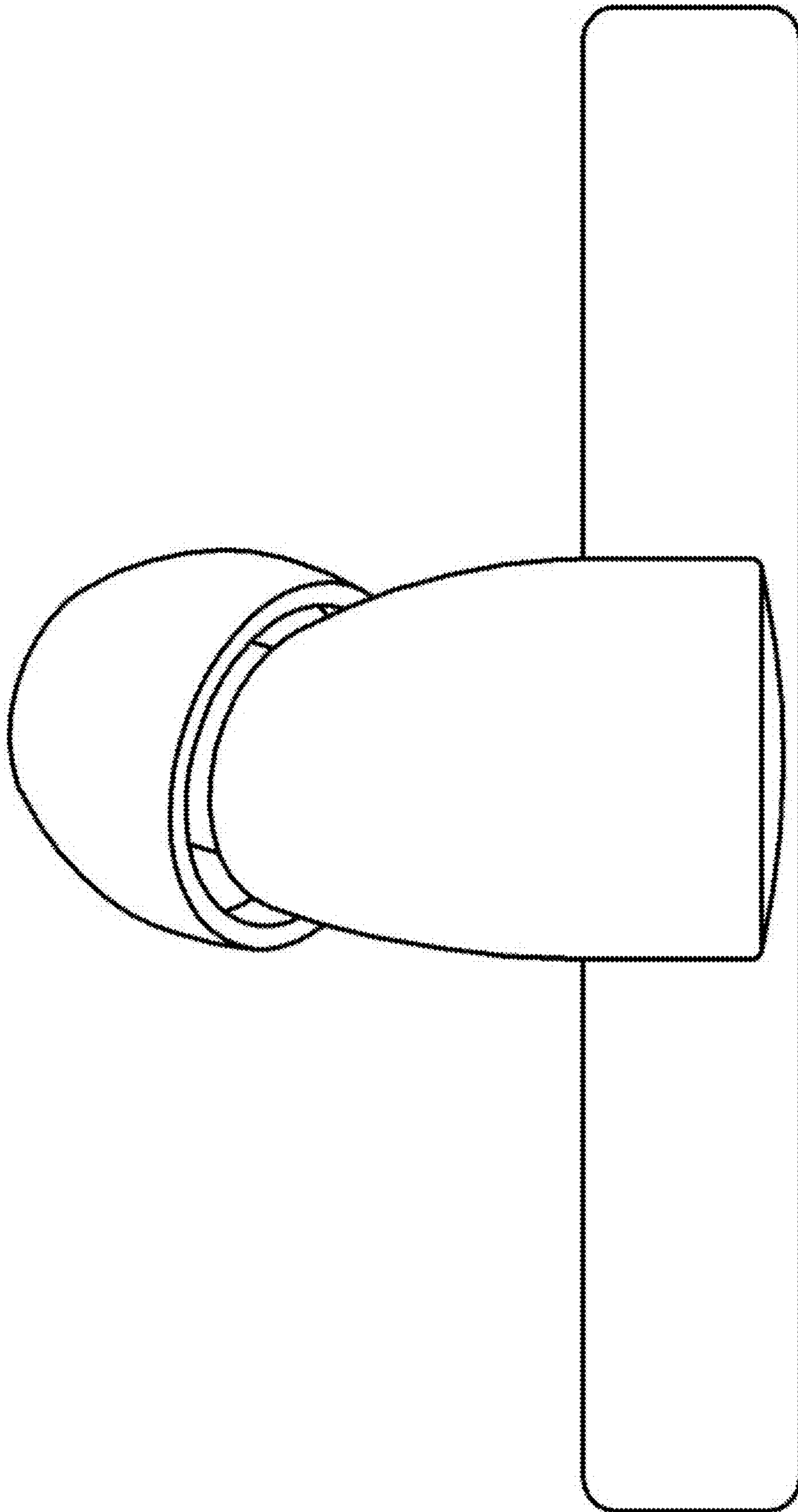
1.2



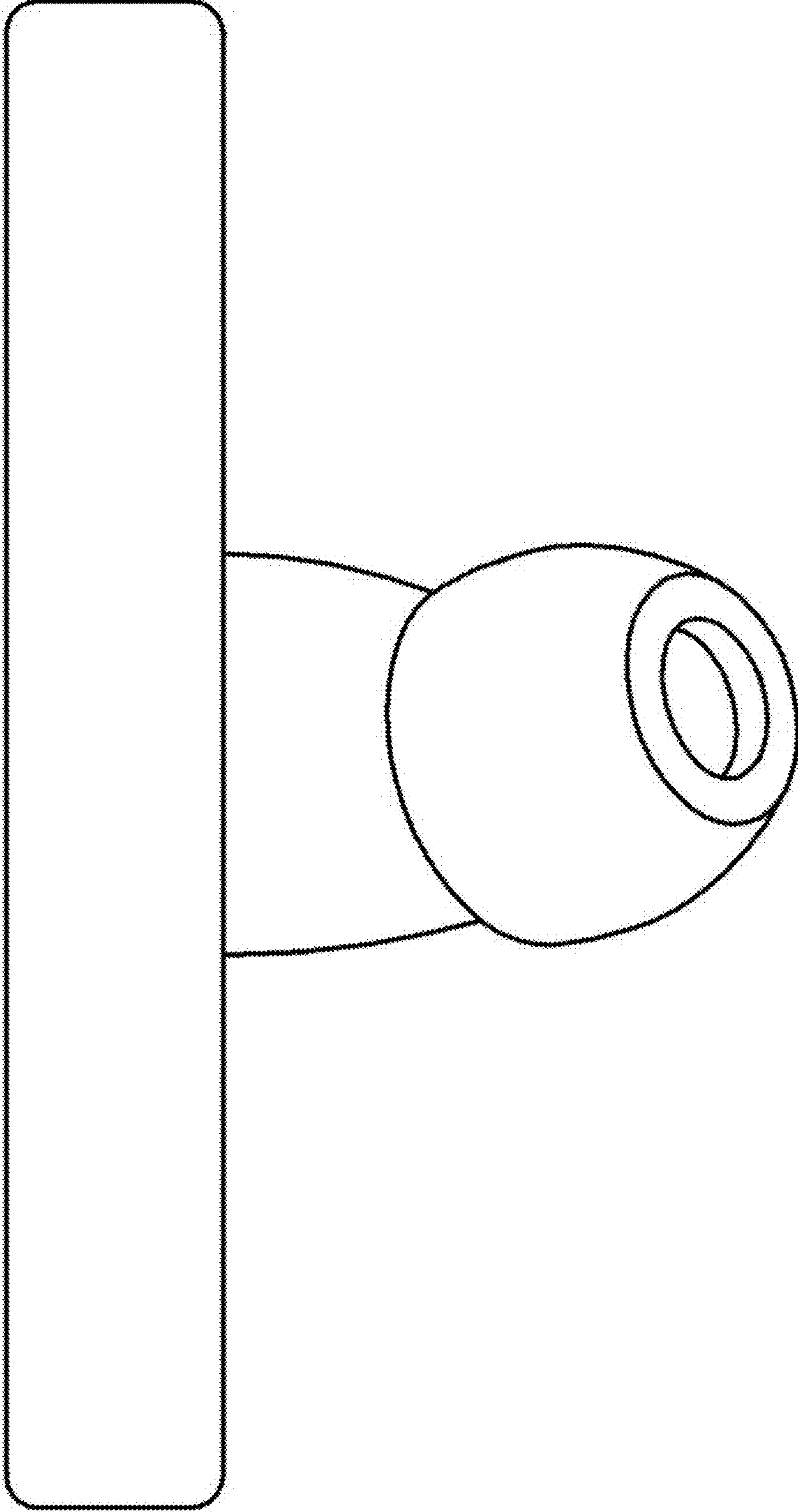
1.3



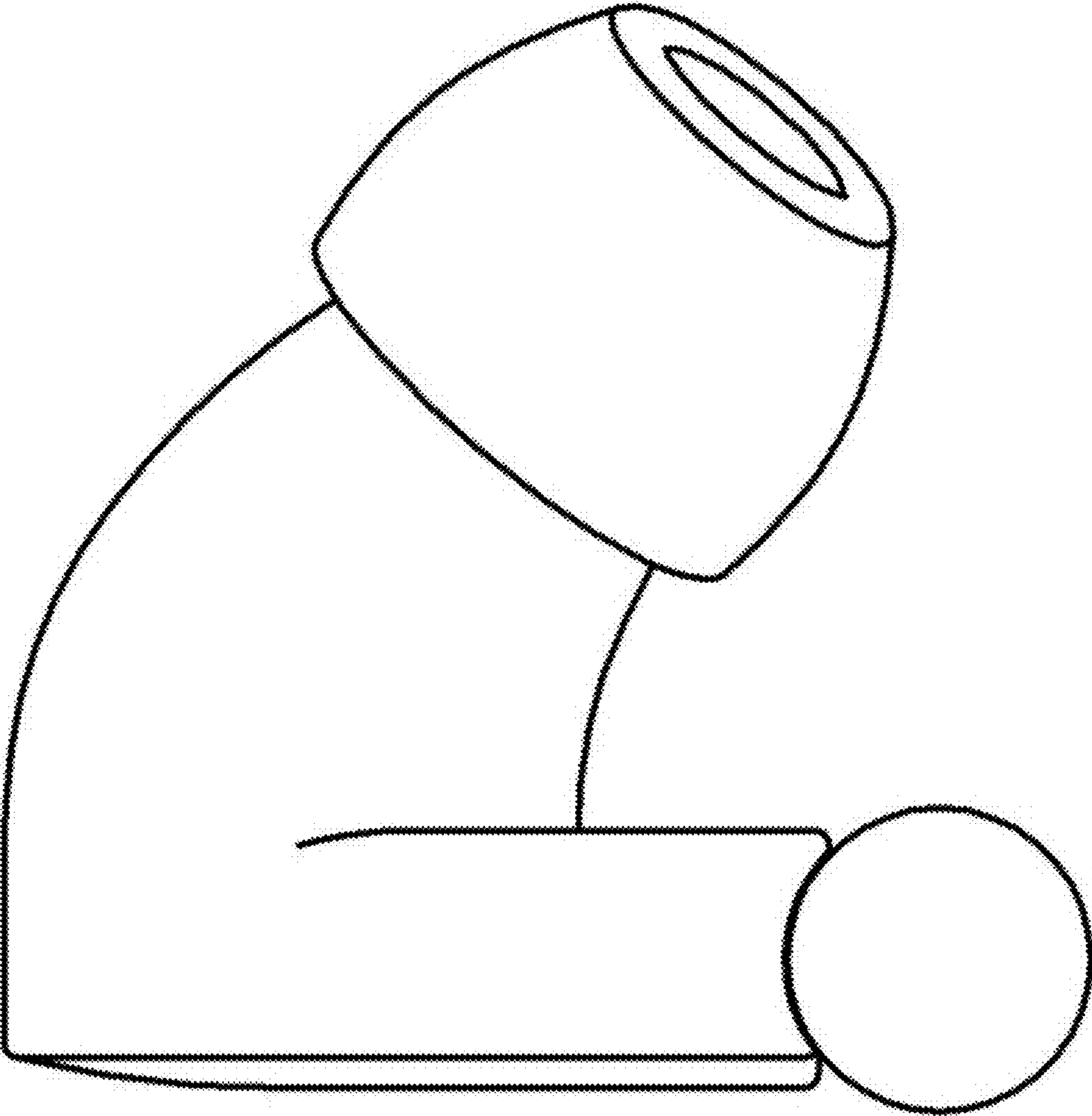
1.4



1.5



1.6



1.7

