



US00D864166S

(12) **United States Design Patent**
You

(10) **Patent No.:** **US D864,166 S**
(45) **Date of Patent:** **** Oct. 22, 2019**

- (54) **HEADSET**
- (71) Applicant: **DONGGUANG TINGBEI ELECTRONIC TECHNOLOGY CO., LTD.**, Dongguang, Guangdong (CN)
- (72) Inventor: **Pei You**, Dongguang (CN)
- (73) Assignee: **DONGGUANG TINGBEI ELECTRONIC TECHNOLOGY CO., LTD.**, Dongguang, Guangdong (CN)
- (**) Term: **15 Years**
- (21) Appl. No.: **29/653,196**
- (22) Filed: **Jun. 13, 2018**
- (51) **LOC (12) Cl.** **14-01**
- (52) **U.S. Cl.**
USPC **D14/223**
- (58) **Field of Classification Search**
USPC D14/223, 205; D24/174; 128/865, 866, 128/867; 181/129, 130, 135; 379/430, 379/431; 381/380, 381, 322, 328, 329; 455/90.3, 575.1, 569.1
CPC H04R 1/10; H04R 25/00; H04R 25/02; H04R 1/1041; H04R 1/05; H04R 1/1016; H04R 1/1066; H04R 5/033; H04R 5/0335
See application file for complete search history.

- (56) **References Cited**
U.S. PATENT DOCUMENTS
2,529,701 A * 11/1950 Maloff G03B 21/625
156/106
2,875,543 A * 3/1959 Sylvester B44F 1/00
264/152
2,958,148 A * 11/1960 Sylvester B44C 3/042
264/220
2,971,065 A * 2/1961 Busse H04R 25/456
381/104

- 3,048,526 A * 8/1962 Boswell A61J 3/10
424/472
- 3,234,467 A * 2/1966 Haveson H01Q 1/24
334/76
- 3,440,365 A * 4/1969 Hazell H04M 1/05
379/430
- 4,069,400 A * 1/1978 Johanson H04R 25/60
381/322
- 4,359,708 A * 11/1982 Jarosz H01H 85/10
337/159
- 4,457,396 A * 7/1984 James H04R 1/345
181/129
- 4,550,227 A * 10/1985 Topholm H04R 25/60
381/322
- D287,280 S * 12/1986 Topholm D24/174
- D287,764 S * 1/1987 Topholm D24/174
- D287,765 S * 1/1987 Topholm D24/174
- 4,965,838 A * 10/1990 Kamon H04R 1/1016
381/322
- D481,709 S * 11/2003 Solderits D14/223

(Continued)

Primary Examiner — Paula Allen Greene
(74) *Attorney, Agent, or Firm* — Juan Carlos A. Marquez; Marquez IP Law Office, PLLC

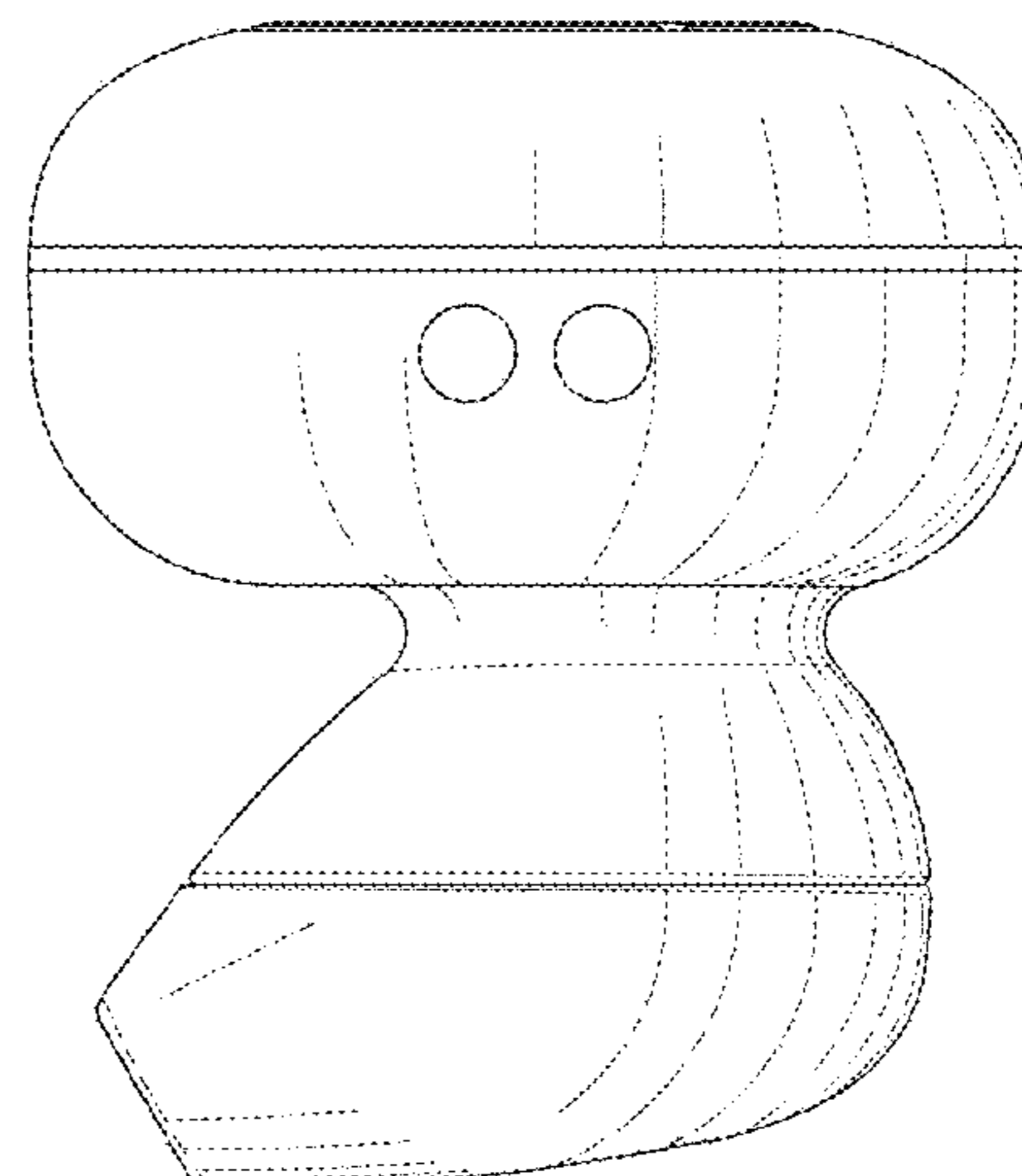
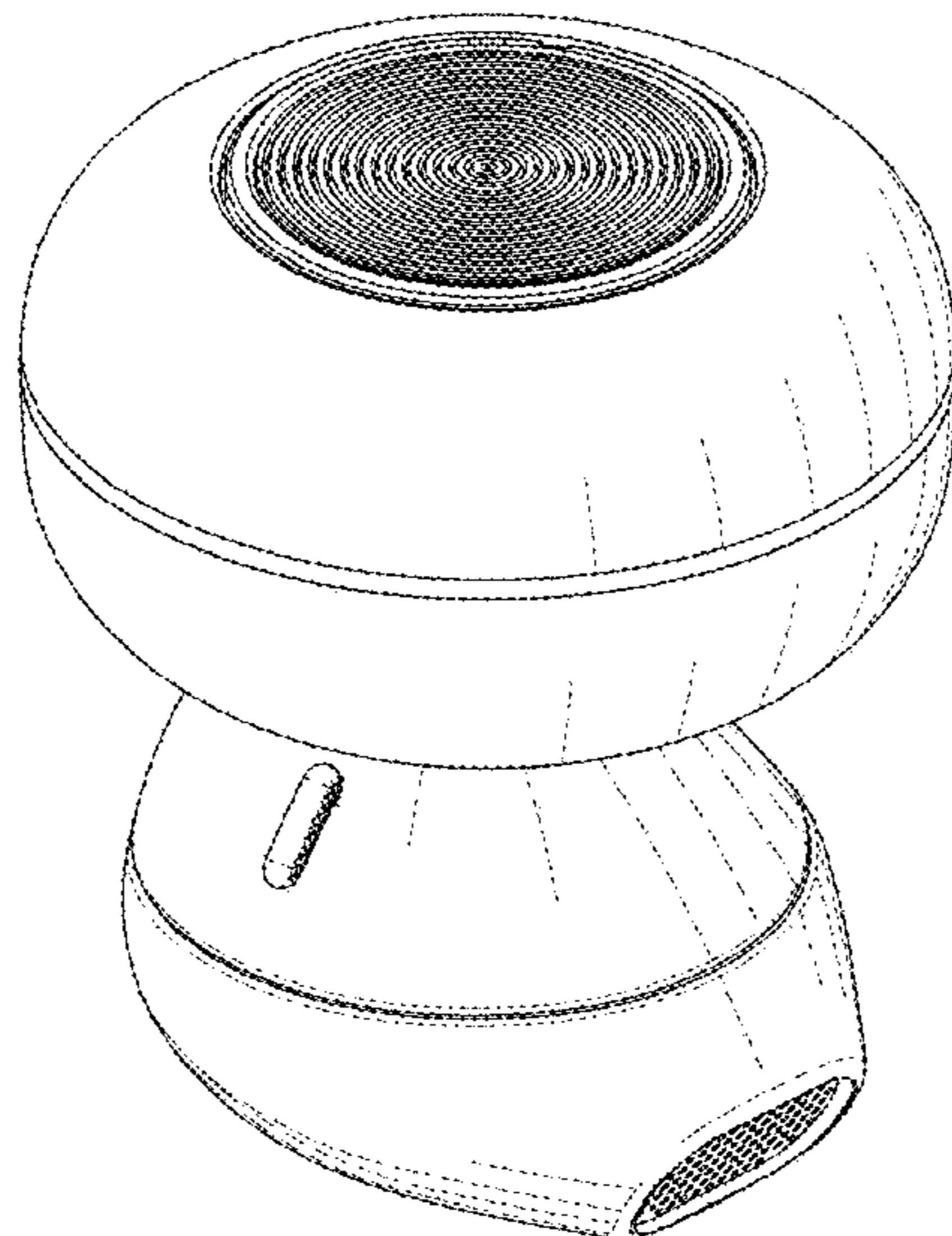
(57) **CLAIM**

The ornamental design for a headset, as shown and described.

DESCRIPTION

FIG. 1 is a perspective view of a headset, showing my new design;
FIG. 2 is a front view thereof;
FIG. 3 is a rear view thereof;
FIG. 4 is a left-side view thereof;
FIG. 5 is a right-side view thereof;
FIG. 6 is a top view thereof; and,
FIG. 7 is a bottom view thereof.

1 Claim, 7 Drawing Sheets



(56)

References Cited

U.S. PATENT DOCUMENTS

6,865,279 B2 * 3/2005 Leedom H04R 25/65
 381/322
 D512,417 S * 12/2005 Hirakawa D14/223
 D514,095 S * 1/2006 Wilson D14/223
 D531,169 S * 10/2006 Tokioka D14/223
 7,356,362 B2 * 4/2008 Chang H04R 1/1033
 379/430
 D579,006 S * 10/2008 Kim D14/223
 D603,380 S * 11/2009 Hutchieson D14/223
 D606,049 S * 12/2009 Matsuda D14/205
 D618,211 S * 6/2010 Oguro D14/205
 D621,389 S * 8/2010 Nagayama D14/223
 D623,630 S * 9/2010 Ohori D14/223
 D631,470 S * 1/2011 Yoneyama D14/223
 D632,677 S * 2/2011 Brown D14/223
 D637,999 S * 5/2011 Brunner D14/205
 D641,010 S * 7/2011 Kwon D14/223
 D642,163 S * 7/2011 Lee D14/223
 D643,414 S * 8/2011 Lee D14/205
 D643,833 S * 8/2011 Lee D14/223
 D652,817 S * 1/2012 Lee D14/205
 D652,822 S * 1/2012 Lee D14/223
 D652,823 S * 1/2012 Chen D14/223
 D666,581 S * 9/2012 Perez D14/223

8,275,166 B2 * 9/2012 Wu H04R 25/00
 381/328
 D668,244 S * 10/2012 Matsumura D14/223
 D711,356 S * 8/2014 Yang D14/223
 8,983,108 B2 * 3/2015 Ho H04R 1/1016
 181/135
 9,055,369 B2 * 6/2015 Yang H04R 1/10
 D777,710 S * 1/2017 Palmborg D14/223
 D781,269 S * 3/2017 Choe D14/223
 D782,997 S * 4/2017 Shin D14/205
 D782,998 S * 4/2017 Shin D14/205
 D788,079 S * 5/2017 Son D14/223
 D795,225 S * 8/2017 Sumii D14/223
 D800,097 S * 10/2017 Chen D14/223
 D806,879 S * 1/2018 Horbinski D24/174
 D813,205 S * 3/2018 Palmborg D14/223
 D813,848 S * 3/2018 Palmborg D14/223
 D841,626 S * 2/2019 Tang D14/223
 D841,627 S * 2/2019 Wen D14/223
 D845,932 S * 4/2019 Lu D14/223
 2011/0293130 A1 * 12/2011 Huang H04R 1/1016
 381/380
 2012/0114160 A1 * 5/2012 Lin H04R 1/1091
 381/380
 2013/0259286 A1 * 10/2013 Chung H04R 1/1016
 381/380
 2018/0035193 A1 * 2/2018 Tsubone H04R 1/1016

* cited by examiner

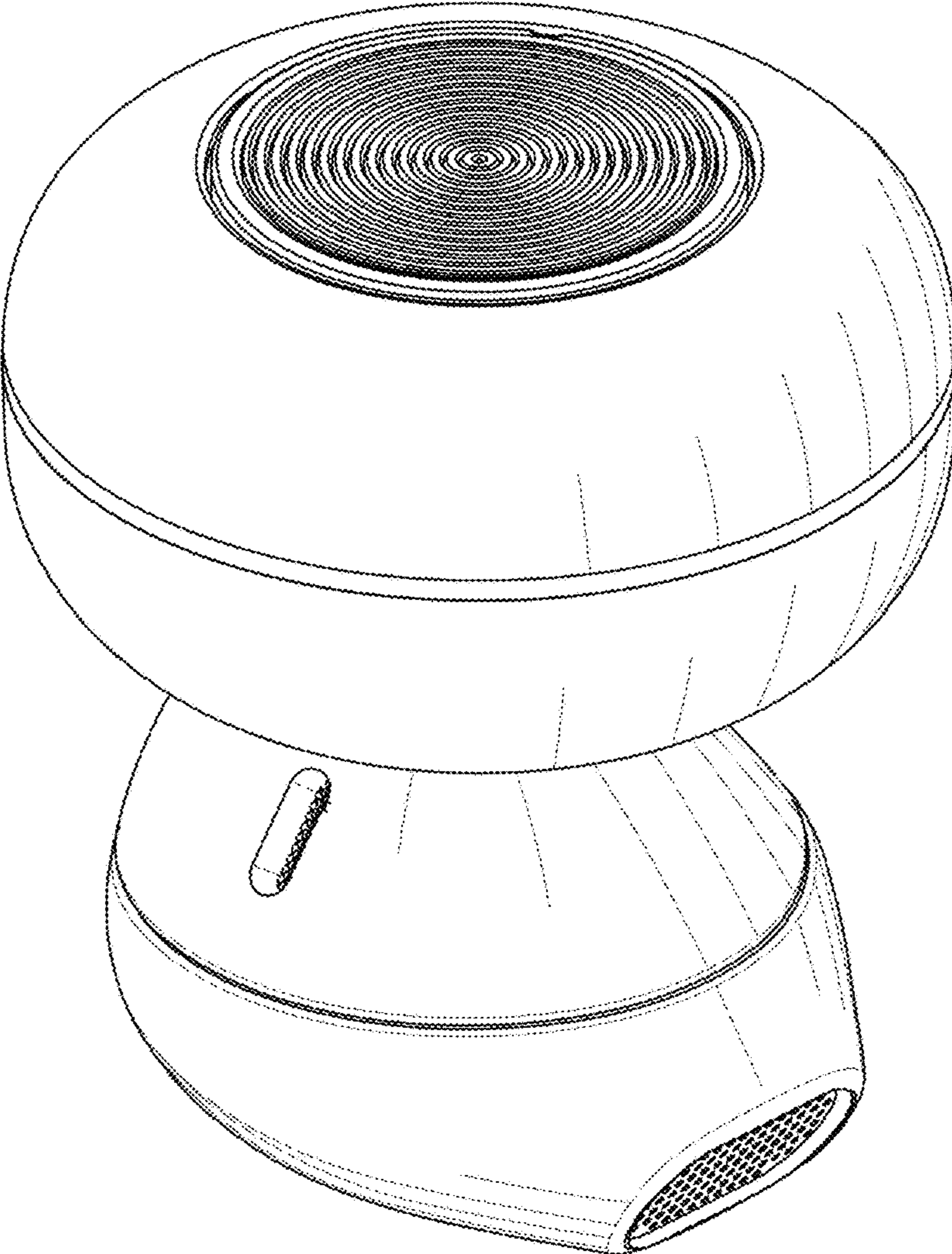


FIG. 1

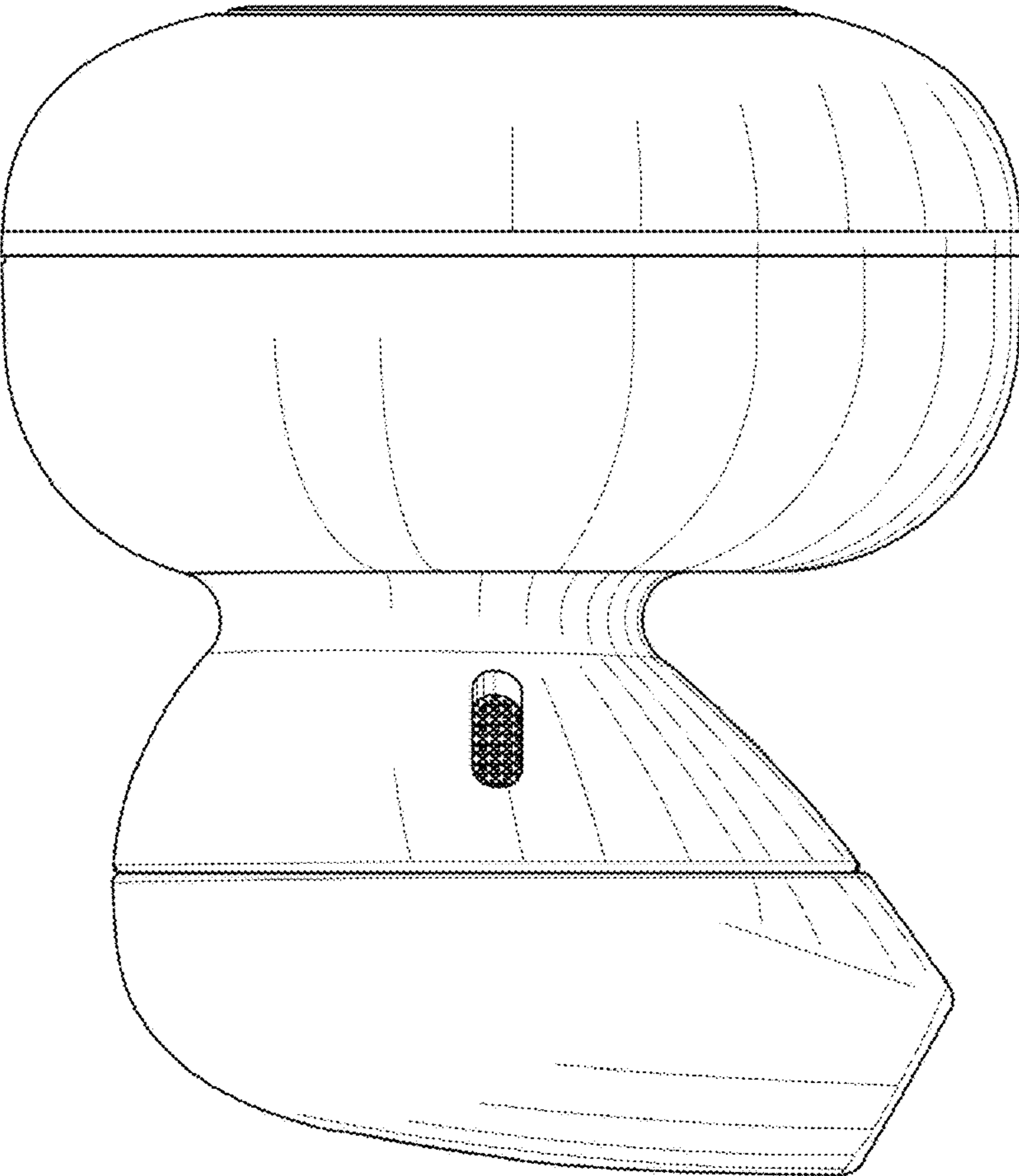


FIG. 2

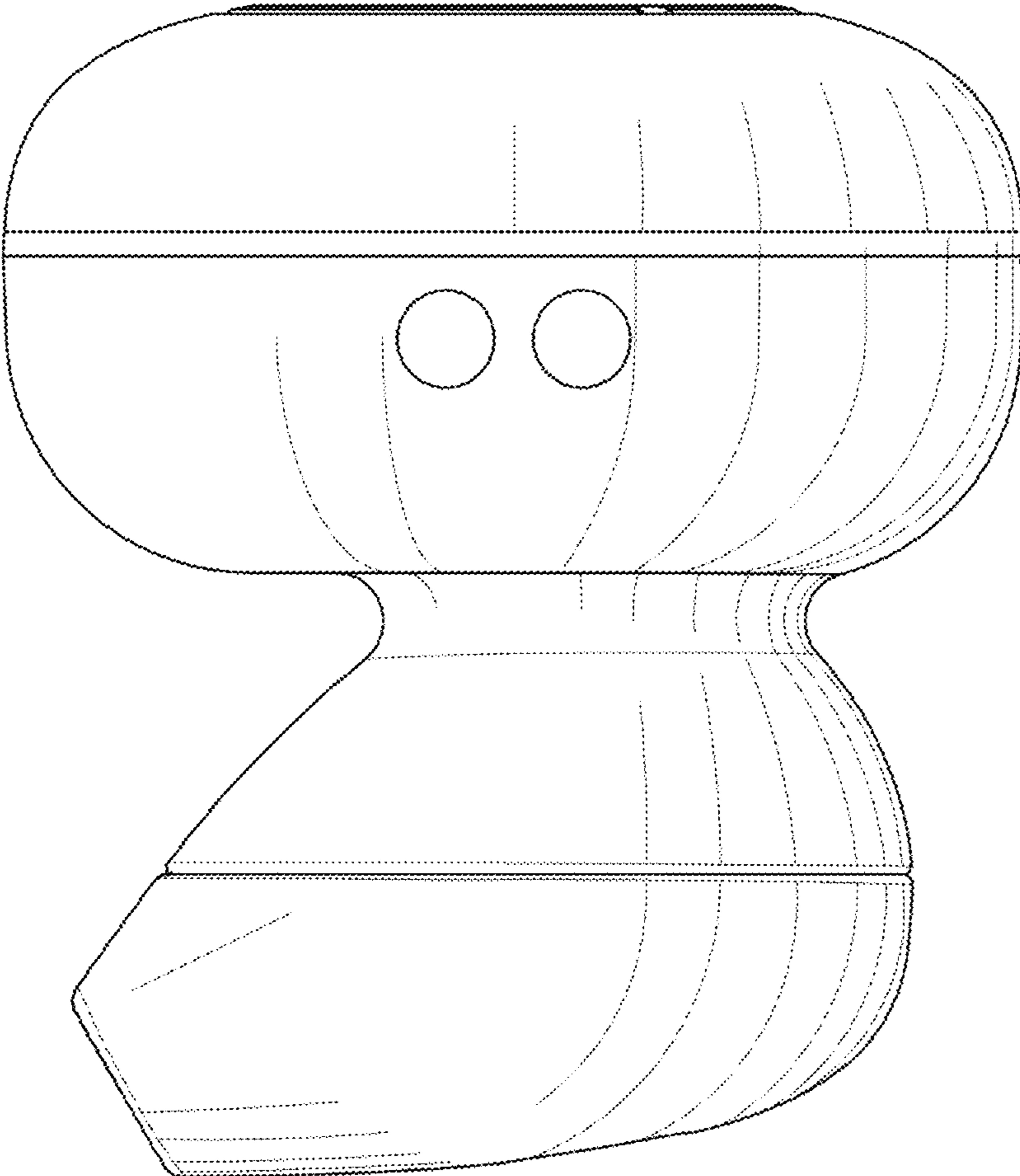


FIG. 3

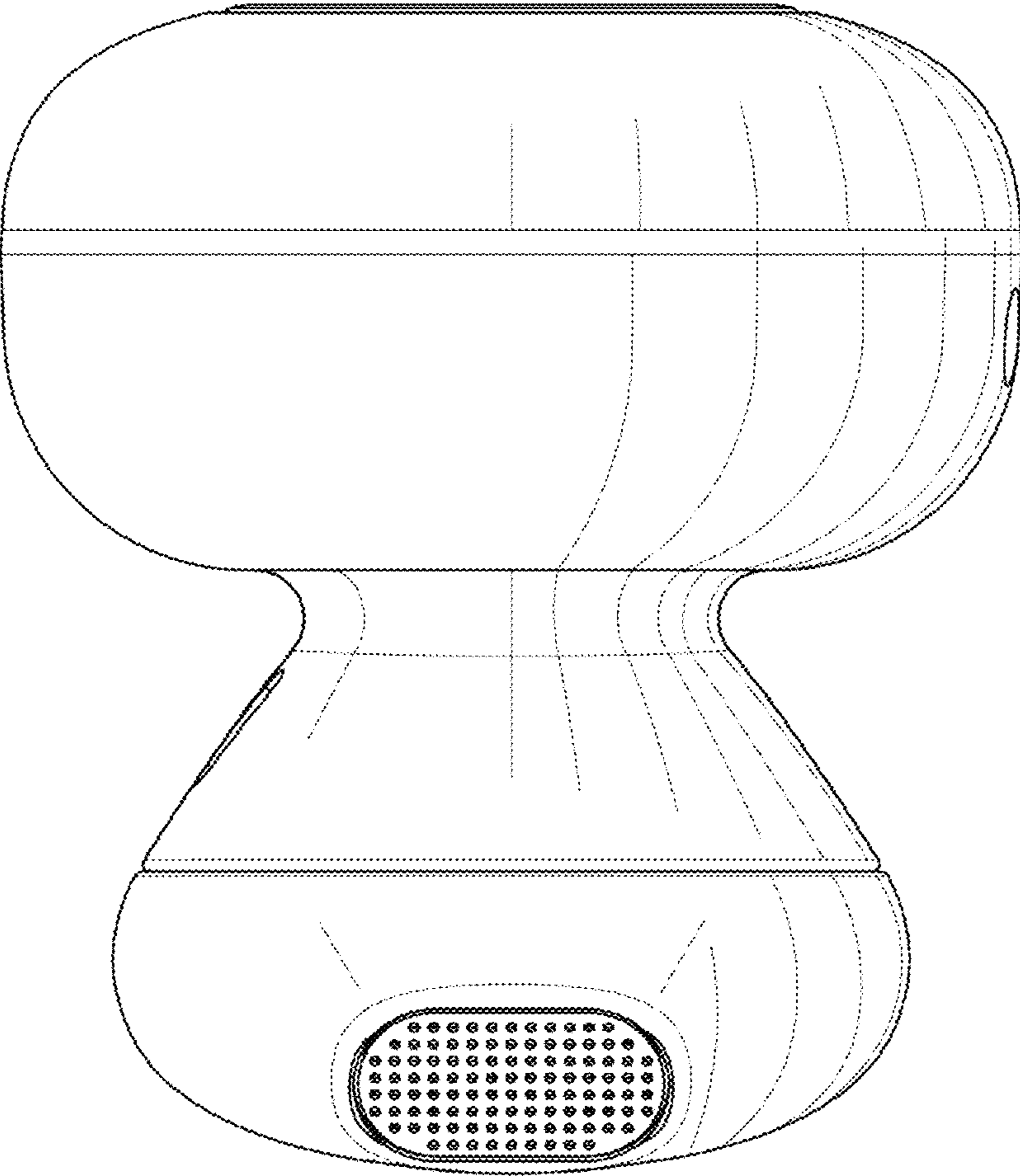


FIG. 4

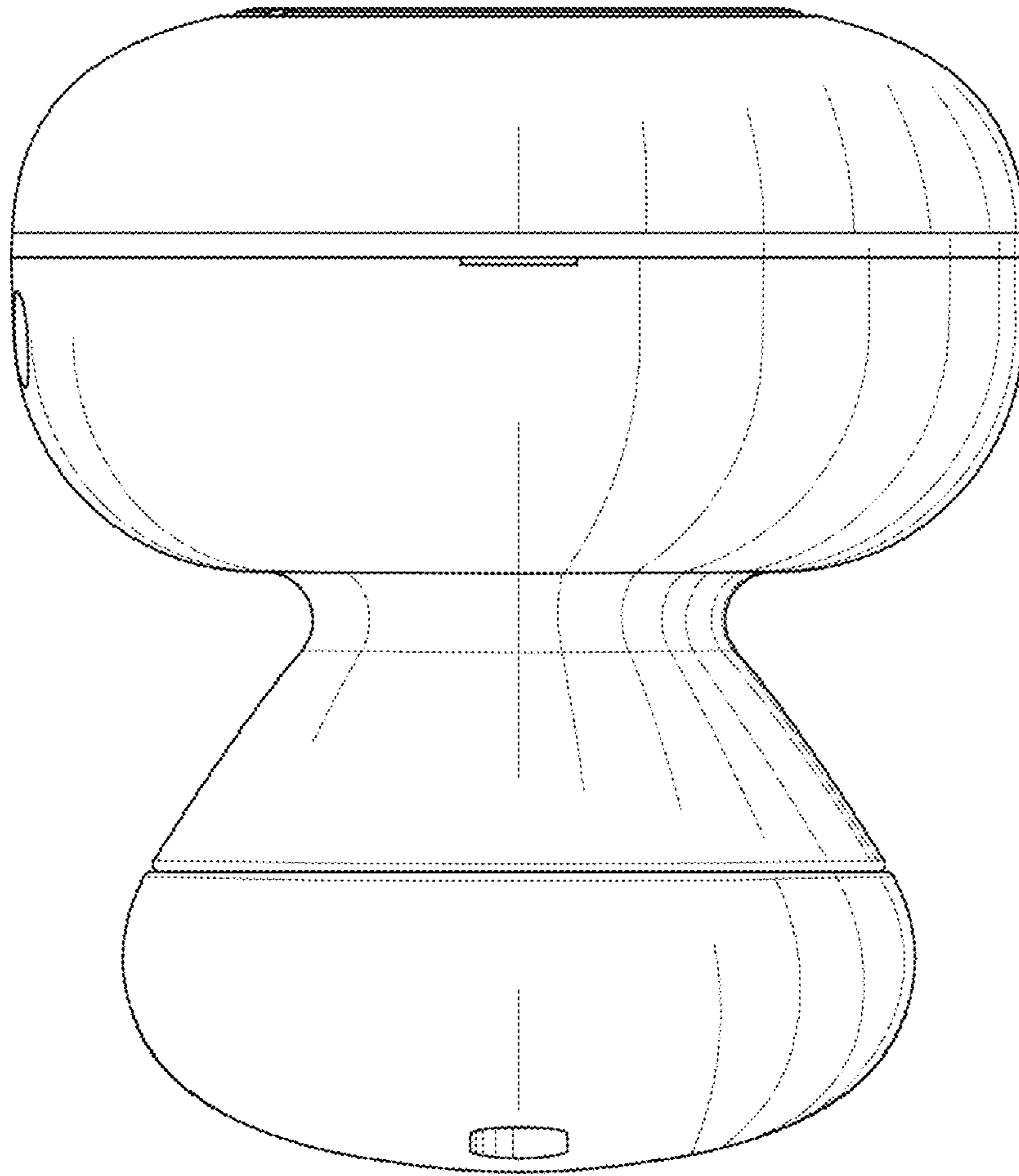


FIG. 5

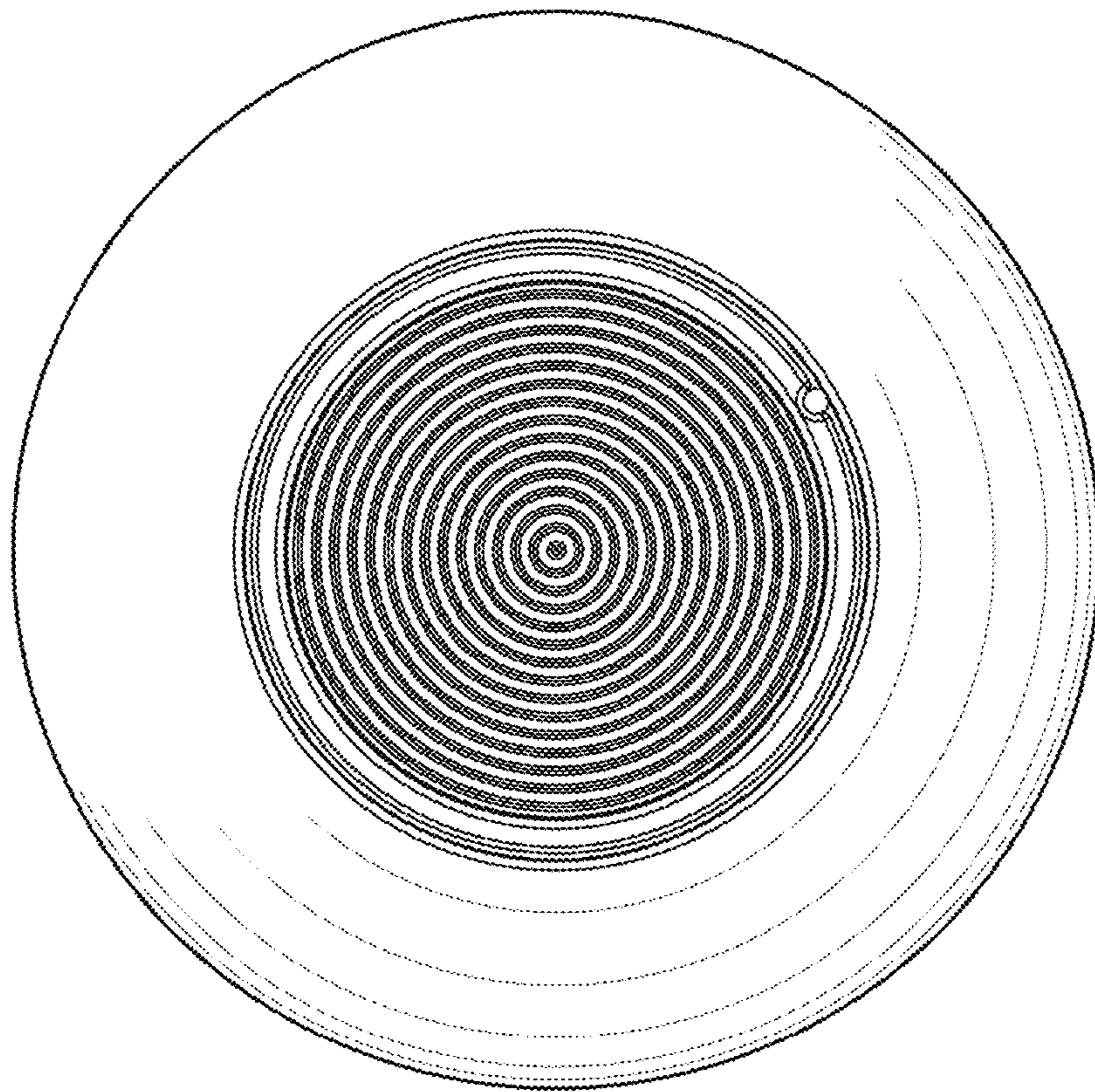


FIG. 6

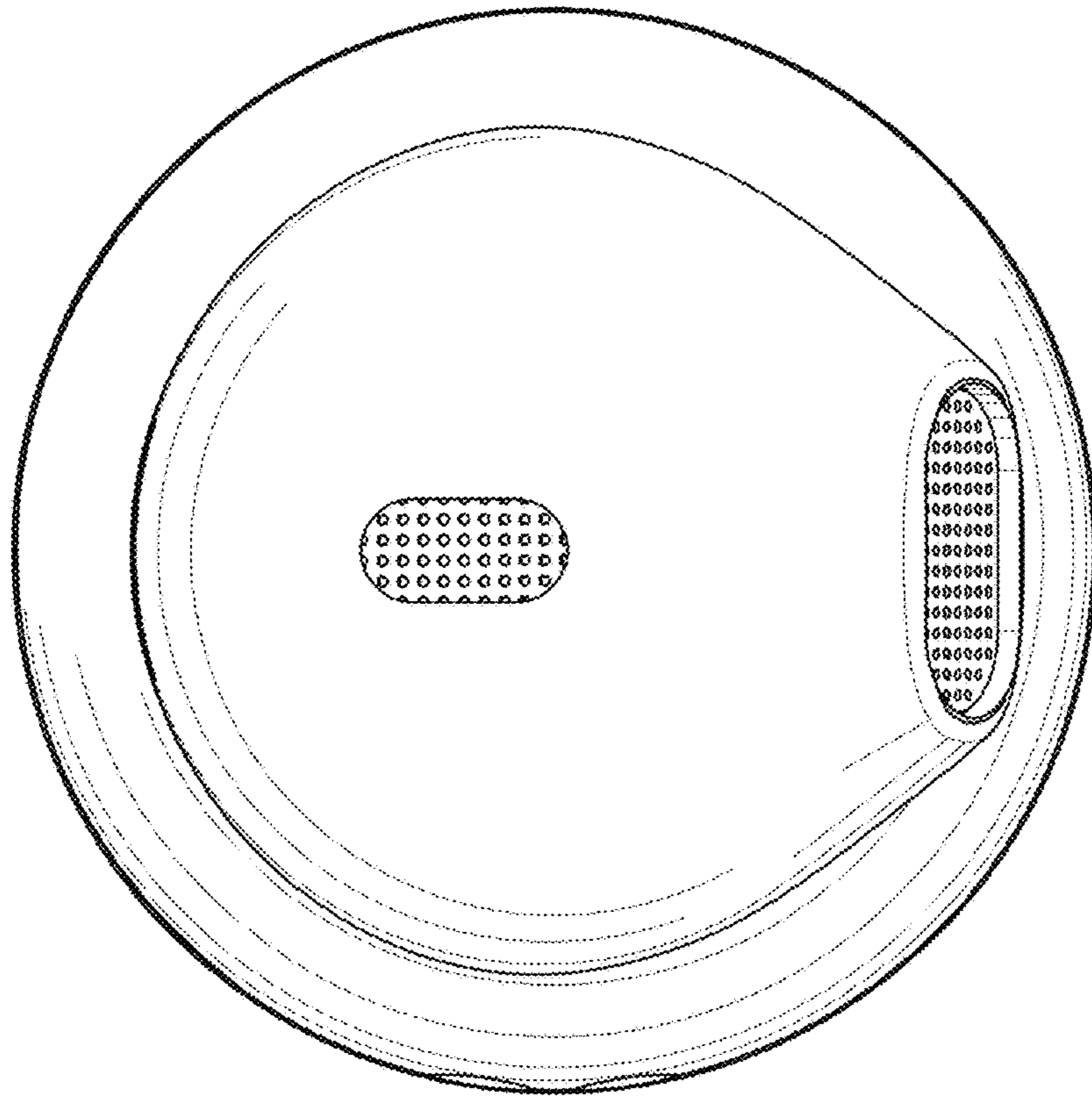


FIG. 7