

US00D864164S

(12) **United States Design Patent**
Liu

(10) **Patent No.:** **US D864,164 S**

(45) **Date of Patent:** **** Oct. 22, 2019**

- (54) **EARPHONE**
- (71) Applicant: **Dadong Liu**, Qinzhou (CN)
- (72) Inventor: **Dadong Liu**, Qinzhou (CN)
- (**) Term: **15 Years**
- (21) Appl. No.: **29/640,397**
- (22) Filed: **Mar. 14, 2018**
- (51) **LOC (12) Cl.** **14-01**
- (52) **U.S. Cl.**
USPC **D14/223**
- (58) **Field of Classification Search**
USPC D14/223, 205; D24/174, 106; 128/866;
181/129, 130, 135; 379/430, 431;
381/380, 381, 328, 324, 323; 455/90.3,
455/575.1, 569.1
CPC H04R 1/10; H04R 25/00; H04R 1/1016;
H04R 1/1066; H04R 5/033; H04R 5/0335
See application file for complete search history.

- 5,748,743 A * 5/1998 Weeks H04R 25/654
381/312
- 5,875,254 A * 2/1999 Hanright H04R 25/456
381/324
- 6,097,825 A * 8/2000 Yoest H04R 25/456
381/322
- D435,036 S * 12/2000 Koss D14/223
- 6,179,085 B1 * 1/2001 Brimhall H04R 25/652
181/135

(Continued)

FOREIGN PATENT DOCUMENTS

- CN 304393511 * 12/2017
- EM 004411965-0001 * 11/2017

Primary Examiner — Paula Allen Greene
(74) *Attorney, Agent, or Firm* — Renaissance IP Law Group, LLP; David A. Crowther

(57) **CLAIM**

The ornamental design for an earphone, as shown and described.

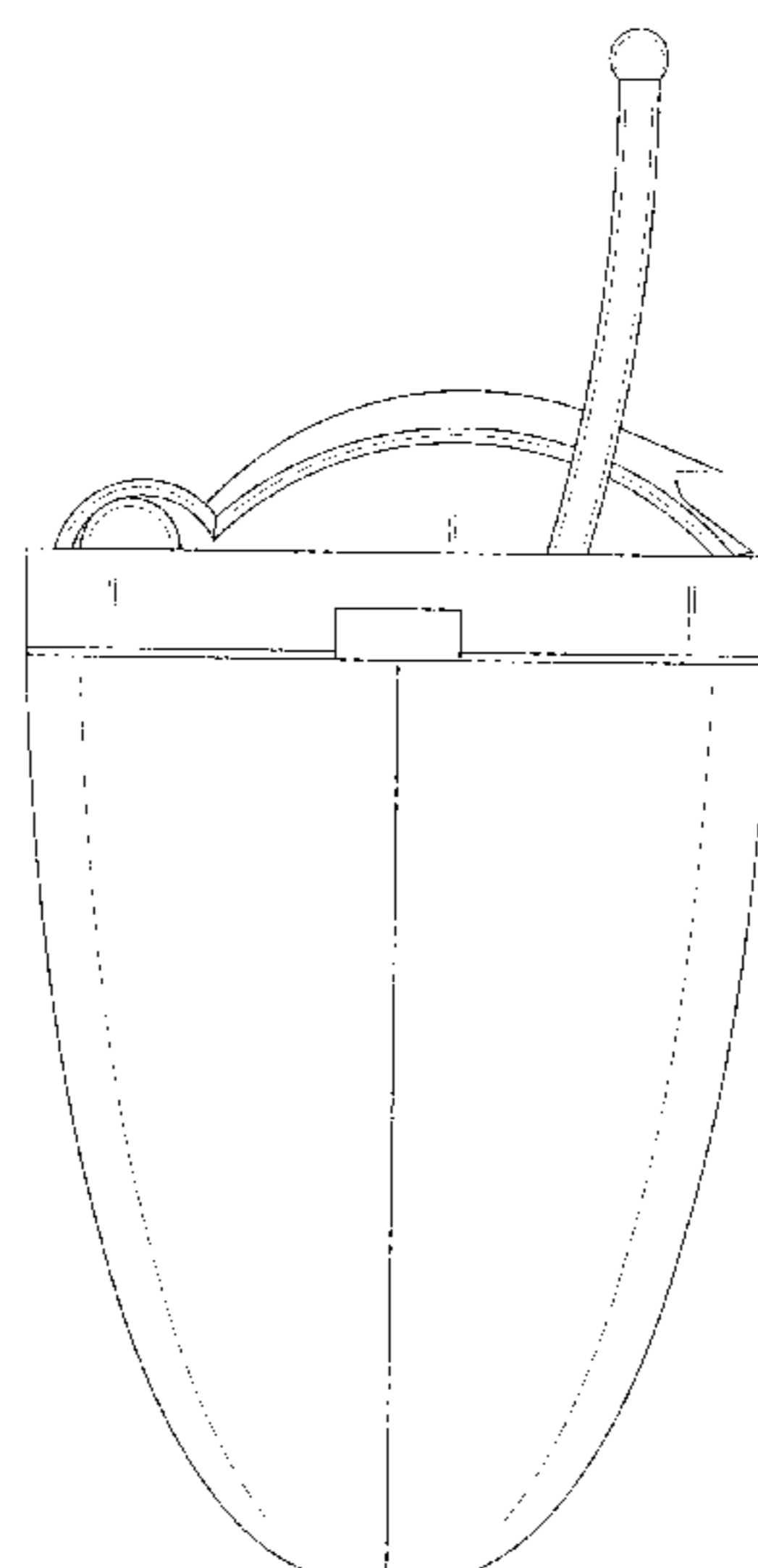
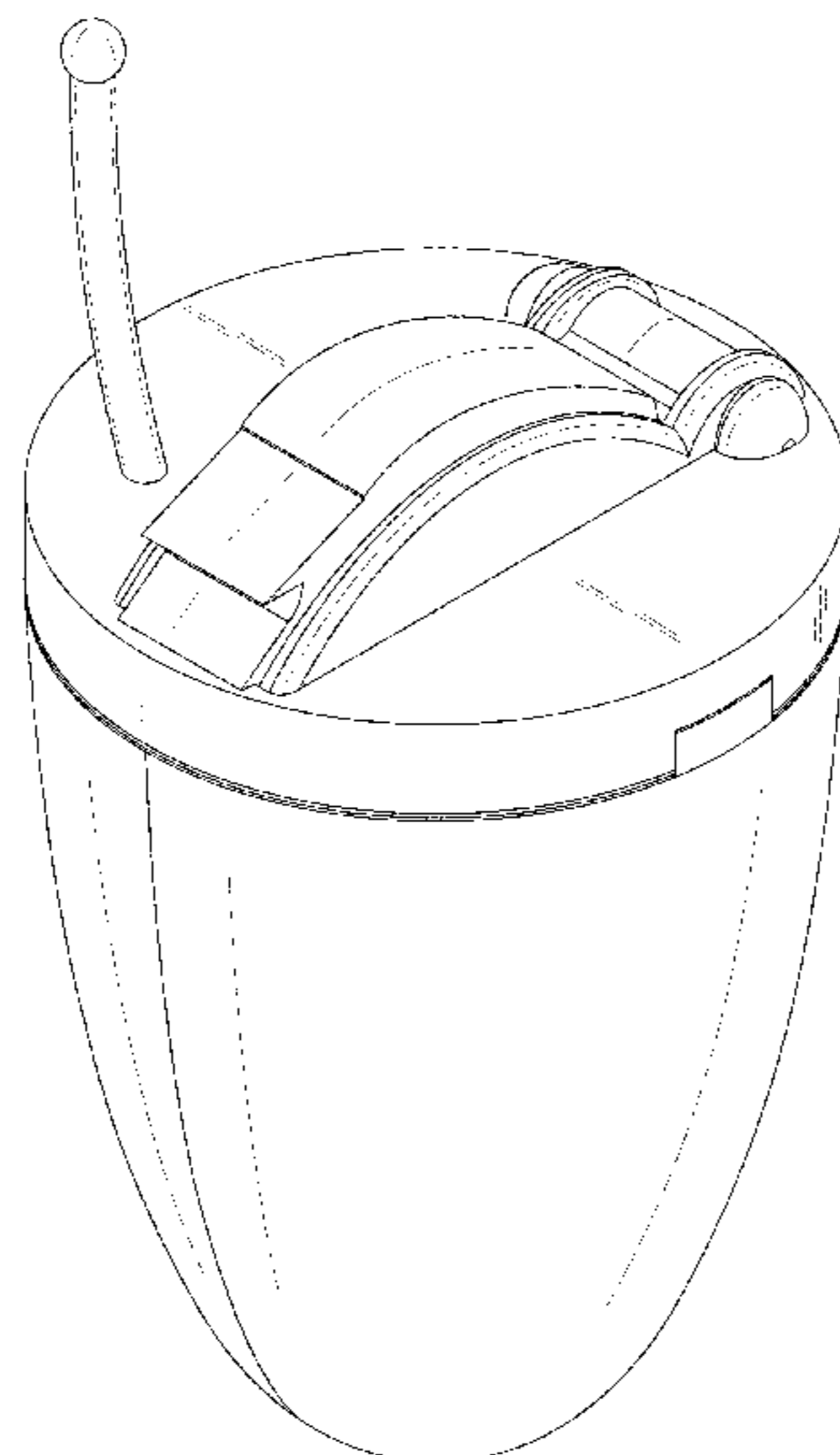
DESCRIPTION

FIG. 1 is a first perspective view of an earphone showing my new design;
 FIG. 2 is a second perspective view of the earphone of FIG. 1;
 FIG. 3 is a first side elevation view of the earphone of FIG. 1;
 FIG. 4 is a second side elevation view of the earphone of FIG. 1;
 FIG. 5 is a third side elevation view of the earphone of FIG. 1;
 FIG. 6 is a fourth side elevation view of the earphone of FIG. 1;
 FIG. 7 is a top view of the earphone of FIG. 1; and,
 FIG. 8 is a bottom view of the earphone of FIG. 1.
 The broken lines depict environment that forms no part of the claimed design.

1 Claim, 8 Drawing Sheets

(56) **References Cited**
U.S. PATENT DOCUMENTS

- 4,539,708 A * 9/1985 Norris H04B 1/088
455/100
- D287,764 S * 1/1987 Topholm D24/174
- 4,716,985 A * 1/1988 Haertl H04R 25/65
181/130
- 4,879,750 A * 11/1989 Nassler H04R 25/654
381/325
- 5,295,191 A * 3/1994 Van Vroenhoven
H04R 25/554
381/312
- 5,395,168 A * 3/1995 Leenen H04R 25/456
379/52
- 5,606,621 A * 2/1997 Reiter H04R 25/65
381/328
- 5,654,530 A * 8/1997 Sauer H04R 25/652
181/130
- 5,724,431 A * 3/1998 Reiter H01M 2/1044
381/322



(56)

References Cited

U.S. PATENT DOCUMENTS

6,228,020 B1 * 5/2001 Juneau C07D 493/10
 381/322
 6,292,572 B1 * 9/2001 Yoest H04R 25/456
 181/130
 6,430,296 B1 * 8/2002 Olsen H04R 25/60
 381/322
 6,567,527 B1 * 5/2003 Baker H01M 2/0202
 381/322
 D518,727 S * 4/2006 Haley D22/116
 D542,782 S * 5/2007 Pena Angarita D14/223
 7,264,081 B2 * 9/2007 Bruck A61F 11/08
 181/129
 7,379,555 B2 * 5/2008 Gable H01M 2/0202
 381/322
 D573,978 S * 7/2008 Ledbetter D14/205
 D576,154 S * 9/2008 Ledbetter D14/223
 7,443,992 B2 * 10/2008 Fideler H04R 25/604
 381/322
 D595,837 S * 7/2009 Benner D24/106
 D600,675 S * 9/2009 Lee D14/205
 D614,168 S * 4/2010 Rogers D14/206
 D621,388 S * 8/2010 Koss D14/223
 D624,902 S * 10/2010 Kolton D14/205
 7,931,027 B2 * 4/2011 Topholm H04R 25/652
 128/864
 D637,181 S * 5/2011 Fuller D14/223

D639,280 S * 6/2011 Hayes D14/223
 7,984,716 B2 * 7/2011 Purcell A61F 11/08
 128/865
 8,068,631 B2 * 11/2011 Saltykov H04R 25/604
 181/130
 D656,922 S * 4/2012 Massaro D14/223
 D676,427 S * 2/2013 Yang D14/223
 D680,102 S * 4/2013 Chen D14/223
 D691,278 S * 10/2013 Aunio D14/223
 8,573,353 B2 * 11/2013 Mulvey A61F 11/08
 181/130
 D702,668 S * 4/2014 Narita H04R 1/10
 D14/223
 D717,273 S * 11/2014 Thomas D14/205
 8,983,108 B2 * 3/2015 Ho H04R 1/1016
 181/135
 D751,053 S * 3/2016 Shin D14/205
 D777,903 S * 1/2017 Schultz D24/108
 D781,269 S * 3/2017 Choe D14/223
 D813,206 S * 3/2018 Tang D14/223
 D826,217 S * 8/2018 Deng D14/223
 2002/0025055 A1 * 2/2002 Stonikas H04R 25/652
 381/322
 2007/0154042 A1 * 7/2007 Buckley B65D 85/38
 381/322
 2009/0060241 A1 * 3/2009 Saltykov H04R 25/456
 381/324
 2011/0110552 A1 * 5/2011 Pang H04R 1/1033
 381/374

* cited by examiner

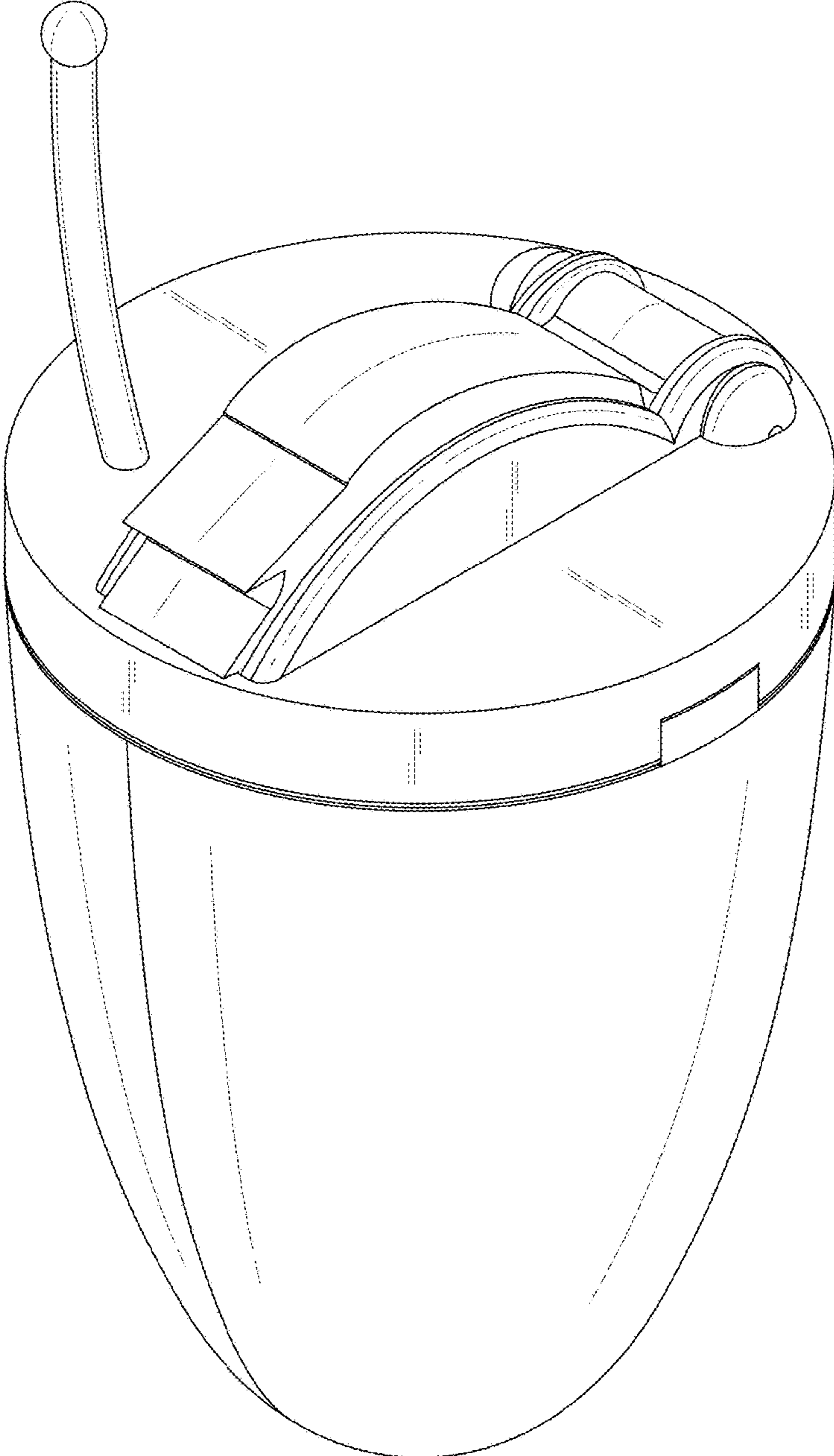


FIG. 1

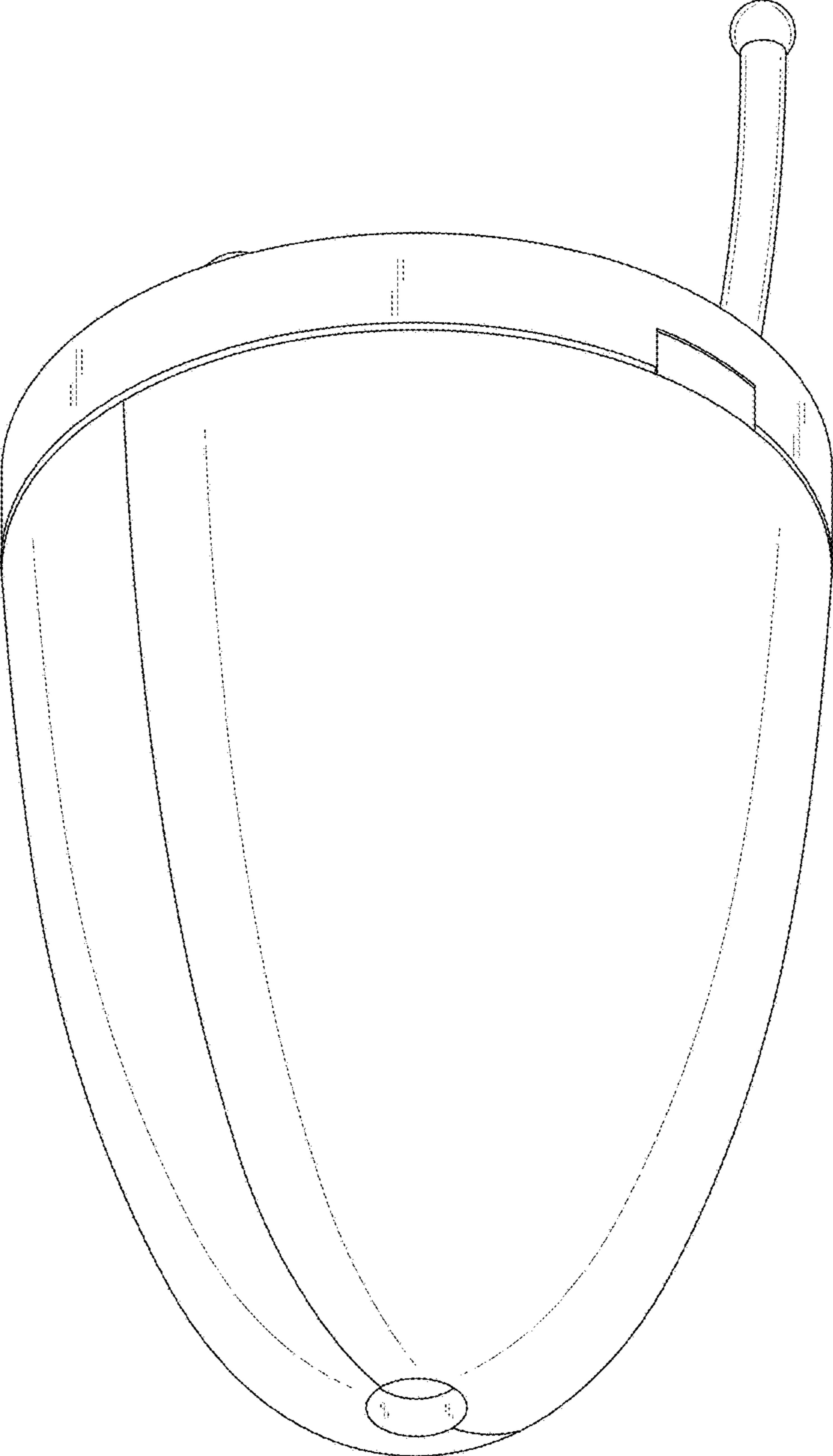


FIG. 2

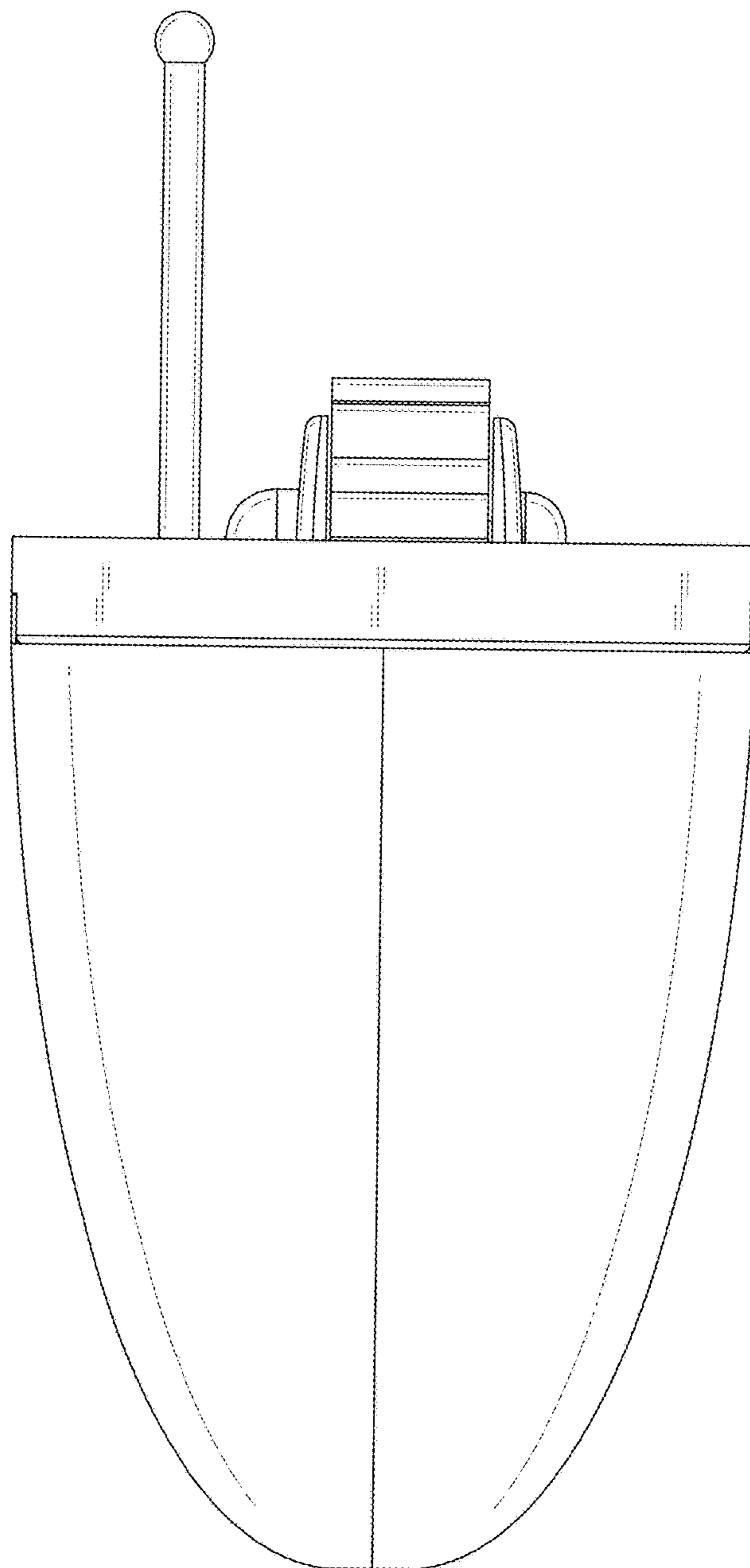


FIG. 3

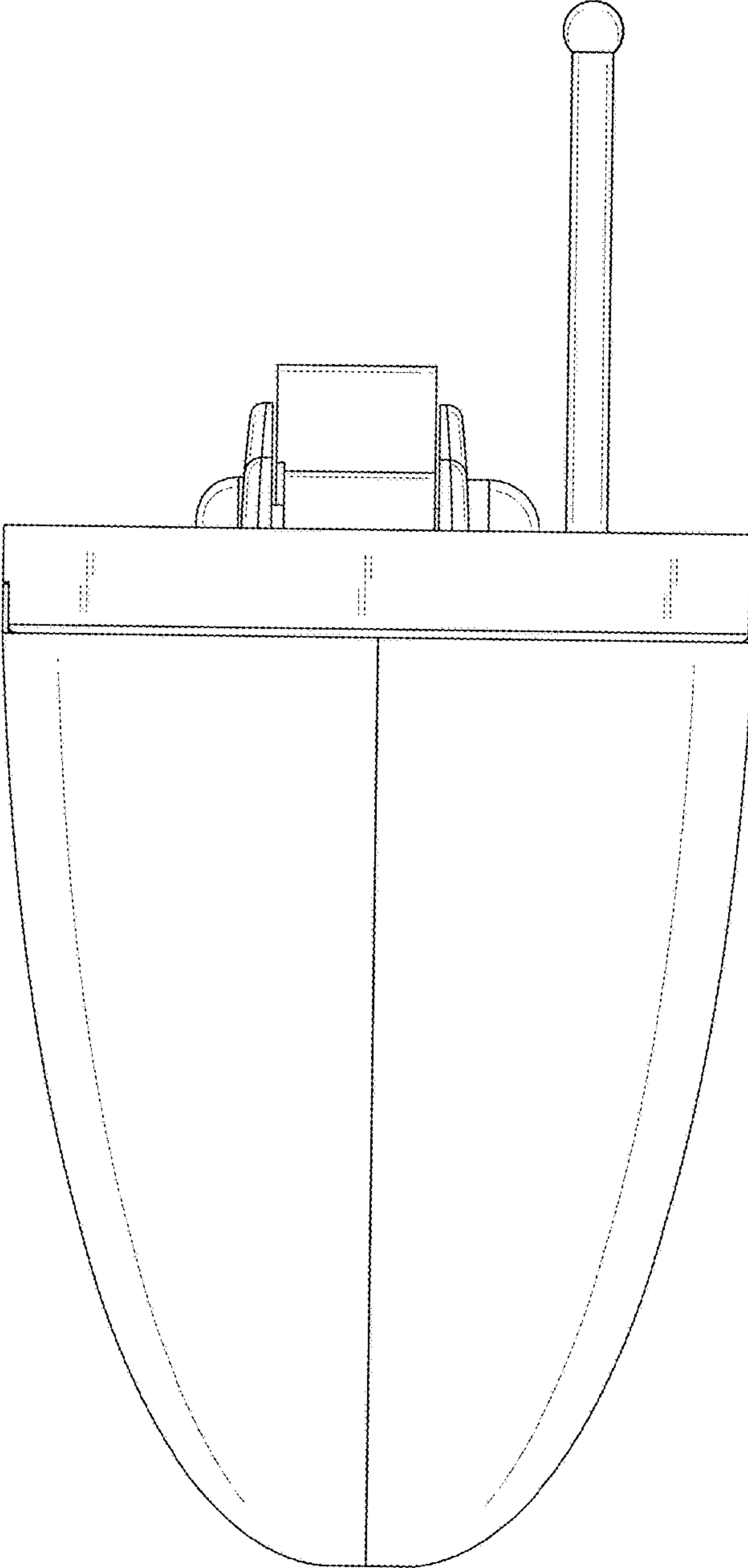


FIG. 4

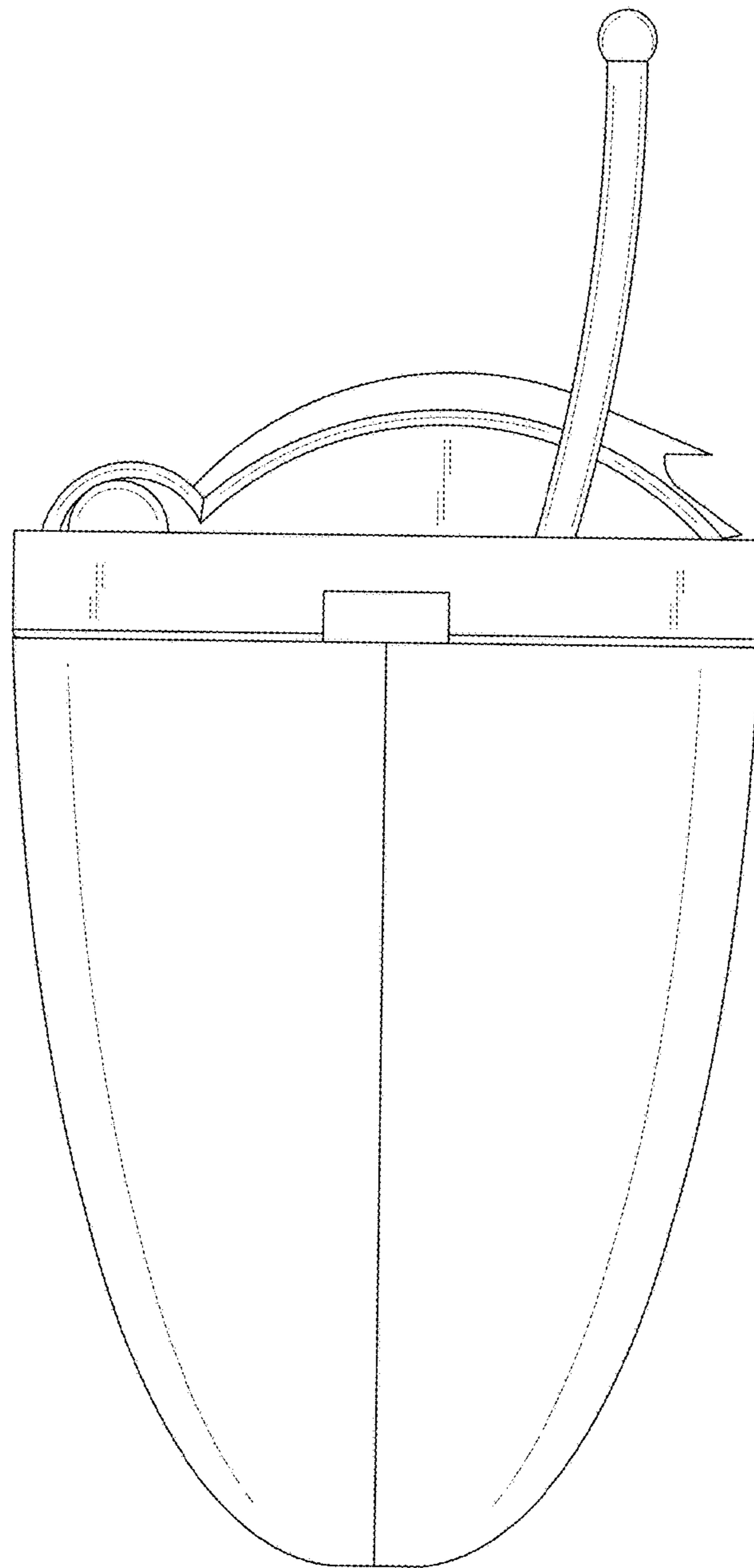


FIG. 5

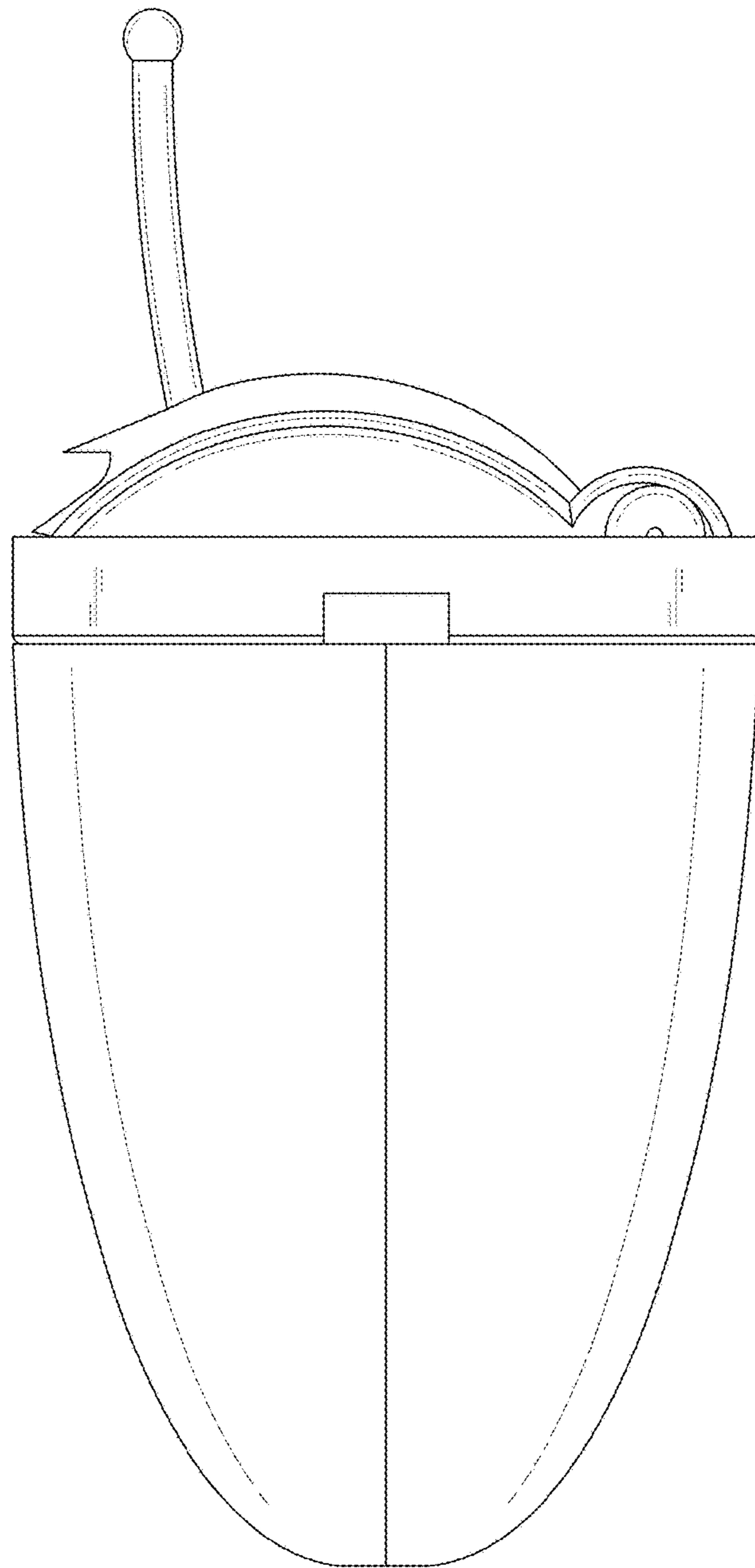


FIG. 6

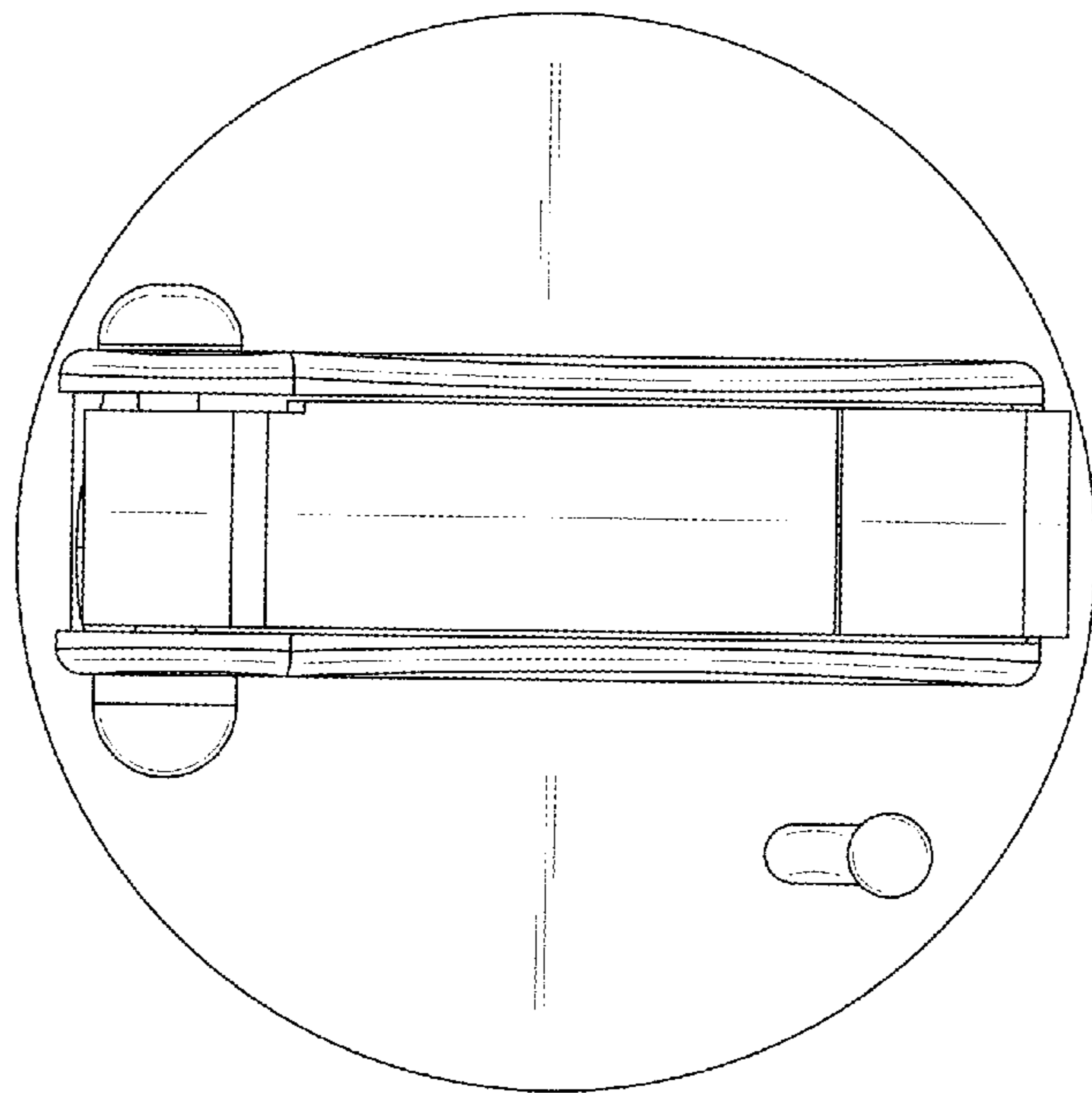


FIG. 7

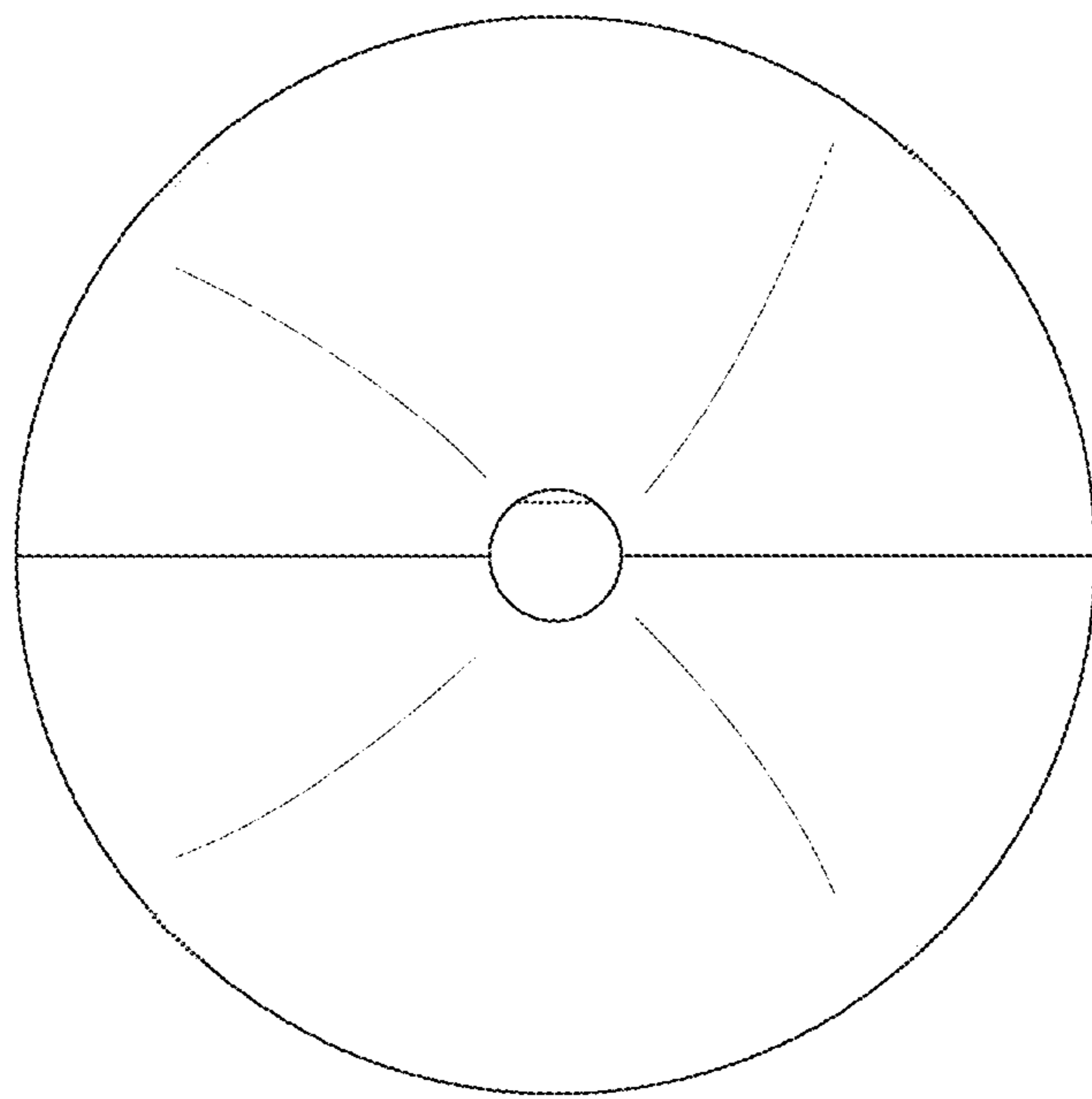


FIG. 8