

US00D864162S

(12) **United States Design Patent**
Peterson et al.

(10) **Patent No.:** **US D864,162 S**

(45) **Date of Patent:** **** Oct. 22, 2019**

(54) **SPEAKER**

(71) Applicant: **SDS Asia Limited, BVI #1748971,**
Hong Kong (CN)

(72) Inventors: **Leroy L. Peterson,** Omaha, NE (US);
Jason Koranda, Omaha, NE (US)

(73) Assignee: **SDS Asia Limited, BVI #1748971,**
Hong Kong (HK)

(**) Term: **15 Years**

(21) Appl. No.: **29/593,975**

(22) Filed: **Feb. 14, 2017**

(51) **LOC (12) Cl.** **14-01**

(52) **U.S. Cl.**
USPC **D14/216**

(58) **Field of Classification Search**
USPC D14/167, 168, 170–172, 188, 192,
D14/194–196, 204, 205, 207, 209.1,
D14/210–216, 219, 221–223, 496;
181/198, 199; 381/300, 303, 332, 334,
381/336, 345

CPC H04R 1/02; H04R 1/021; H04R 1/025;
H04R 1/026; H04R 1/028; H04R 1/34;
H04R 1/40; H04R 1/323; H04R 1/403;
H04R 1/345; H04R 1/2803; H04R
1/2834; H04R 5/02; H04R 9/06; H04R
2201/021; H04R 2400/00; H04R 2400/07;
H04R 2400/03; H04R 5/033; H04R
5/0335; B60R 11/0217; G06F 1/1688;
G10K 9/22; G10K 11/004; H03F 1/327;
H04N 5/642

See application file for complete search history.

(56) **References Cited**

U.S. PATENT DOCUMENTS

D304,944 S * 12/1989 Behringer D14/188
D584,289 S * 1/2009 Lee D14/216

D584,290 S * 1/2009 Lee D14/216
D699,218 S * 2/2014 Lee D14/216
D707,656 S * 6/2014 Brunner D14/216
D742,359 S * 11/2015 Zhao D14/216
D749,666 S * 2/2016 Ahdoot D14/218
9,282,401 B2 3/2016 Lee
D806,680 S * 1/2018 Demin D14/216
D814,442 S * 4/2018 Ye D14/216

(Continued)

OTHER PUBLICATIONS

ivation Waterproof Bluetooth Floating Speaker, White, Amazon.
com, Printed online Feb. 24, 2017 at https://www.amazon.com/gp/product/B00GZ7PSOA/ref=as_li_qf_sp_asin, 7 pages.

(Continued)

Primary Examiner — R. Johnson

(74) *Attorney, Agent, or Firm* — Suiter Swantz pc llo

(57) **CLAIM**

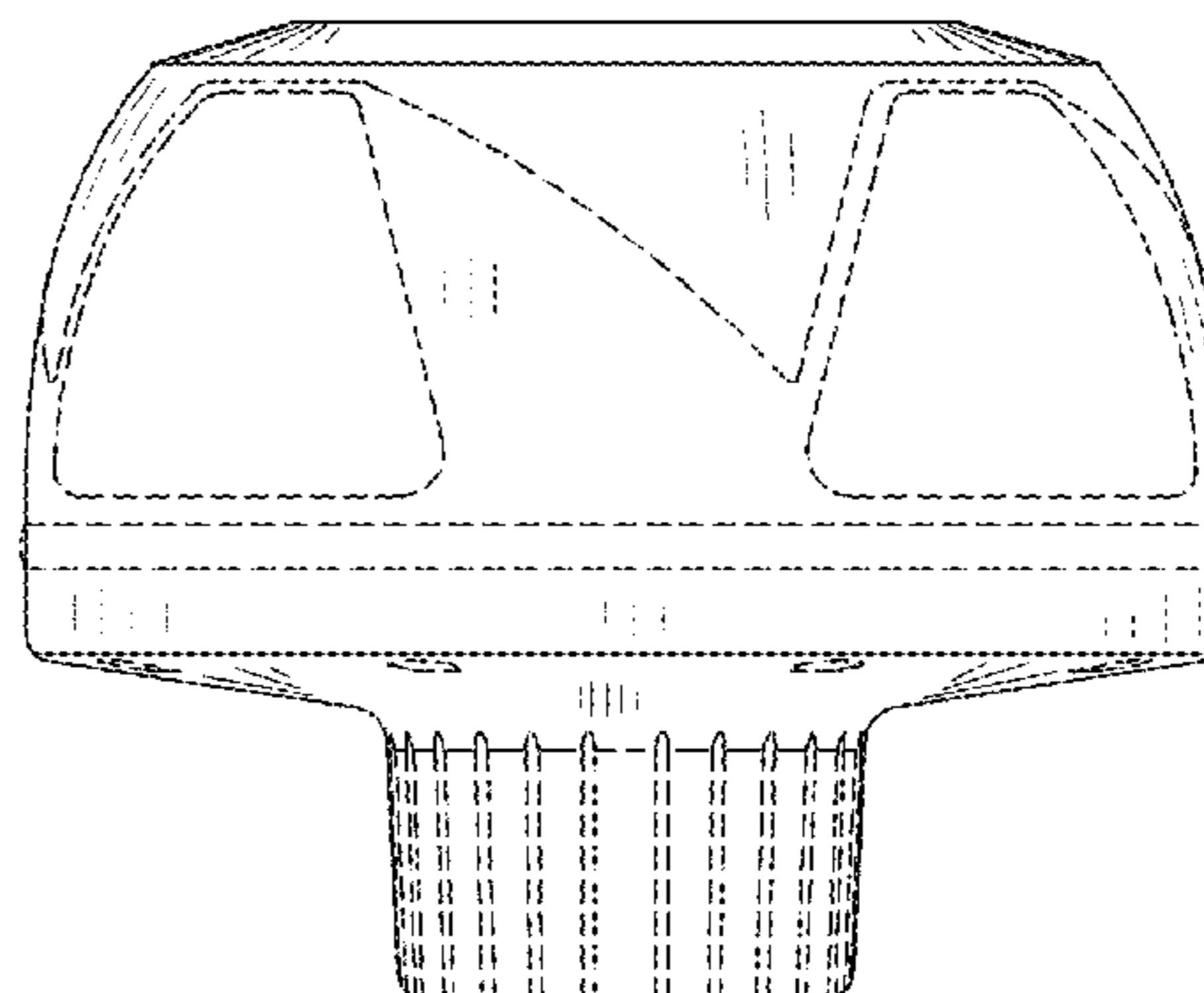
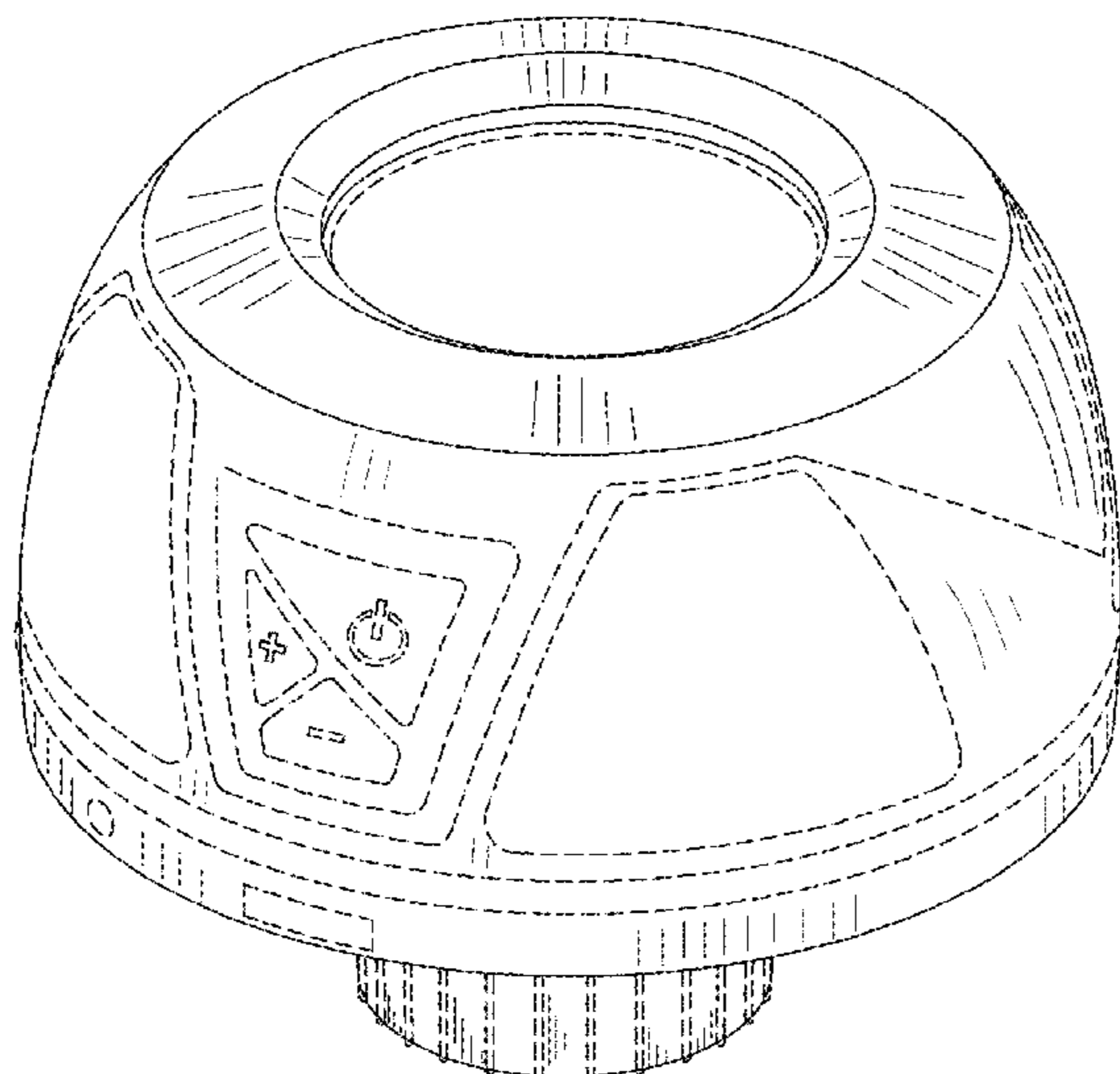
The ornamental design for a speaker, as shown and described.

DESCRIPTION

FIG. 1 is a perspective view showing our new design;
FIG. 2 is a top plan view thereof;
FIG. 3 is a front elevation view thereof;
FIG. 4 is a left side elevation view thereof;
FIG. 5 is a rear elevation view thereof;
FIG. 6 is a right side elevation view thereof;
FIG. 7 is a bottom plan view thereof;
FIG. 8 is a perspective view showing our new design;
FIG. 9 is a top plan view thereof;
FIG. 10 is a front elevation view thereof; and,
FIG. 11 is a rear elevation view thereof.

The broken lines showing a handle, speaker covers (top circular speaker cover and four trapezoidal speaker covers), user-interface buttons, cable ports, grooves, a light ring, ridges, and indentations of FIGS. 1-11 form no part of the claimed design.

1 Claim, 7 Drawing Sheets



(56)

References Cited

U.S. PATENT DOCUMENTS

D820,238 S * 6/2018 Boshernitzan D14/218
D820,318 S * 6/2018 Mullins D14/496
D826,212 S * 8/2018 Doggett D14/207
D828,331 S * 9/2018 Li D14/216
2015/0195653 A1 7/2015 Barone et al.

OTHER PUBLICATIONS

OMO+ Optical Musical Onject, The Only Portable, Waterproof, Bluetooth, Floating-Light Show Music Payer—40W of Power with 4x Speakers, 2x Sub-Woofers, 2x Rapids-USB Ports, 1 Year Warranty, Black, Amazon.com, Printed online Feb. 24, 2017 at <https://www.amazon.com/dp/B01F2O14FS?psc=1>, 6 pages.

Pyle PWR90DBK Aqua Blast Waterproof Bluetooth Floating Pool Built-In and Wireless, Amazon.com, Printed online Feb. 24, 2017, at <https://www.amazon.com/Pyle-PWR90DBK-Waterproof-Bluetooth-Recha>, 8 pages.

* cited by examiner

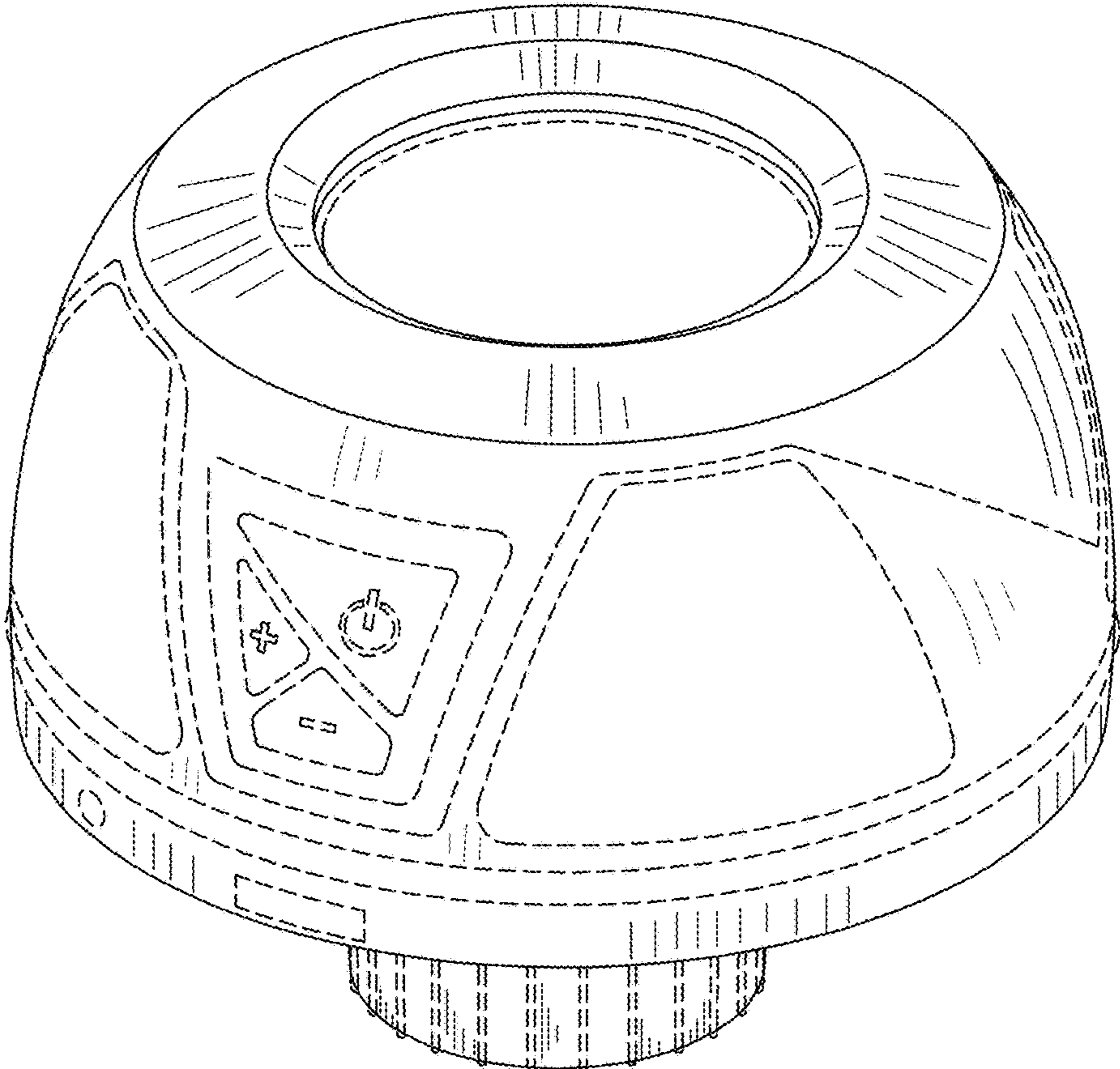


FIG. 1

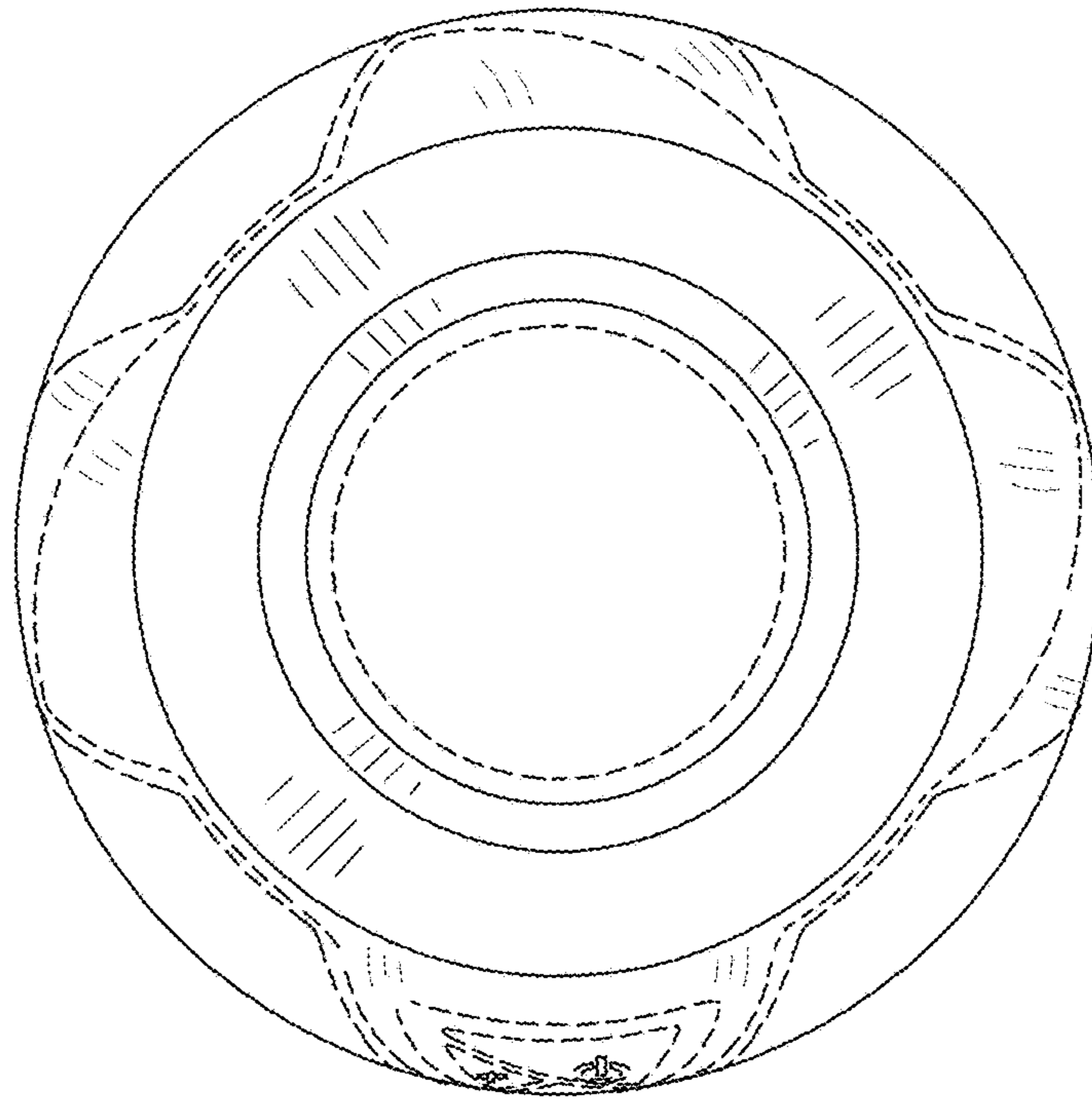


FIG. 2

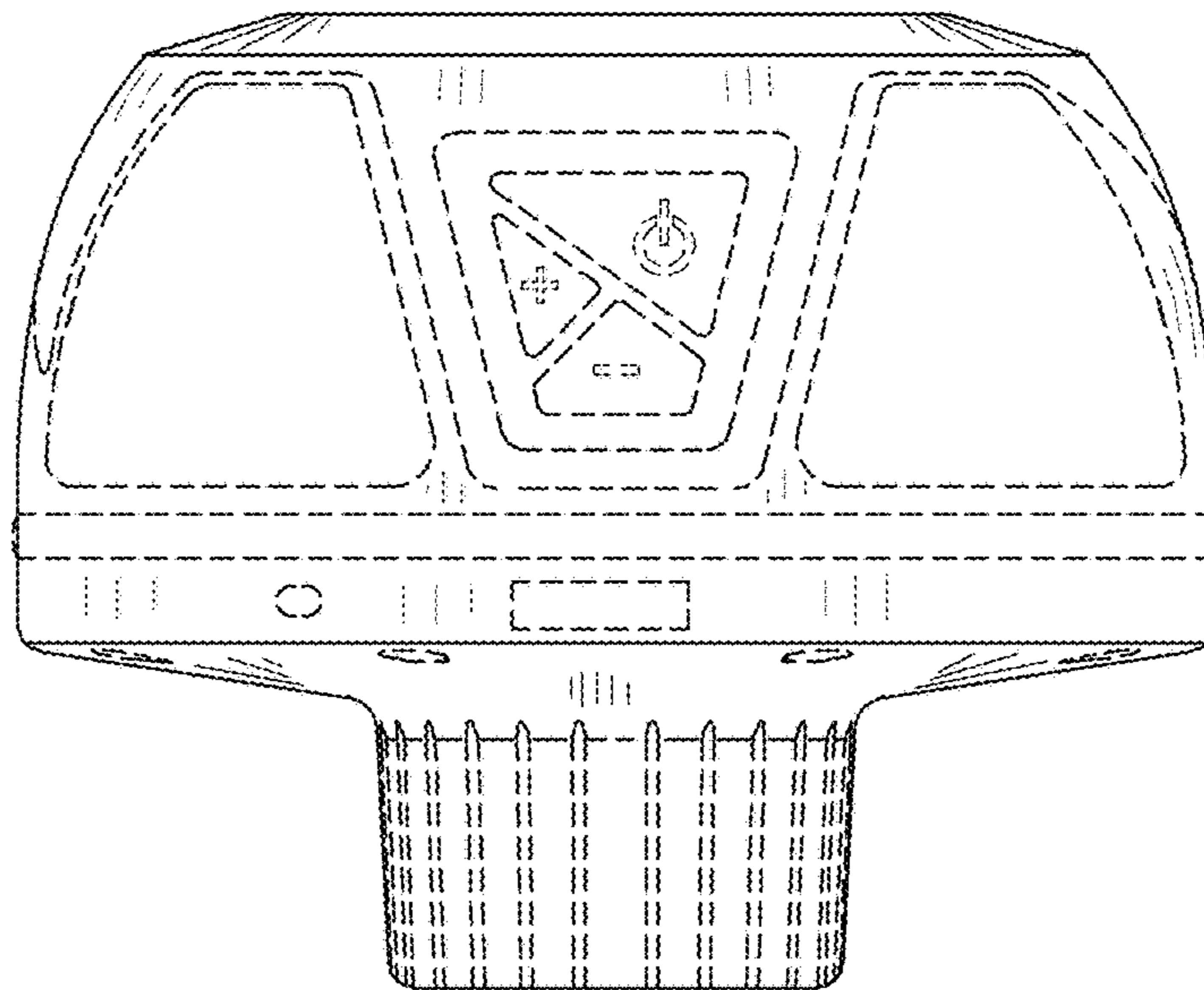


FIG. 3

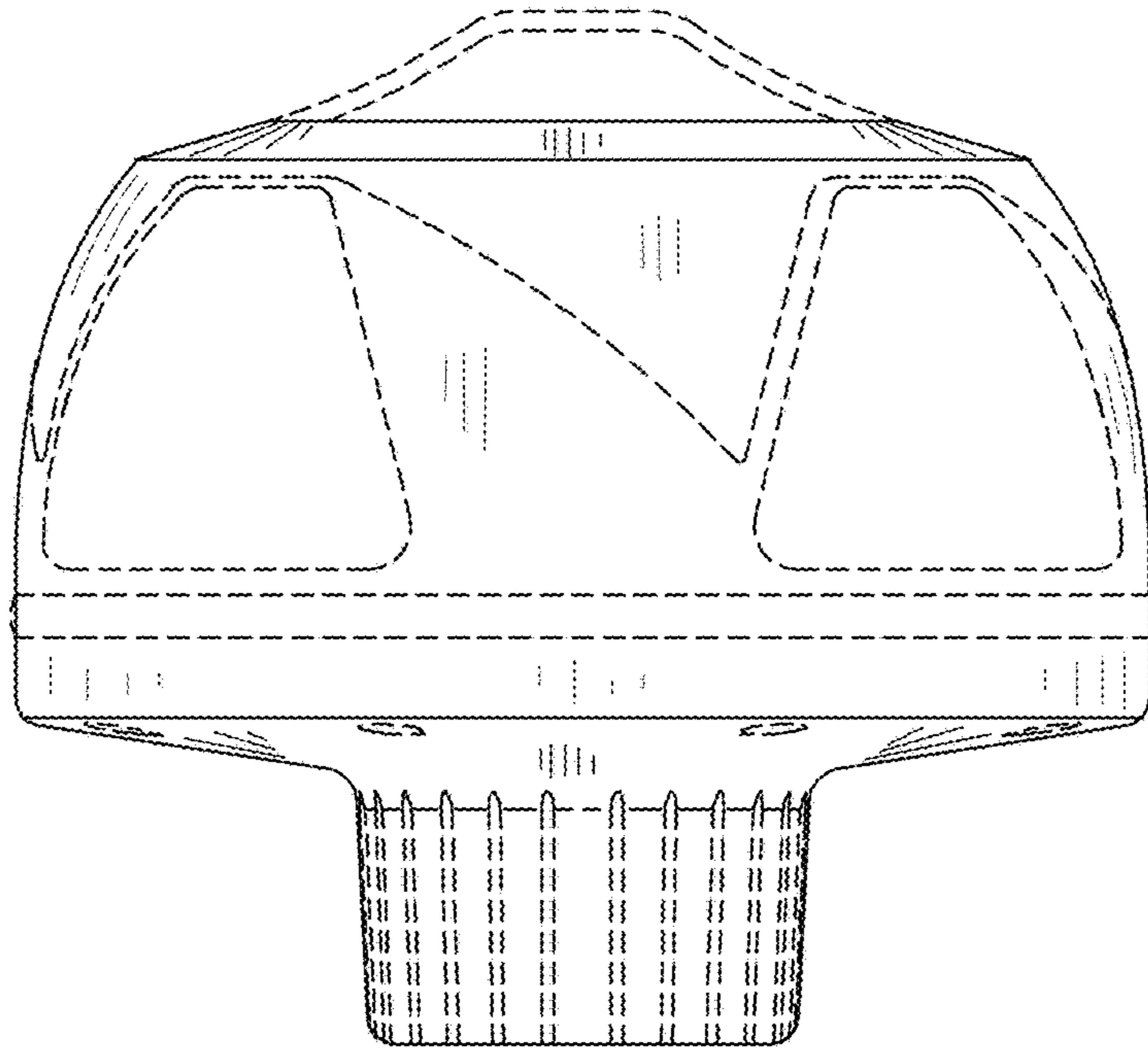


FIG. 4

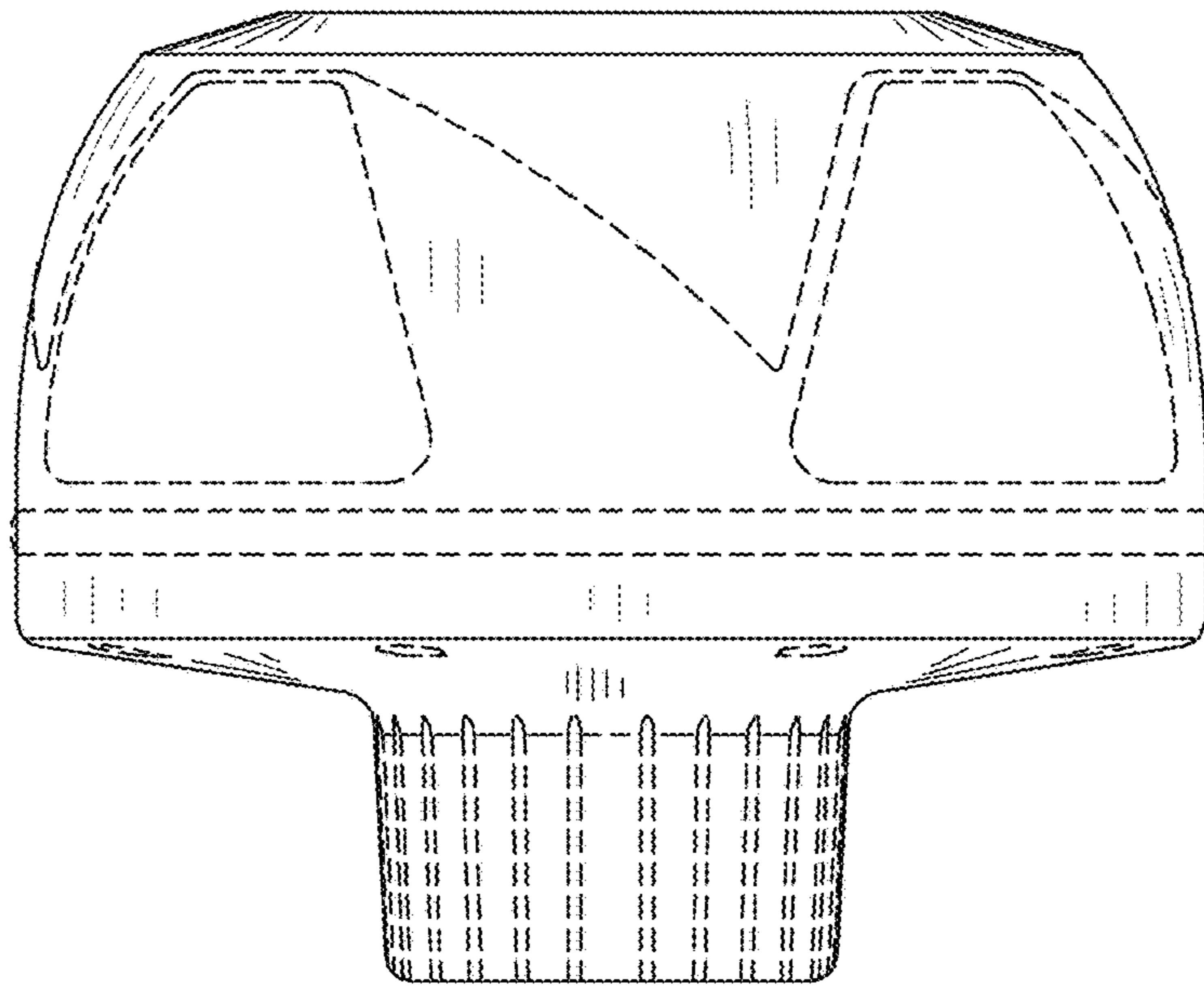


FIG. 5

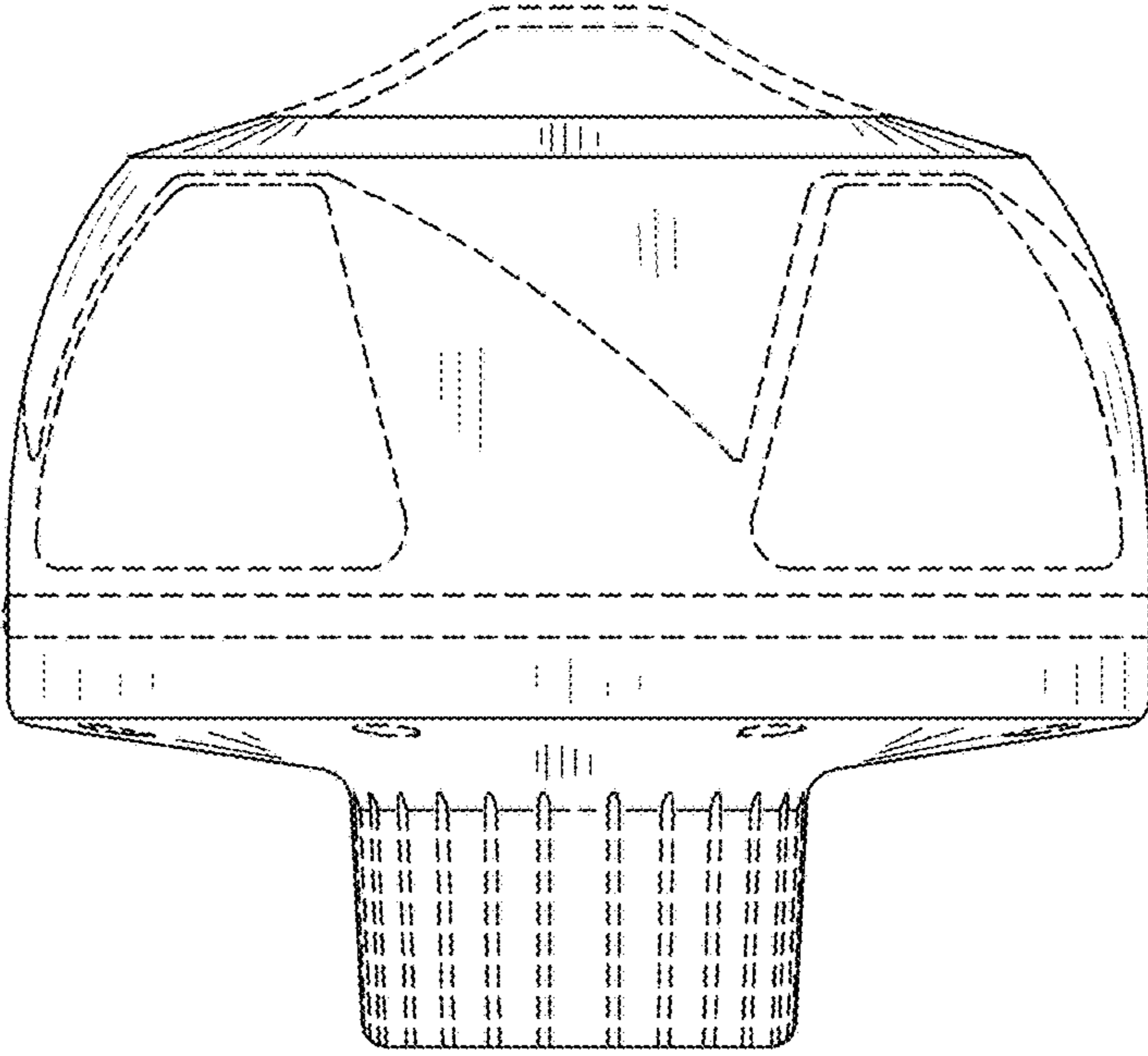


FIG. 6

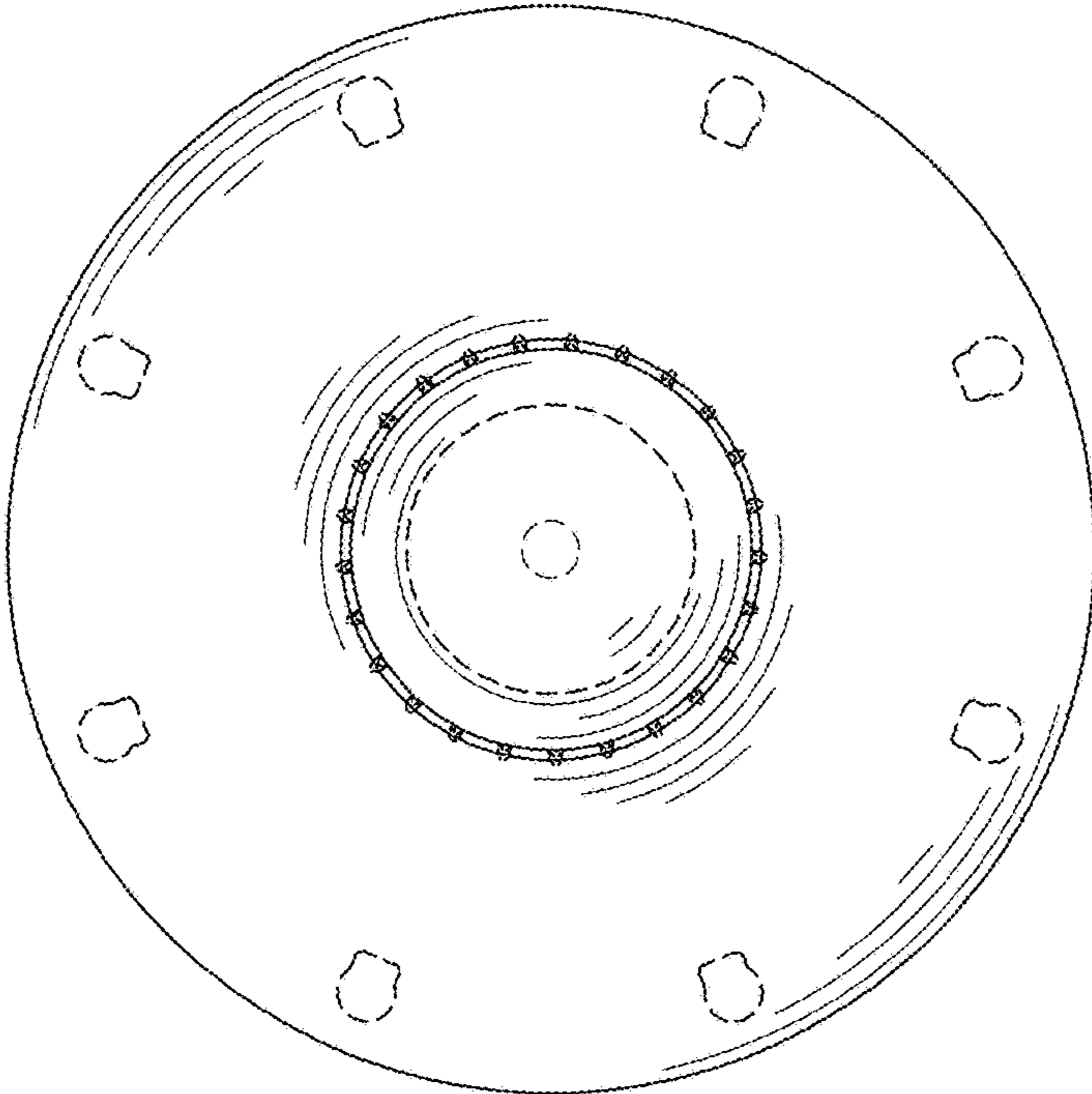


FIG. 7

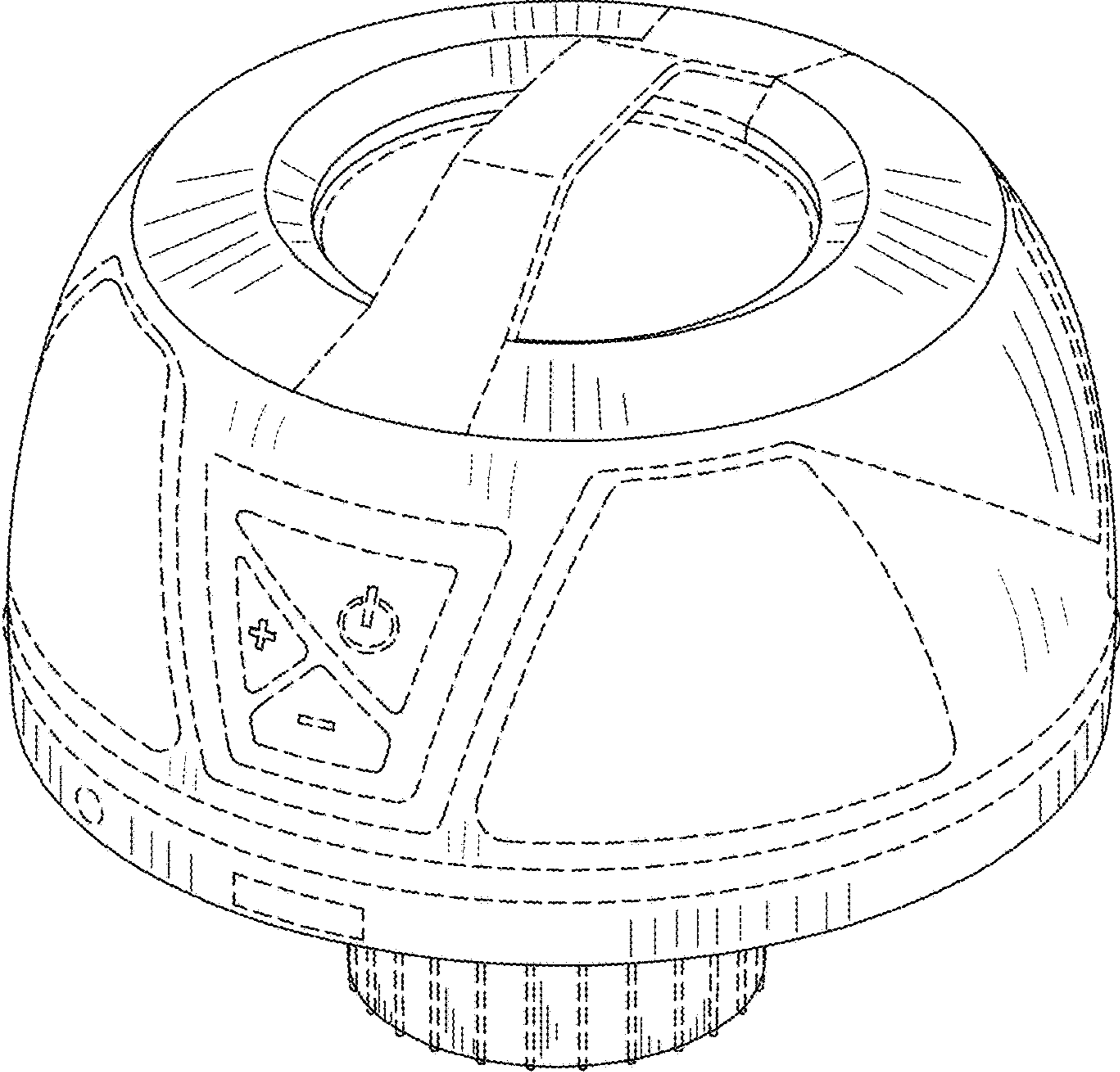


FIG. 8

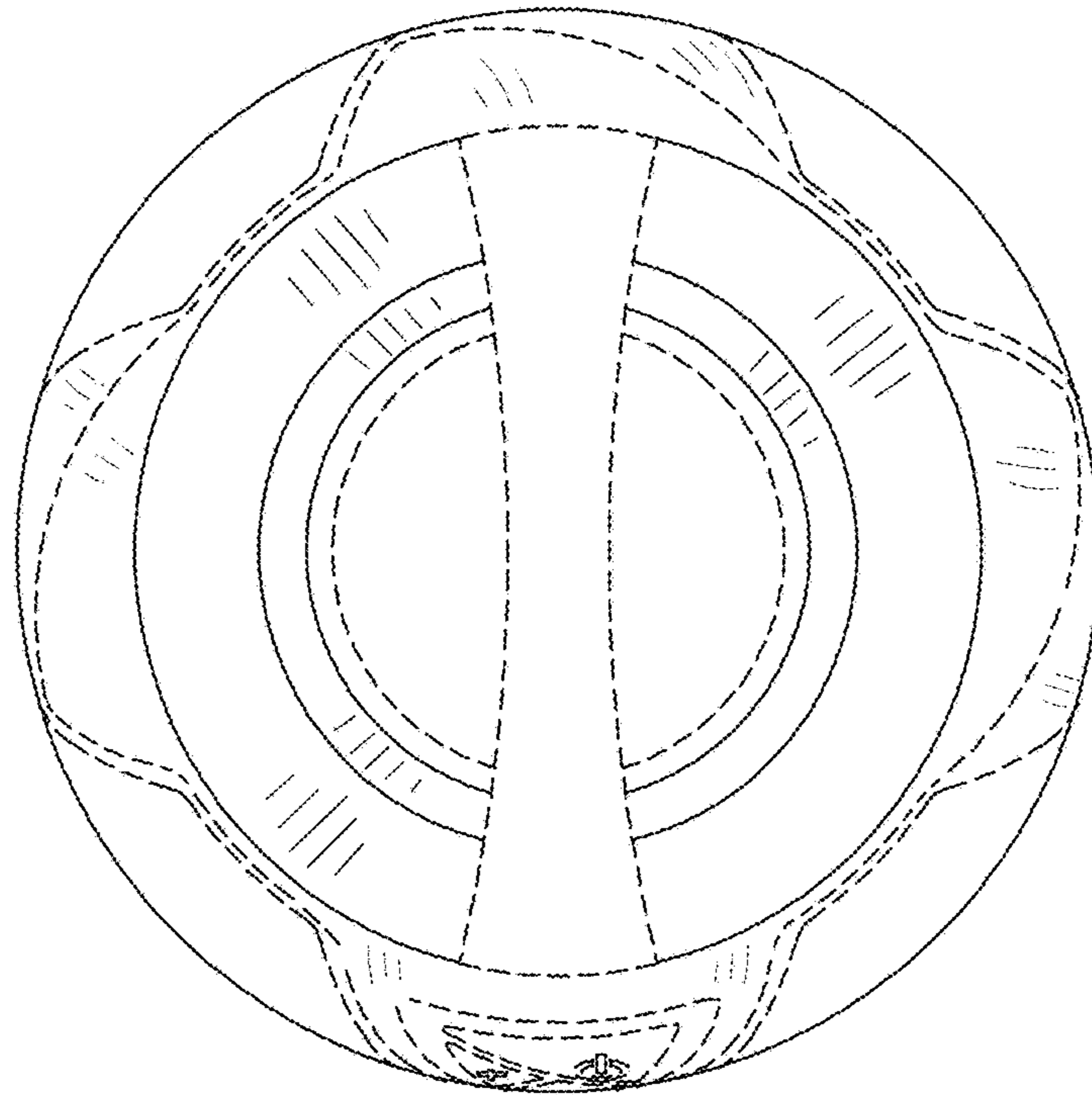


FIG. 9

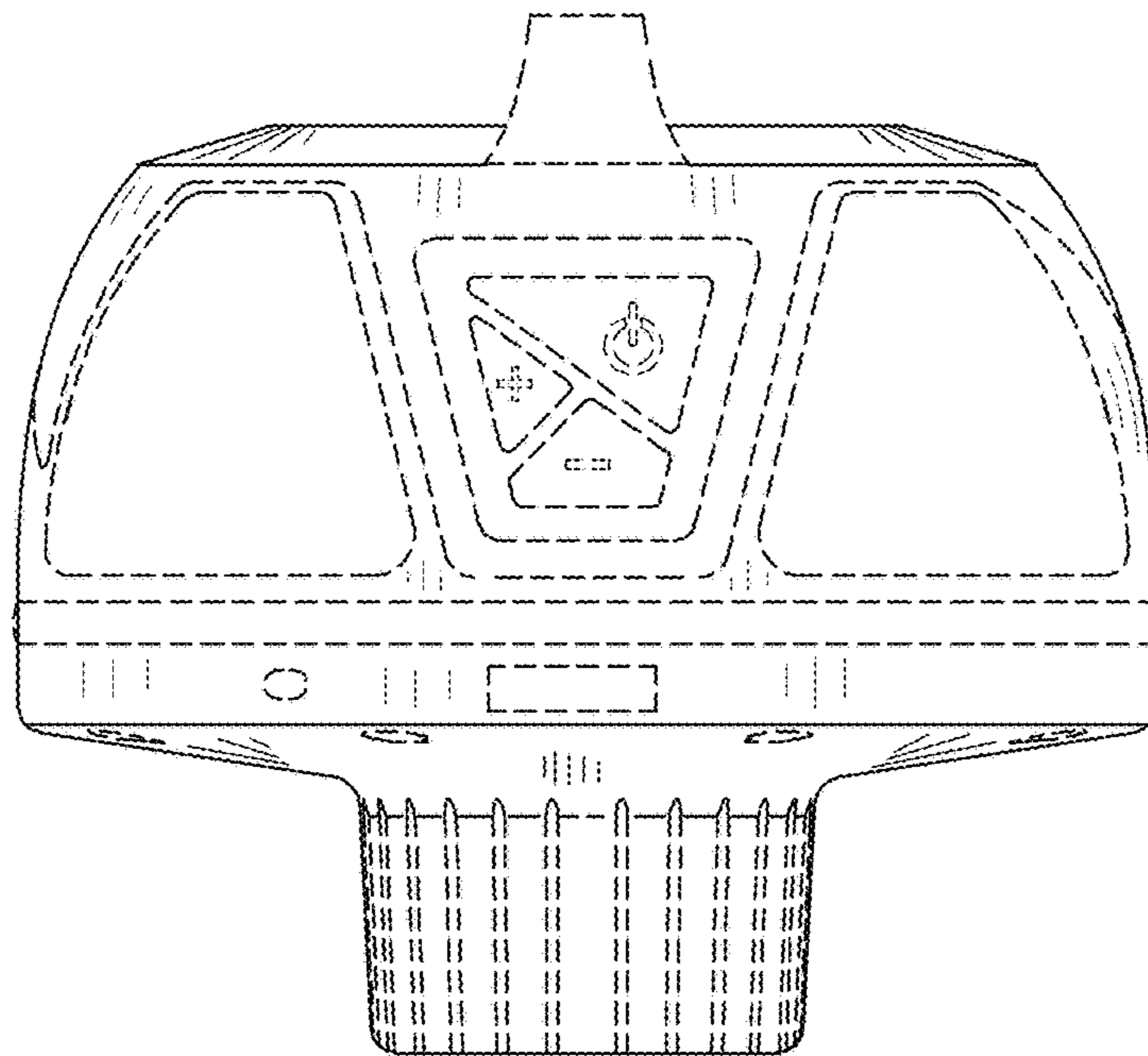


FIG. 10

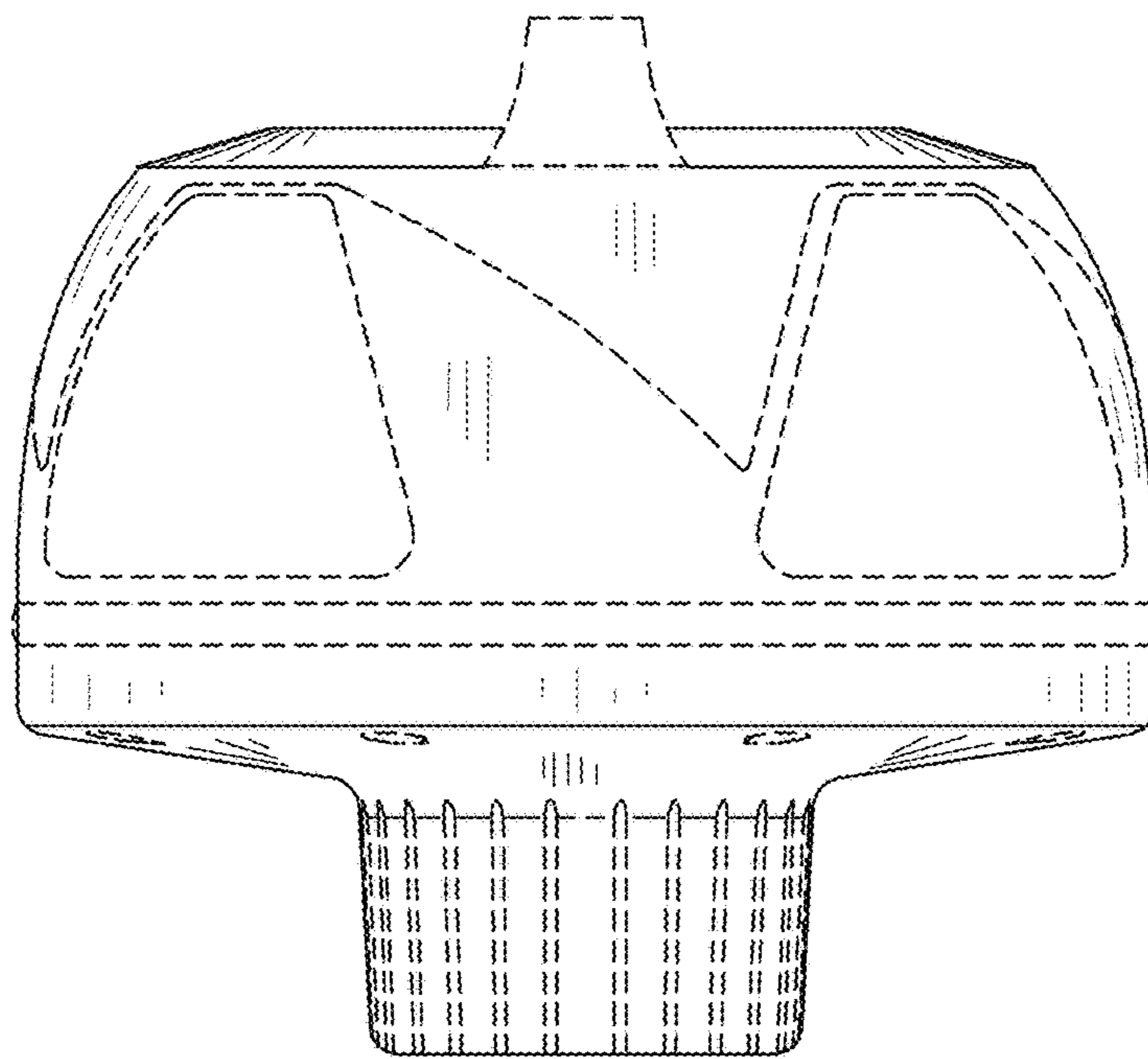


FIG. 11