



US00D864161S

(12) **United States Design Patent** (10) **Patent No.:** **US D864,161 S**
Modestine et al. (45) **Date of Patent:** **** Oct. 22, 2019**

(54) **WIRELESS SPEAKER**

(71) Applicant: **Ring Inc.**, Santa Monica, CA (US)

(72) Inventors: **John Modestine**, Los Angeles, CA (US); **Mark Siminoff**, Mountain View, CA (US); **Christopher Loew**, Palo Alto, CA (US)

(73) Assignee: **Amazon Technologies, Inc.**, Seattle, WA (US)

(**) Term: **15 Years**

(21) Appl. No.: **29/633,855**

(22) Filed: **Jan. 16, 2018**

Related U.S. Application Data

(63) Continuation of application No. 29/571,957, filed on Jul. 22, 2016, now Pat. No. Des. 812,590.

(51) **LOC (12) Cl.** **14-01**

(52) **U.S. Cl.**
USPC **D14/214; D14/213**

(58) **Field of Classification Search**
USPC D14/167, 168, 170–172, 188, 194–198, D14/204, 207, 209.1, 210–216, 219, 221, D14/222, 224, 496; 181/143, 144, 147, 181/148, 150, 153, 157, 198, 199; 369/6–12; 381/300–303, 306, 332–334, 381/336, 345, 361–364, 386–388
CPC B60R 11/0217; G06F 1/1688; G10K 9/22; G10K 11/004; H03F 1/327; H04M 1/03; H04M 1/035; H04N 5/642; H04N 21/4852; H04S 3/00; H04S 7/30; H04R 1/02; H04R 1/06; H04R 1/021; H04R 1/025; H04R 1/026; H04R 1/028; H04R 1/105; H04R 1/323; H04R 1/403; H04R 1/2803; H04R 1/2834; H04R 5/02; H04R 7/20; H04R 9/06; H04R 9/025; H04R 2201/021; H04R

(Continued)

(56) **References Cited**

U.S. PATENT DOCUMENTS

D100,131 S * 6/1936 Stevens D14/194
2,396,121 A * 3/1946 Patino C10M 3/00
312/244
D150,660 S * 8/1948 Setchell 312/7.1
(Continued)

OTHER PUBLICATIONS

TIVA Concert, RivaAudio.com, [online], [site visited May 22, 2019]. URL: <https://rivaaudio.com/riva-concert/> (Year: 2019).*

(Continued)

Primary Examiner — T Chase Nelson

Assistant Examiner — Jonathan J. Han

(74) *Attorney, Agent, or Firm* — Chong IP Law, LLP

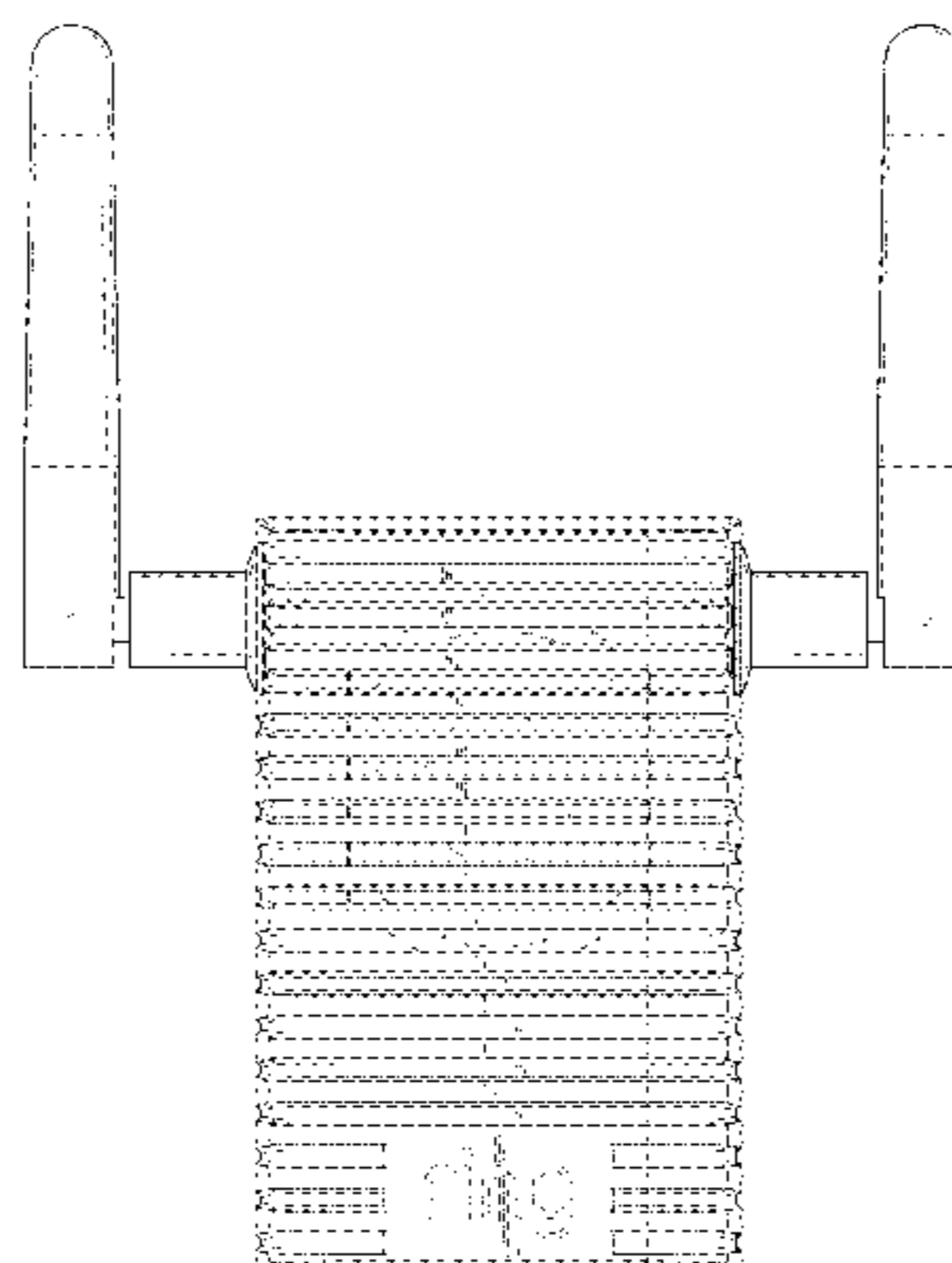
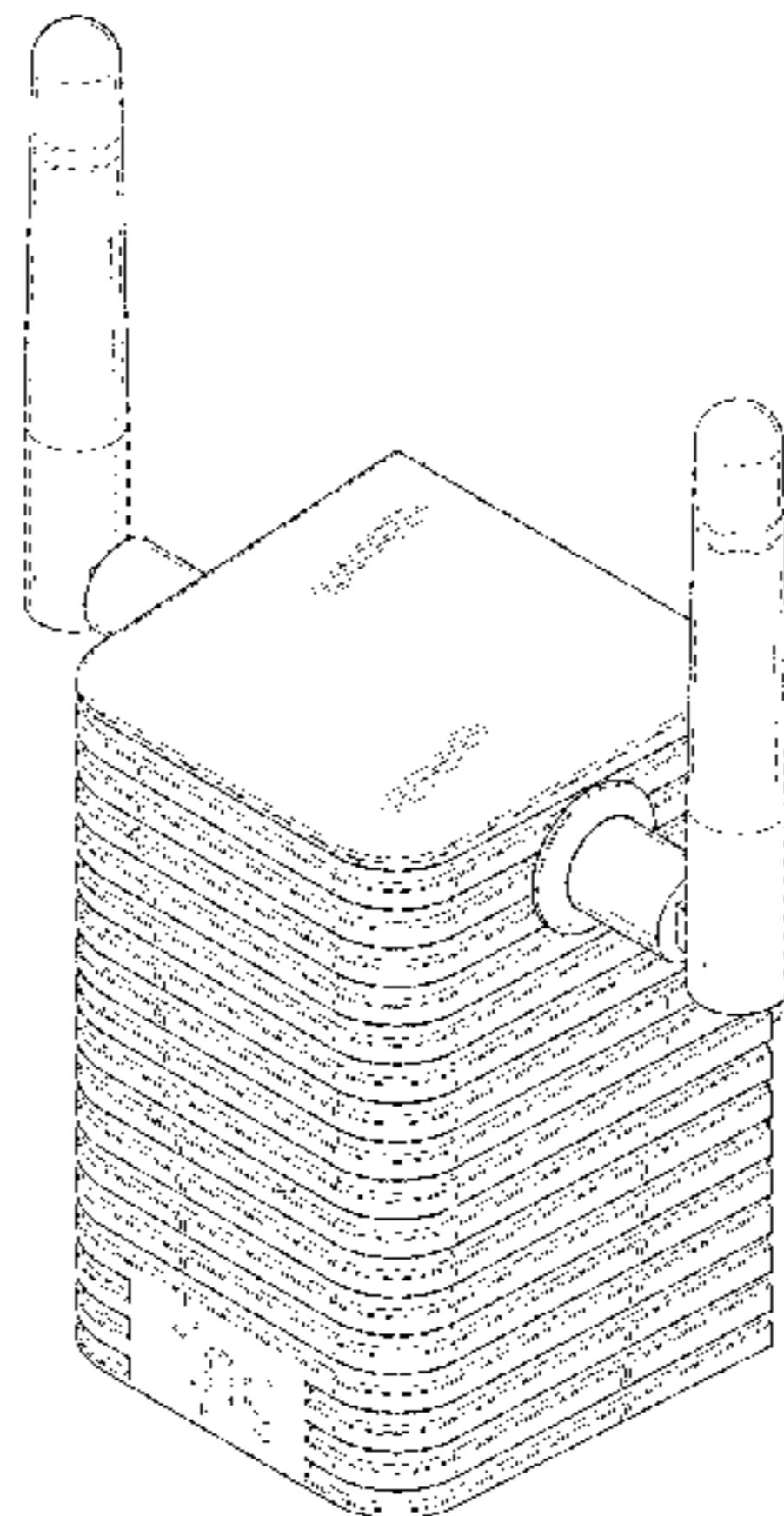
(57) **CLAIM**

The ornamental design for a wireless speaker, as shown and described.

DESCRIPTION

FIG. 1 is a front perspective view of the wireless speaker according to the present design;
FIG. 2 is a front elevational view of the wireless speaker of FIG. 1;
FIG. 3 is a rear elevational view of the wireless speaker of FIG. 1;
FIG. 4 is a right-side elevational view of the wireless speaker of FIG. 1;
FIG. 5 is a left-side elevational view of the wireless speaker of FIG. 1;
FIG. 6 is a top plan view of the wireless speaker of FIG. 1; and,
FIG. 7 is a bottom plan view of the wireless speaker of FIG. 1.
Broken lines, where used, are for illustrative purposes only and form no part of the claimed design.

1 Claim, 7 Drawing Sheets



(58) **Field of Classification Search**
 CPC 2400/00; H04R 2400/07; H04R 2499/11;
 H04R 2499/13; H04R 2499/15
 See application file for complete search history.

(56) **References Cited**

U.S. PATENT DOCUMENTS

D176,481	S	*	12/1955	Petertil	D14/194
D227,120	S	*	6/1973	Schneider	D14/212
D251,556	S	*	4/1979	Kadota	369/11
D305,024	S	*	12/1989	Nishiyori	D14/131
D384,354	S	*	9/1997	Weissberg	D14/214
D409,199	S	*	5/1999	Taguchi	D14/217
D428,612	S	*	7/2000	Scorrano	D14/194
D473,209	S	*	4/2003	Solland	D14/188
D546,813	S	*	7/2007	Lewis	D14/168
D556,190	S	*	11/2007	Liu	D14/240
D587,708	S	*	3/2009	Yoshida	D14/358
D589,029	S	*	3/2009	Lee	D14/207
D610,133	S	*	2/2010	Asano	D14/240
D640,692	S	*	6/2011	Waisman-Diamond	D14/240
D644,627	S	*	9/2011	Garrett	D14/214
D674,778	S	*	1/2013	Skurdal	D14/214
D692,859	S	*	11/2013	Ohashi	D14/214
D704,075	S	*	5/2014	Holzer	D10/2
D737,803	S	*	9/2015	Carbone	D14/214
D753,628	S	*	4/2016	McManigal	D14/214

D754,630	S	*	4/2016	Paterson	D14/204
D758,342	S	*	6/2016	Carbone	D14/214
D762,193	S	*	7/2016	Petersen	D14/215
9,386,368	B2	*	7/2016	Johansen	H04R 1/326
D767,533	S	*	9/2016	Mchatet	D14/214
D784,939	S	*	4/2017	Luo	D14/125
D812,590	S	*	3/2018	Modestine	D14/214
D837,182	S	*	1/2019	Elmieh	D14/204

OTHER PUBLICATIONS

Big Blue Party Indoor-Outdoor Bluetooth Speaker, Brookstone.com, [online], [site visited May 22, 2019]. URL: <https://www.brookstone.com/pd/big-blue-party-indoor-outdoor-bluetooth-speaker/849504p.html> (Year: 2019).*

Wifi Router Wireless 802.11 b/g/n Mini Router Wifi Extender 300Mbps Wi-fi Repeater WPS Encryption Range Expander Signal Booster, AliExpress.com, [online], [site visited May 22, 2019]. URL: <https://www.aliexpress.com/item/Wifi-Router-Wireless-802-11-b-g-n-Mini-Router-Wifi-Extender-300Mbps> (Year: 2019).*

Ritron LM-V150 Loudmouth Wireless PA System, HiTechWireless.com, [online], [site visited May 22, 2019]. URL: https://www.hitechwireless.com/ritron-lm-v150-loudmouth-wireless-pa-system/?gclid=EAla1QobChMI6_mUjaCw4gIVFo3ICh0NigvQEAQYByABEgJNWvD_BwE (Year: 2019).*

* cited by examiner

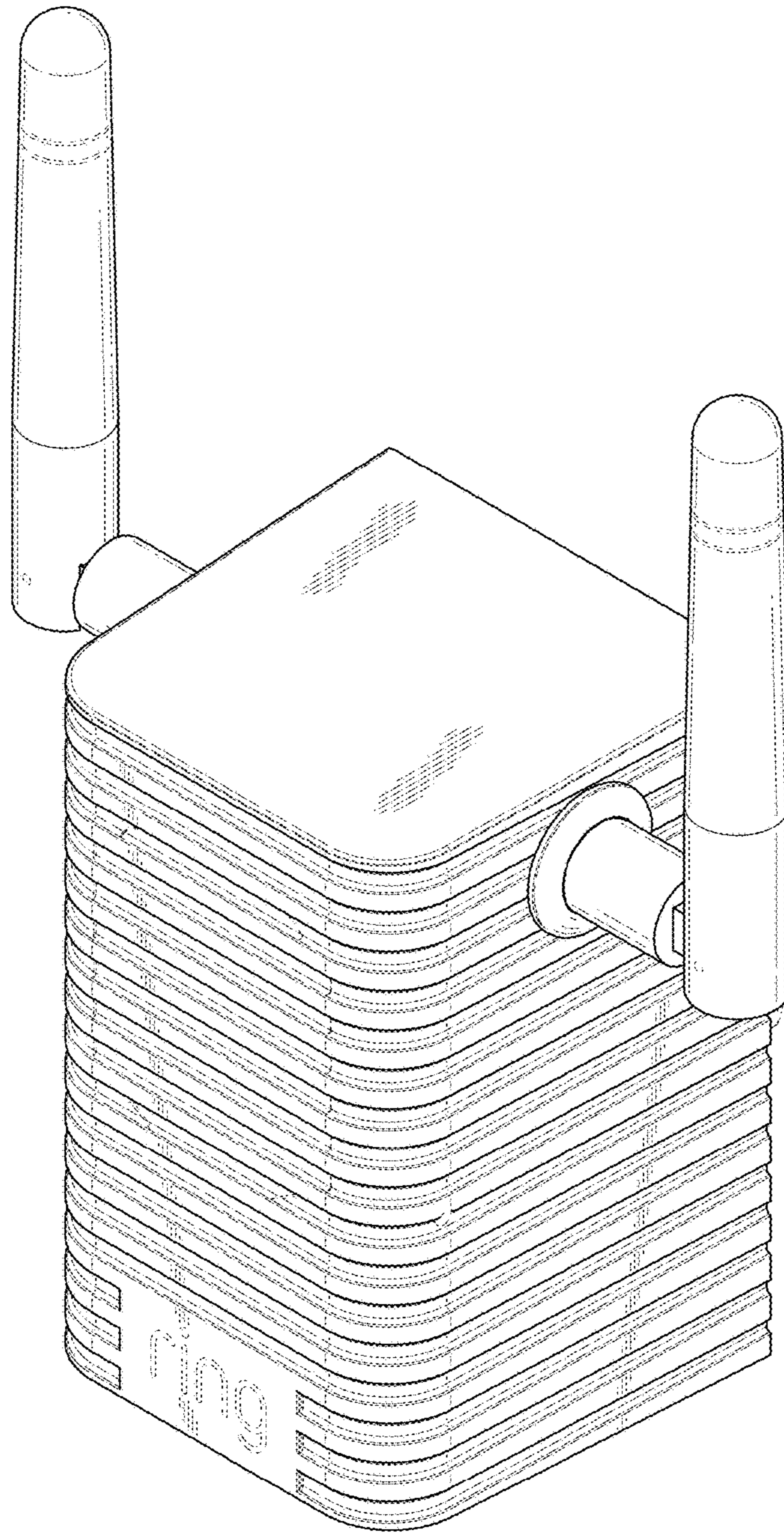


FIG. 1

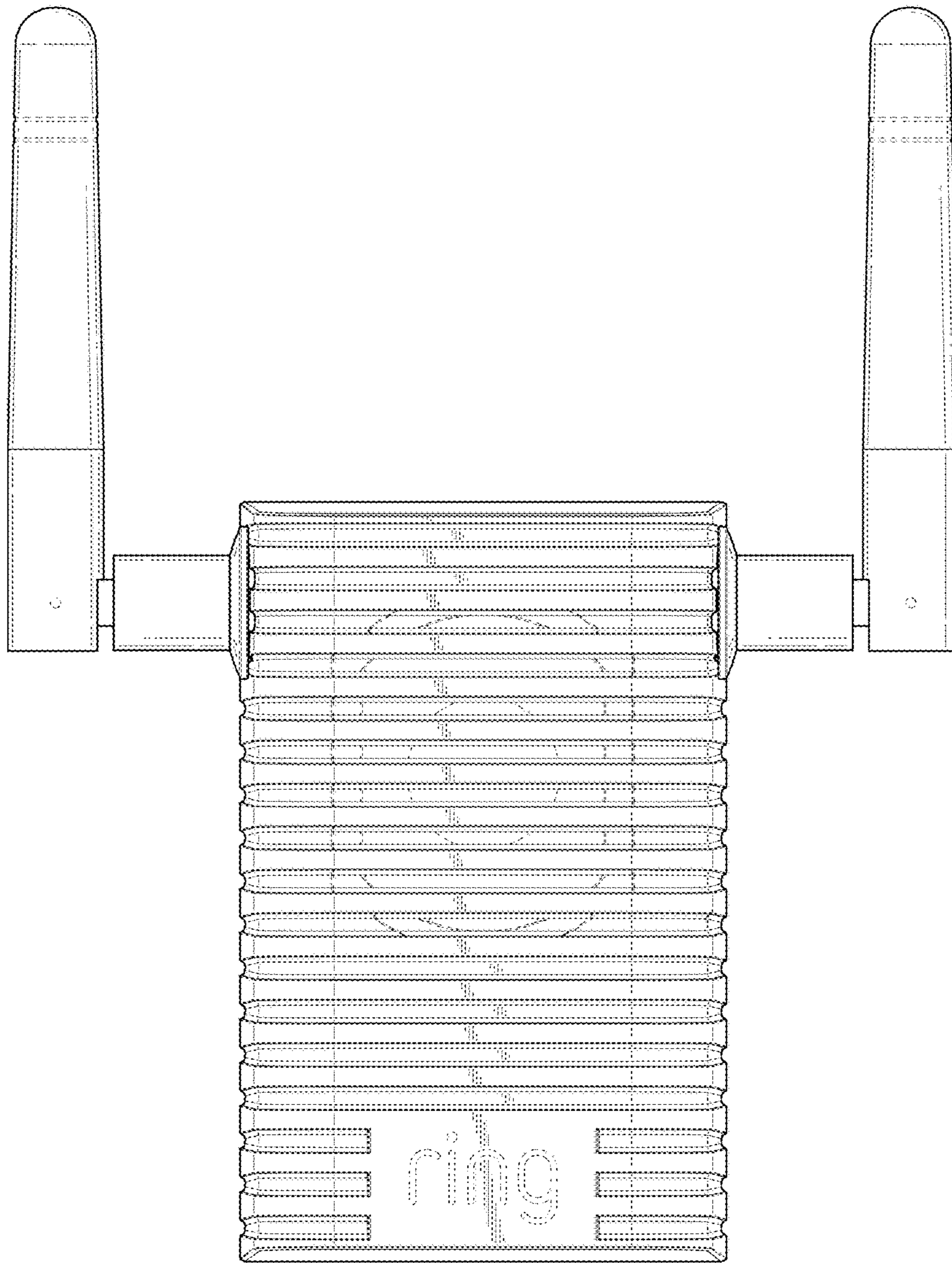


FIG. 2

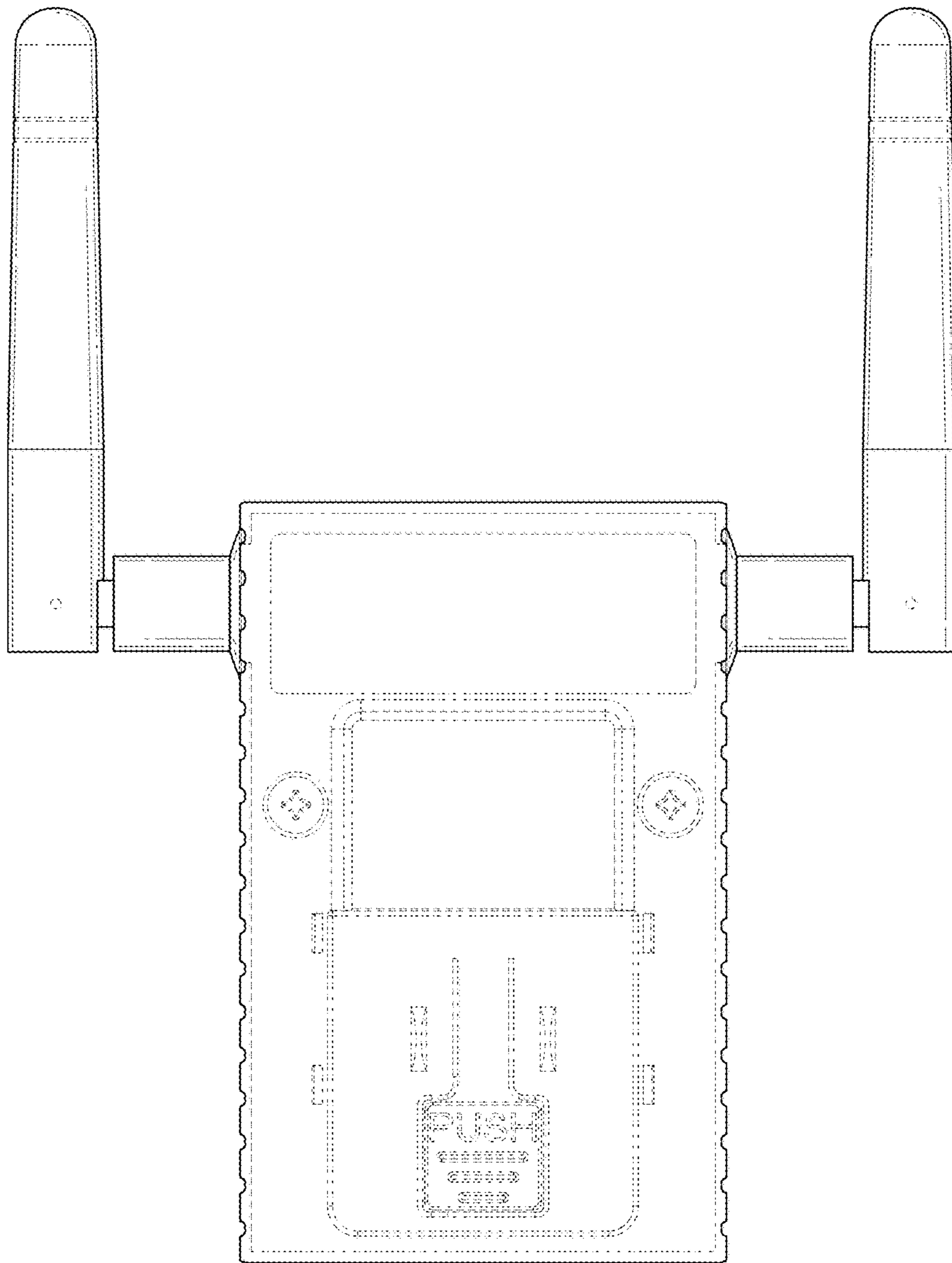


FIG. 3

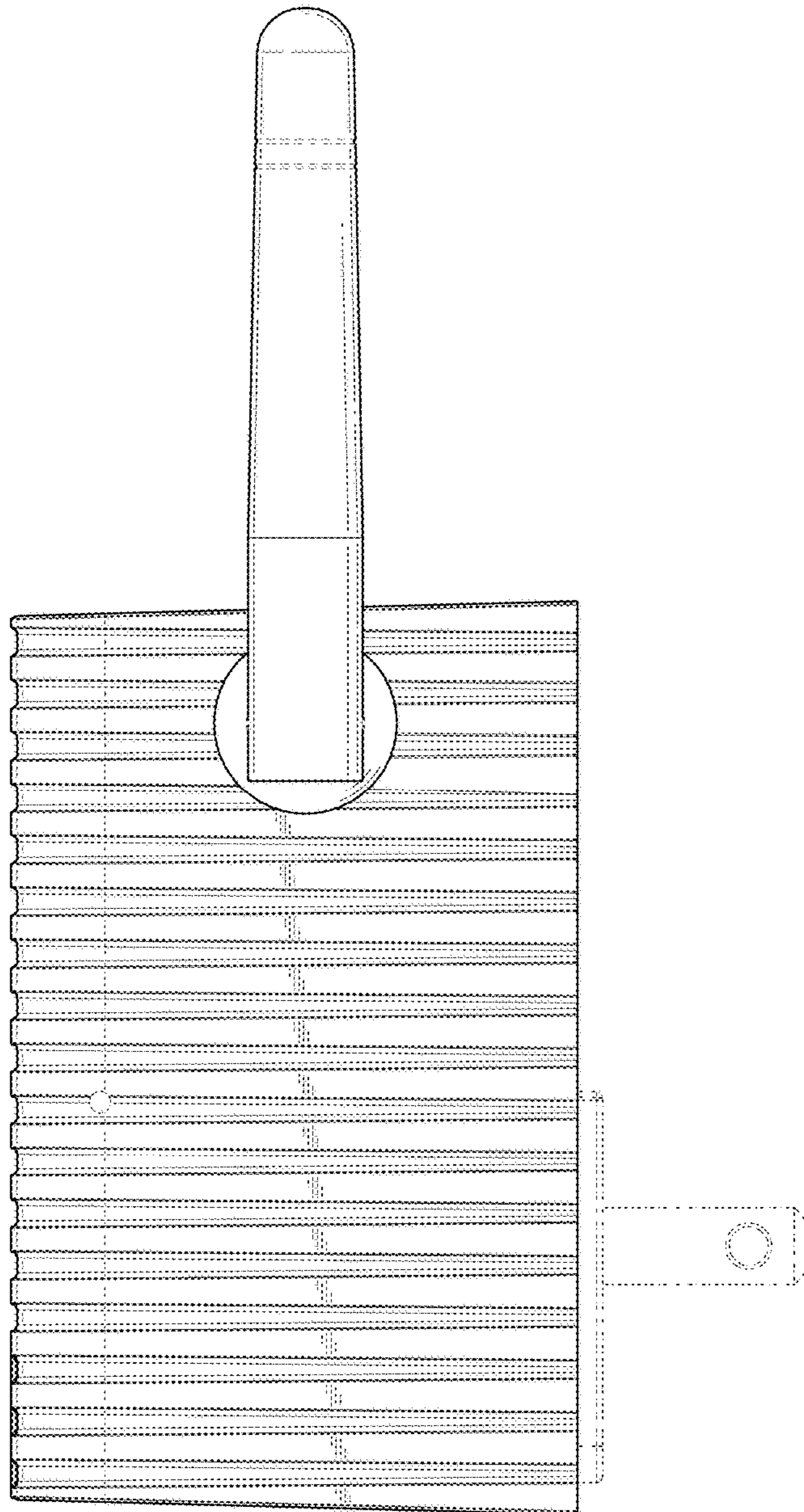


FIG. 4

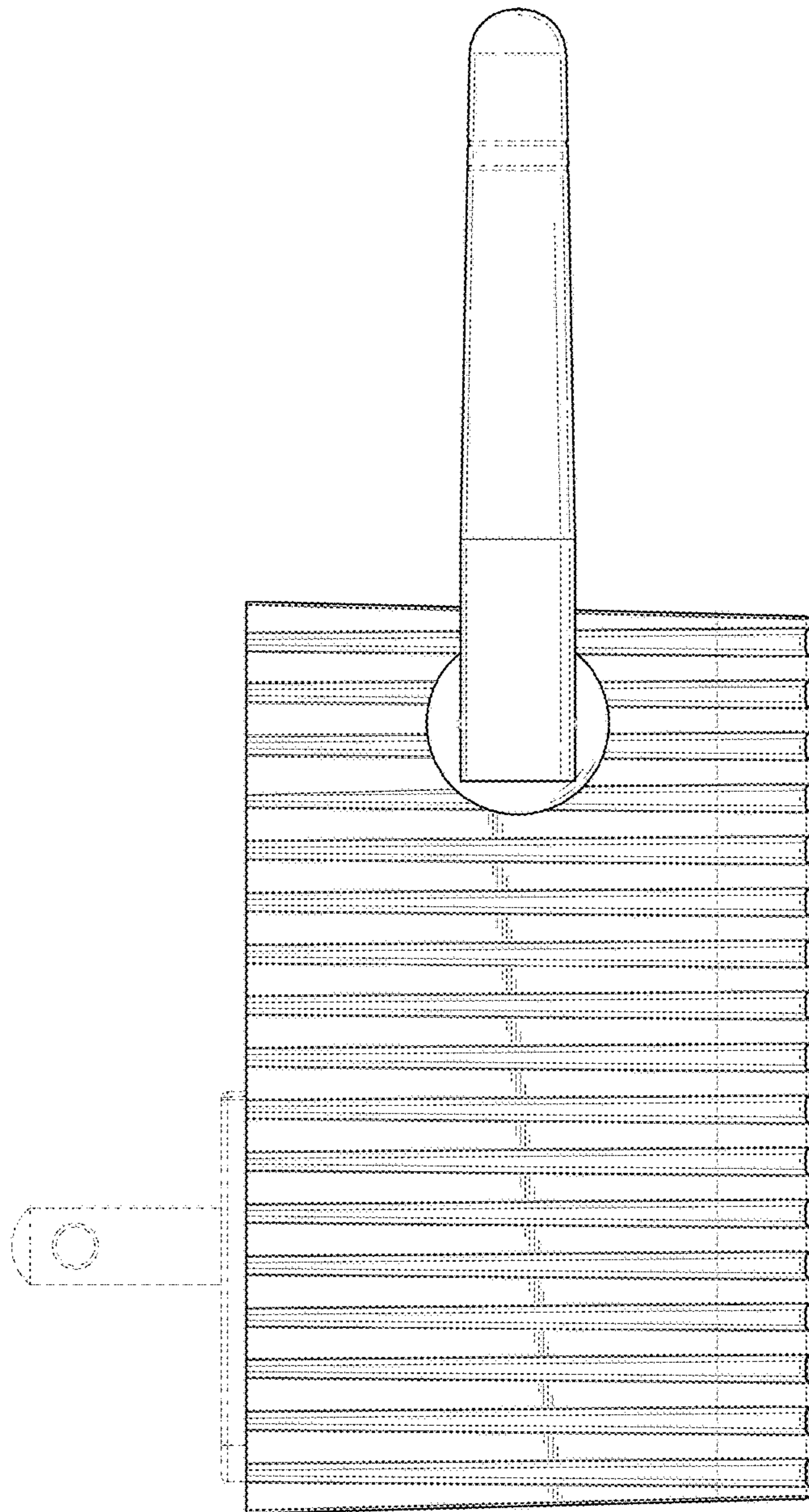


FIG. 5

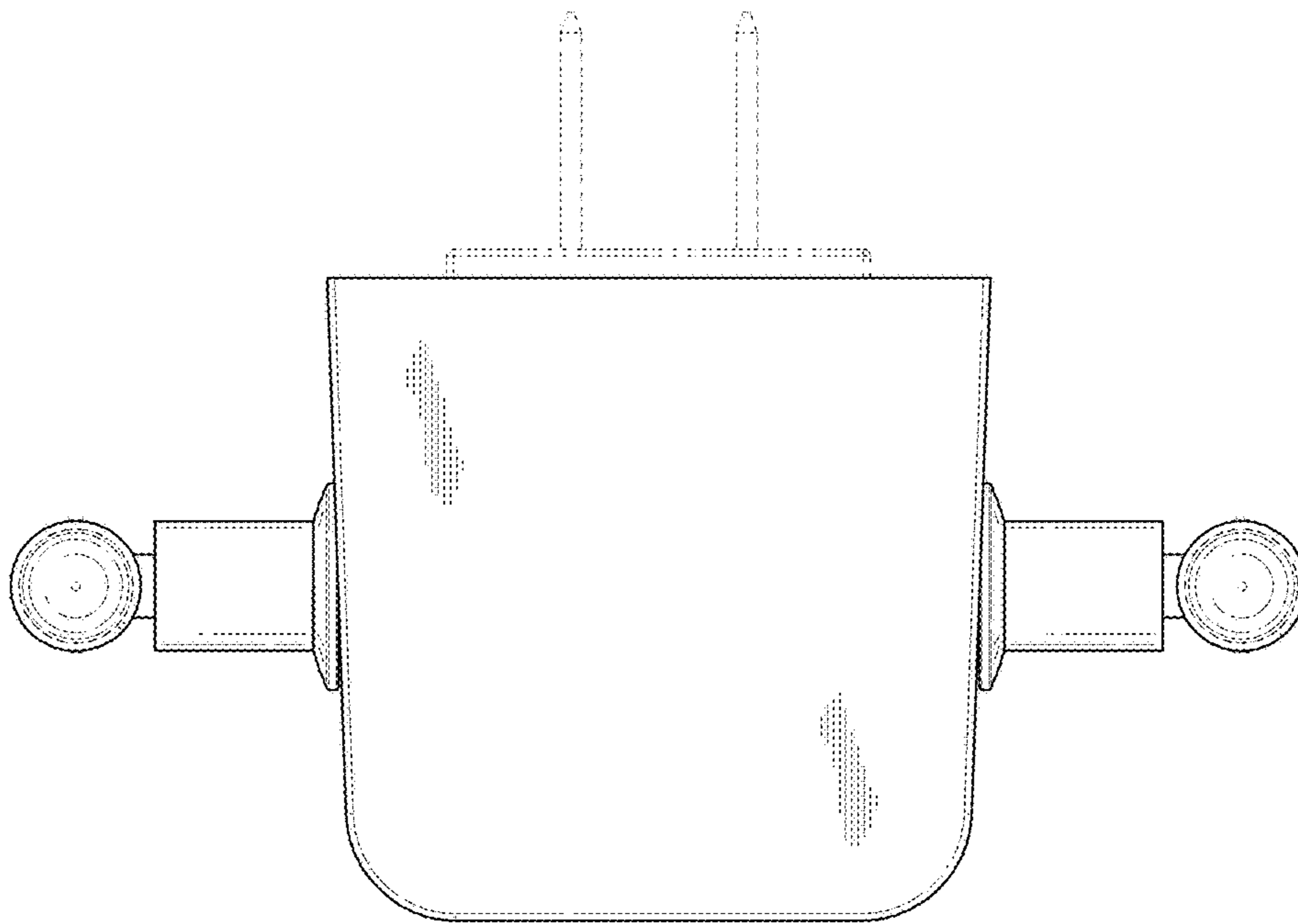


FIG. 6

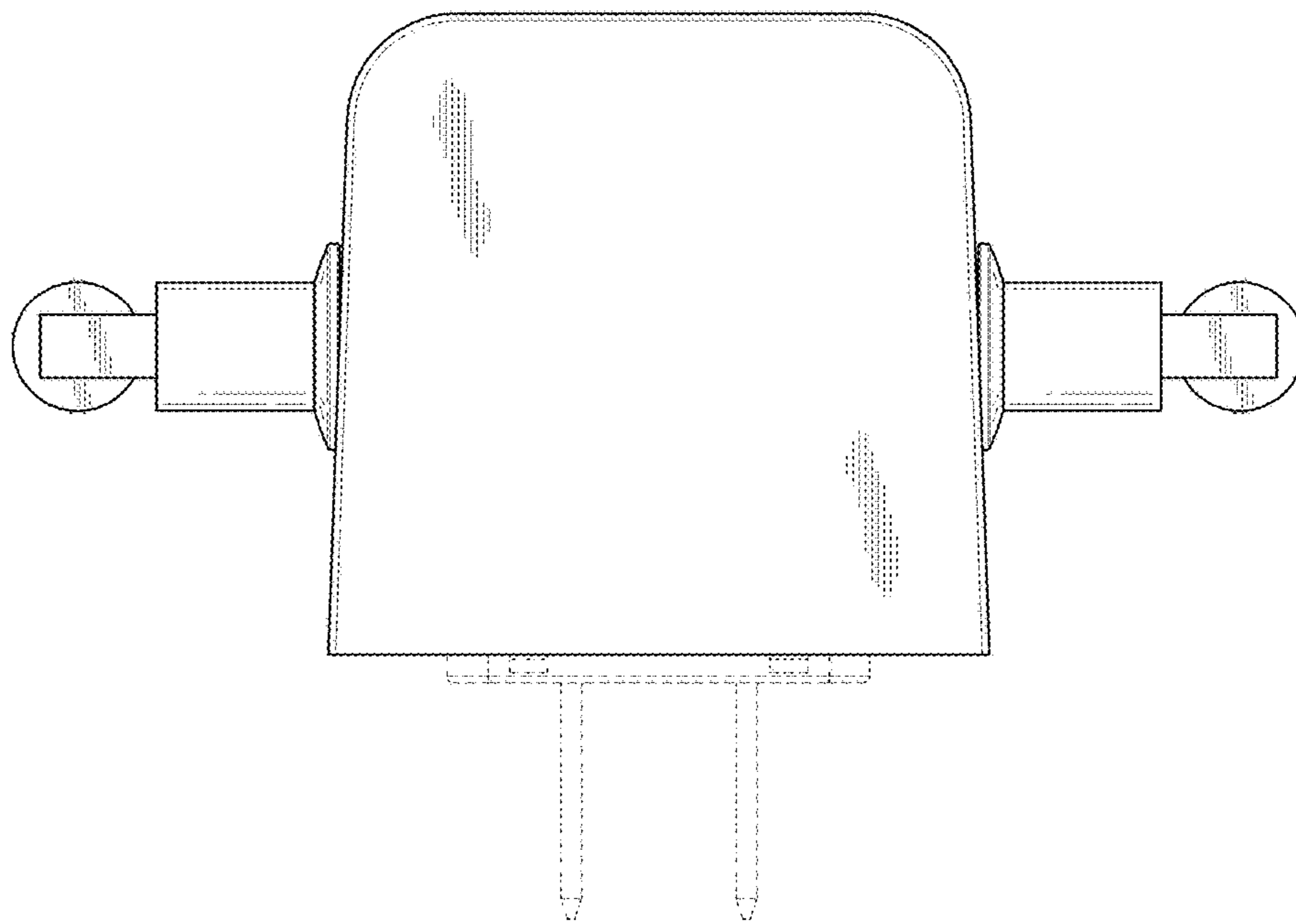


FIG. 7