

US00D864159S

(12) **United States Design Patent** (10) **Patent No.:** **US D864,159 S**
Ding (45) **Date of Patent:** **** Oct. 22, 2019**

(54) **INTELLIGENT CONFERENCE TERMINAL**

(71) Applicant: **Fan Ding**, Shenzhen (CN)

(72) Inventor: **Fan Ding**, Shenzhen (CN)

(**) Term: **15 Years**

(21) Appl. No.: **29/616,925**

(22) Filed: **Sep. 11, 2017**

(51) **LOC (12) Cl.** **14-01**

(52) **U.S. Cl.**
USPC **D14/211; D14/212**

(58) **Field of Classification Search**

USPC D14/140, 142, 144, 149–151, 159, 188,
D14/225, 226, 240, 243, 329, 330, 434,
D14/496, 204, 209.1; 379/88.17, 90.01,
379/93.17, 387.01, 388.02, 419, 420.02,
379/420.04, 428.01, 434–443, 446, 447,
379/454, 455, 362; 381/16, 71.1, 71.7,
381/74, 75, 97, 150; 181/143, 144;
455/411, 550.1, 90.3; D13/107, 108, 168;
348/14.01–14.06; D21/517
CPC . H04R 25/00; H04R 3/00; H04R 1/02; H04R
2420/07; H04R 1/28

See application file for complete search history.

(56) **References Cited**

U.S. PATENT DOCUMENTS

D342,732 S * 12/1993 Hinman D14/150
D382,266 S * 8/1997 Wakefield D14/150
D403,328 S * 12/1998 Wakefield D14/229
D411,995 S * 7/1999 Chen D14/150
D439,538 S * 3/2001 Lynch D10/106.2
D449,285 S * 10/2001 Wakefield D14/150
D449,286 S * 10/2001 Wakefield D14/150
D457,150 S * 5/2002 Chen D14/150
D473,546 S * 4/2003 Hovanky D14/217
D478,560 S * 8/2003 Misrahi D14/150
D480,059 S * 9/2003 Misrahi D14/150
D481,371 S * 10/2003 Chen D14/150
D487,076 S * 2/2004 Nakane D14/216

D488,794 S * 4/2004 Chen D14/150
D491,909 S * 6/2004 Sun D14/150
D499,392 S * 12/2004 Bathurst D14/150
D556,179 S * 11/2007 Chang D14/150
D557,676 S * 12/2007 Suzuki D14/149
D571,776 S * 6/2008 Duys D14/150
D586,743 S * 2/2009 Guccione D13/107
D620,916 S * 8/2010 Wada D14/149
D635,955 S * 4/2011 Corrigan D14/149

(Continued)

FOREIGN PATENT DOCUMENTS

CN 206260036 * 6/2017 H04N 7/14
CN 207022112 * 2/2018 H04N 7/15

OTHER PUBLICATIONS

Polycom Real Presence Trio 8800—conference VoIP phone—
Bluetooth interfac, CDW.com, [online], [site visited Jun. 12, 2019].
URL:https://www.cdw.com/product/Polycom-RealPresence-Trio-
8800-conference-VoIP-phone-Bluetooth-interfac/3870889?cm_cat=
google&cm_ite=3870889&cm_pla=NA-NA-Polycom (Year: 2019).*

(Continued)

Primary Examiner — T Chase Nelson
Assistant Examiner — Jonathan J. Han

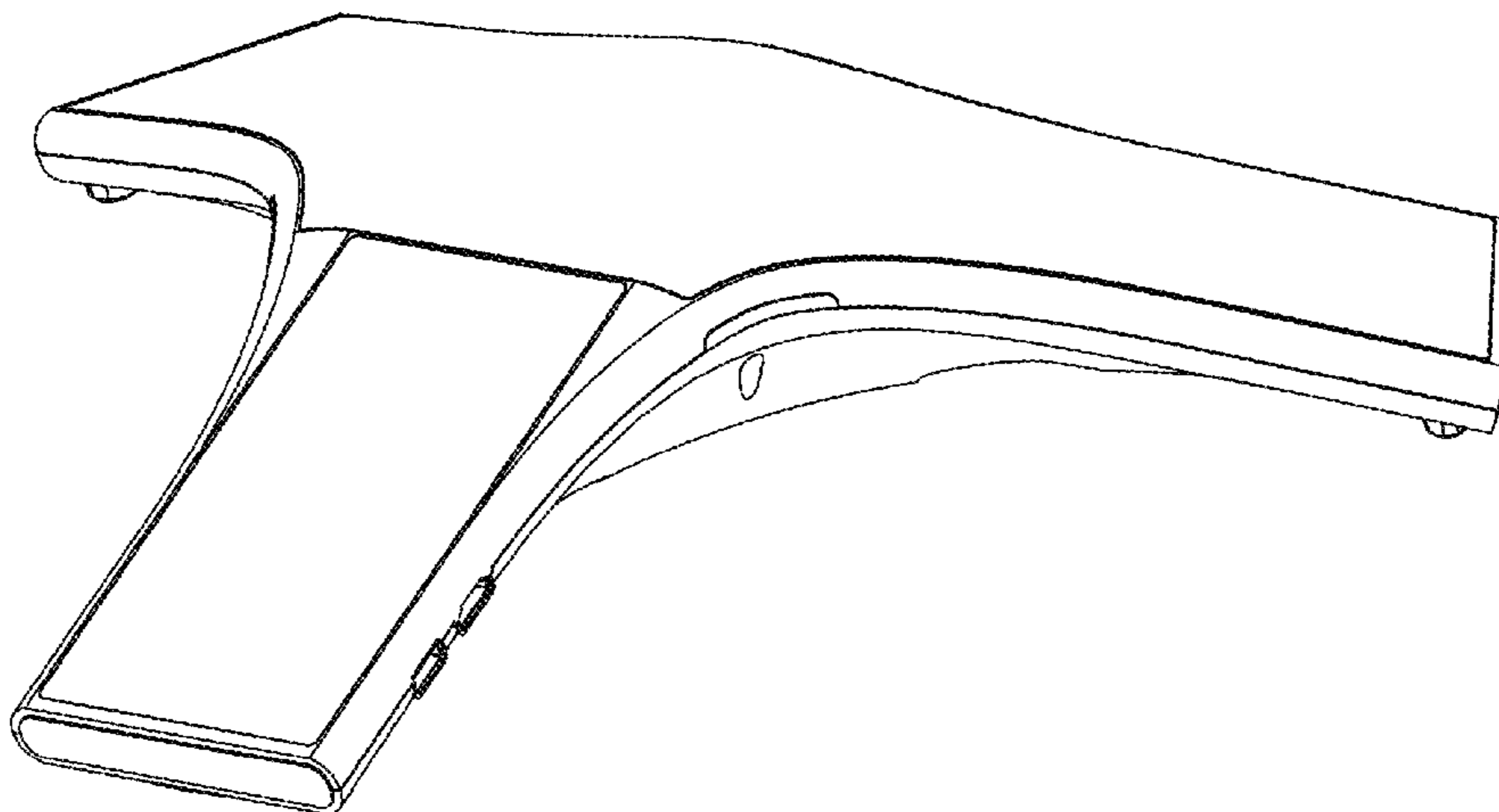
(57) **CLAIM**

The ornamental design for an intelligent conference terminal, as shown.

DESCRIPTION

FIG. 1 is a front elevational view of an intelligent conference terminal showing my new design; FIG. 2 is a rear elevational view thereof; FIG. 3 is a left side view thereof; FIG. 4 is a right side view thereof; FIG. 5 is a top plan view thereof; FIG. 6 is a bottom plan view thereof; and, FIG. 7 is a perspective view thereof.

1 Claim, 3 Drawing Sheets



(56)

References Cited

U.S. PATENT DOCUMENTS

D640,227	S	*	6/2011	Wada	D14/149
D685,755	S	*	7/2013	Shin	D14/142
D714,258	S	*	9/2014	Montague	D14/221
D760,201	S	*	6/2016	Tompkin	H04M 1/02 D14/221
D794,598	S	*	8/2017	Clerc	D14/150
D832,262	S	*	10/2018	Kato	D14/433
D834,565	S	*	11/2018	Sarrasin	D14/227
2003/0053620	A1	*	3/2003	Chen	H04M 1/02 379/447

OTHER PUBLICATIONS

ErisStation Conference Phone with Two Wireless Mics, VtechPhones.com, [online], [site visited Jun. 12, 2019]. URL: <https://www.vtechphones.com/store/pd/3416/VCS702-ErisStation-Conference-Phone-with-Two-Wireless-Mics> (Year: 2019).*

Avaya 4690 IP Conference Speakerphone 700411168 Refurbished, Fonesys.com, [online], [site visited Jun. 12, 2019]. URL: https://www.fonesys.com/Avaya-4690-IP-Conference-Speakerphone-700411168-Refurbished_p_64.html (Year: 2019).*

MVOICE 5000 USB Conference Speakerphone, 323link.com, [online], [site visited Jun. 12, 2019]. URL: <https://www.323link.com/product-page/mvoice-5000-usb-conference-speakerphone-1> (Year: 2019).*

Polycom Soundstation Connect: Polycom Has No Intention of Rolling Over to Other USB Speaker Phone Vendors, Windowspbx.blogspot.com, By Matt Landis on Mar. 5, 2013 10:58:00 PM, [online], [site visited Jun. 12, 2019]. URL: <http://windowspbx.blogspot.com/2013/03/polycom-soundstation-connect-polycom.html> (Year: 2013).*

* cited by examiner

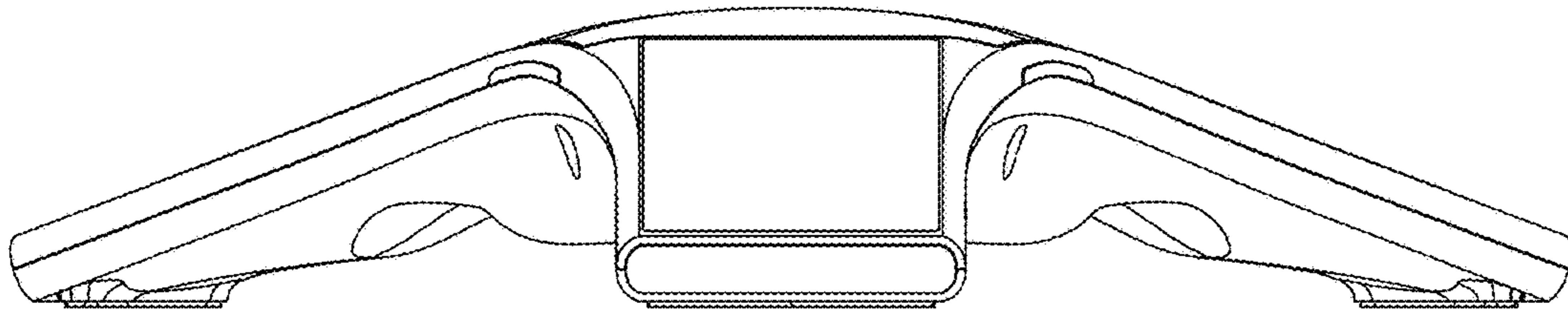


FIG. 1

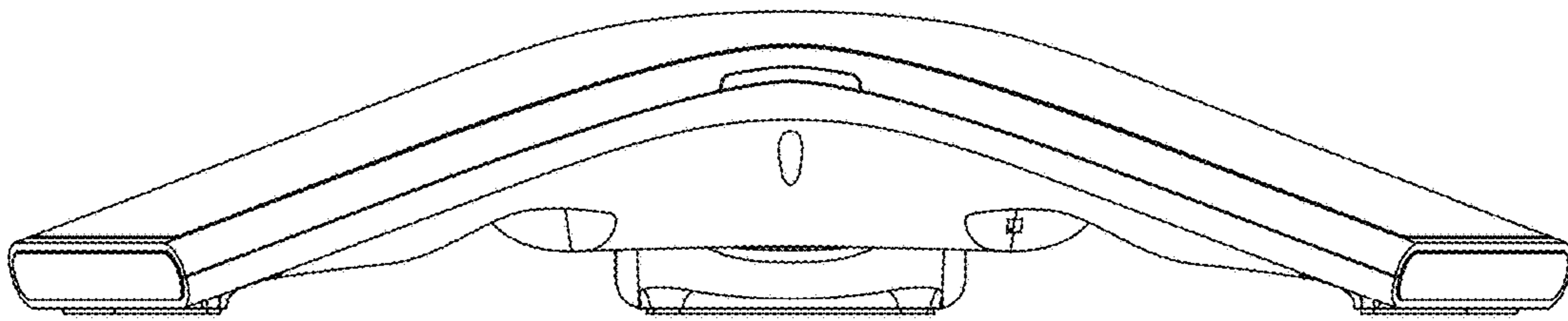


FIG. 2

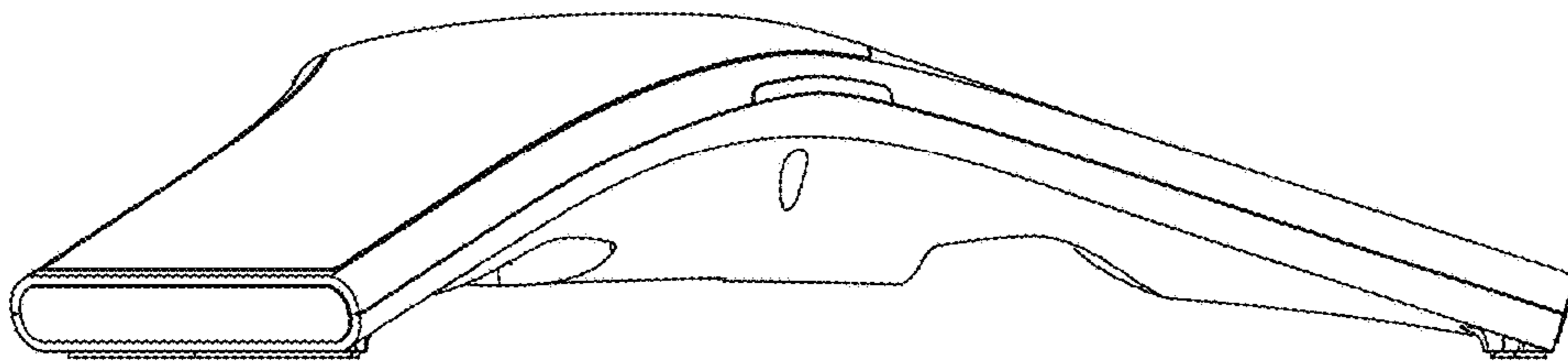


FIG. 3

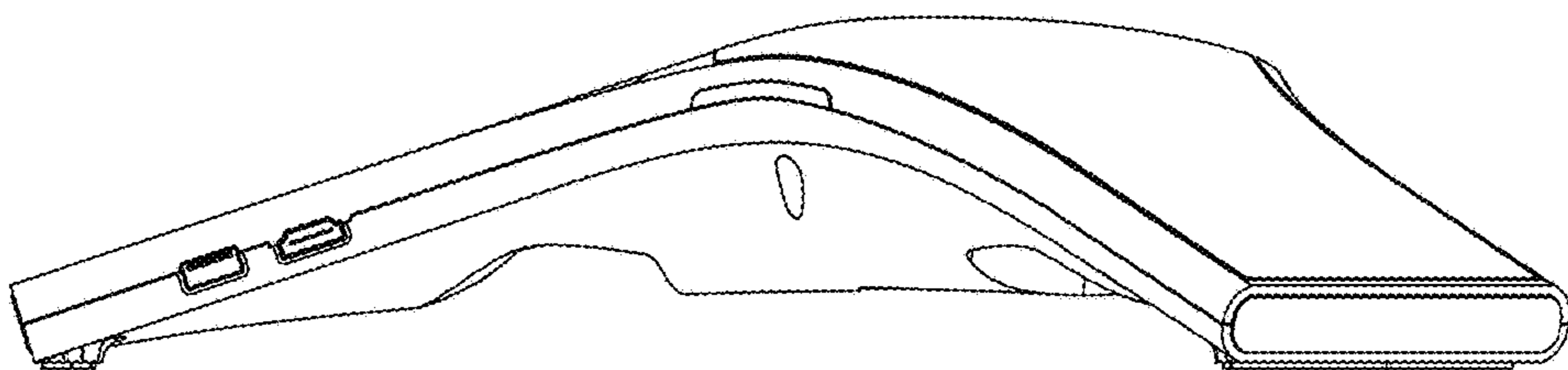


FIG. 4

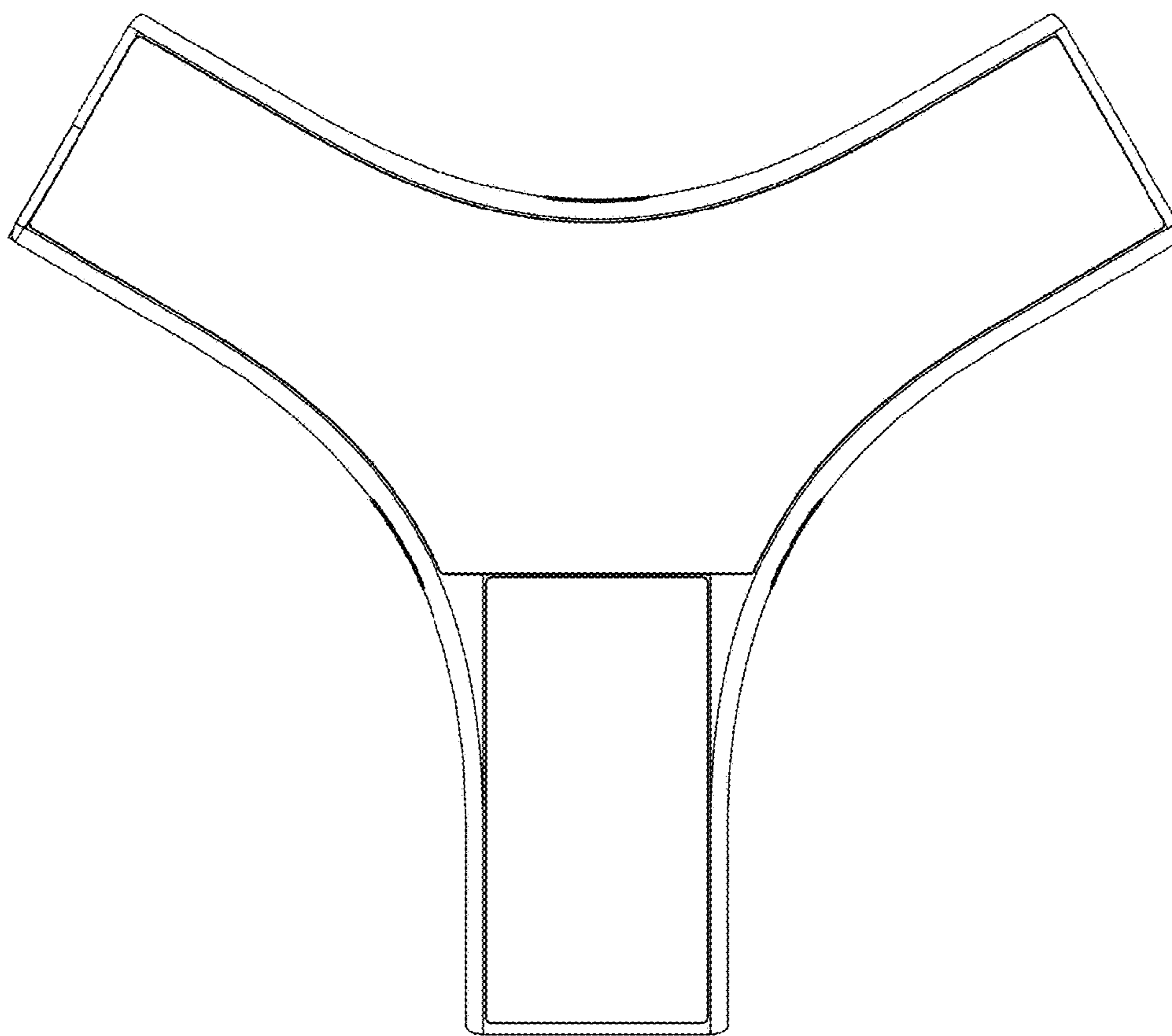


FIG. 5

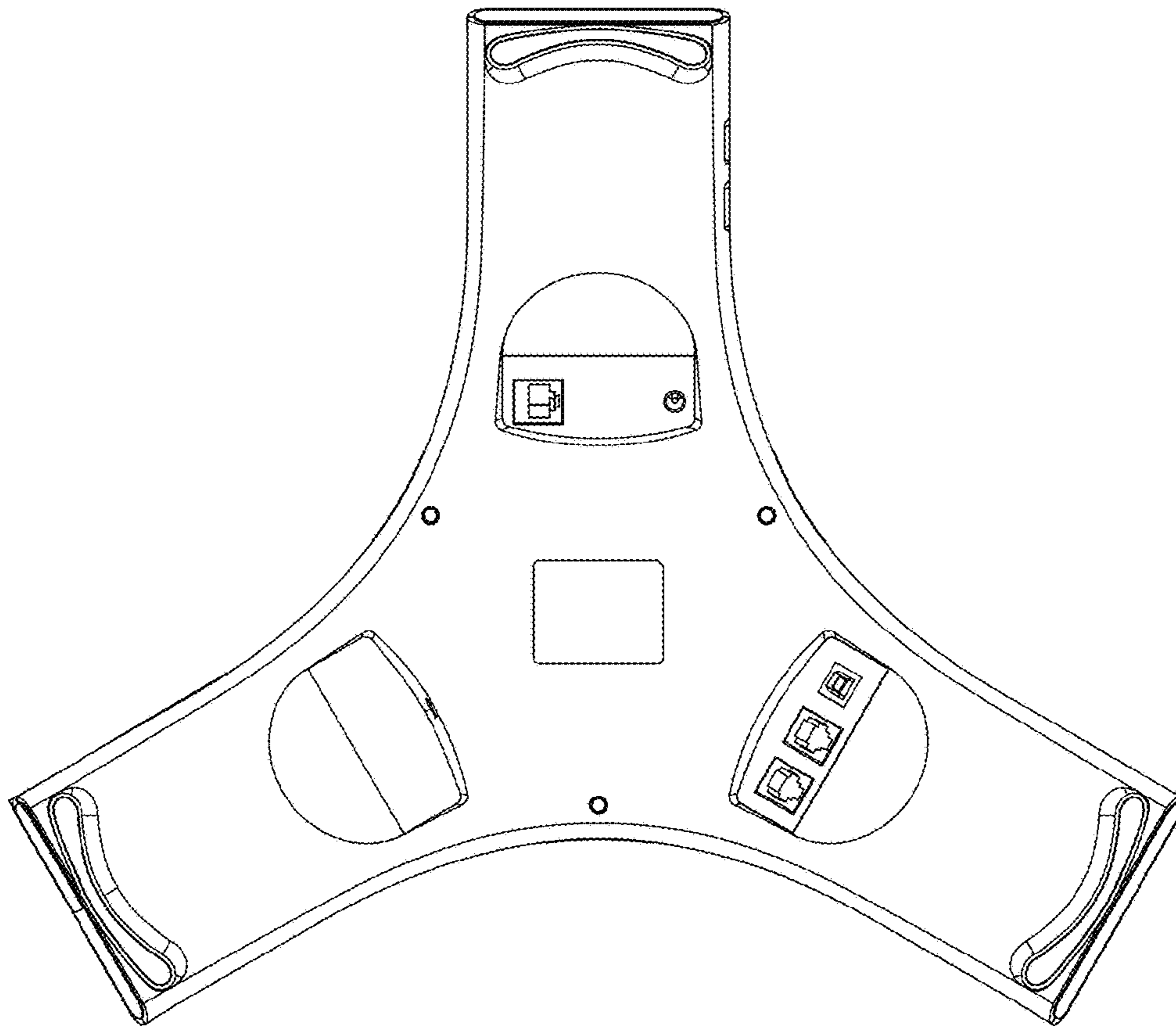


FIG. 6

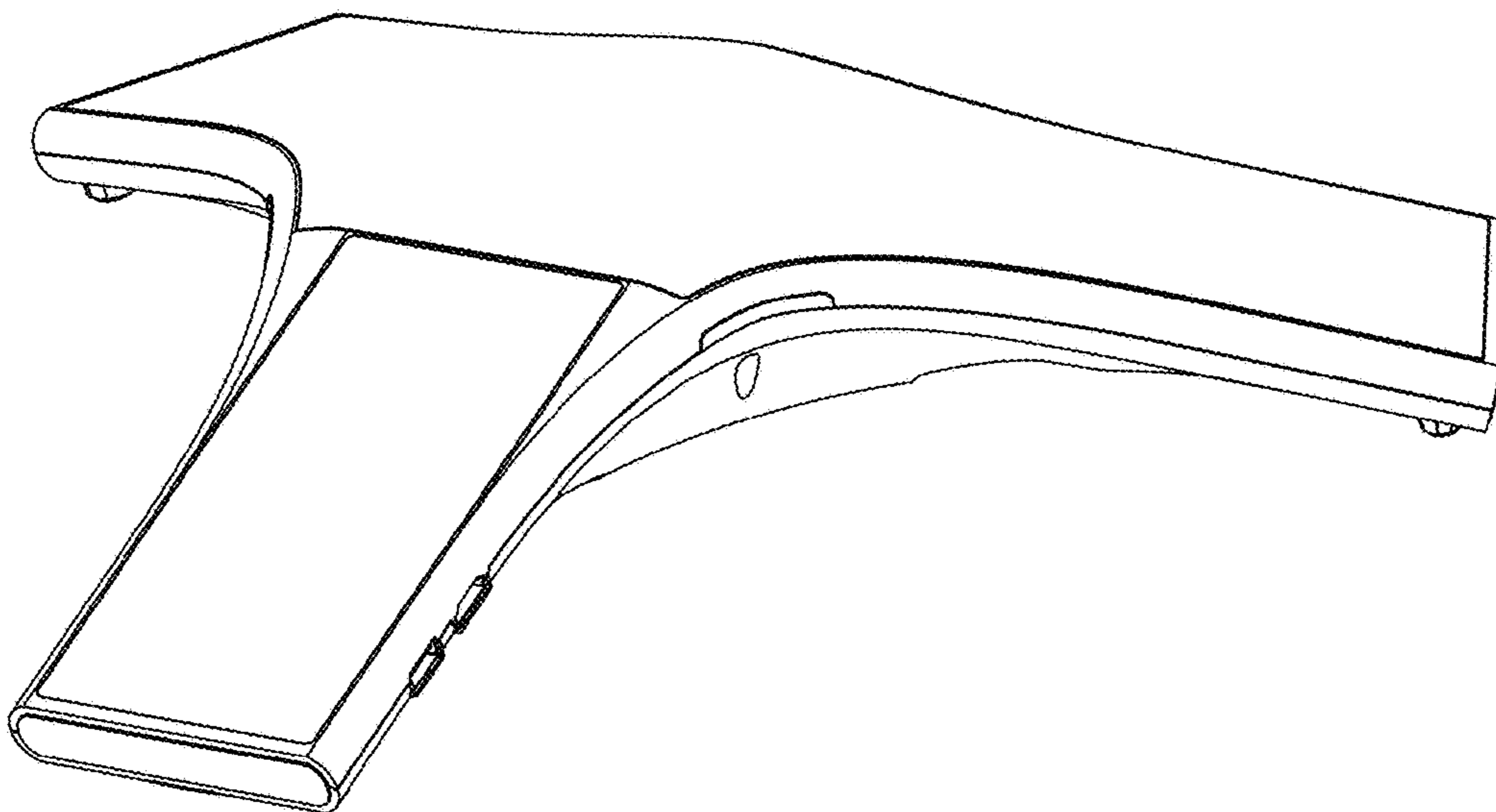


FIG. 7