



US00D864156S

(12) **United States Design Patent**  
**Liu**

(10) **Patent No.:** **US D864,156 S**

(45) **Date of Patent:** **\*\* Oct. 22, 2019**

(54) **GAMING HEADSET**

(71) Applicant: **Hanbing Liu**, Dongguan (CN)

(72) Inventor: **Hanbing Liu**, Dongguan (CN)

(\*\*) Term: **15 Years**

(21) Appl. No.: **29/635,223**

(22) Filed: **Jan. 29, 2018**

(51) **LOC (12) Cl.** ..... **14-01**

(52) **U.S. Cl.**  
USPC ..... **D14/206; D14/226**

(58) **Field of Classification Search**  
USPC ..... D14/206, 372, 205, 188, 192, 225, 226,  
D14/228; D29/112; 2/209; 181/129,  
181/130, 135; 379/430, 431; 381/380,  
381/381, 374; 345/7, 8; 455/90.3, 575.1,  
455/569.1

CPC ..... H04R 25/00; H04R 1/10; H04R 1/1066;  
H04R 1/1016; H04R 5/033; H04R  
5/0335; G09G 5/00

See application file for complete search history.

(56) **References Cited**

**U.S. PATENT DOCUMENTS**

- 2,149,341 A \* 3/1939 Harrison ..... H04R 1/1066  
248/274.1
- 3,505,684 A \* 4/1970 Hutchinson ..... A61F 11/14  
2/209
- 3,562,816 A \* 2/1971 Hutchinson ..... A61F 11/14  
2/209
- 3,781,492 A \* 12/1973 Cragg ..... H04R 1/08  
379/430
- D233,444 S \* 10/1974 Christian ..... D14/206
- D246,519 S \* 11/1977 Kato ..... D14/205
- D254,183 S \* 2/1980 Doodson ..... D14/205
- 4,471,496 A \* 9/1984 Gardner, Jr. .... A61F 11/14  
2/209

- D345,163 S \* 3/1994 Yamatogi ..... D14/205
- 5,406,037 A \* 4/1995 Nageno ..... H04R 5/0335  
181/129
- 5,551,090 A \* 9/1996 Thompson ..... A61F 11/08  
128/866
- D377,116 S \* 1/1997 Shimura ..... D3/213
- 5,793,878 A \* 8/1998 Chang ..... H04R 5/0335  
381/370
- D410,466 S \* 6/1999 Mouri ..... D14/205
- D420,356 S \* 2/2000 Suzuki ..... D14/205
- D435,249 S \* 12/2000 Yasutomi ..... D14/205
- D445,416 S \* 7/2001 Glezerman ..... D14/206
- D457,512 S \* 5/2002 Yoneda ..... D14/205
- 6,560,346 B2 \* 5/2003 Ohta ..... H04R 1/083  
381/370
- 6,625,293 B1 \* 9/2003 Nageno ..... H04R 1/08  
181/20
- D481,375 S \* 10/2003 Suzuki ..... D14/206
- D488,146 S \* 4/2004 Minto ..... D14/206
- 6,724,906 B2 \* 4/2004 Naksen ..... H04R 1/1066  
381/370
- D563,382 S \* 3/2008 Wikel ..... D14/205
- D567,215 S \* 4/2008 Lee ..... D14/205

(Continued)

*Primary Examiner* — Paula Allen Greene

(74) *Attorney, Agent, or Firm* — Gokalp Bayramoglu

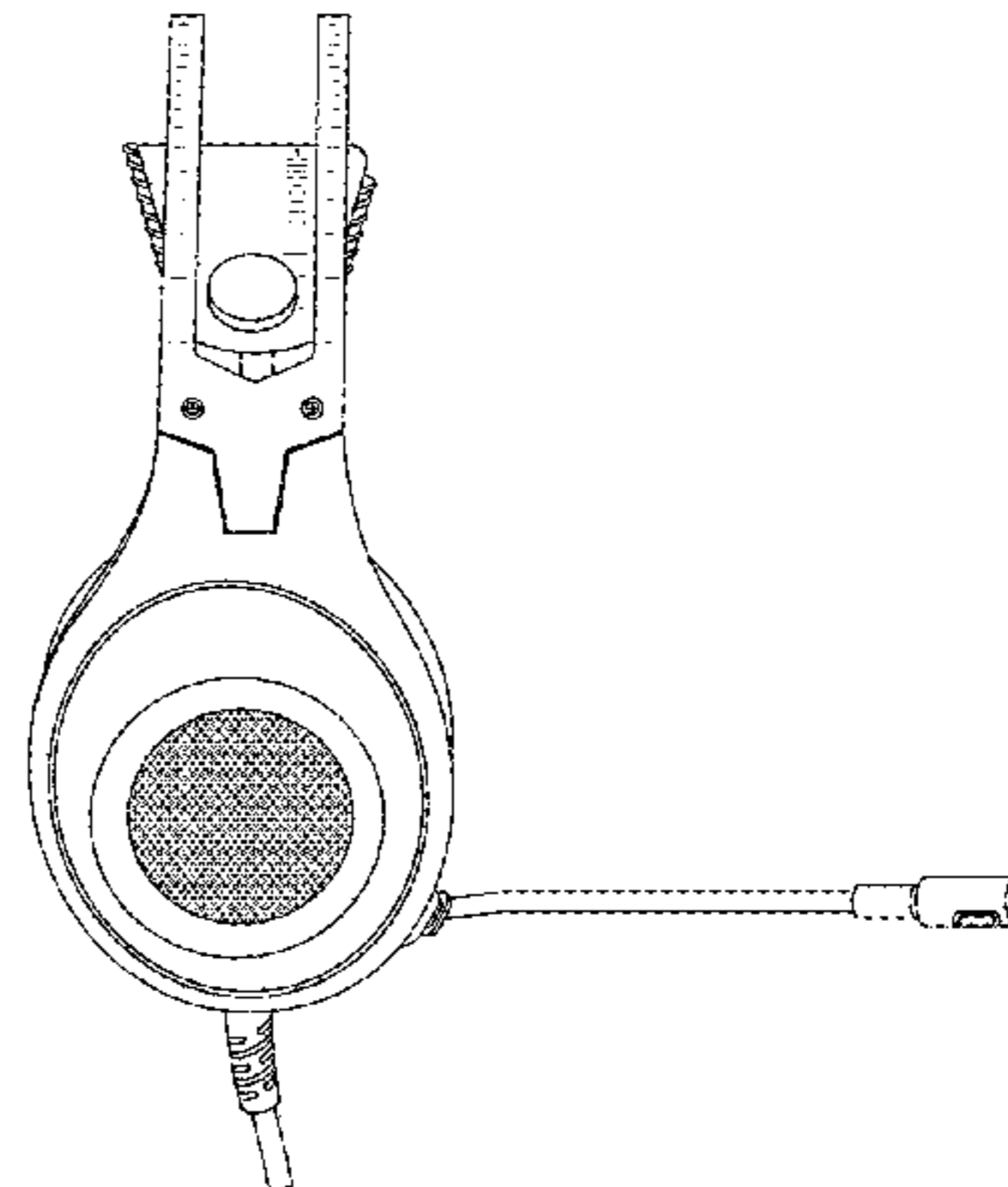
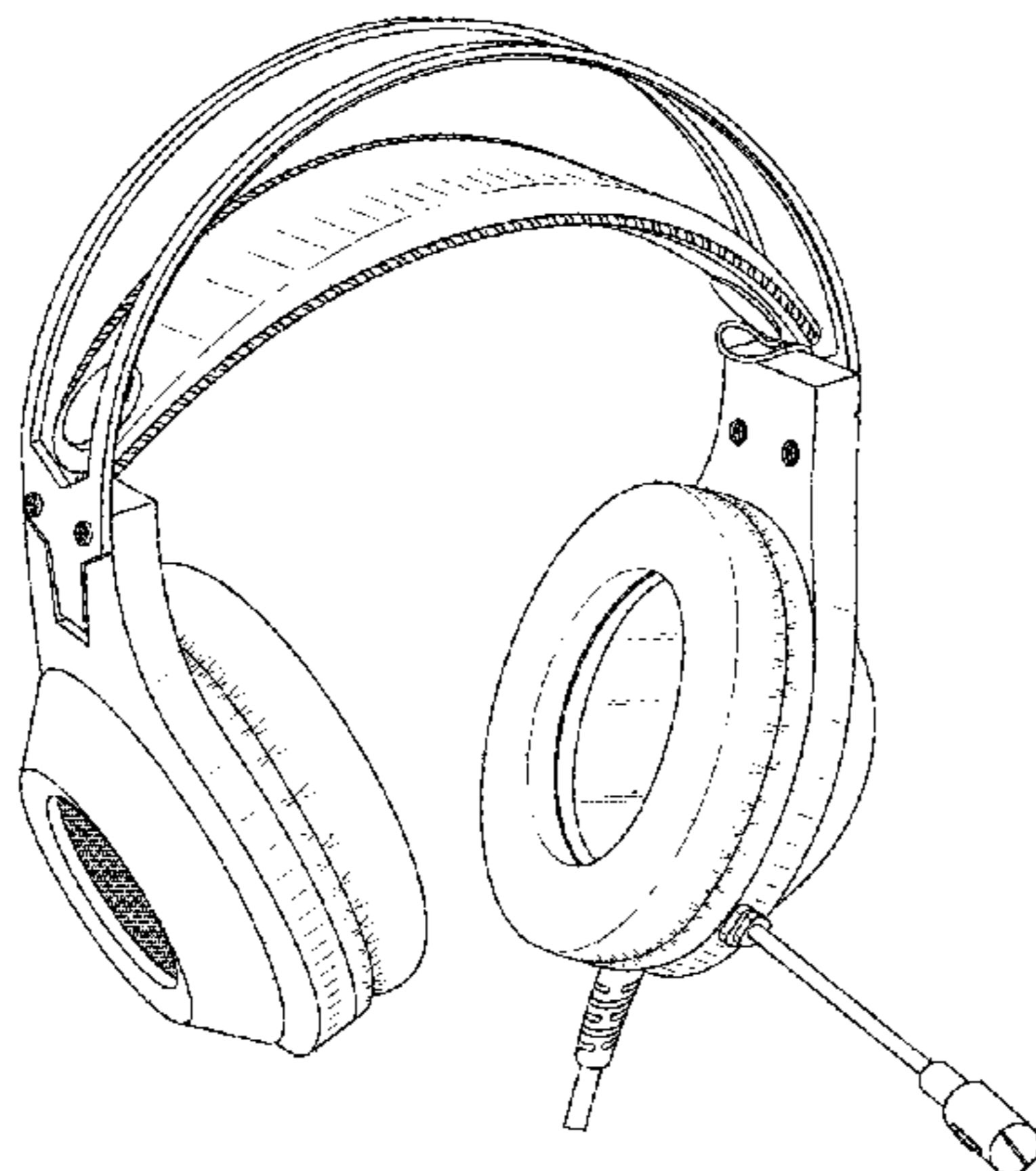
(57) **CLAIM**

The ornamental design for a gaming headset, as shown and described.

**DESCRIPTION**

FIG. 1 is a perspective view of the gaming headset showing my new design;  
FIG. 2 is a front view thereof;  
FIG. 3 is a back view thereof;  
FIG. 4 is a left side view thereof;  
FIG. 5 is a right side view thereof;  
FIG. 6 is a top view thereof; and,  
FIG. 7 is a bottom view thereof.

**1 Claim, 7 Drawing Sheets**



(56)

References Cited

U.S. PATENT DOCUMENTS

7,412,070 B2 \* 8/2008 Kleinschmidt ..... H04R 1/1083  
 381/370  
 D578,508 S \* 10/2008 Wang ..... D14/206  
 D581,394 S \* 11/2008 Lee ..... D14/205  
 D594,847 S \* 6/2009 Suzuki ..... D14/205  
 D609,694 S \* 2/2010 Komiyama ..... D14/205  
 D617,781 S \* 6/2010 Kallas ..... D14/226  
 D620,474 S \* 7/2010 Komiyama ..... D14/205  
 D635,959 S \* 4/2011 Hutchieson ..... D14/205  
 D637,176 S \* 5/2011 Brunner ..... D14/205  
 D642,554 S \* 8/2011 Schaal ..... D14/205  
 D652,405 S \* 1/2012 Lee ..... D14/205  
 D674,767 S \* 1/2013 Brunner ..... D14/205  
 D684,559 S \* 6/2013 Groset ..... D14/205  
 D686,593 S \* 7/2013 Larsen ..... D14/205  
 D691,113 S \* 10/2013 Gougherty ..... D14/206  
 D696,226 S \* 12/2013 Brunner ..... H04R 1/1008  
 D14/205  
 D716,762 S \* 11/2014 Greve ..... D14/206  
 D728,512 S \* 5/2015 Nakagawa ..... D14/205  
 D736,174 S \* 8/2015 Levine ..... D14/205  
 D741,842 S \* 10/2015 Levine ..... D14/226  
 D750,041 S \* 2/2016 Birger ..... D14/205  
 D766,870 S \* 9/2016 Catalano ..... D14/205  
 D768,110 S \* 10/2016 Suzuki ..... D14/205  
 D768,111 S \* 10/2016 Nam ..... D14/205  
 D786,824 S \* 5/2017 Hembrey ..... D14/205  
 D841,620 S \* 2/2019 Liu ..... D14/206  
 2005/0286717 A1 \* 12/2005 Viduya ..... H04M 1/05  
 379/430

\* cited by examiner



FIG. 1

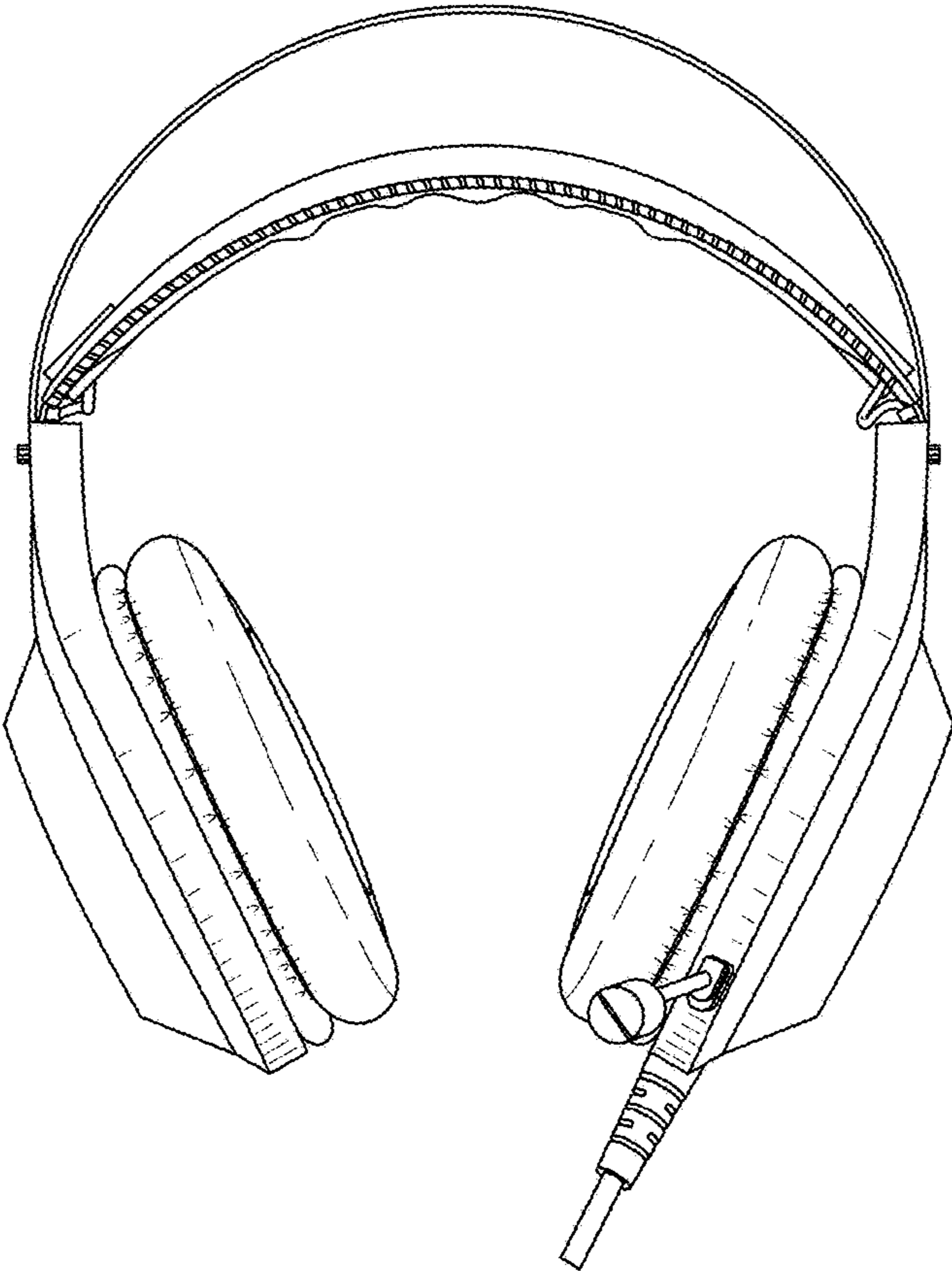


FIG. 2

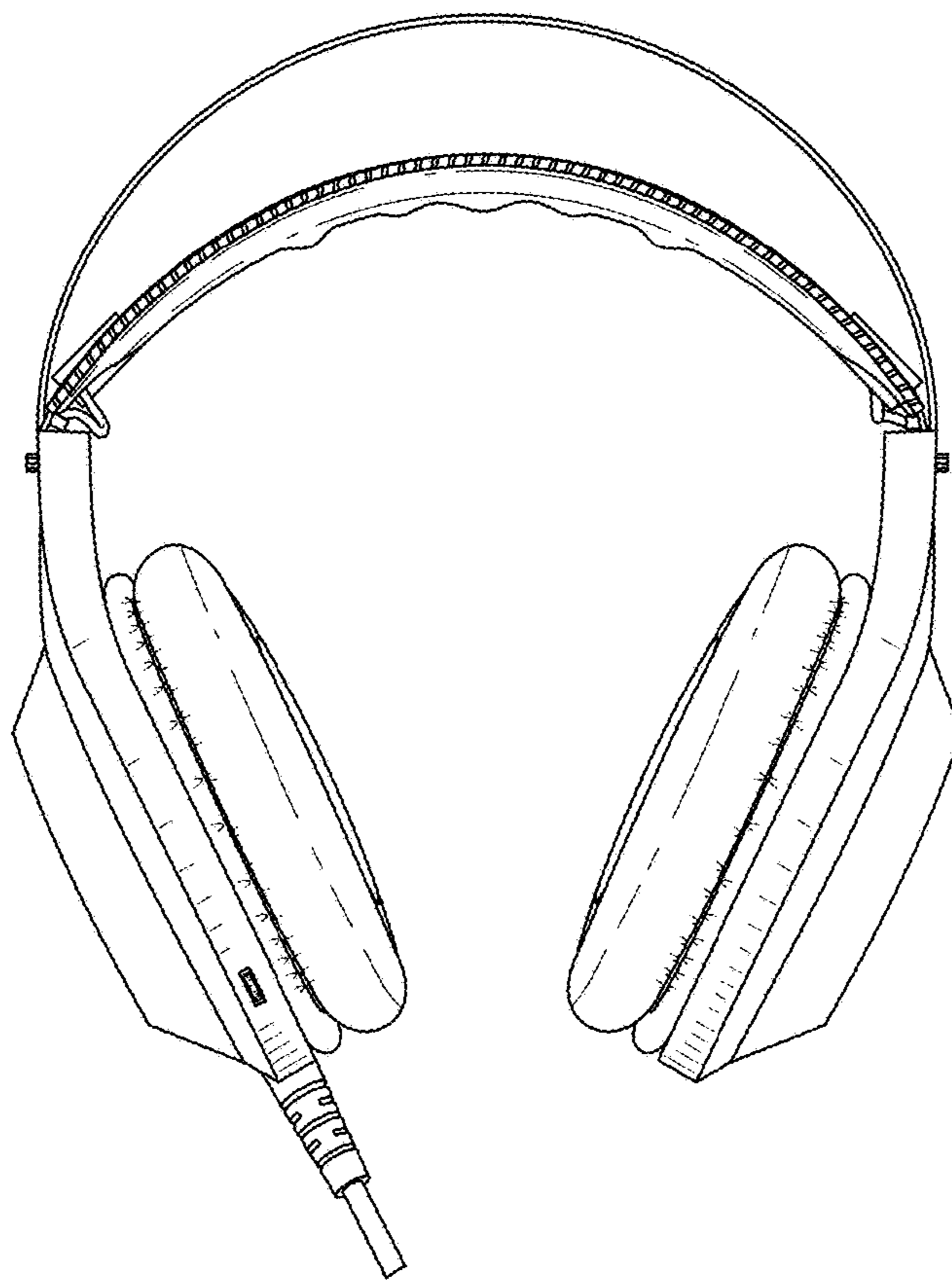


FIG. 3

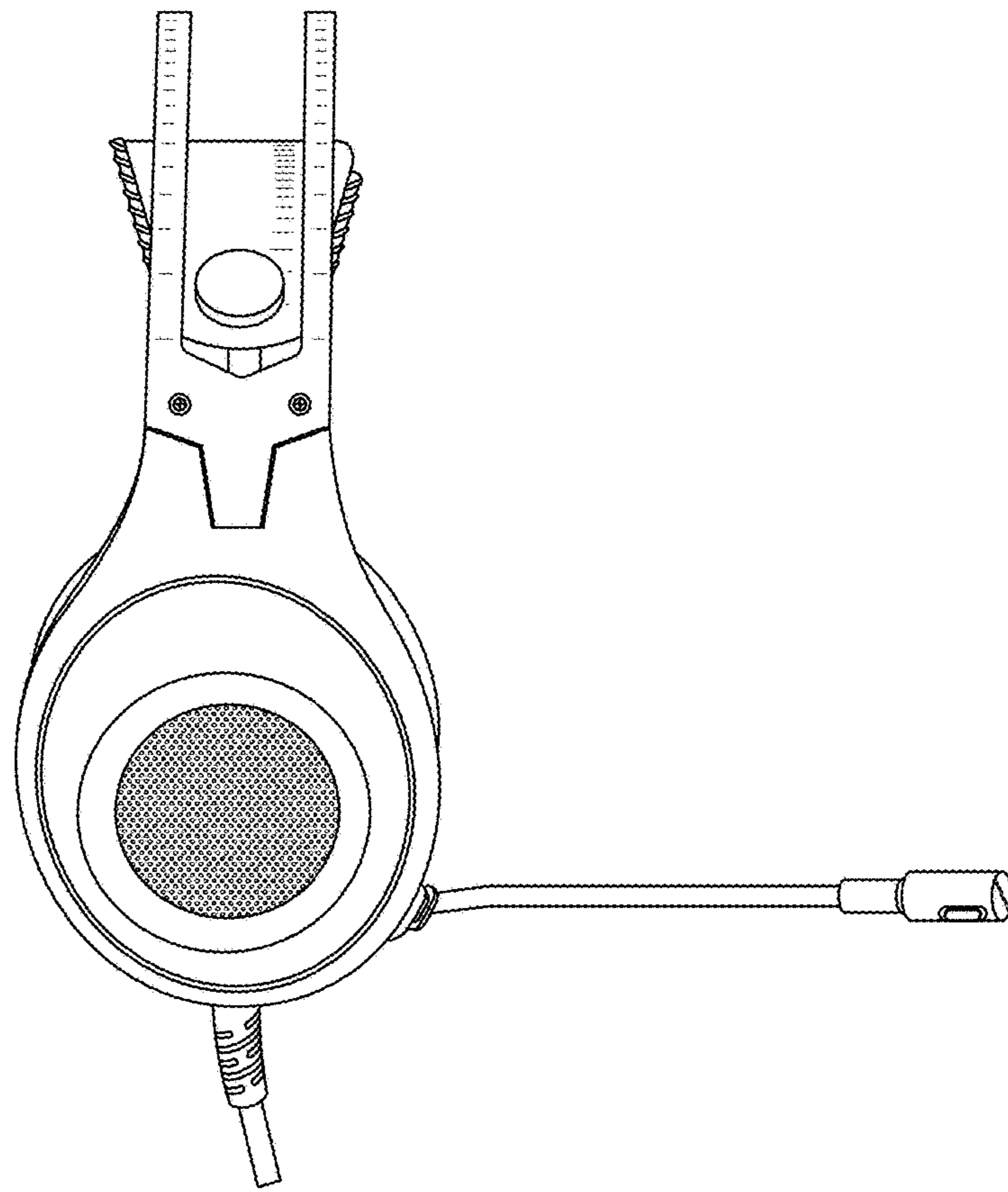


FIG. 4



FIG. 5

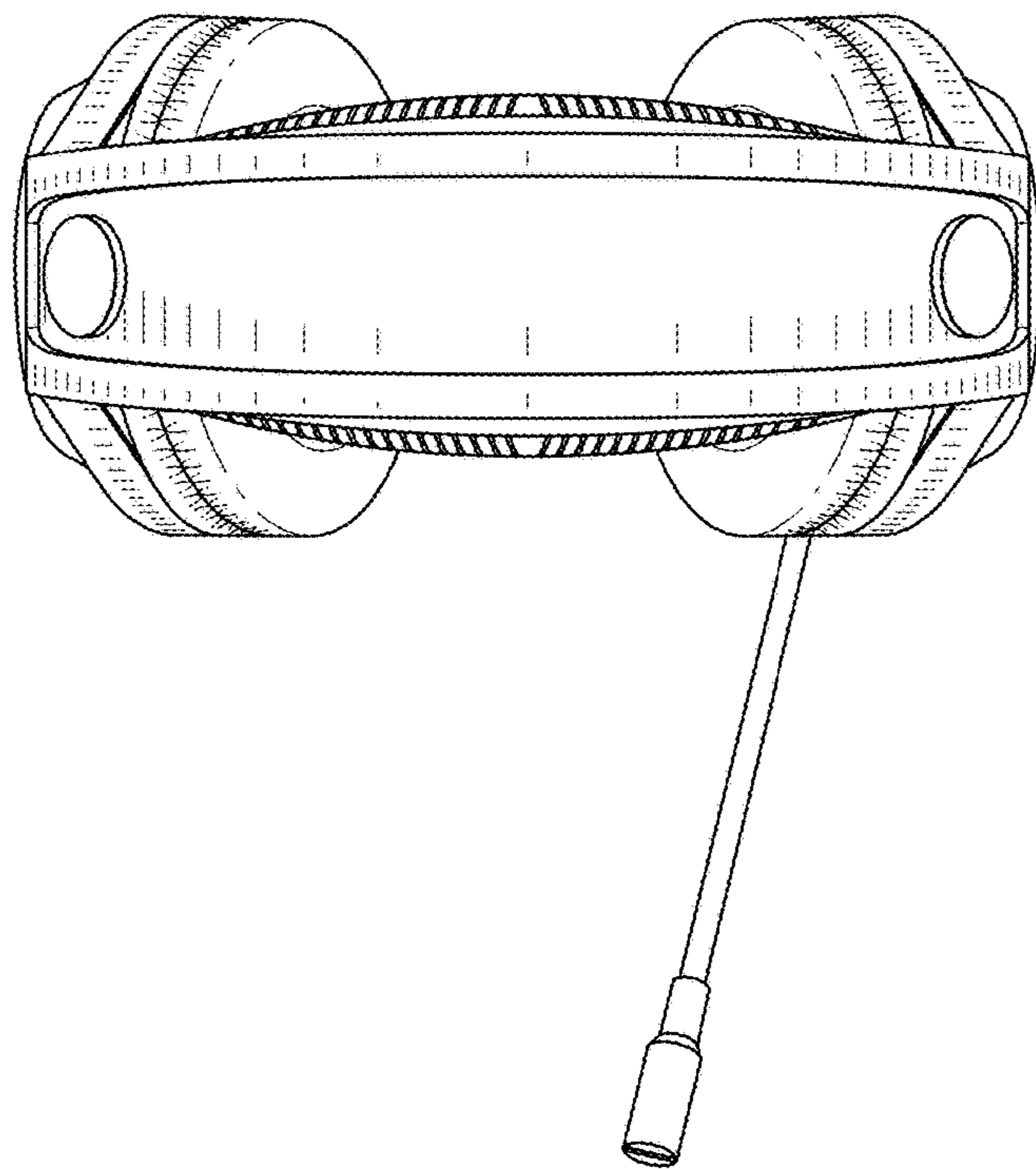


FIG. 6



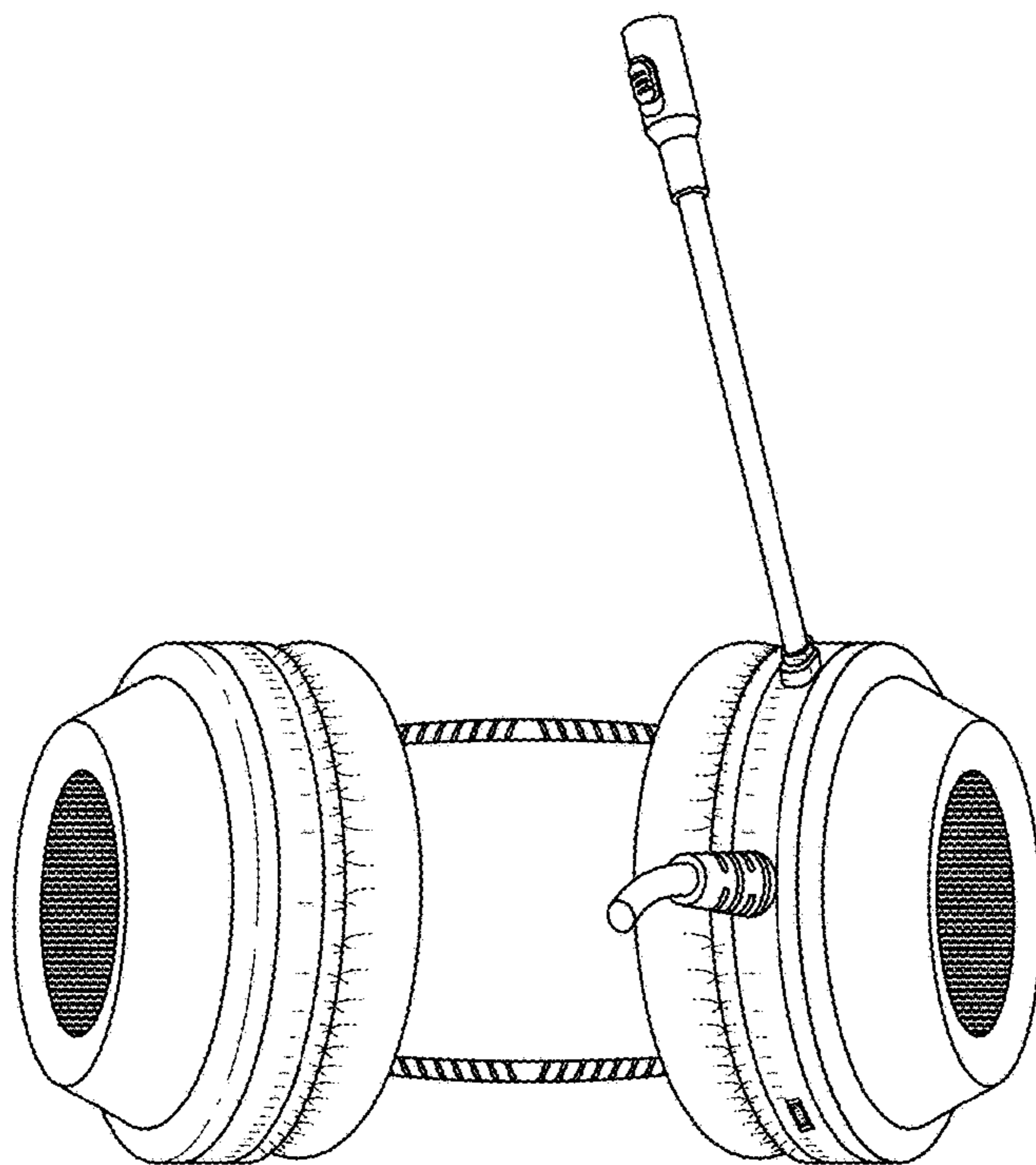


FIG. 7