



US00D864155S

(12) **United States Design Patent** (10) **Patent No.:** **US D864,155 S**  
**Liu** (45) **Date of Patent:** **\*\* Oct. 22, 2019**

(54) **GAMING HEADSET**  
(71) Applicant: **Hanbing Liu**, Dongguan (CN)  
(72) Inventor: **Hanbing Liu**, Dongguan (CN)  
(\*\*) Term: **15 Years**  
(21) Appl. No.: **29/633,549**  
(22) Filed: **Jan. 15, 2018**  
(51) **LOC (12) Cl.** ..... **14-01**  
(52) **U.S. Cl.**  
USPC ..... **D14/206**; D14/226  
(58) **Field of Classification Search**  
USPC ..... D14/205, 206, 372, 188, 192, 225, 226,  
D14/228; D29/112; 2/209; 181/129,  
181/130, 135; 379/430, 431; 381/380,  
381/381, 374; 345/7, 8; 455/90.3, 575.1,  
455/569.1  
CPC ..... H04R 25/00; H04R 1/10; H04R 1/1066;  
H04R 1/1016; H04R 5/033; H04R  
5/0335; G09G 5/00  
See application file for complete search history.

(56) **References Cited**

**U.S. PATENT DOCUMENTS**

4,133,053 A \* 1/1979 Lundin ..... H04R 1/1058  
2/209  
D322,071 S \* 12/1991 Bergin ..... D14/205  
D353,818 S \* 12/1994 Nakamura ..... D14/205  
5,406,037 A \* 4/1995 Nageno ..... H04R 5/0335  
181/129  
5,574,795 A \* 11/1996 Seki ..... H04R 5/0335  
381/370  
5,608,794 A \* 3/1997 Larson ..... H04M 1/05  
379/377  
5,793,878 A \* 8/1998 Chang ..... H04R 5/0335  
381/370  
D410,466 S \* 6/1999 Mouri ..... D14/205  
D420,356 S \* 2/2000 Suzuki ..... D14/205

6,295,366 B1 \* 9/2001 Haller ..... H04R 5/0335  
379/430  
D457,512 S \* 5/2002 Yoneda ..... D14/205  
D458,597 S \* 6/2002 Davies ..... D14/206  
6,625,293 B1 \* 9/2003 Nageno ..... H04R 1/08  
181/20  
D484,868 S \* 1/2004 Suzuki ..... D14/205  
7,031,475 B2 \* 4/2006 Kuraoka ..... H04M 1/0289  
379/428.02  
7,106,873 B1 \* 9/2006 Harrison ..... H04R 25/456  
381/330  
D529,480 S \* 10/2006 Wittenbrock ..... D14/206  
7,292,704 B2 \* 11/2007 Lederer ..... G01R 33/283  
381/380  
D567,215 S \* 4/2008 Lee ..... D14/205  
D567,220 S \* 4/2008 Wang ..... D14/206  
D573,581 S \* 7/2008 Gondo ..... D14/205  
D594,847 S \* 6/2009 Suzuki ..... D14/205  
D603,370 S \* 11/2009 Suzuki ..... D14/205  
D603,371 S \* 11/2009 Boateng ..... D14/205  
D633,896 S \* 3/2011 Kondo ..... D14/205  
D642,554 S \* 8/2011 Schaal ..... D14/205  
D657,776 S \* 4/2012 Lee ..... D14/205

(Continued)

*Primary Examiner* — Paula Allen Greene

(74) *Attorney, Agent, or Firm* — Gokalp Bayramoglu

(57) **CLAIM**

The ornamental design for a gaming headset, as shown and described.

**DESCRIPTION**

FIG. 1 is a perspective view of the gaming headset showing my new design;  
FIG. 2 is a front view thereof;  
FIG. 3 is a back view thereof;  
FIG. 4 is a left side view thereof;  
FIG. 5 is a right side view thereof;  
FIG. 6 is a top view thereof; and,  
FIG. 7 is a bottom view thereof.

**1 Claim, 7 Drawing Sheets**



(56)

**References Cited**

U.S. PATENT DOCUMENTS

D661,685	S *	6/2012	Lee	.....	D14/205
D662,078	S *	6/2012	Leung	.....	D14/205
D662,080	S *	6/2012	Carr	.....	D14/205
D665,777	S *	8/2012	Alden	.....	D14/205
D675,595	S *	2/2013	Cho	.....	D14/205
D683,329	S *	5/2013	Hagelin	.....	D14/205
D706,244	S *	6/2014	Goransson	.....	D14/225
D711,348	S *	8/2014	Yang	.....	D14/205
D716,762	S *	11/2014	Greve	.....	D14/206
D734,745	S *	7/2015	Tatkon-Coker	.....	D14/225
D740,256	S *	10/2015	Carr	.....	D14/206
9,344,794	B1 *	5/2016	Blonder	.....	H04R 5/0335
D782,999	S *	4/2017	Spio	.....	D14/206
D787,470	S *	5/2017	Kelly	.....	D14/205
9,706,281	B2 *	7/2017	Hernandez Vazquez	.....	H04R 1/08
D800,691	S *	10/2017	Ando	.....	D14/205
D816,061	S *	4/2018	Ando	.....	D14/205
D830,339	S *	10/2018	Yan	.....	D14/206
D836,085	S *	12/2018	Sun	.....	D14/206
2010/0310093	A1 *	12/2010	Semcken	.....	H04R 1/1058
					381/104
2016/0286019	A1 *	9/2016	Broadley	.....	H04M 1/6058

\* cited by examiner



FIG. 1



FIG. 2





FIG. 3

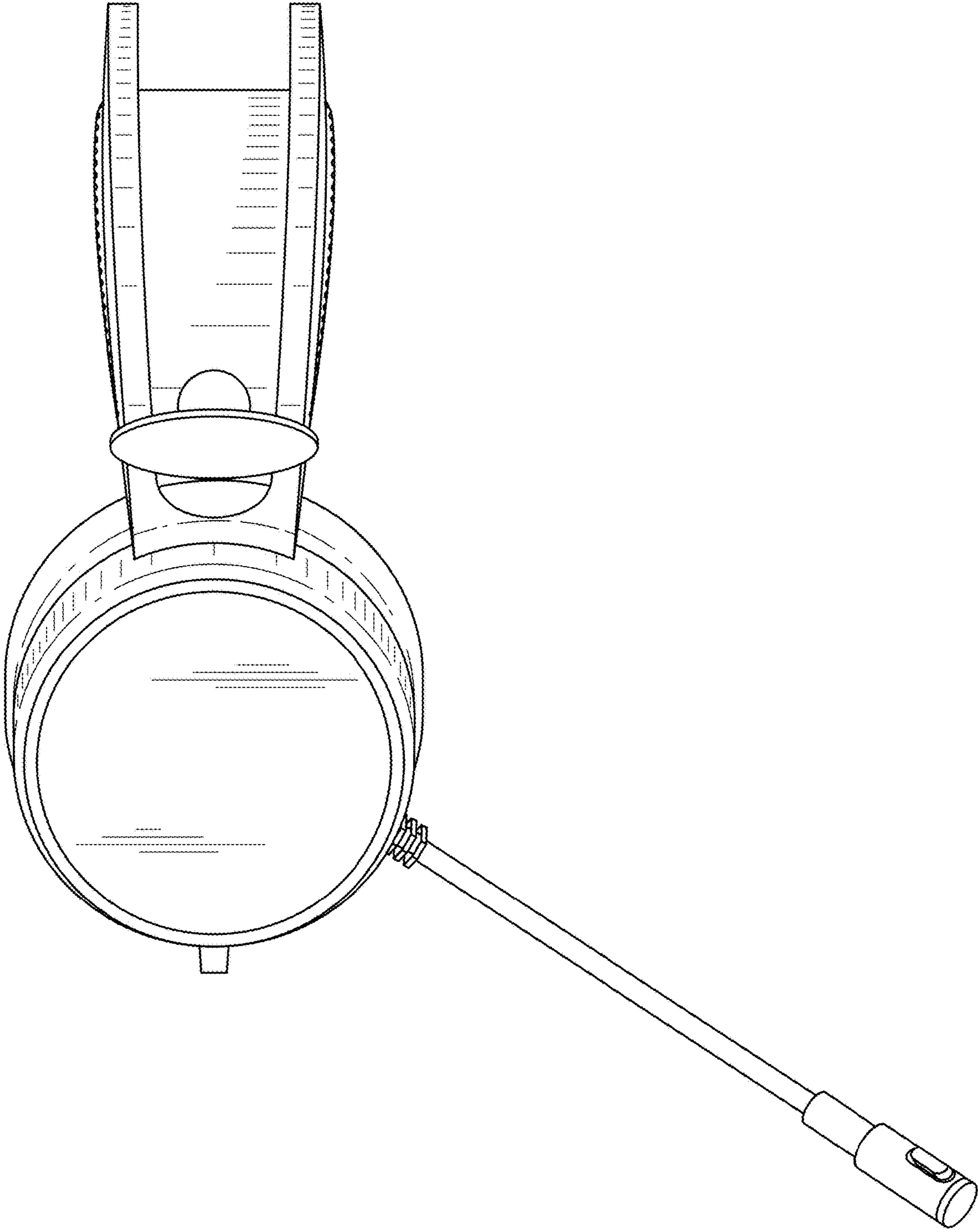


FIG. 4

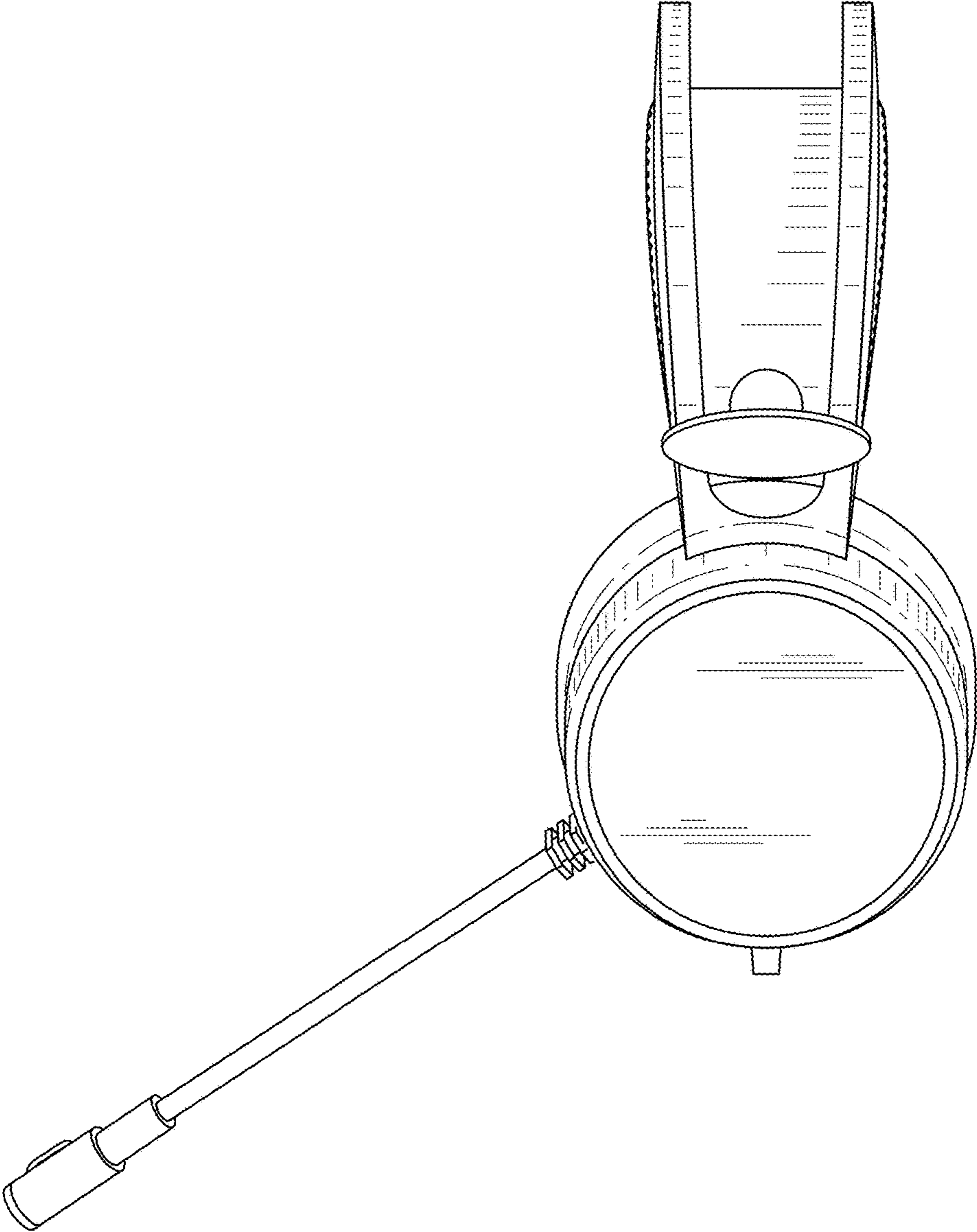


FIG. 5

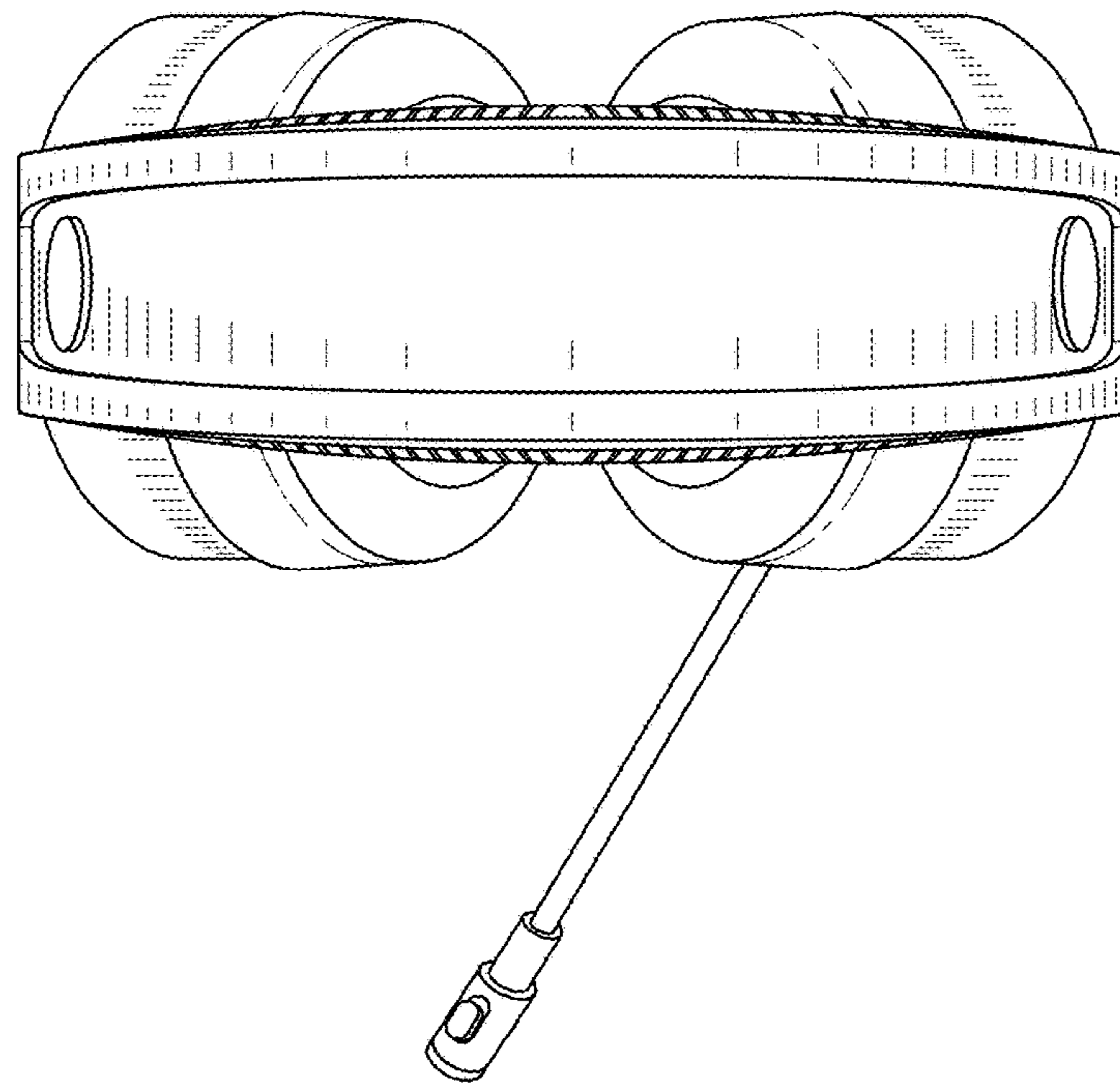


FIG. 6



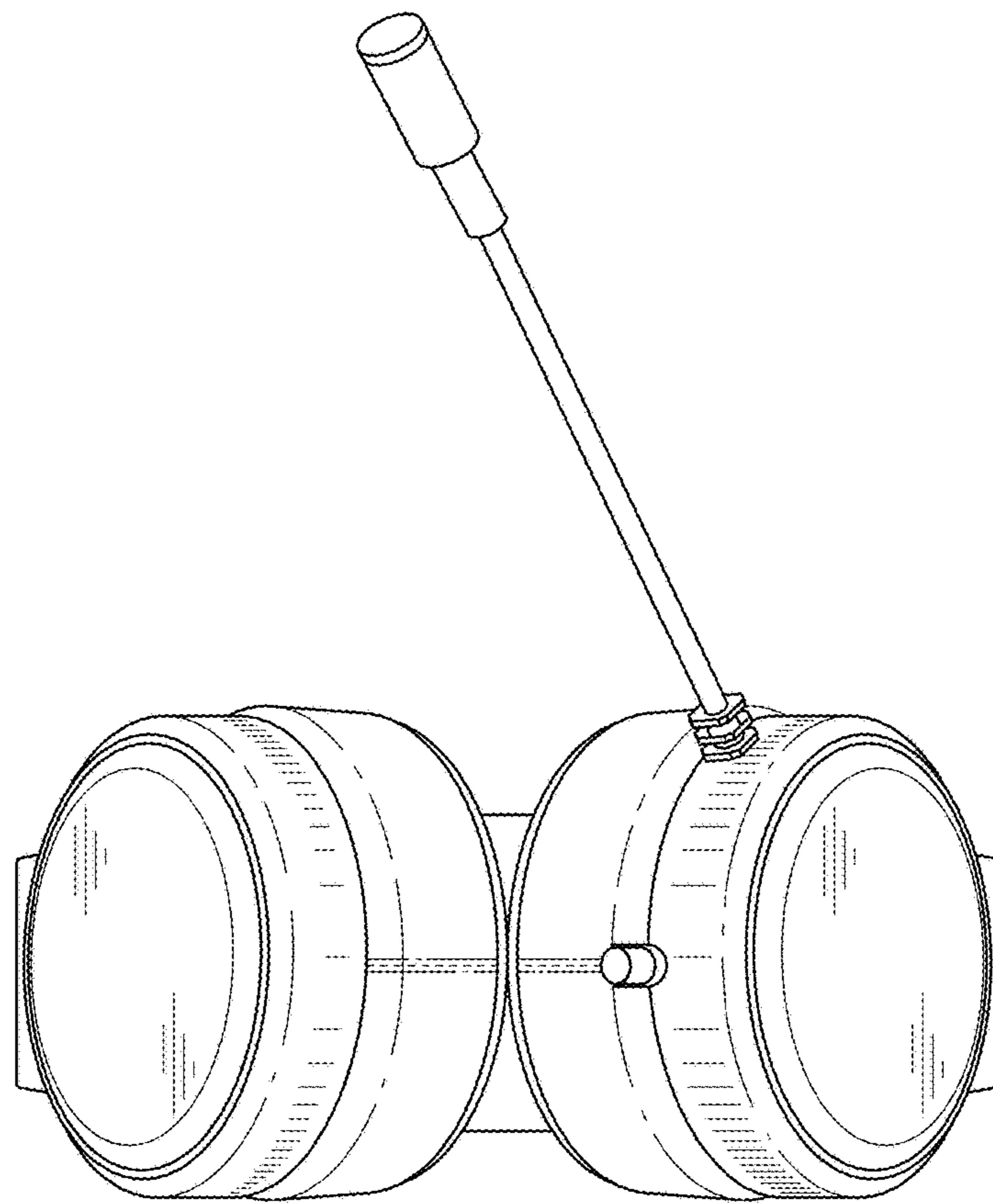


FIG. 7