



US00D864154S

(12) **United States Design Patent**
Hu

(10) **Patent No.:** **US D864,154 S**

(45) **Date of Patent:** **** Oct. 22, 2019**

(54) **HEADPHONE**

(71) Applicant: **SHENZHEN QIANHAI PATUOXUN NETWORK AND TECHNOLOGY CO., LTD**, Shenzhen (CN)

(72) Inventor: **Zaihui Hu**, Shenzhen (CN)

(73) Assignee: **SHENZHEN QIANHAI PATUOXUN NETWORK AND TECHNOLOGY CO., LTD**, Shenzhen (CN)

(**) Term: **15 Years**

(21) Appl. No.: **29/688,685**

(22) Filed: **Apr. 23, 2019**

(30) **Foreign Application Priority Data**

Oct. 26, 2018 (CN) 2018 3 0599989

(51) **LOC (12) Cl.** **14-01**

(52) **U.S. Cl.**
USPC **D14/205**

(58) **Field of Classification Search**
USPC D14/205; D29/112; 2/209; 181/129, 181/130, 135; 379/430, 431; 381/380, 381/381, 374; 455/90.3, 575.1, 569.1; D28/41; 132/273, 275
CPC H04R 25/00; H04R 25/02; H04R 1/1066; H04R 1/1016; H04R 5/033; H04R 5/0335; H04R 1/10
See application file for complete search history.

(56) **References Cited**

U.S. PATENT DOCUMENTS

- 1,699,127 A * 1/1929 Wacker H04R 1/1066 381/74
- 4,156,118 A * 5/1979 Hargrave A61B 5/12 381/354
- D254,183 S * 2/1980 Doodson D14/205
- 4,499,593 A * 2/1985 Antle H04R 1/1066 381/309
- D333,137 S * 2/1993 Burke D14/206

- D346,802 S * 5/1994 Sacherman D14/206
 - 5,581,627 A * 12/1996 Bowser H04R 5/0335 381/189
 - D430,140 S * 8/2000 Roman D14/205
 - D457,874 S * 5/2002 Yoneda D14/205
- (Continued)

FOREIGN PATENT DOCUMENTS

- EM 005310299-0001 6/2018
- EM 006368080-0002 * 4/2019

OTHER PUBLICATIONS

iLive IAH57B On-Ear Headphones, p. 1 https://www.google.com/search?q=headphones&tbs=cat:505771,vw:1,init_ar:SgZKBAir7x5... (Year: 2019).*

Primary Examiner — Paula Allen Greene
(74) *Attorney, Agent, or Firm* — JCIP Global Inc.

(57) **CLAIM**

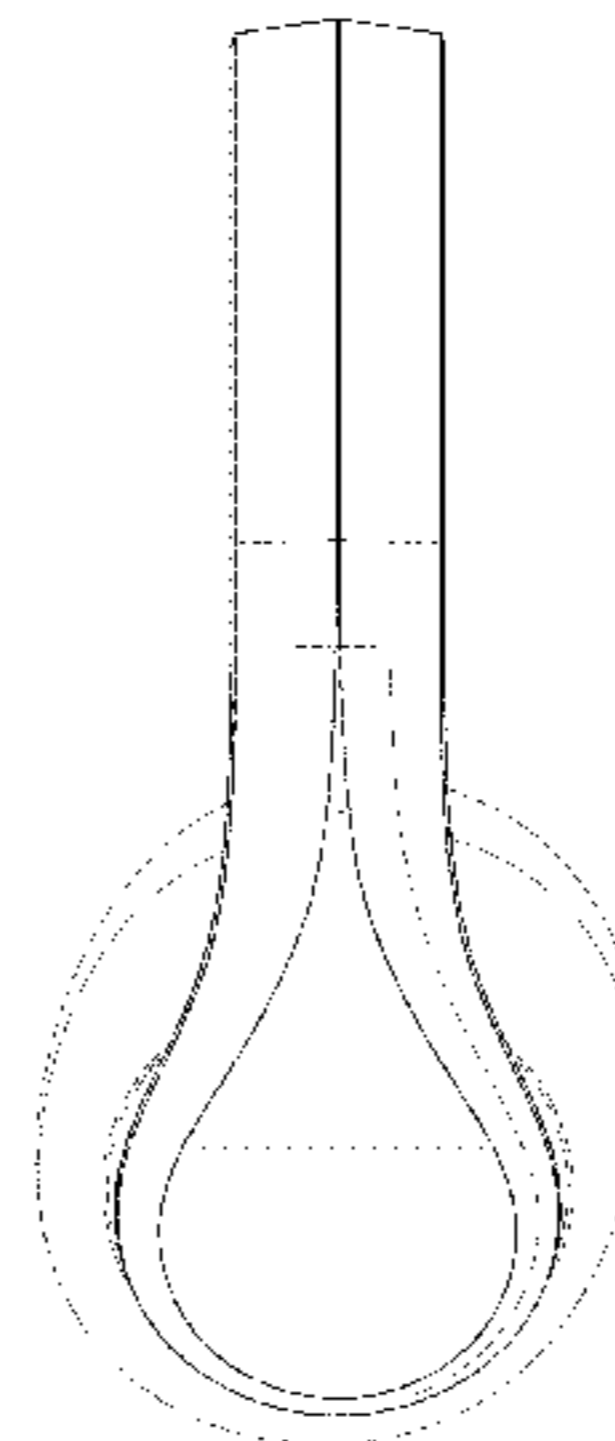
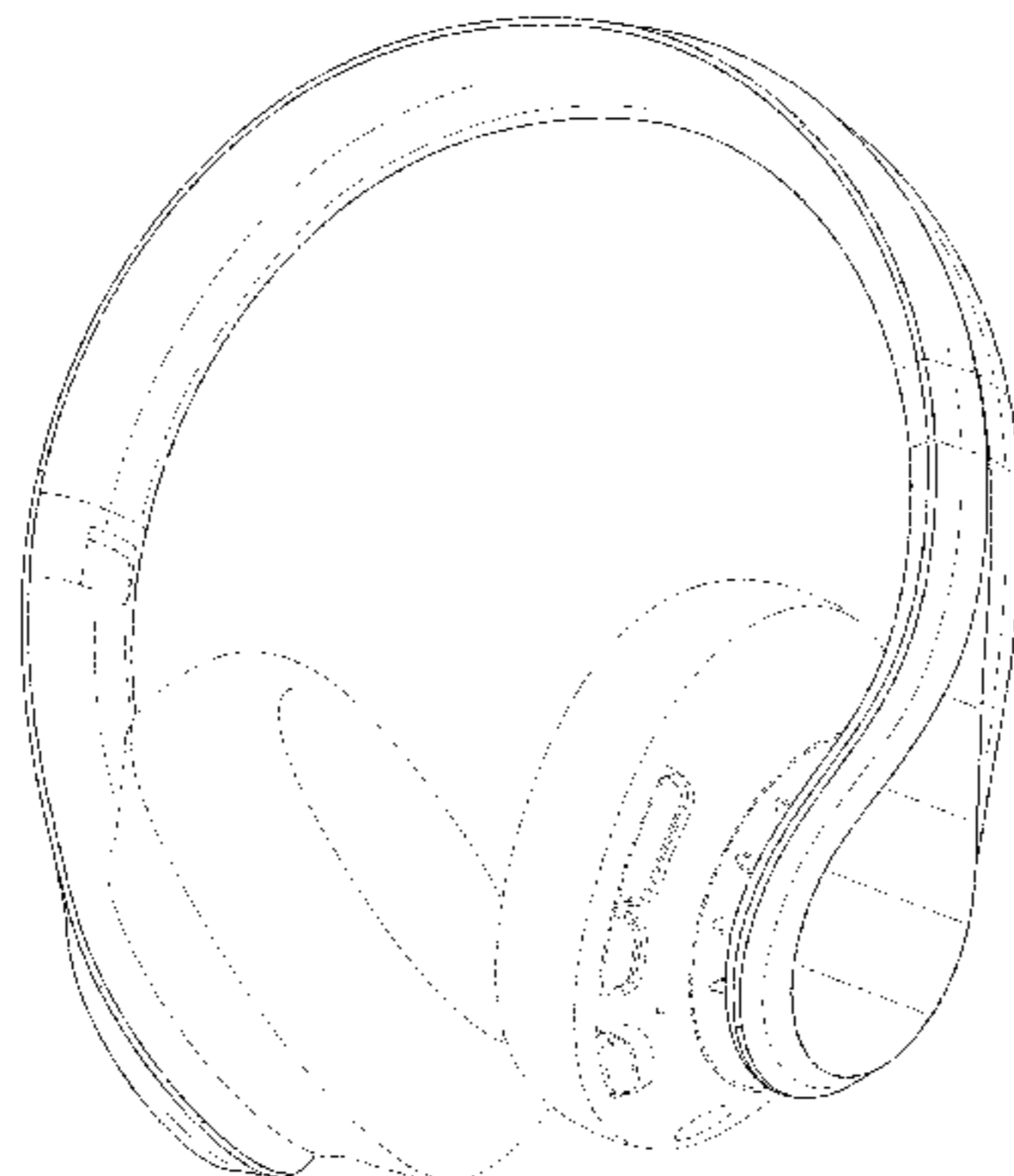
The ornamental design for a headphone, as shown and described.

DESCRIPTION

FIG. 1 is a perspective view of a headphone showing my new design;
FIG. 2 is another perspective view thereof;
FIG. 3 is a front view thereof;
FIG. 4 is a rear view thereof;
FIG. 5 is a left side view thereof;
FIG. 6 is a right side view thereof;
FIG. 7 is a top view thereof; and,
FIG. 8 is a bottom view thereof.

The broken lines immediately adjacent the shaded areas represent the bounds of the claimed design, while all other broken lines are directed to environment and are for illustrative purposes only; the broken lines form no part of the claimed design.

1 Claim, 7 Drawing Sheets



(56)

References Cited

U.S. PATENT DOCUMENTS

D464,944 S * 10/2002 Lee D14/206
 6,466,681 B1 * 10/2002 Siska, Jr. H04R 5/0335
 381/370
 D484,485 S * 12/2003 Matsuoka D14/205
 D494,154 S * 8/2004 Polito D14/206
 D512,981 S * 12/2005 Jacobson D14/205
 6,980,165 B2 * 12/2005 Yuasa H01Q 1/273
 343/718
 7,072,483 B2 * 7/2006 Lenhard-Backhaus
 H04R 1/1066
 381/370
 D534,155 S * 12/2006 Obata D14/205
 D540,301 S * 4/2007 Obata D14/205
 D540,777 S * 4/2007 Rausch D14/205
 D540,778 S * 4/2007 Thompson D14/206
 D552,077 S * 10/2007 Brunner D14/205
 D563,382 S * 3/2008 Wikel D14/205
 7,424,125 B2 * 9/2008 Amae H04R 5/0335
 381/370
 D594,441 S * 6/2009 Lee D14/205
 D598,901 S * 8/2009 Lee D14/223
 D599,781 S * 9/2009 Lee D14/205
 D600,675 S * 9/2009 Lee D14/205
 7,590,258 B2 * 9/2009 Krywko H04R 1/1058
 381/328
 D603,371 S * 11/2009 Boateng D14/205
 D613,274 S * 4/2010 Lee D14/206
 D632,668 S * 2/2011 Brunner D14/205
 D635,959 S * 4/2011 Hutchieson D14/205
 D637,182 S * 5/2011 Lee D14/223
 D641,008 S * 7/2011 Lee D14/223
 D642,163 S * 7/2011 Lee D14/223
 D643,417 S * 8/2011 Lee D14/223
 D643,418 S * 8/2011 Lee D14/223
 D643,833 S * 8/2011 Lee D14/223
 D652,406 S * 1/2012 Lee D14/205

D657,344 S * 4/2012 Brunner D14/205
 D657,345 S * 4/2012 Brunner H04R 1/1008
 D14/205
 D660,823 S * 5/2012 Hardi D14/205
 D660,824 S * 5/2012 Hardi D14/205
 D662,080 S * 6/2012 Carr D14/205
 D663,716 S * 7/2012 Hardi D14/205
 D664,116 S * 7/2012 Hutchieson D14/205
 D664,117 S * 7/2012 Tappeiner D14/205
 D664,118 S * 7/2012 Tappeiner D14/205
 D666,991 S * 9/2012 Lee D14/205
 D673,136 S * 12/2012 Kelly D14/205
 D674,767 S * 1/2013 Brunner D14/205
 D677,648 S * 3/2013 Lee D14/206
 D678,860 S * 3/2013 Hagelin D14/205
 D683,329 S * 5/2013 Hagelin D14/205
 D699,702 S * 2/2014 Chen D14/205
 D717,764 S * 11/2014 Lee D14/205
 D722,591 S * 2/2015 Son D14/205
 D732,000 S 6/2015 Brunner et al.
 D738,850 S * 9/2015 Chung D14/205
 D742,357 S * 11/2015 Chung D14/205
 D747,291 S * 1/2016 Lee D14/205
 D768,110 S * 10/2016 Suzuki D14/205
 D786,824 S * 5/2017 Hembrey D14/205
 10,178,463 B2 * 1/2019 Smiechowski H04R 1/1066
 D850,406 S * 6/2019 Hembrey D14/205
 D853,986 S * 7/2019 Treski D14/205
 2005/0220318 A1 * 10/2005 Han H04R 1/1008
 381/371
 2009/0034774 A1 * 2/2009 Lowry, Jr. H04R 1/1091
 381/380
 2009/0285436 A1 * 11/2009 Lowry H04R 1/1016
 381/380
 2011/0164776 A1 * 7/2011 Kelly H04R 1/1016
 381/379
 2015/0139472 A1 * 5/2015 Solomon H04R 1/1091
 381/378

* cited by examiner

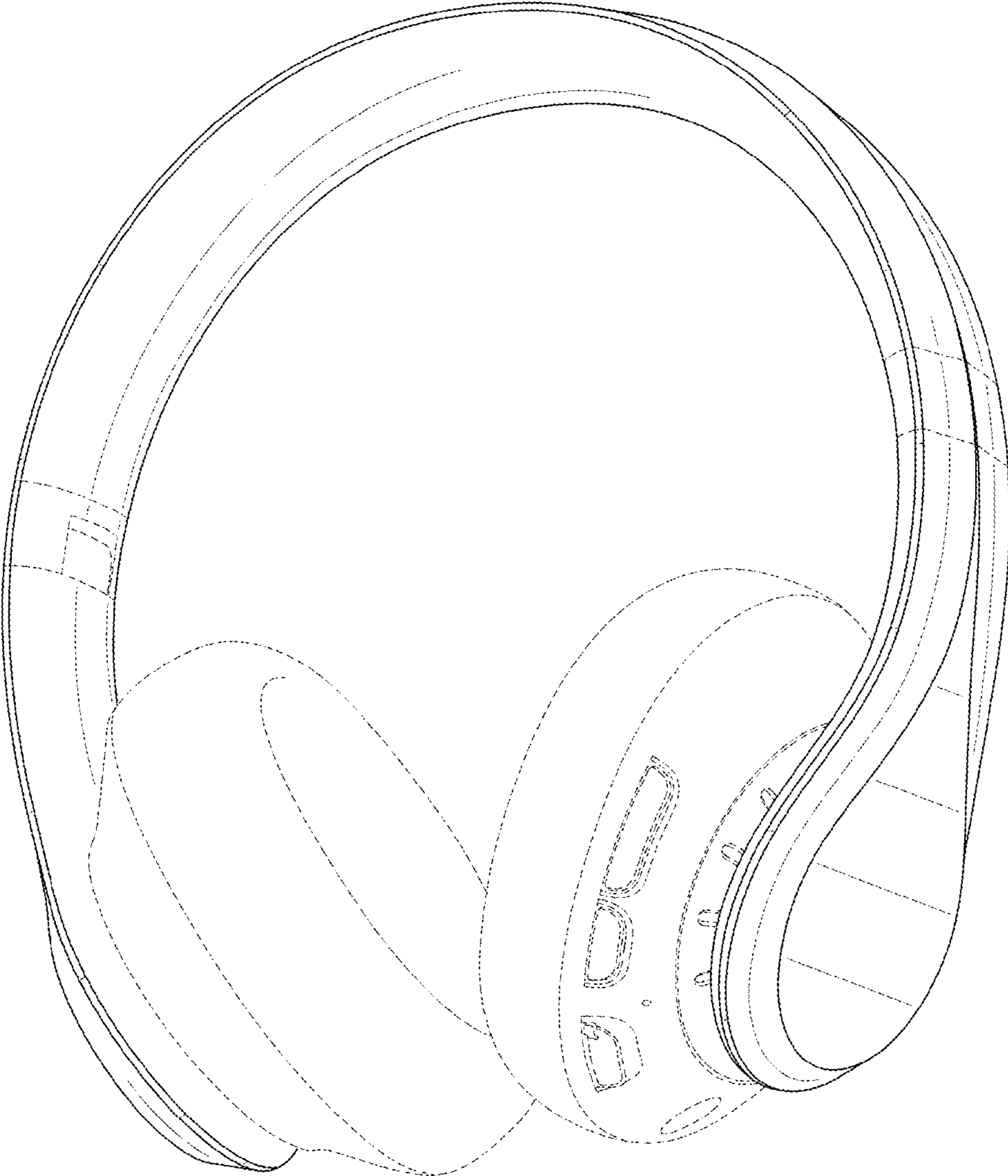


FIG. 1

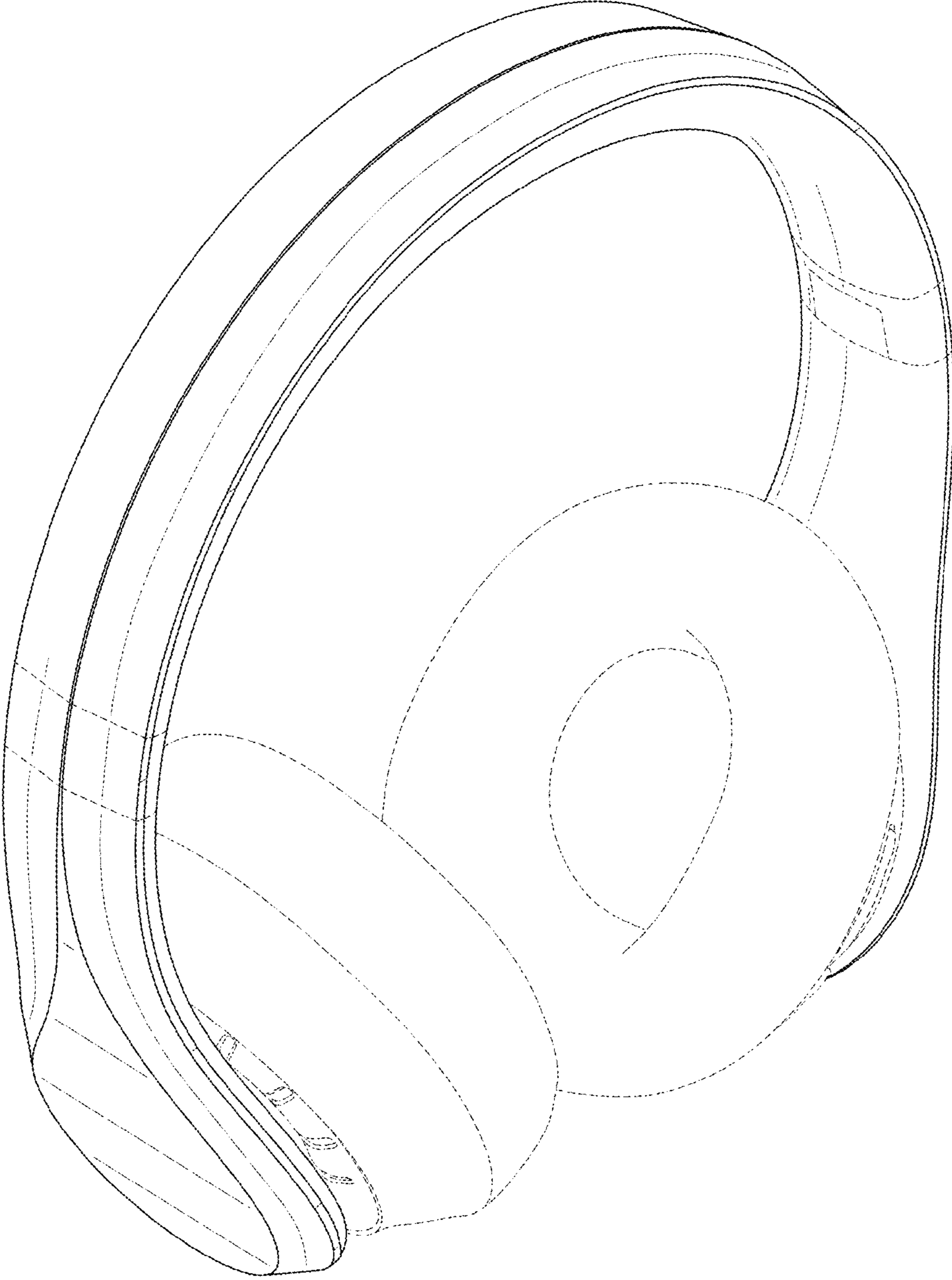


FIG. 2

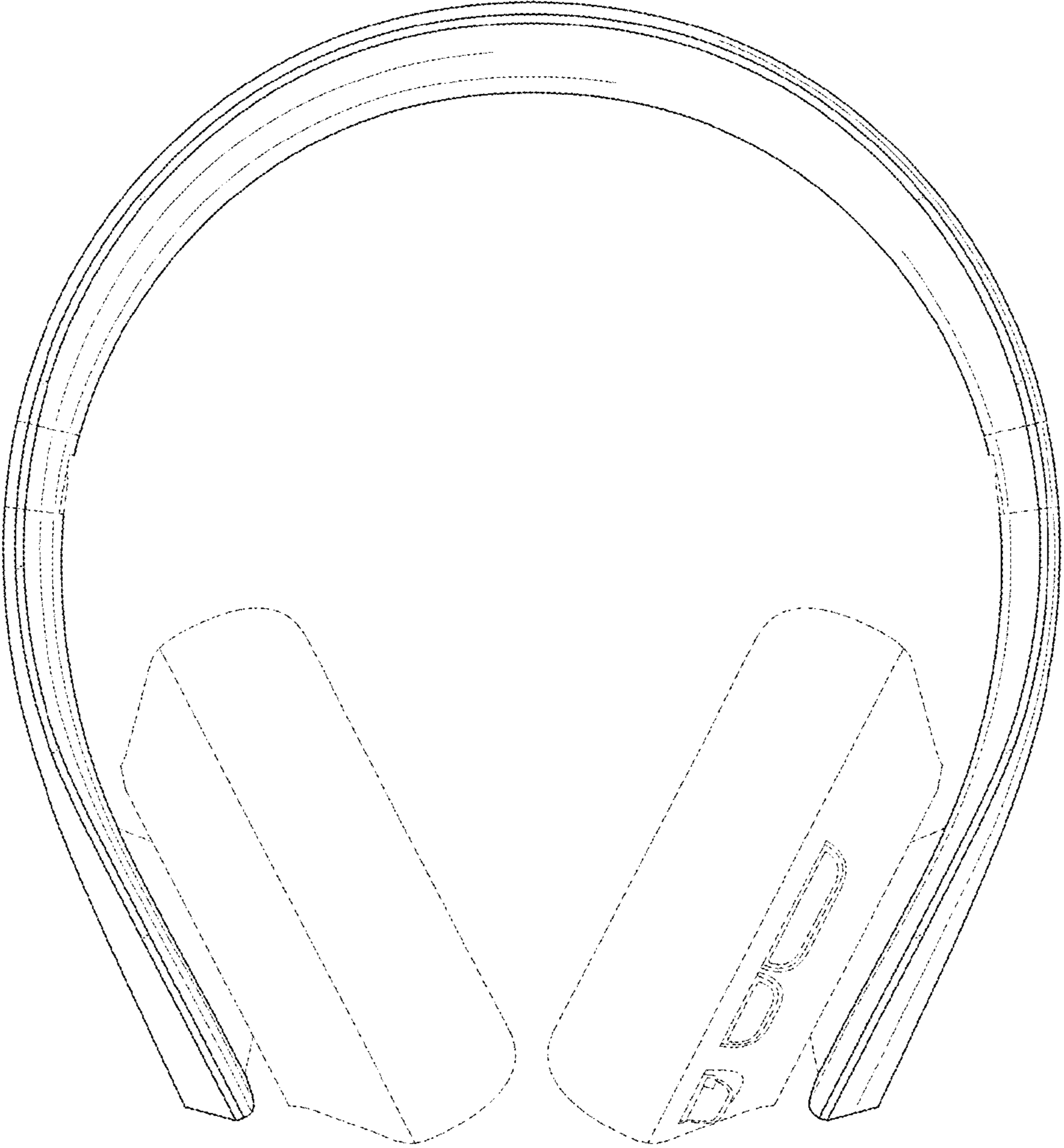


FIG. 3

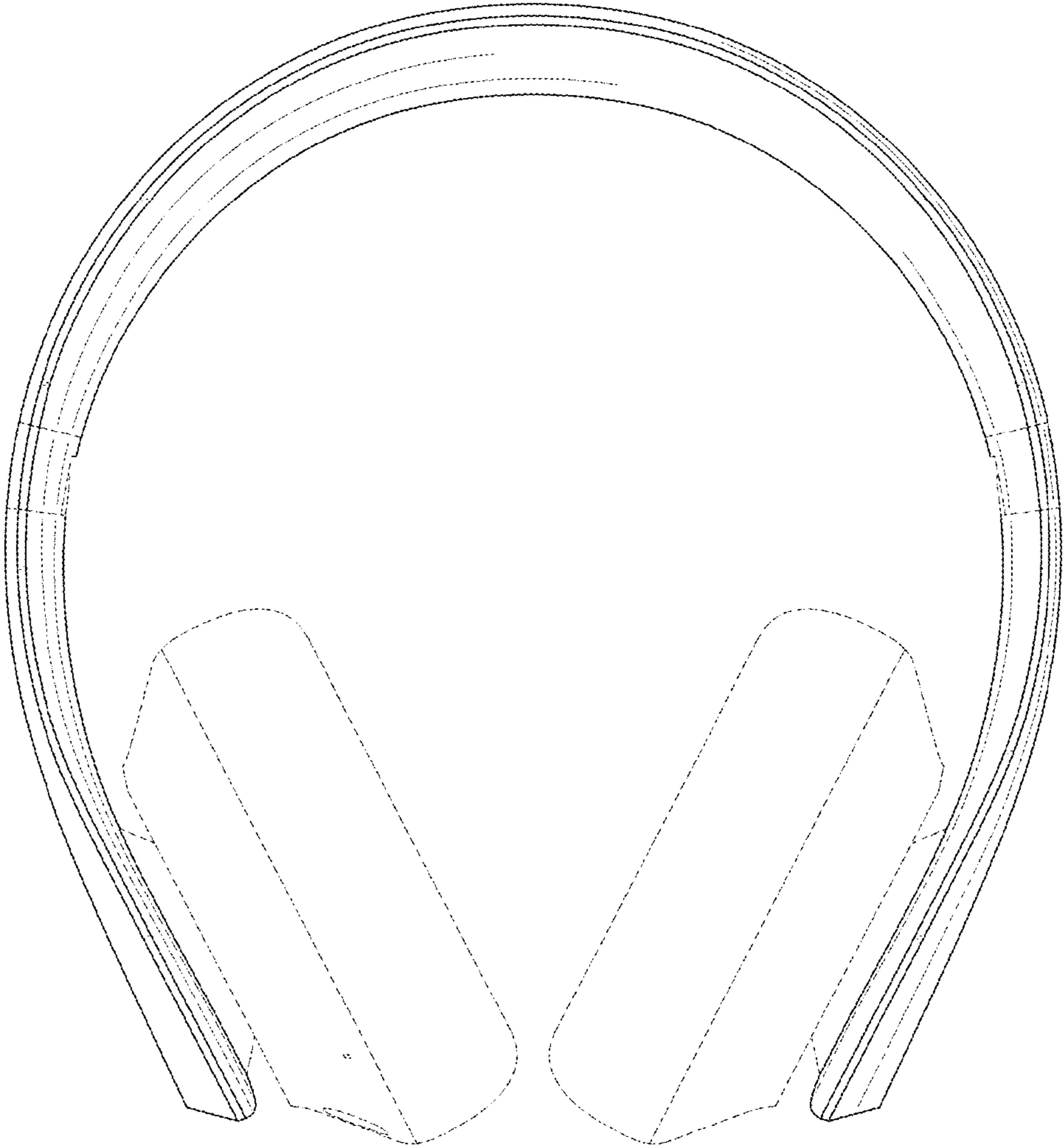


FIG. 4

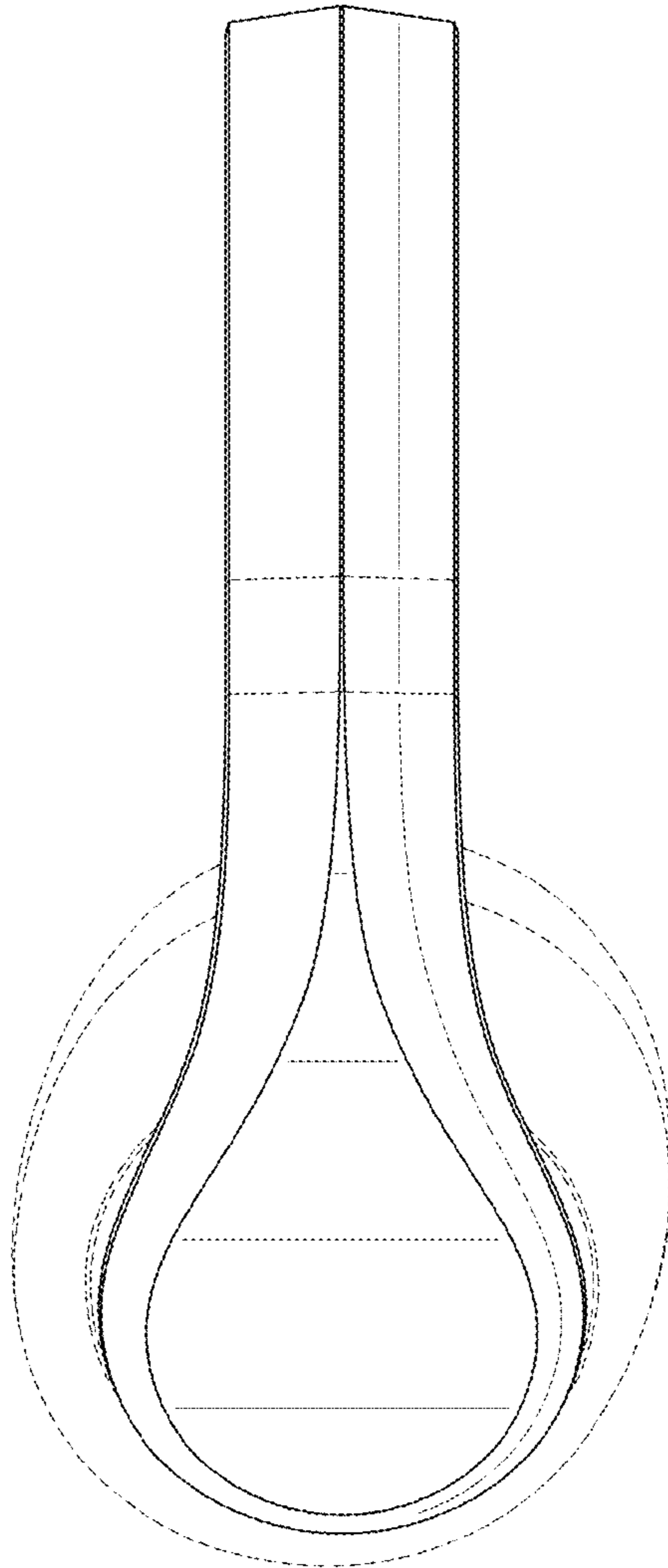


FIG. 5

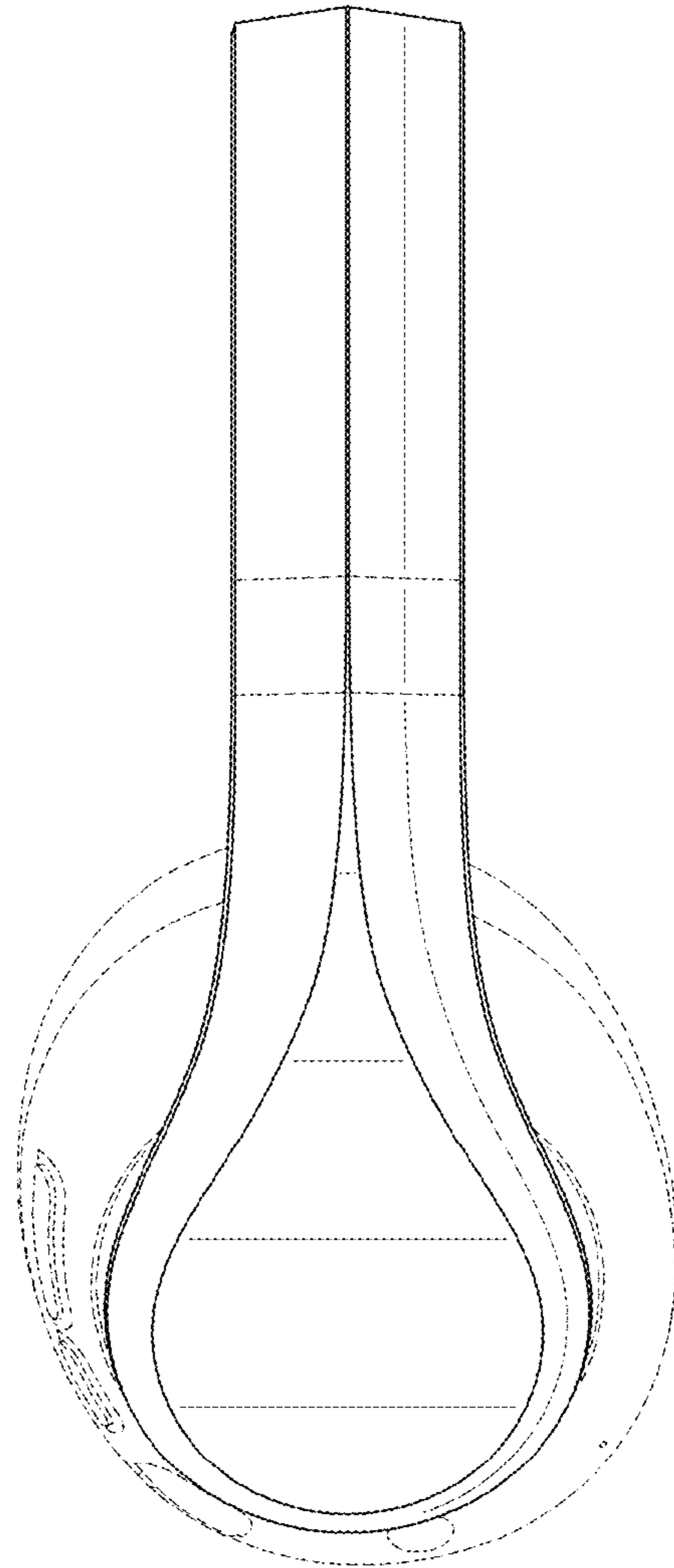


FIG. 6

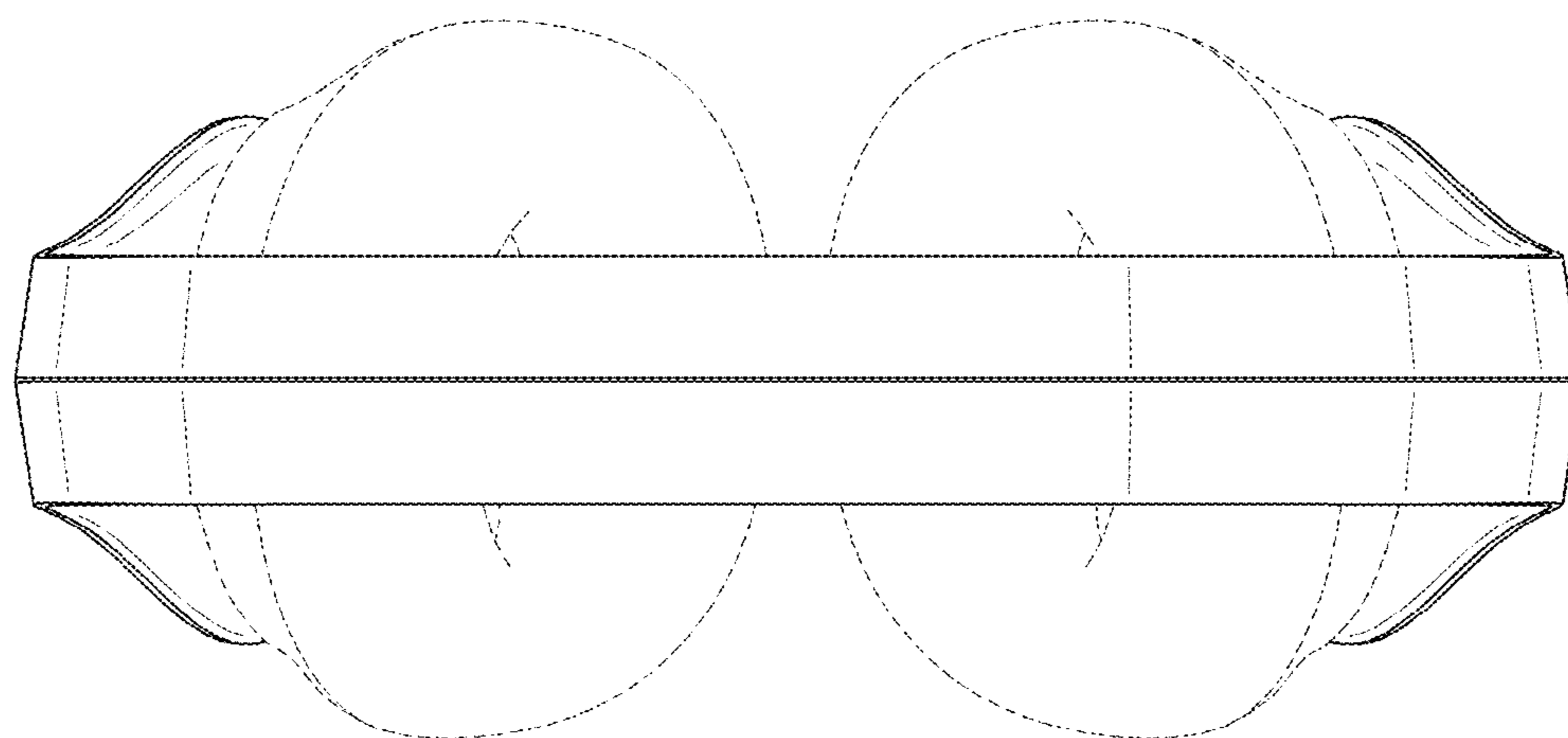


FIG. 7

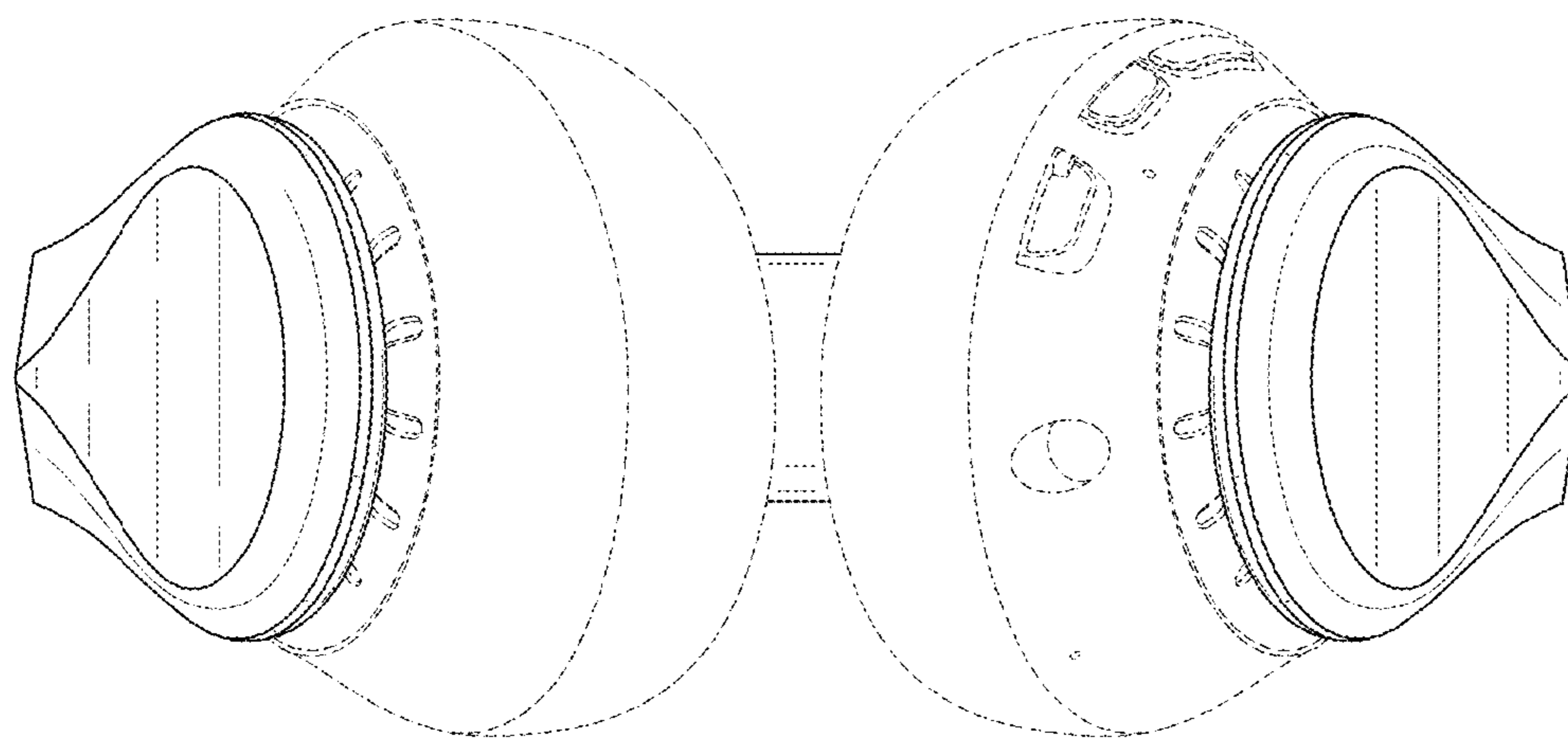


FIG. 8