



US00D864153S

(12) **United States Design Patent** (10) **Patent No.:** **US D864,153 S**
Hu (45) **Date of Patent:** **** Oct. 22, 2019**

(54) **EARPHONE**

FOREIGN PATENT DOCUMENTS

(71) Applicant: **Lihua Hu**, Shimen County (CN)
(72) Inventor: **Lihua Hu**, Shimen County (CN)

CN 304211522 * 7/2017
CN 304220468 * 7/2017
CN 3050492287 * 2/2019

(**) Term: **15 Years**

OTHER PUBLICATIONS

(21) Appl. No.: **29/645,403**
(22) Filed: **Apr. 25, 2018**
(51) **LOC (12) Cl.** **14-01**
(52) **U.S. Cl.**
USPC **D14/205**
(58) **Field of Classification Search**
USPC D14/205, 223; 181/129, 130, 135;
379/430, 431; 381/380, 381, 374, 74;
455/90.3, 575.1, 569.1
CPC H04R 1/10; H04R 25/00; H04R 1/1066;
H04R 1/1016; H04R 5/033; H04R
5/0335; H04R 1/1033
See application file for complete search history.

Bluetooth Headphones, JFBASE Premium Wireless Earphones w/Mic
150 mAh Battery 12 Hours Playtime IPX7 Waterproof Stereo
Noise-Cancelling Sport Earbuds Headsets for Running Workout
Gym https://www.amazon.com/dp/B078WCCL2T/ref=sspa_dk_detail_13?psc=1&pd_rd_i=B078 (Year: 2019).*

Primary Examiner — Paula Allen Greene
(74) *Attorney, Agent, or Firm* — Andrew C. Cheng

(57) **CLAIM**

The ornamental design for an earphone, as shown and described.

(56) **References Cited**

DESCRIPTION

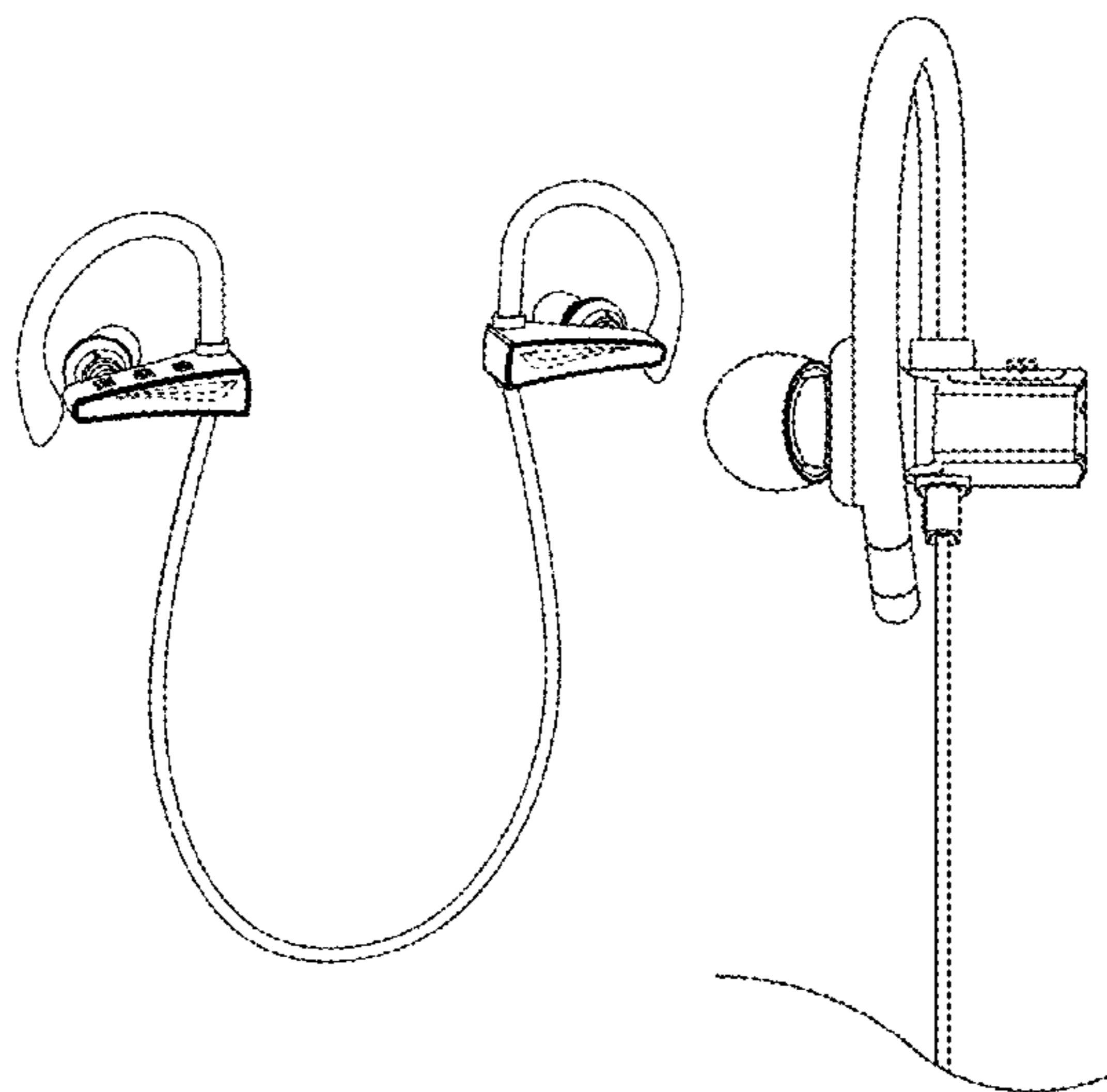
U.S. PATENT DOCUMENTS

D501,196 S * 1/2005 Dyer D14/205
D504,672 S * 5/2005 Hirano D14/205
D508,483 S * 8/2005 Suzuki D14/205
D510,085 S * 9/2005 Suzuki D14/223
D510,575 S * 10/2005 Leong D14/205
D512,991 S * 12/2005 Yano D14/223
D515,069 S * 2/2006 Naito D14/205
D518,816 S * 4/2006 Naito D14/205
D526,313 S * 8/2006 Murray D14/223
D542,267 S * 5/2007 Cha D14/206
D543,968 S * 6/2007 Wong D14/205
D575,772 S * 8/2008 Schultz D14/206
D584,283 S * 1/2009 Soetejo D14/205
D585,878 S * 2/2009 Jung D14/223
D593,075 S * 5/2009 Williams D14/223
D597,084 S * 7/2009 Gondo D14/223
D603,847 S * 11/2009 Chung D14/223
D604,722 S * 11/2009 Mistry D14/223

FIG. 1 is a front perspective view of an earphone showing my new design;
FIG. 2 is a front elevational view thereof, shown separately for the purpose of illustration;
FIG. 3 is a rear elevational view thereof;
FIG. 4 is a left side elevational view thereof;
FIG. 5 is a right side elevational view thereof;
FIG. 6 is a top plan view thereof;
FIG. 7 is a bottom plan view thereof;
FIG. 8 is a perspective view thereof;
FIG. 9 is a rear perspective view thereof;
FIG. 10 is a top perspective view thereof;
FIG. 11 is a bottom perspective view thereof; and,
FIG. 12 is a front perspective view thereof.
The broken lines depict environment that forms no part of the claimed design.

(Continued)

1 Claim, 12 Drawing Sheets



(56)

References Cited

U.S. PATENT DOCUMENTS

7,708,110 B2 *	5/2010	Leong	A61F 11/08 128/867	D718,283 S *	11/2014	Thompson	D14/223
D617,778 S *	6/2010	Birger	D14/223	D725,637 S *	3/2015	Nakajima	D14/223
D625,297 S *	10/2010	Tseng	D14/223	D743,946 S *	11/2015	Brunner	D14/223
D629,397 S *	12/2010	Hensen	H04R 5/033 D14/223	D745,862 S *	12/2015	Otani	D14/223
D631,470 S *	1/2011	Yoneyama	D14/223	D761,770 S *	7/2016	Kanou	D14/206
D631,960 S *	2/2011	Myers	A61M 37/0076 D24/133	D775,610 S *	1/2017	Nakajima	D14/223
D635,960 S *	4/2011	Gondo	D14/223	D782,996 S *	4/2017	Zhu	D14/205
D639,787 S *	6/2011	Quek	D14/223	D806,687 S *	1/2018	Rodriguez	D14/223
D640,242 S *	6/2011	Fahrendorff	D14/223	D807,331 S *	1/2018	Morimoto	D14/223
D656,490 S *	3/2012	Birger	D14/223	D810,053 S *	2/2018	Otani	D14/223
D671,523 S *	11/2012	Daniel	D14/206	D810,719 S *	2/2018	Nagamine	D14/205
D685,768 S *	7/2013	Mogili	D14/223	D813,194 S *	3/2018	Loh	D14/205
D695,275 S *	12/2013	Chee	D14/223	D816,060 S *	4/2018	Wei	D14/205
D710,333 S *	8/2014	Davies	H04R 1/10 D14/223	D838,692 S *	1/2019	Fu	D14/223
D712,382 S *	9/2014	Brunner	D14/223	D844,588 S *	4/2019	Brunner	D14/223
D713,385 S *	9/2014	Burgett	D14/223	2003/0044038 A1 *	3/2003	Shirata	H04R 1/105 381/381
					2007/0230735 A1 *	10/2007	Sung	H04R 1/1058 381/374
					2009/0285434 A1 *	11/2009	Williams	H04R 1/1091 381/375
					2010/0166208 A1 *	7/2010	Kato	H04R 1/1033 381/74

* cited by examiner

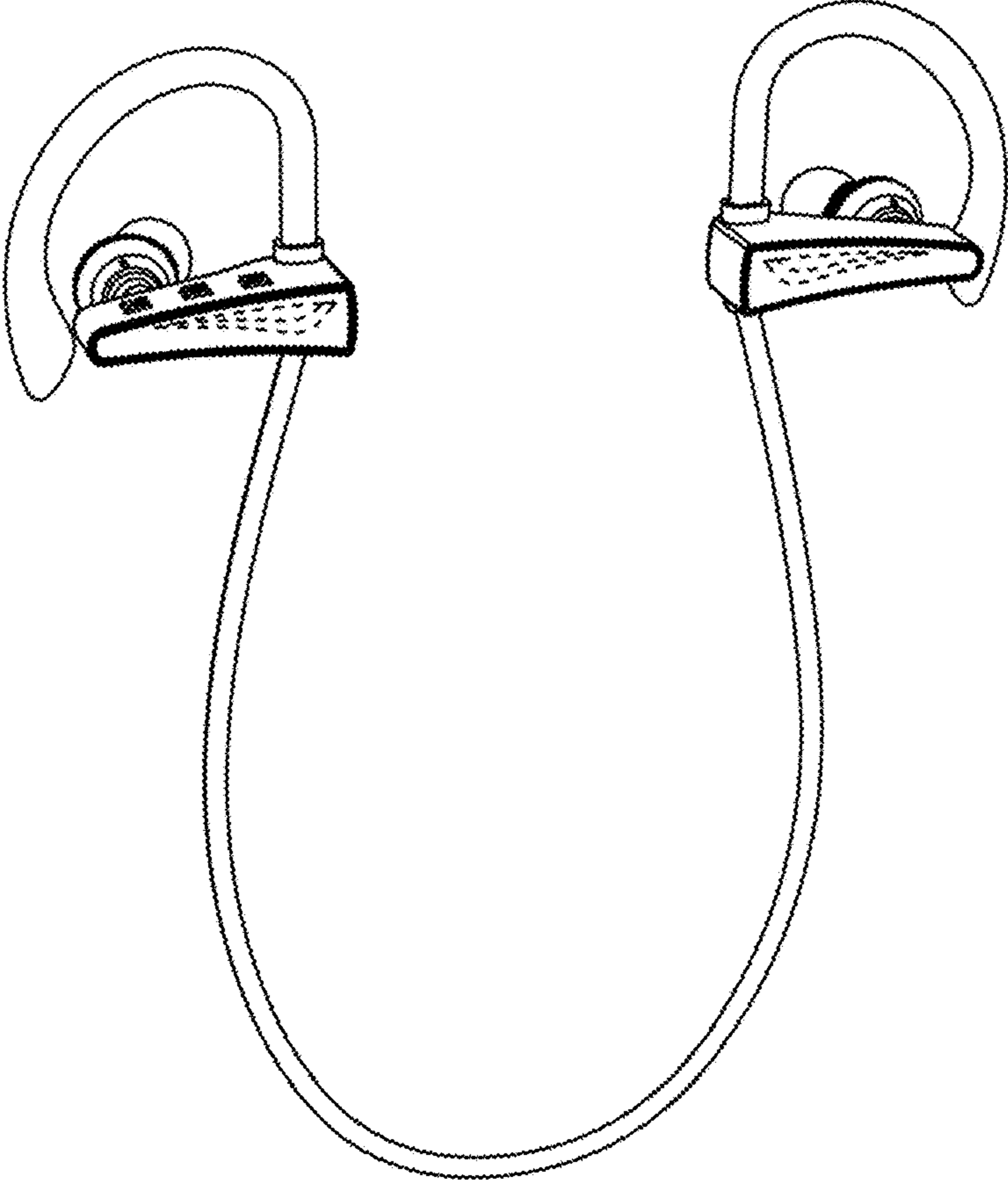


FIG. 1

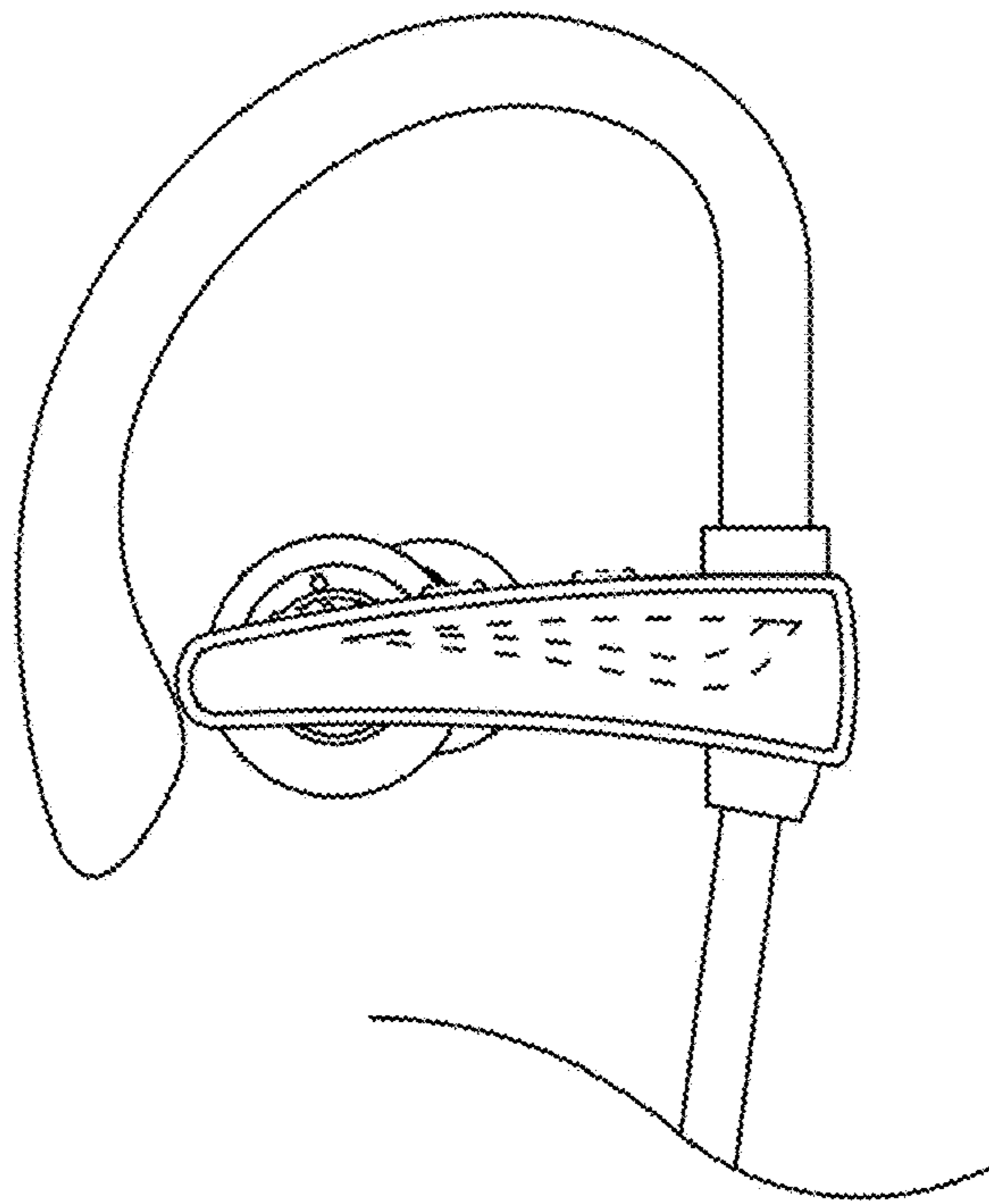


FIG. 2

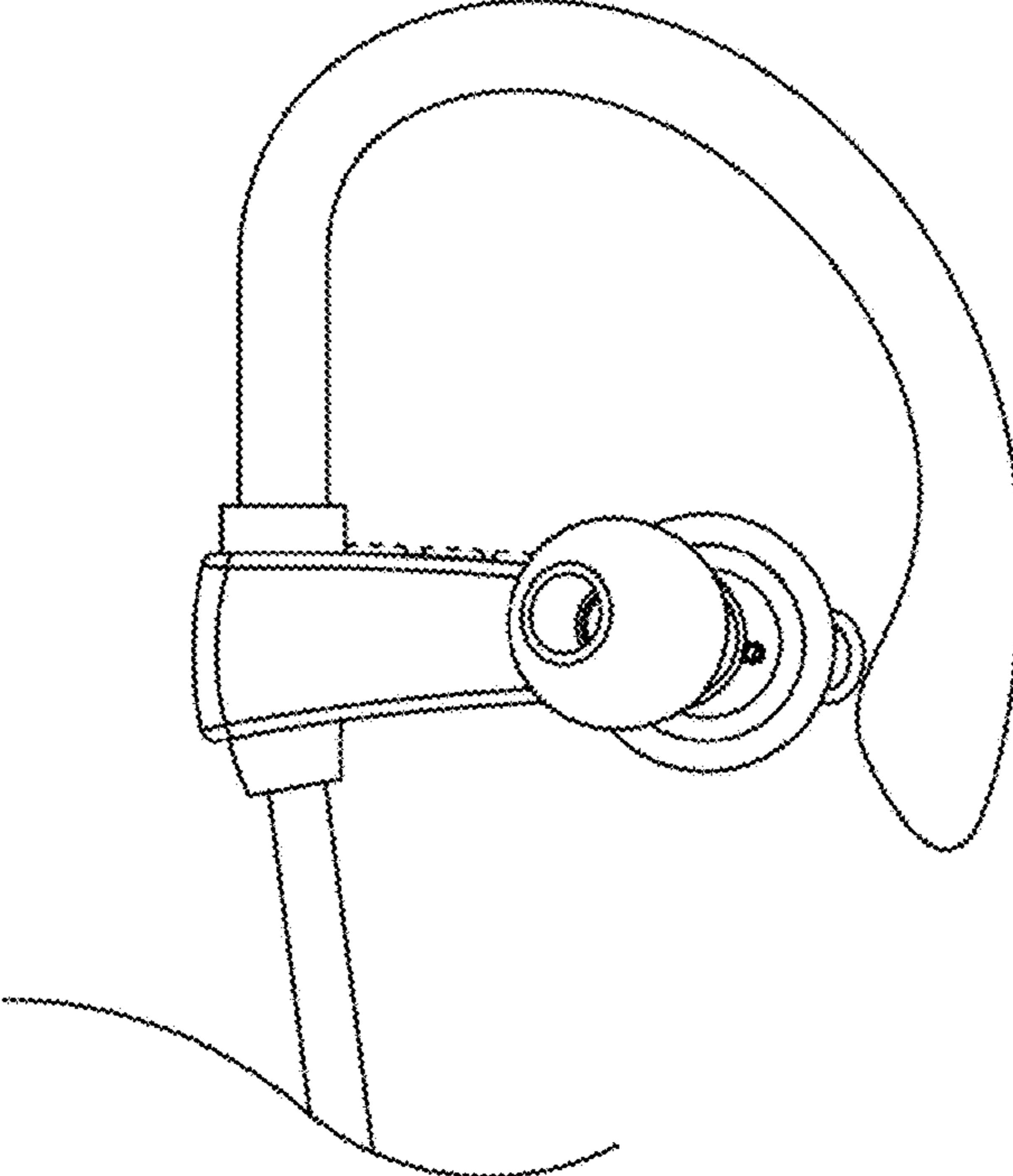


FIG. 3

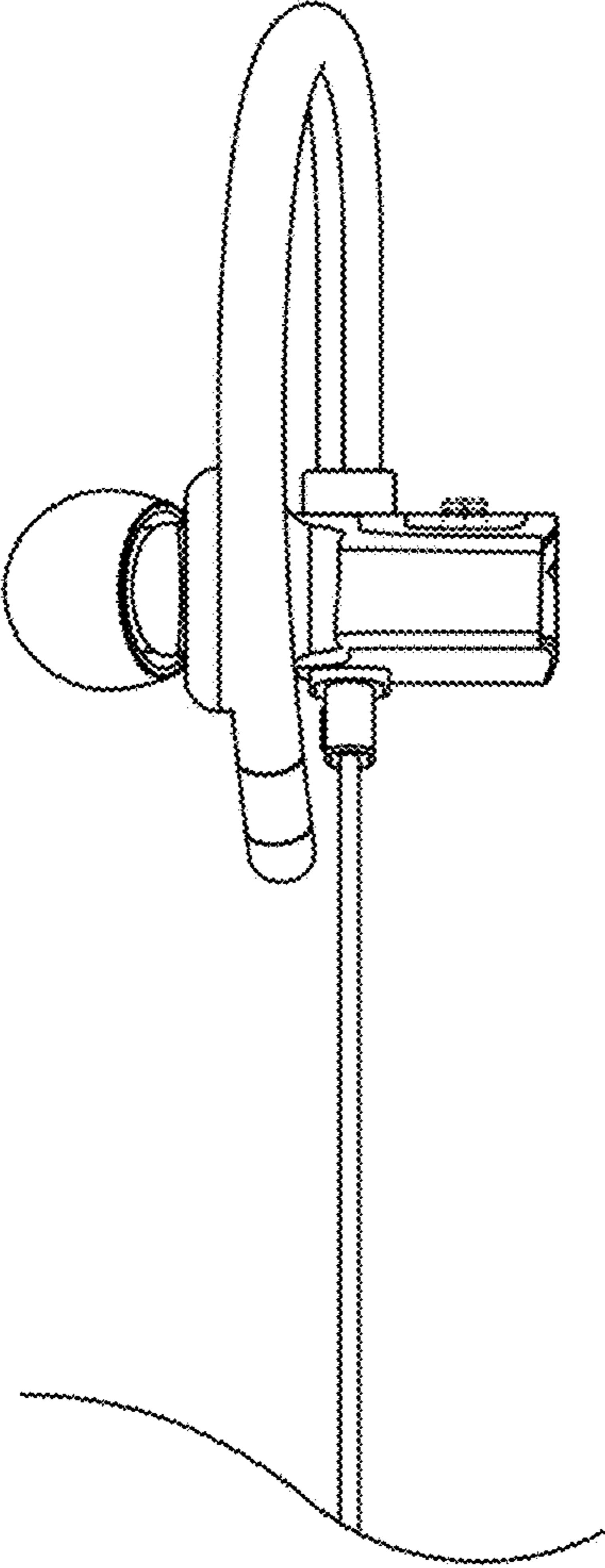


FIG. 4

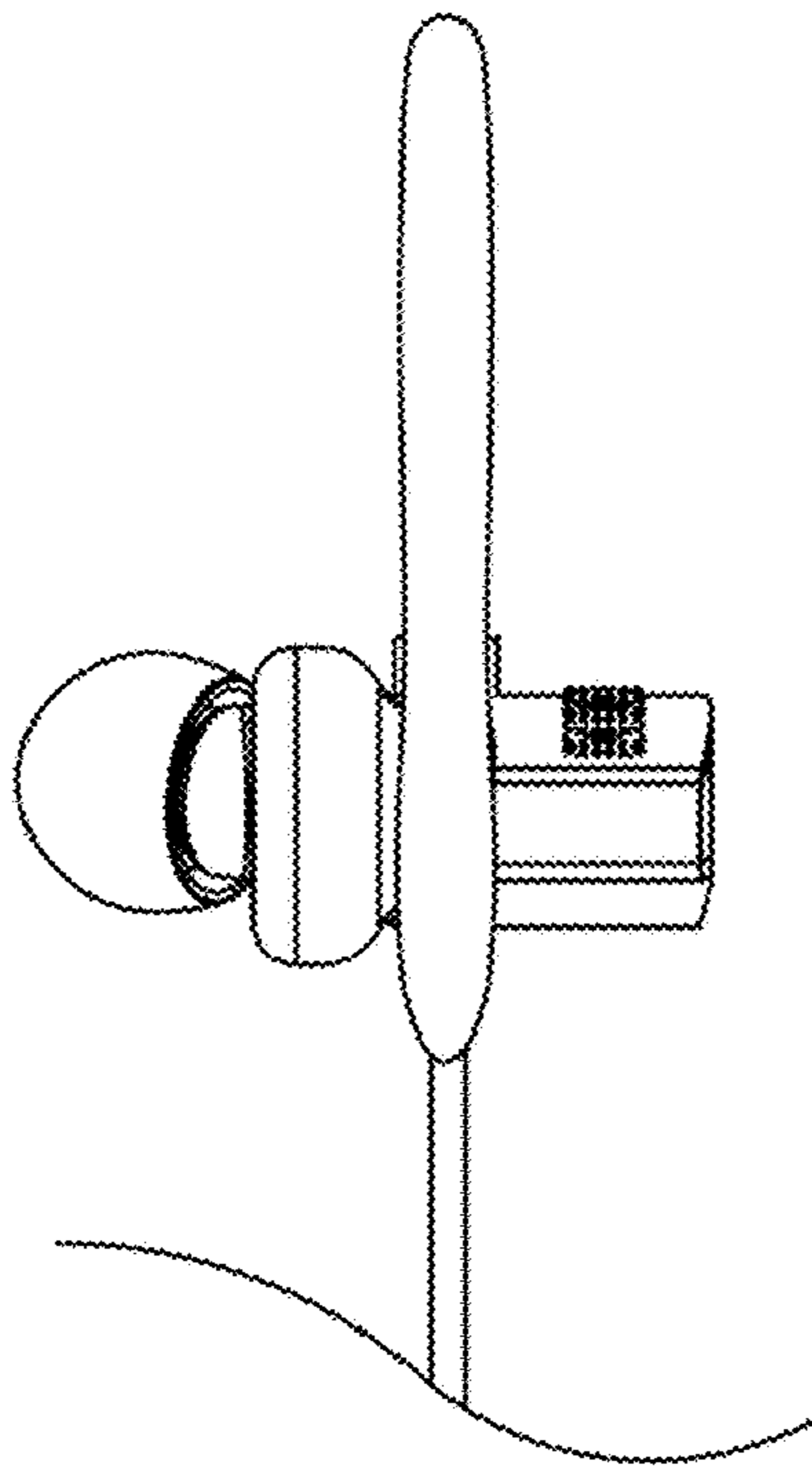


FIG. 5

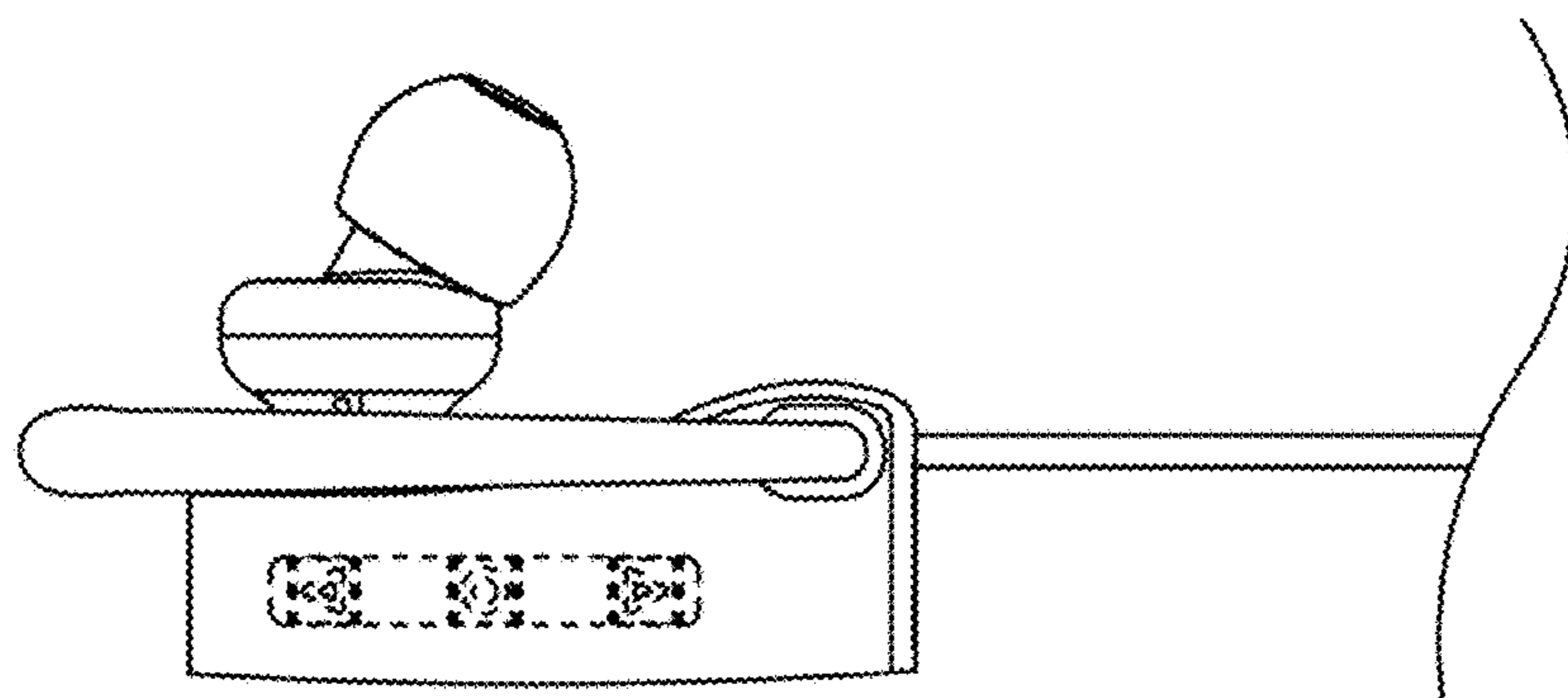


FIG. 6

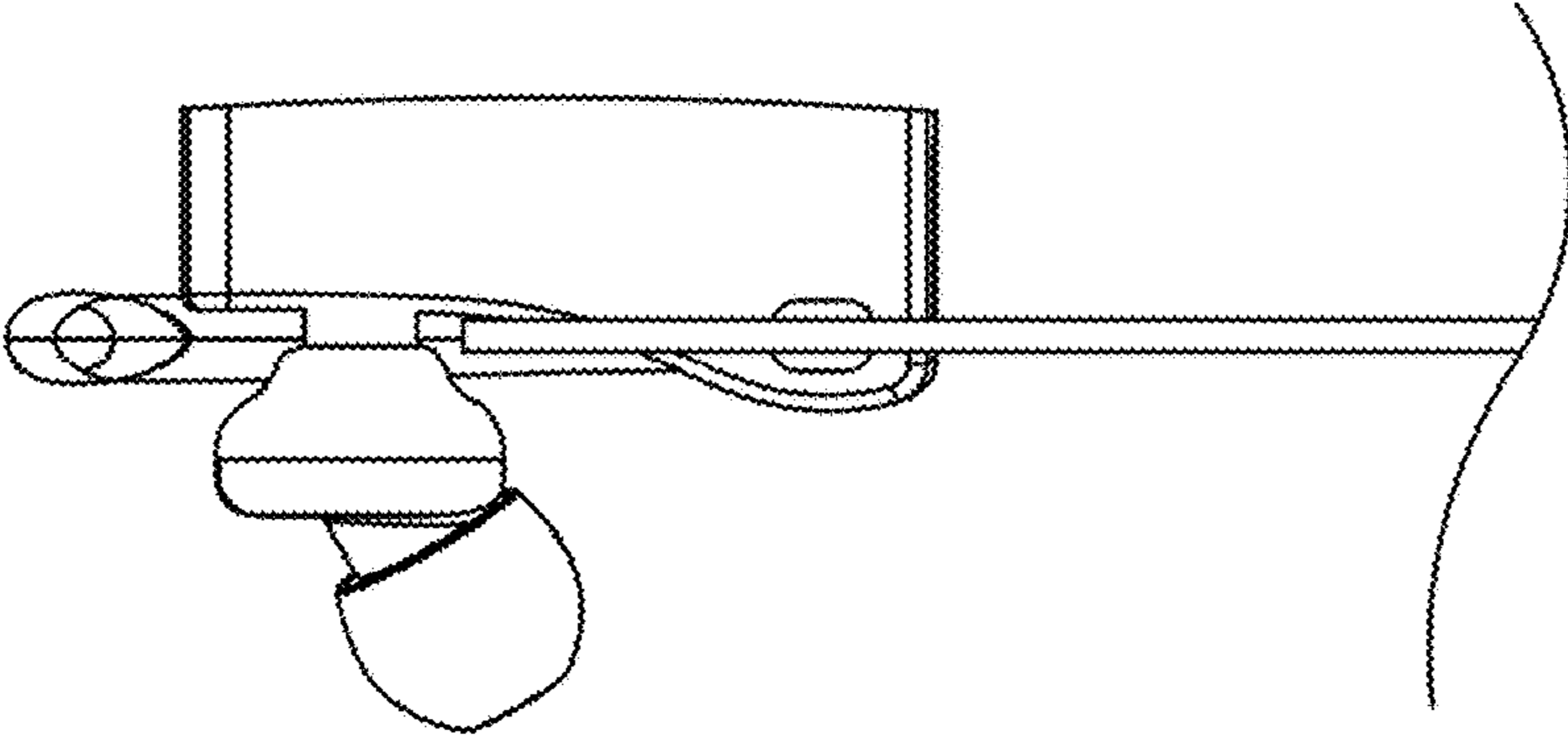


FIG. 7

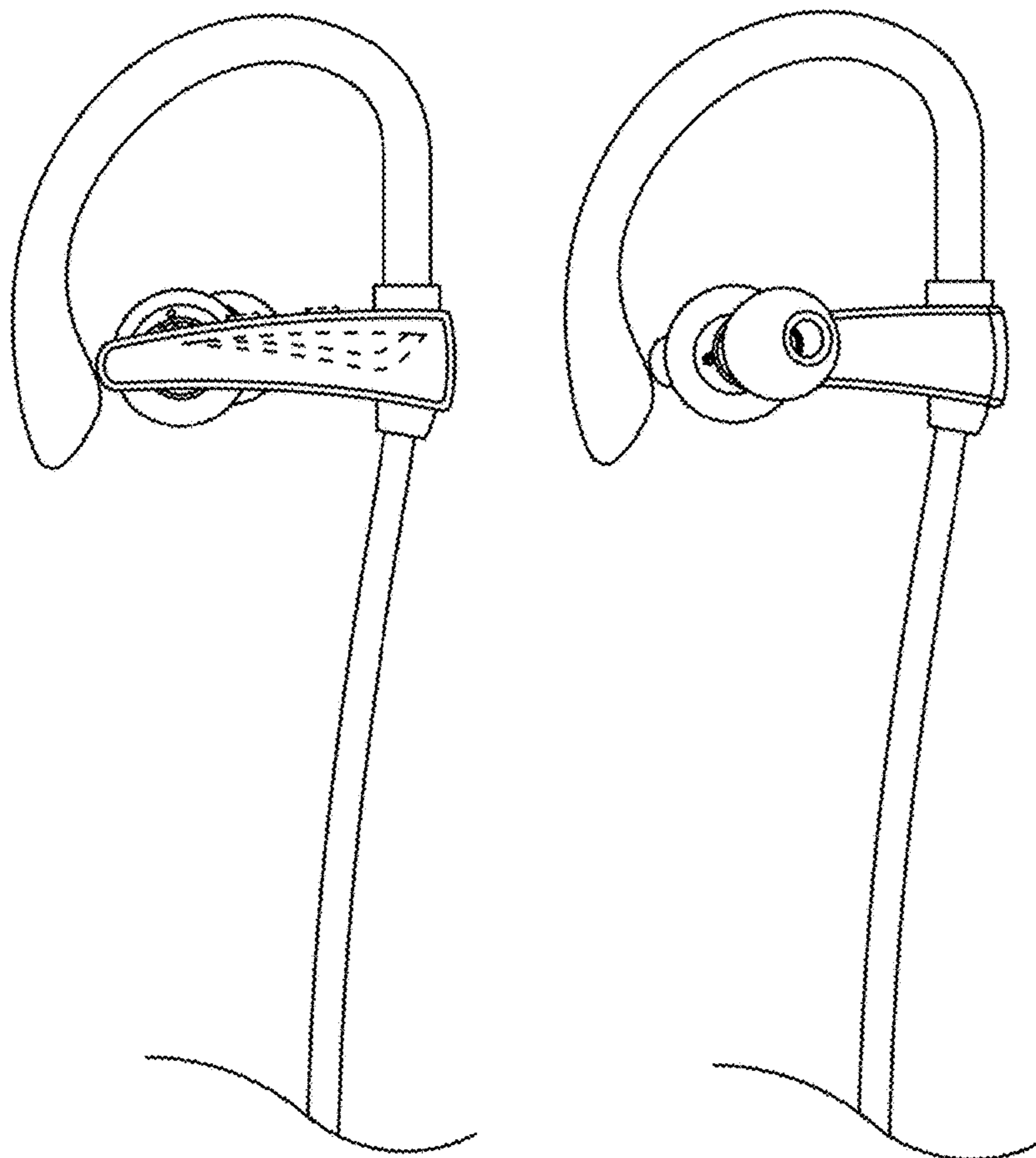


FIG. 8

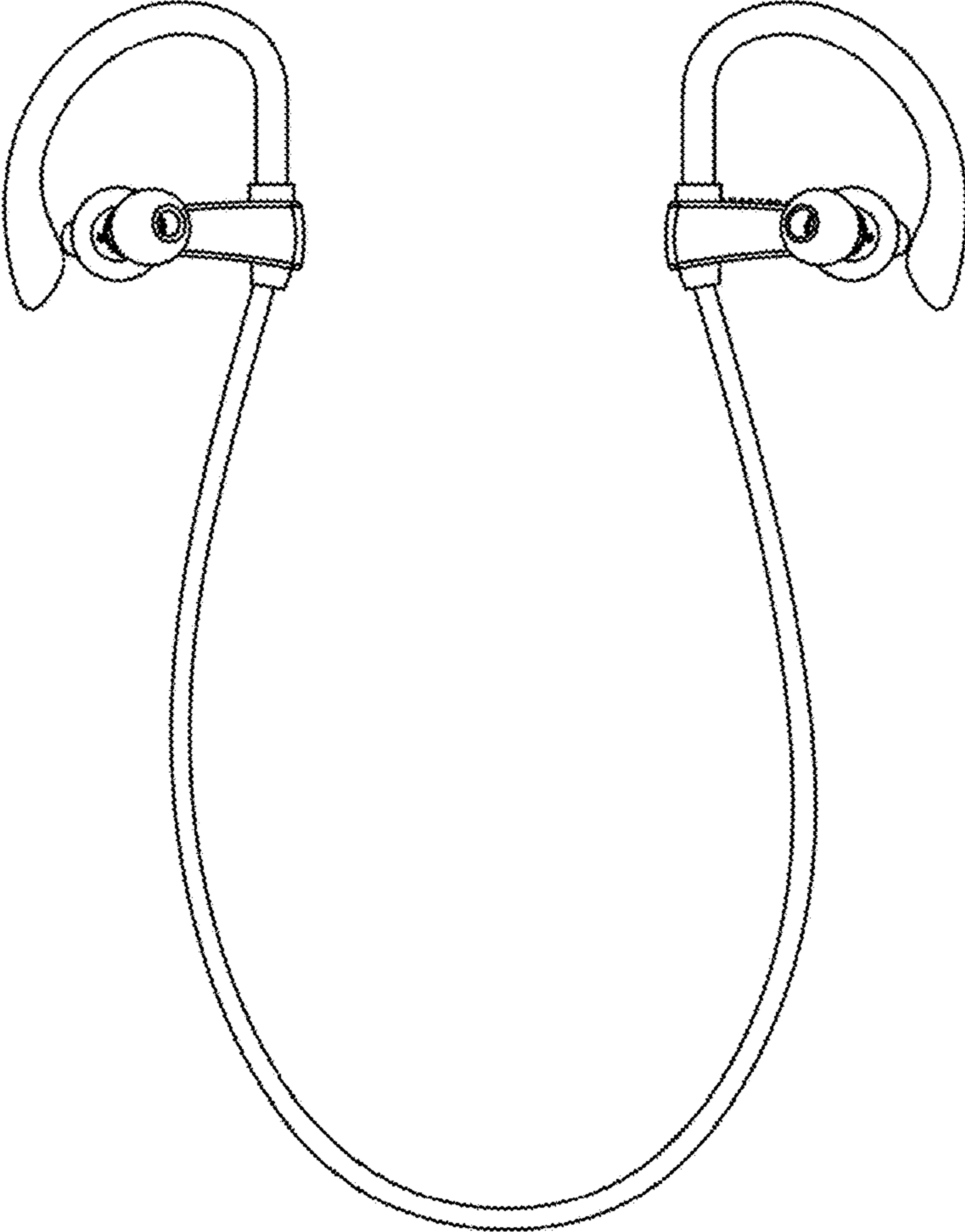


FIG. 9

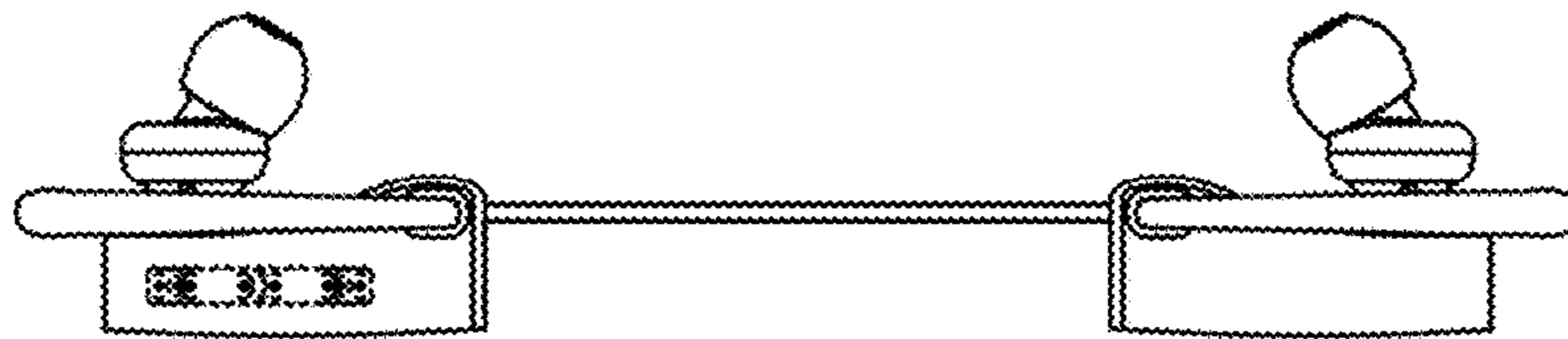


FIG. 10

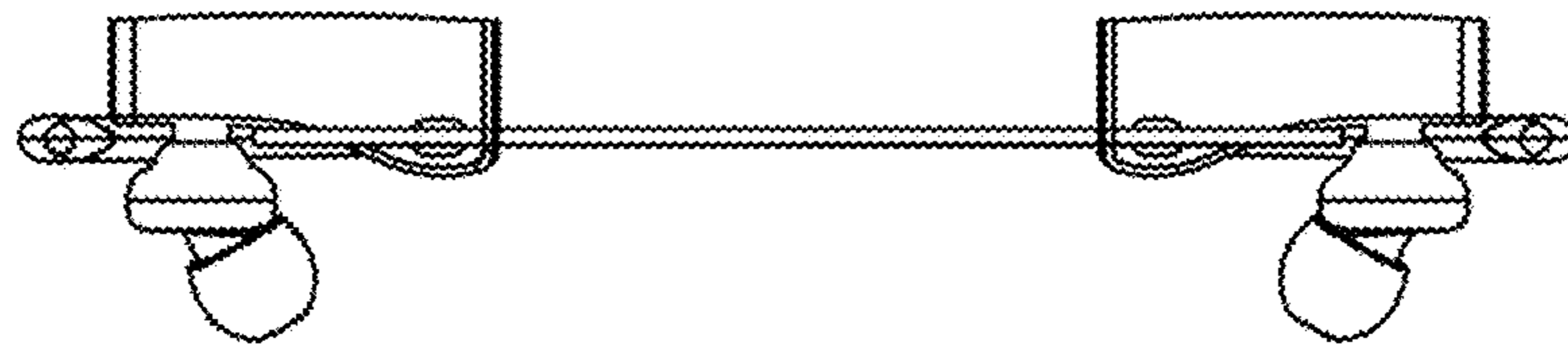


FIG. 11

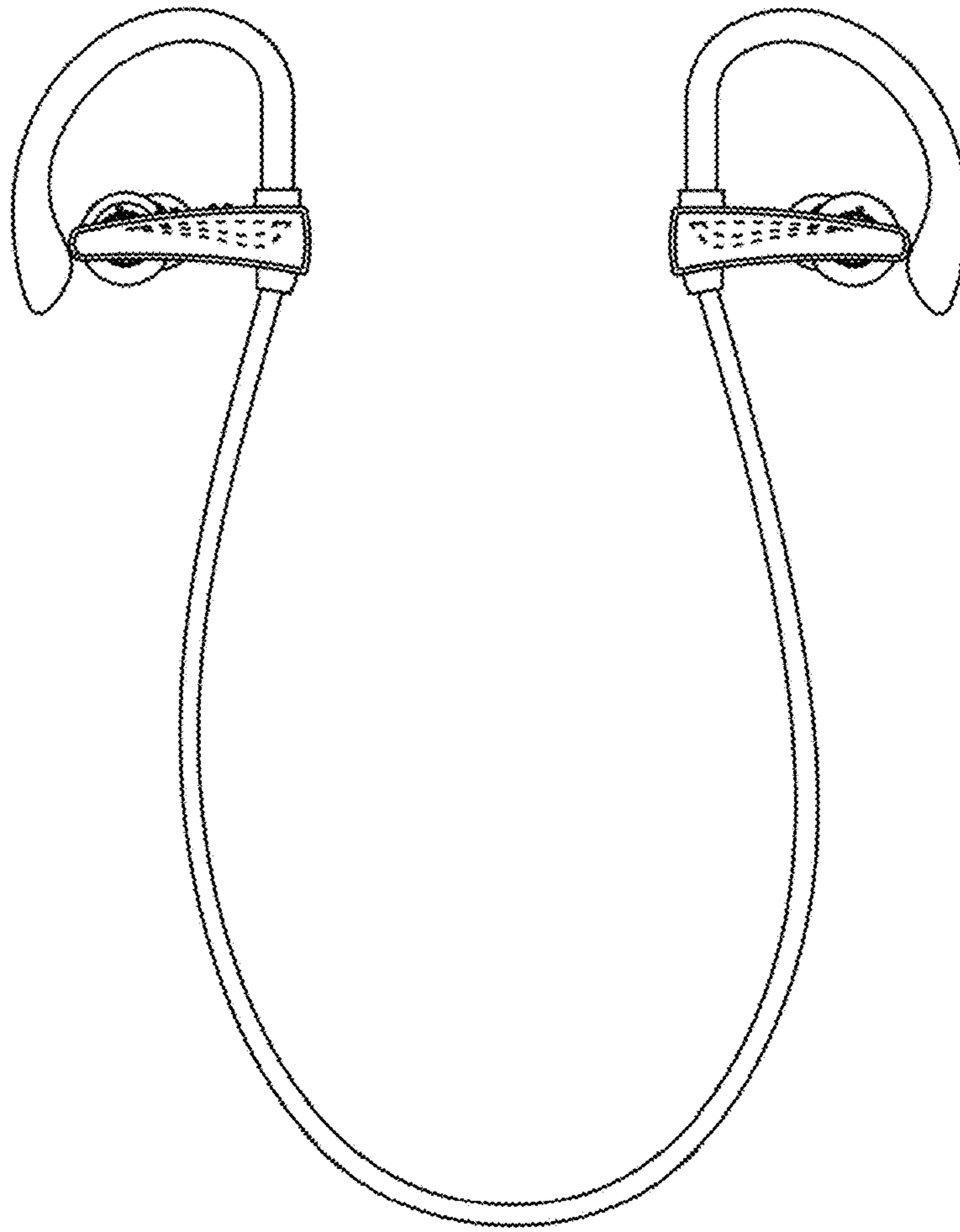


FIG. 12