

US00D864151S

(12) **United States Design Patent** (10) **Patent No.:** **US D864,151 S**  
**Zhang et al.** (45) **Date of Patent:** **\*\* \*Oct. 22, 2019**

(54) **EARPHONES**

(71) Applicant: **Shenzhen Fogaap Technologies Co., Ltd.**, Shenzhen, Guangdong Province (CN)

(72) Inventors: **Haixing Zhang**, Shenzhen (CN);  
**Lianpeng Wu**, Shenzhen (CN)

(73) Assignee: **Shenzhen Fogaap Technologies Co., Ltd.** (CN)

(\*) Notice: This patent is subject to a terminal disclaimer.

(\*\*) Term: **15 Years**

(21) Appl. No.: **29/631,618**

(22) Filed: **Dec. 30, 2017**

(30) **Foreign Application Priority Data**

Oct. 20, 2017 (CN) ..... 2017 3 0503191

(51) **LOC (12) Cl.** ..... **14-01**

(52) **U.S. Cl.**  
USPC ..... **D14/205**

(58) **Field of Classification Search**

USPC ..... D14/205, 223; D13/103, 107, 184;  
D3/201, 319, 203.1, 294, 218; D9/721,  
D9/456, 424, 423, 715, 418, 430, 432;  
181/129, 130, 135; 379/430, 431;  
381/380, 381; 455/90.3, 575.1, 569.1;  
220/4.23, 377, 200, 523, 844; 206/320,  
206/525, 775, 0.5; 320/108; D24/174;  
128/86, 865, 866, 864

CPC ..... B65D 5/00; H04R 1/10; H04R 1/1016;  
H04R 1/1066; H04R 5/033; H04R 5/0335

See application file for complete search history.

(56) **References Cited**

U.S. PATENT DOCUMENTS

462,990	A *	11/1891	Oppenheimer	424/451
1,087,843	A *	2/1914	Smith	A61K 9/2072
				101/35
2,670,737	A *	3/1954	Cantor	A61F 11/08
				128/864
2,826,484	A *	3/1958	Buehler	C02F 1/688
				206/0.5
3,508,678	A *	4/1970	Noren	A61J 3/071
				220/785
3,664,495	A *	5/1972	Graham	A61J 3/071
				220/8
3,702,653	A *	11/1972	Mottin et al.	A61J 1/03
				206/459.5
3,822,816	A *	7/1974	Doyle	B25C 5/0257
				227/119
D235,483	S *	6/1975	Leight	D24/106
D245,202	S *	7/1977	Asker	128/864
4,539,708	A *	9/1985	Norris	H04B 1/088
				455/100
D281,033	S *	10/1985	Mohri	D3/295

(Continued)

*Primary Examiner* — Paula Allen Greene

(74) *Attorney, Agent, or Firm* — PROI Intellectual Property US

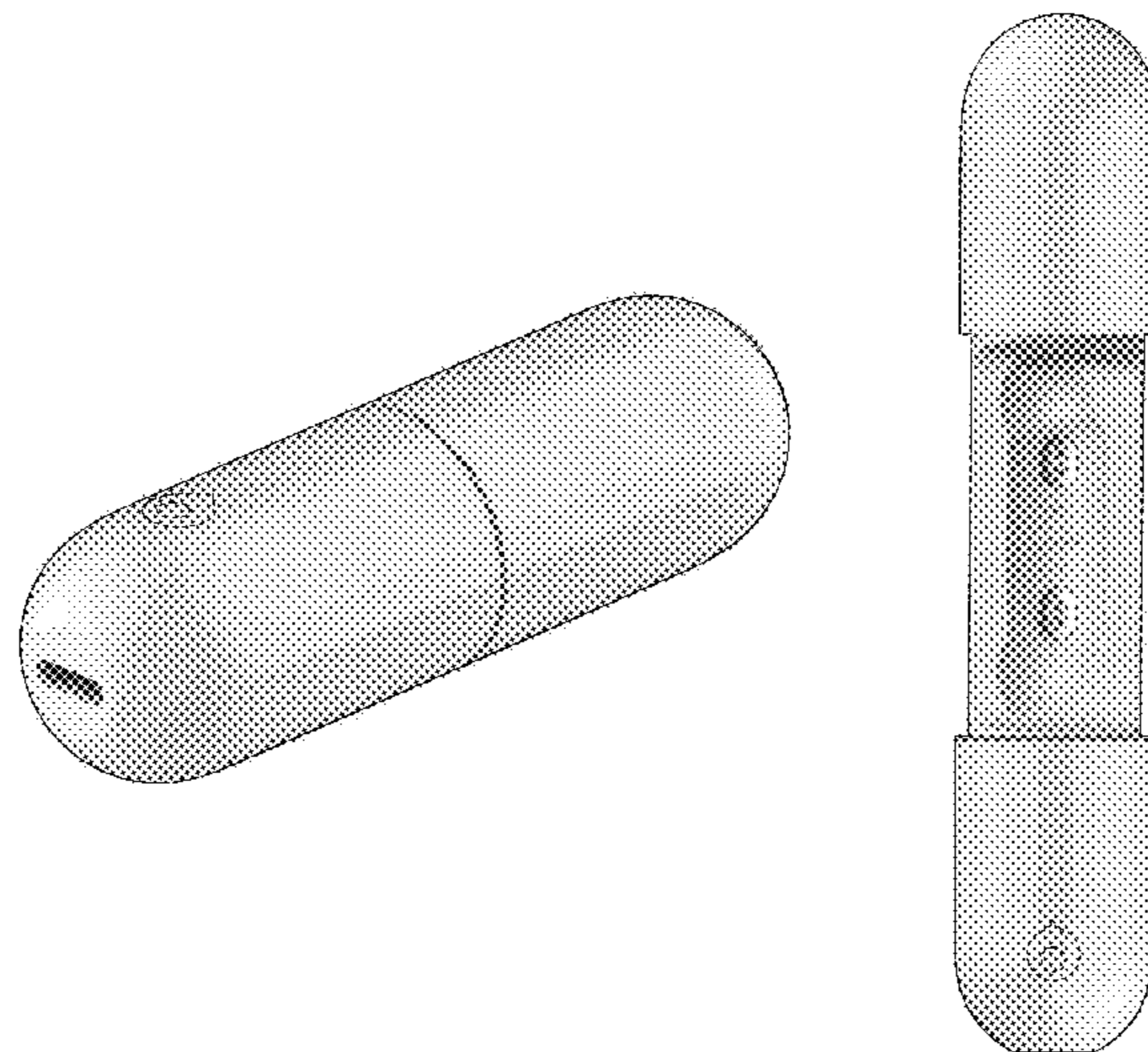
(57) **CLAIM**

The ornamental design for earphones, as shown and described.

**DESCRIPTION**

FIG. 1 is a perspective view of earphones;  
FIG. 2 is a front view thereof;  
FIG. 3 is a rear view thereof;  
FIG. 4 is a top view thereof;  
FIG. 5 is a bottom view thereof;  
FIG. 6 is a disassembled front view thereof;  
FIG. 7 is a disassembled perspective view thereof; and,  
FIG. 8 is a disassembled front view thereof in use.  
The broken lines on the drawings depict environment that forms no part of the claimed design.

**1 Claim, 8 Drawing Sheets**



(56)

References Cited

U.S. PATENT DOCUMENTS

4,822,618 A \* 4/1989 Schweiger ..... A61J 3/071  
 424/453  
 D333,917 S \* 3/1993 Daido ..... D3/218  
 5,314,696 A \* 5/1994 Paulos ..... A61J 3/07  
 424/451  
 D361,066 S \* 8/1995 Langhorn ..... D14/142  
 D473,859 S \* 4/2003 Rivera ..... D14/223  
 6,656,501 B1 \* 12/2003 Cooker ..... A61K 9/4808  
 424/400  
 D518,727 S \* 4/2006 Haley ..... D22/116  
 D541,412 S \* 4/2007 Benner ..... D24/106  
 D548,325 S \* 8/2007 Benner ..... D24/106  
 7,264,081 B2 \* 9/2007 Bruck ..... A61F 11/08  
 181/129  
 D584,398 S \* 1/2009 Benner ..... D24/106  
 D595,837 S \* 7/2009 Benner ..... D24/106  
 D598,374 S \* 8/2009 Sasada ..... D13/108  
 D605,182 S \* 12/2009 Fagnot ..... D14/223  
 D614,168 S \* 4/2010 Rogers ..... D14/206  
 D639,280 S \* 6/2011 Hayes ..... D14/223  
 D654,056 S \* 2/2012 Hoggarth ..... D14/205  
 D656,922 S \* 4/2012 Massaro ..... D14/223  
 D662,045 S \* 6/2012 Gotou ..... D13/107  
 D664,920 S \* 8/2012 Huang ..... D13/107

D680,102 S \* 4/2013 Chen ..... D14/223  
 8,731,227 B2 \* 5/2014 Hwang ..... H04R 1/1091  
 181/135  
 D751,053 S \* 3/2016 Shin ..... D14/205  
 9,402,120 B2 \* 7/2016 Linden ..... H04R 1/1025  
 9,438,989 B2 \* 9/2016 Chu ..... H04R 1/2811  
 D772,572 S \* 11/2016 Palmborg ..... D3/201  
 D772,840 S \* 11/2016 Forslund ..... D14/205  
 D776,634 S \* 1/2017 Lee ..... D14/205  
 D792,378 S \* 7/2017 Brunner ..... D14/223  
 D795,225 S \* 8/2017 Sumii ..... D14/223  
 D804,445 S \* 12/2017 Golnik ..... D14/205  
 D804,455 S \* 12/2017 Hsieh ..... D14/223  
 D815,034 S \* 4/2018 Zhao ..... D13/107  
 D821,970 S \* 7/2018 Loermann ..... D13/107  
 2004/0251871 A1 \* 12/2004 Dvorak ..... H02J 7/025  
 320/108  
 2007/0154042 A1 \* 7/2007 Buckley ..... B65D 85/38  
 381/322  
 2010/0027249 A1 \* 2/2010 Connor ..... F21L 4/08  
 362/183  
 2011/0110552 A1 \* 5/2011 Pang ..... H04R 1/1033  
 381/374  
 2012/0177240 A1 \* 7/2012 Hwang ..... H04R 1/1058  
 381/379  
 2017/0064433 A1 \* 3/2017 Hirsch ..... H04R 1/1041

\* cited by examiner

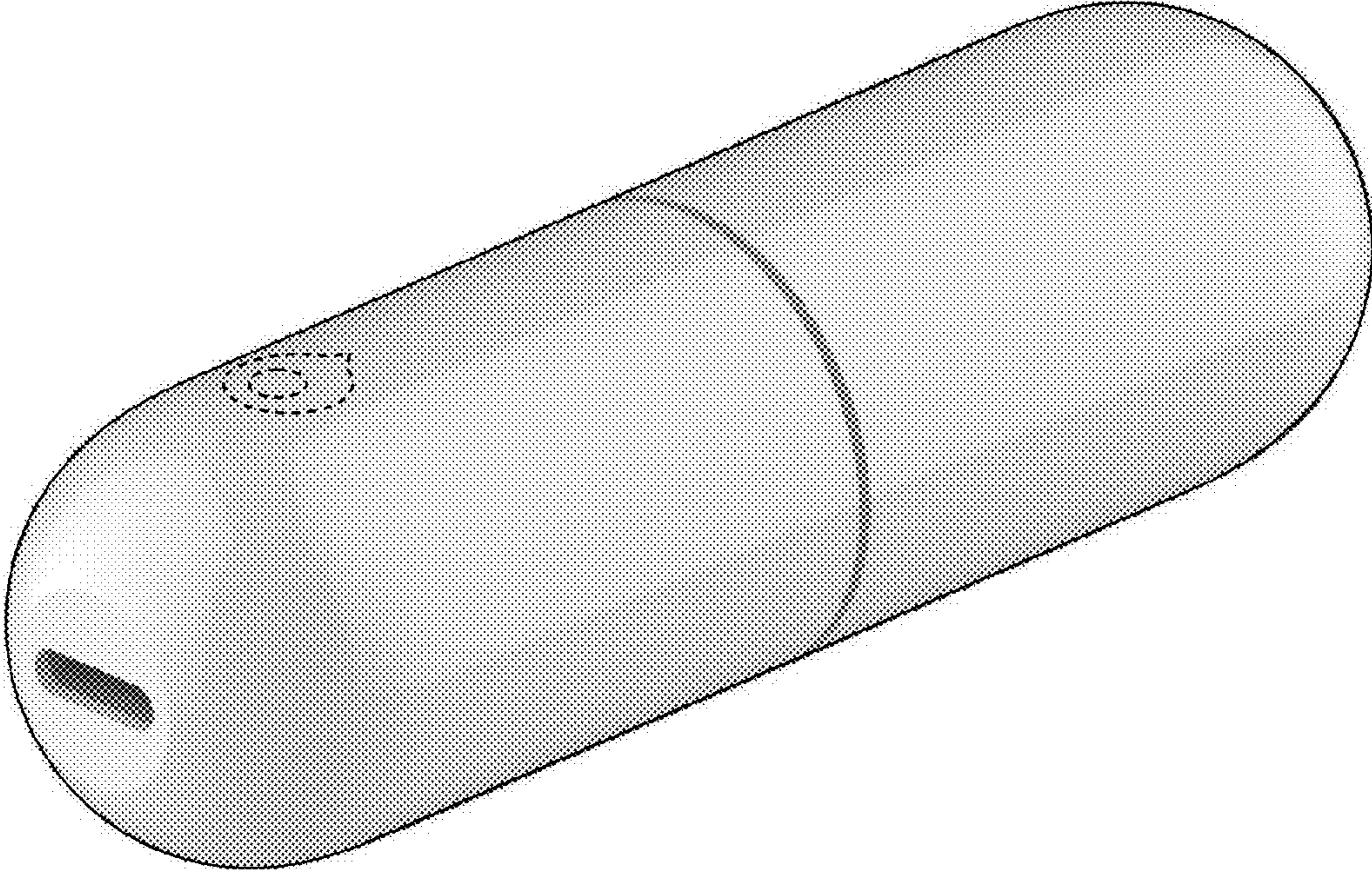


FIG. 1



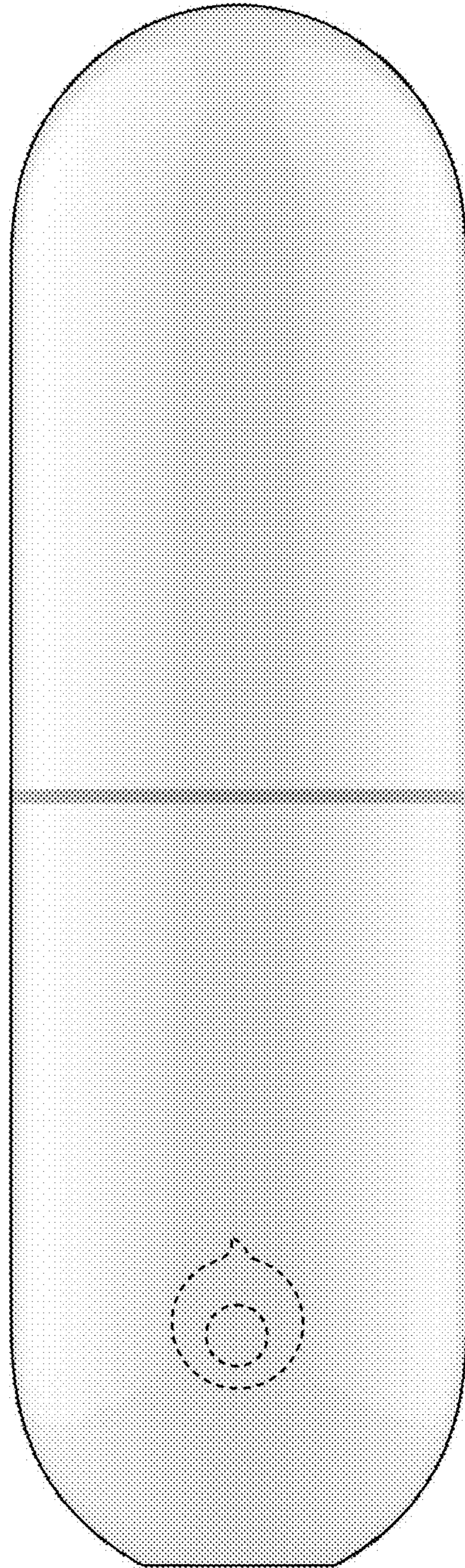


FIG. 2

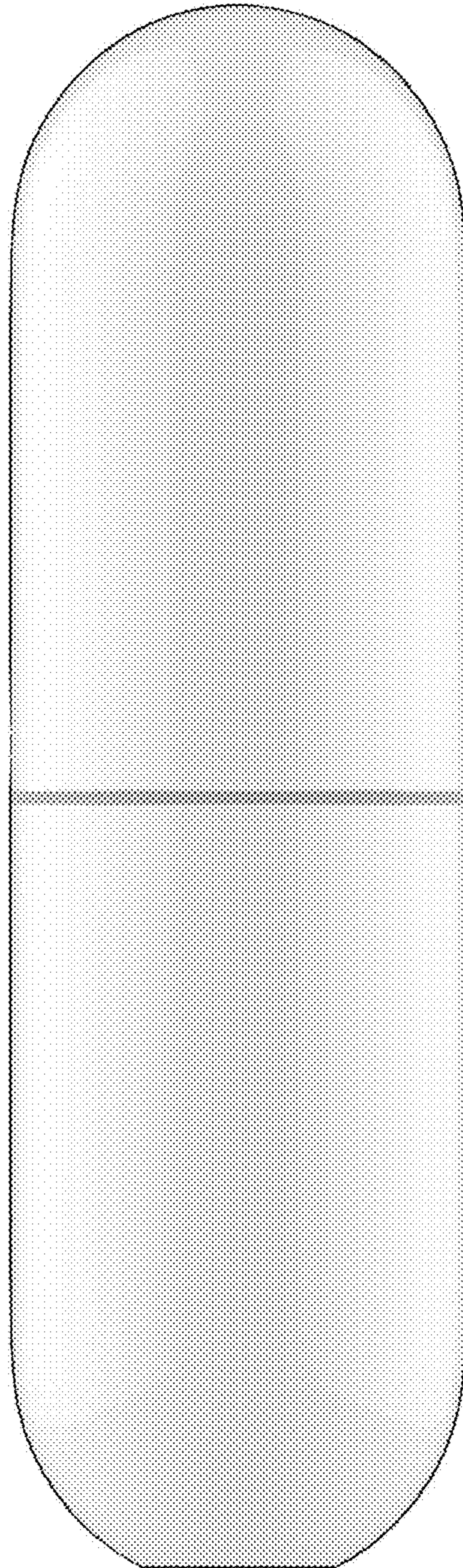


Fig. 3

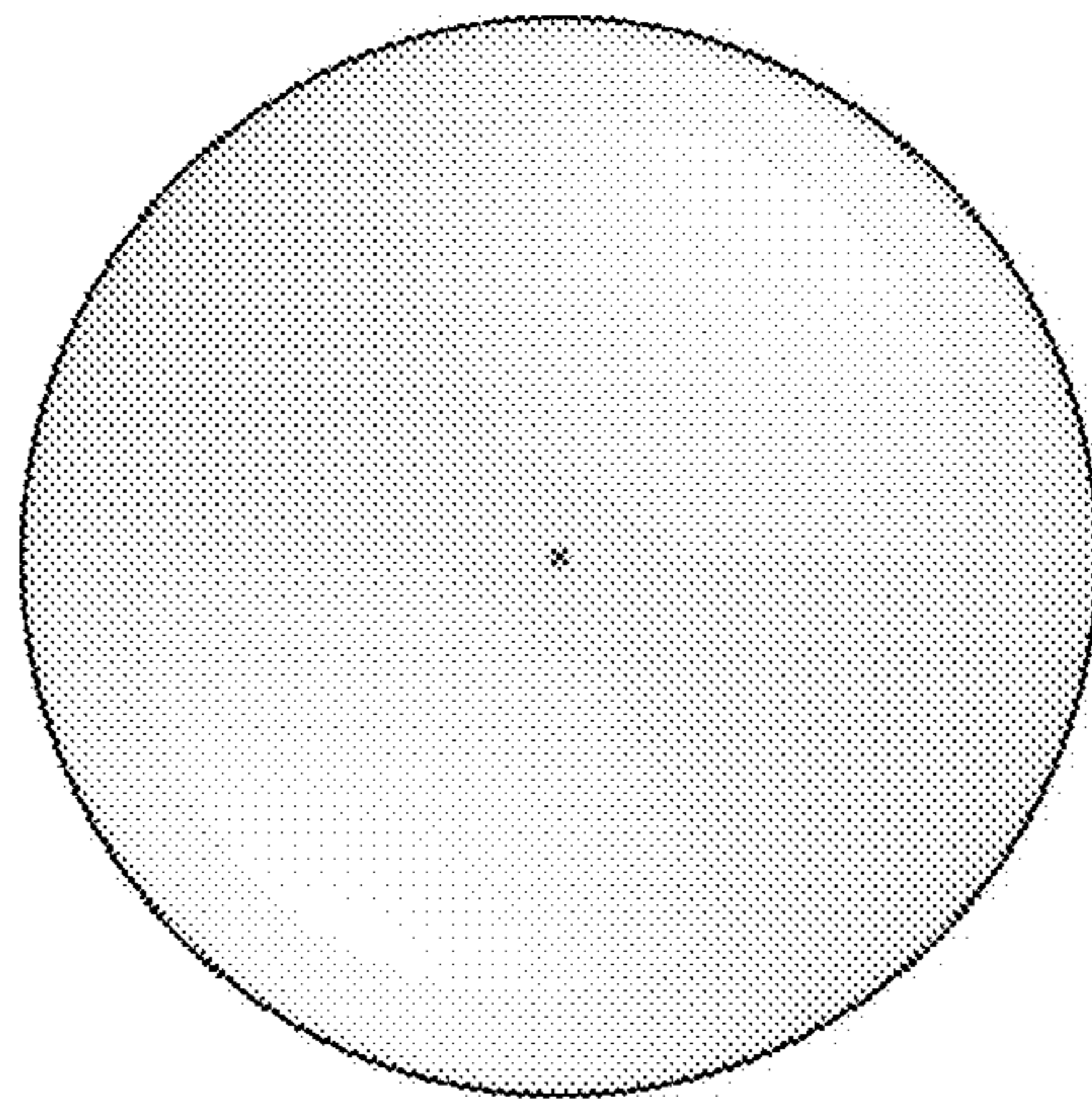


Fig. 4

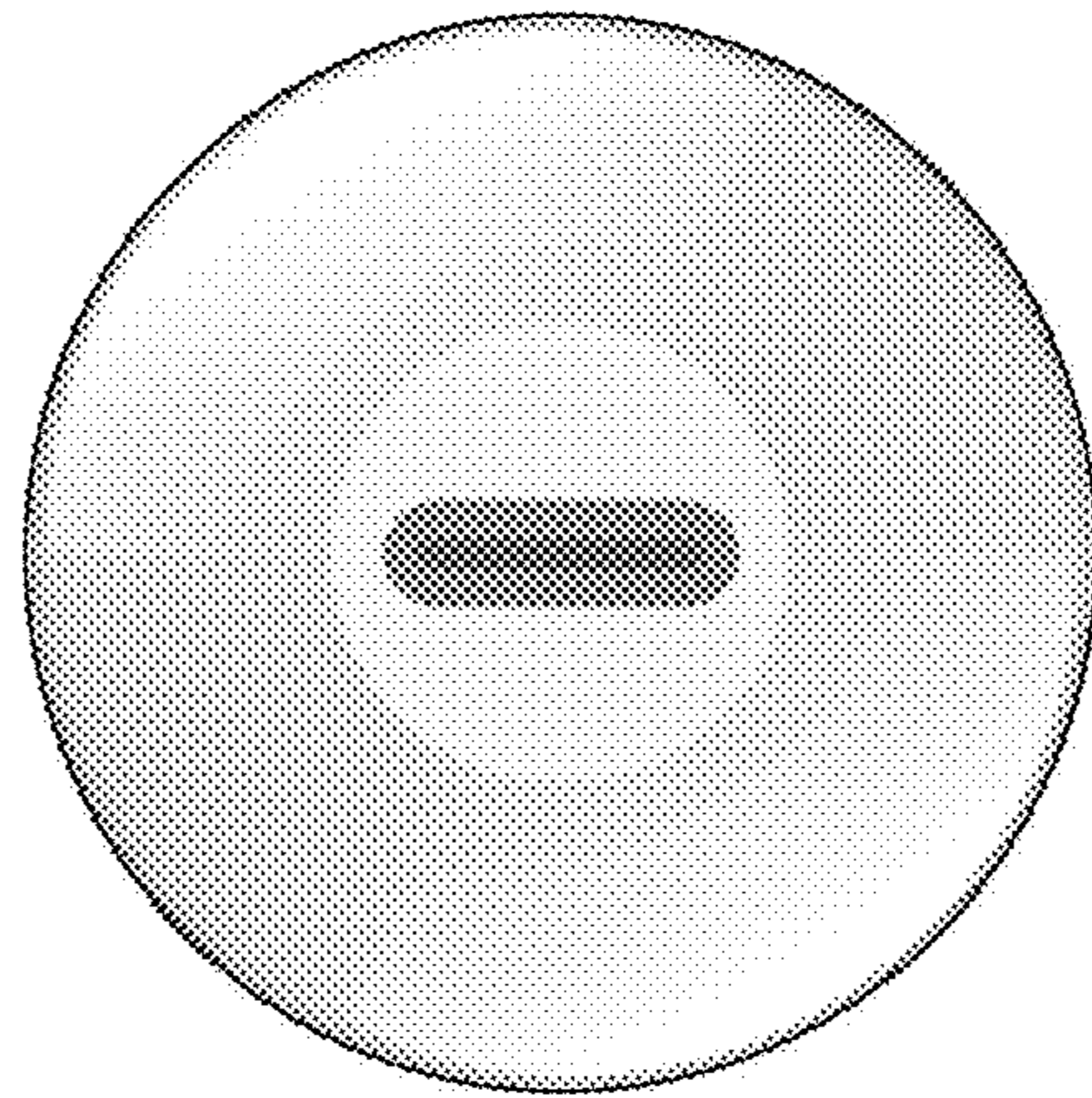


Fig. 5



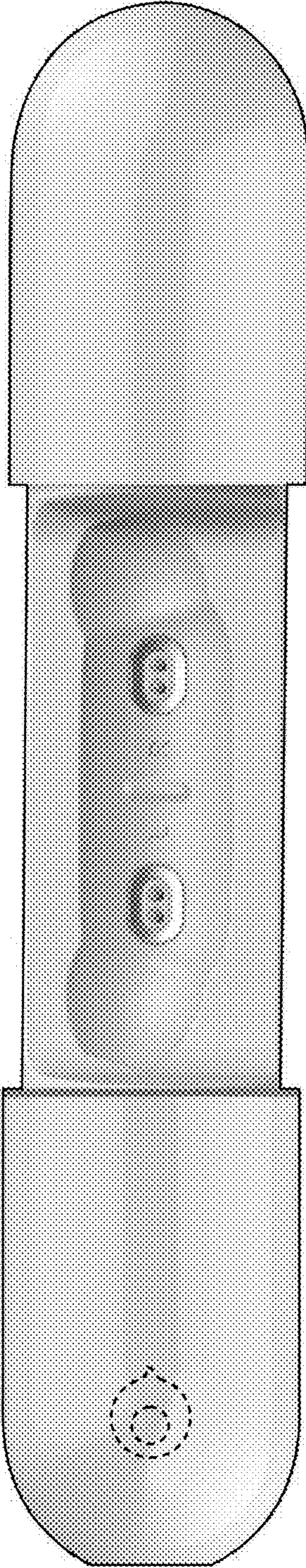


FIG. 6



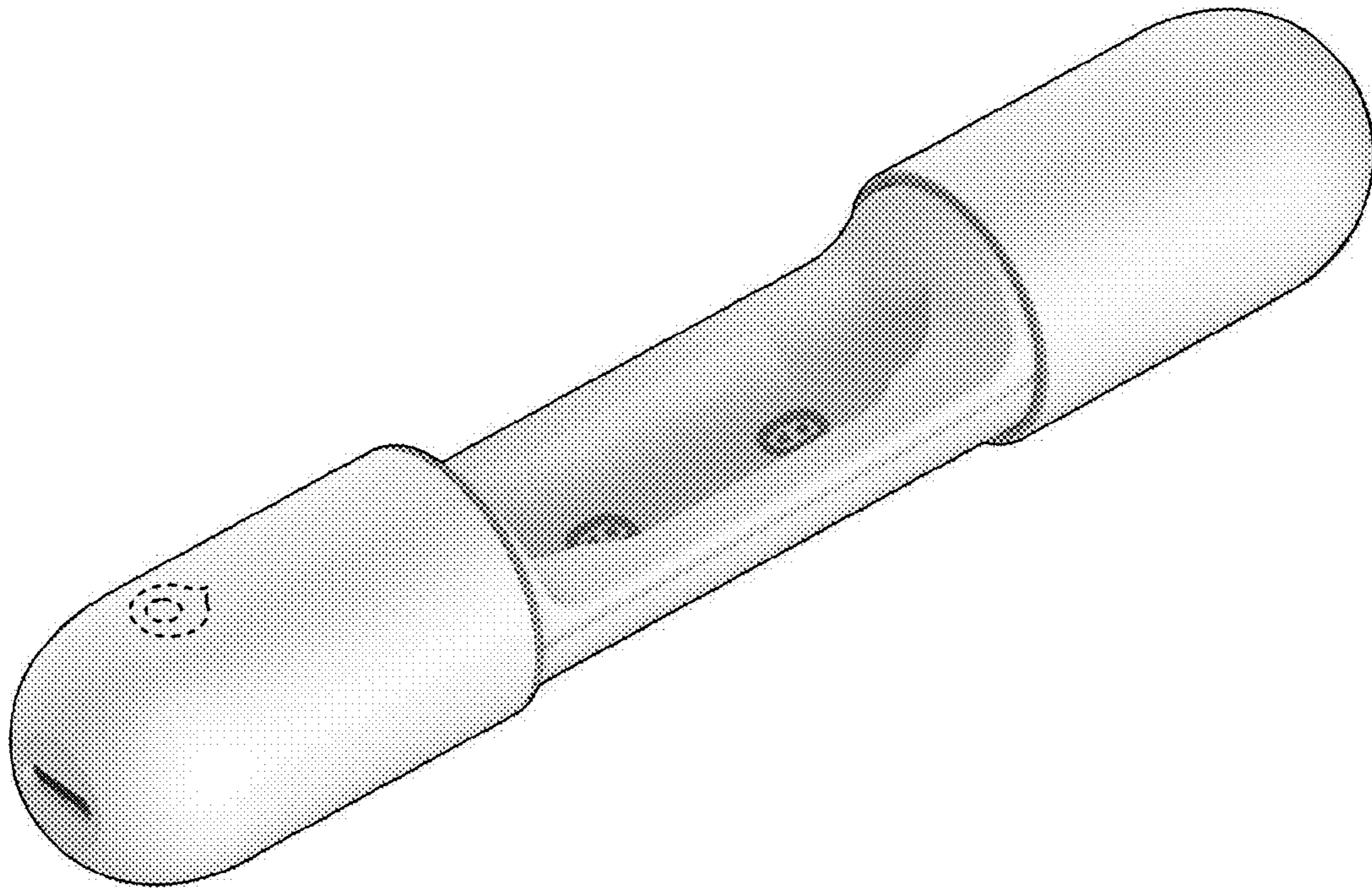


FIG. 7

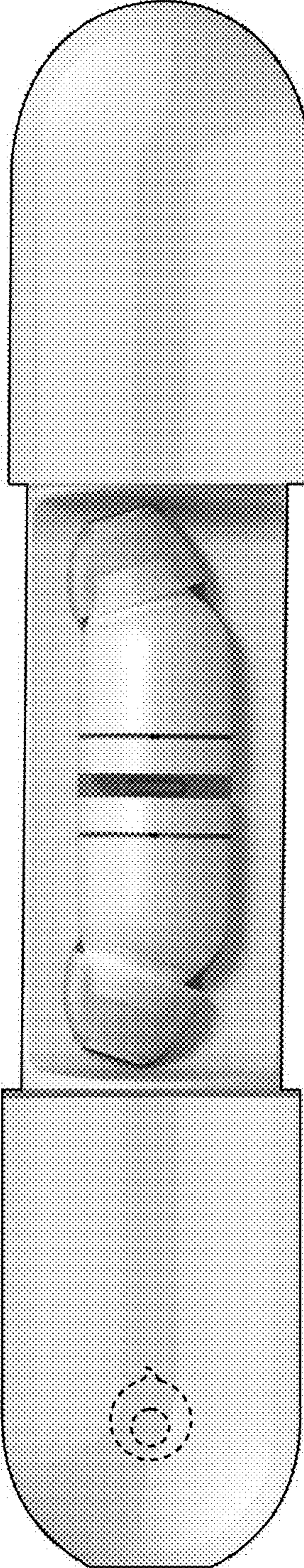


FIG. 8