

US00D864150S

(12) **United States Design Patent** (10) **Patent No.:** **US D864,150 S**
Kim (45) **Date of Patent:** **** Oct. 22, 2019**

(54) **SPEAKER**

(71) Applicants: **NAVER Corporation**, Seongnam-si, Gyeonggi-do (KR); **LINE Corporation**, Shinjuku-ku, Tokyo (JP)

(72) Inventor: **Seung Woo Kim**, Seongnam-si (KR)

(73) Assignees: **Naver Corporation**, Gyeonggi-do (KR); **Line Corporation**, Tokyo (JP)

(**) Term: **15 Years**

(21) Appl. No.: **29/606,045**

(22) Filed: **Jun. 1, 2017**

(51) **LOC (12) Cl.** **14-01**

(52) **U.S. Cl.**
USPC **D14/204**

(58) **Field of Classification Search**
USPC D14/137, 167, 168, 170–172, 188, 204, D14/209.1, 210–216, 219, 221, 222, 224; 181/144, 148, 153, 157, 198; 369/6–12; 381/301–303, 306, 332, 334, 336, 345, 381/361–363, 386–388; D7/584, 585, D7/678; D16/101
CPC G06F 1/1688; H04R 1/02; H04R 1/025; H04R 1/026; H04R 1/323; H04R 1/403; H04R 1/2803; H04R 1/2834; H04R 5/02; H04R 9/06; H04R 2201/021; H04R 2400/00; H04R 2400/07; H04R 2499/11
See application file for complete search history.

(56) **References Cited**

U.S. PATENT DOCUMENTS

- D97,442 S * 11/1935 Slobodkin 220/574
- D430,546 S * 9/2000 Gibson D10/104.1
- D514,570 S * 2/2006 Ohta D14/384
- D537,072 S * 2/2007 Kim D14/215

- D542,273 S * 5/2007 Park D14/215
 - D619,994 S * 7/2010 Chen D14/216
 - D663,880 S * 7/2012 Janssen D26/74
- (Continued)

OTHER PUBLICATIONS

Boom Swimmer Duo—Dirt, Shock, Waterproof Bluetooth Speaker, announced Sep. 2015, [online], site visited Jun. 6, 2018. Available from Internet, URL: <http://www.amazon.com> (Year: 2015).*

(Continued)

Primary Examiner — Derrick E Holland
Assistant Examiner — Janice Patyk
(74) *Attorney, Agent, or Firm* — Harness, Dickey & Pierce, P.L.C.

(57) **CLAIM**

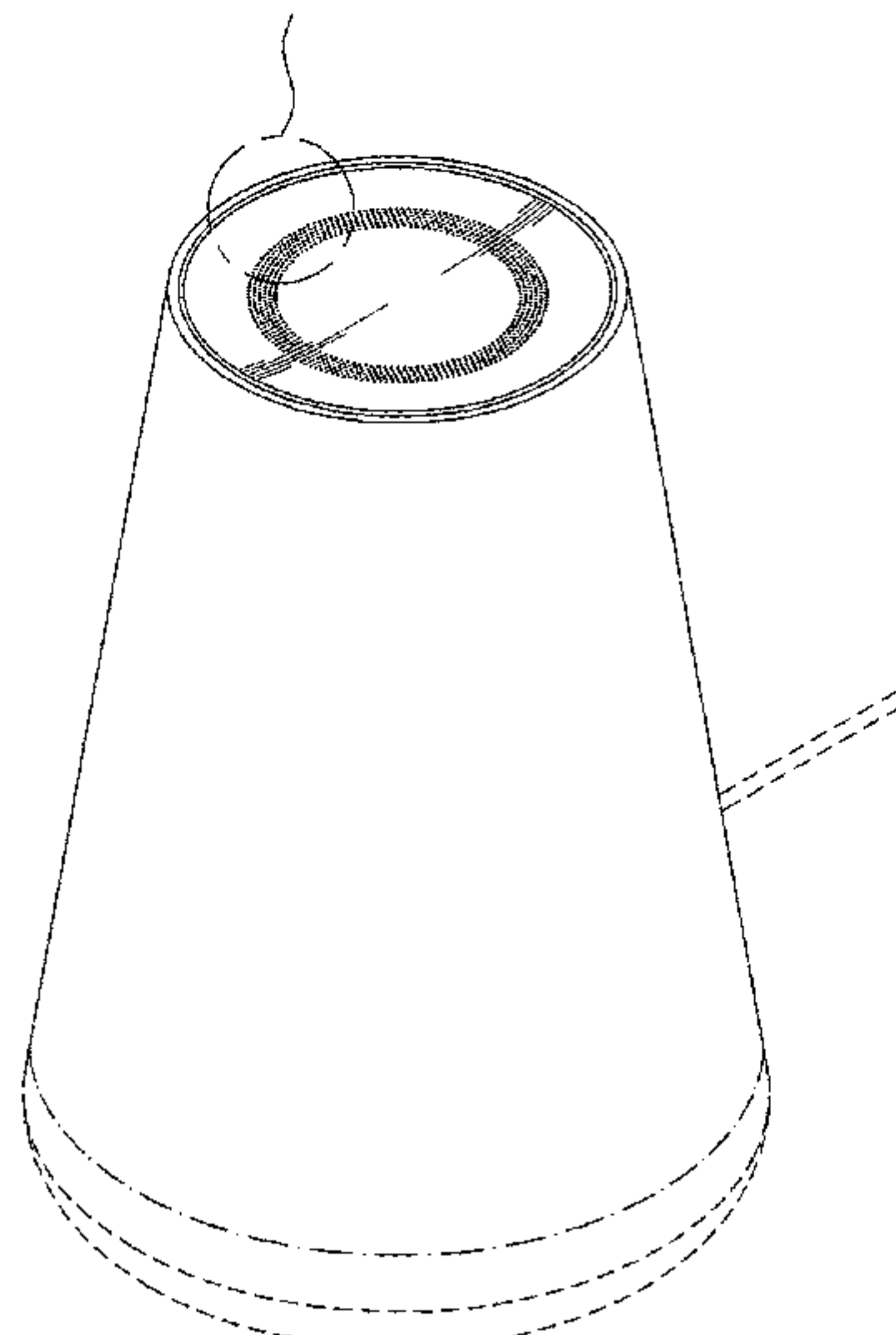
The ornamental design for a speaker, as shown and described.

DESCRIPTION

FIG. 1 is a perspective view of a speaker, showing my new design.
FIG. 2 is a front view of the speaker shown in FIG. 1.
FIG. 3 is a back view of the speaker shown in FIG. 1.
FIG. 4 is a left view of the speaker shown in FIG. 1.
FIG. 5 is a right view of the speaker shown in FIG. 1.
FIG. 6 is a top view of the speaker shown in FIG. 1.
FIG. 7 is a bottom view of the speaker shown in FIG. 1; and, FIG. 8 is a partially enlarged view of the speaker, taken from FIG. 1.
The circular dot-dash broken lines of FIGS. 1 and 8 are included to show a partially enlarged view only and form no part of the claimed design.
The dot-dash broken lines immediately adjacent to the claimed areas in the views in FIGS. 1-6 represent the boundaries of the design and form no part thereof.
None of the broken lines form any part of the claimed design.

1 Claim, 8 Drawing Sheets

FIG. 8



(56)

References Cited

U.S. PATENT DOCUMENTS

D671,580 S * 11/2012 Fahy D16/101
D699,241 S * 2/2014 Moors D14/356

OTHER PUBLICATIONS

House of Marley, Chant Mini Bluetooth Portable Wireless Speaker, announced Jun. 2015, [online], site visited Jun. 6, 2018. Available from Internet, URL: <http://www.amazon.com> (Year: 2015).*

Klipsch Reference R-10SW 10" 300w Powered Subwoofer, announced Aug. 2014, [online], site visited Jun. 6, 2018. Available from Internet, URL: <http://www.amazon.com> (Year: 2014).*

Merlintoools Divided Index Plate, announced Sep. 14, 2014, [online], site visited Nov. 14, 2018. Available from Internet, URL: <http://www.amazon.ca> (Year: 2014).*

* cited by examiner

FIG. 1

FIG. 8

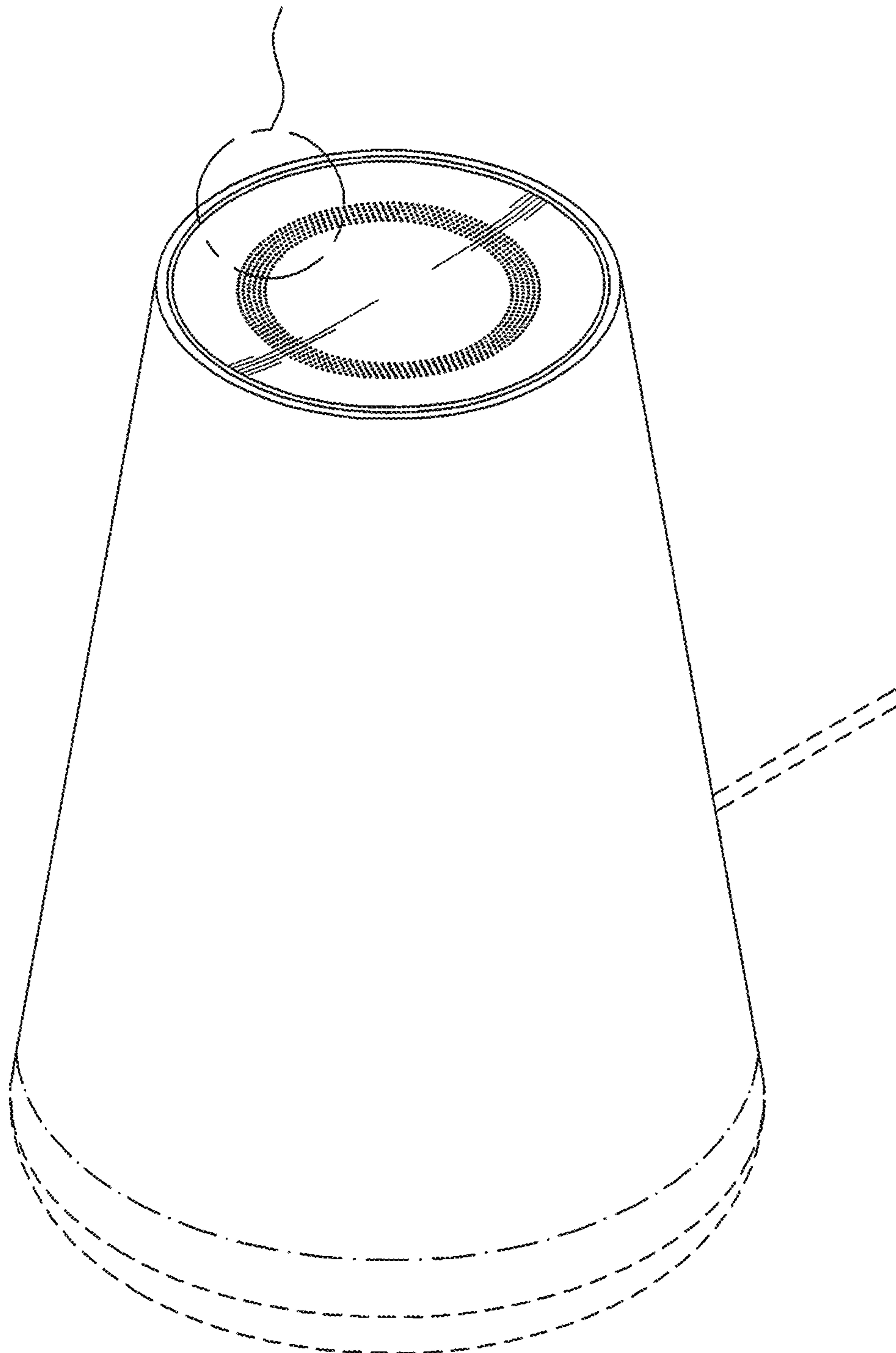


FIG. 2

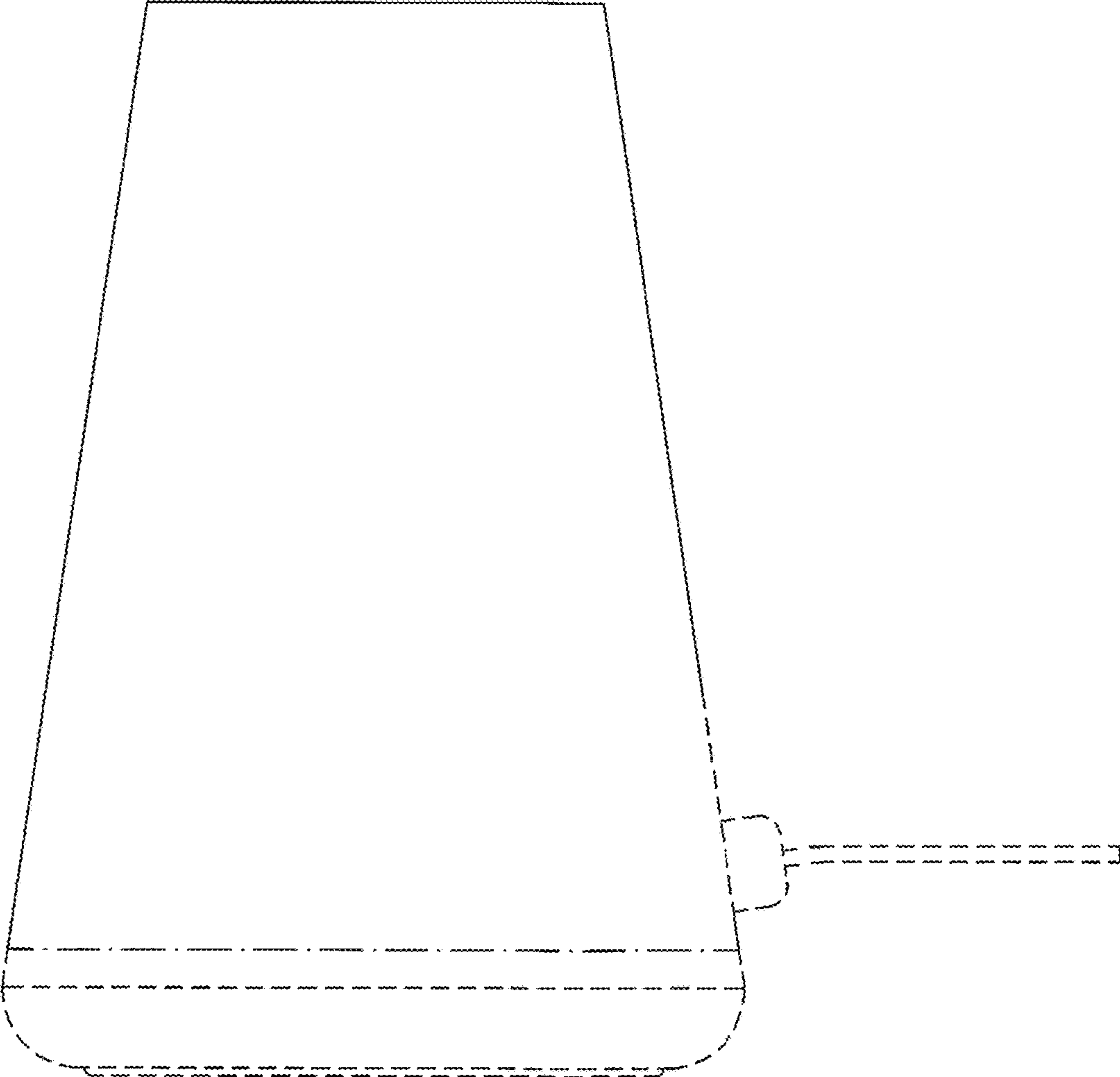


FIG. 3

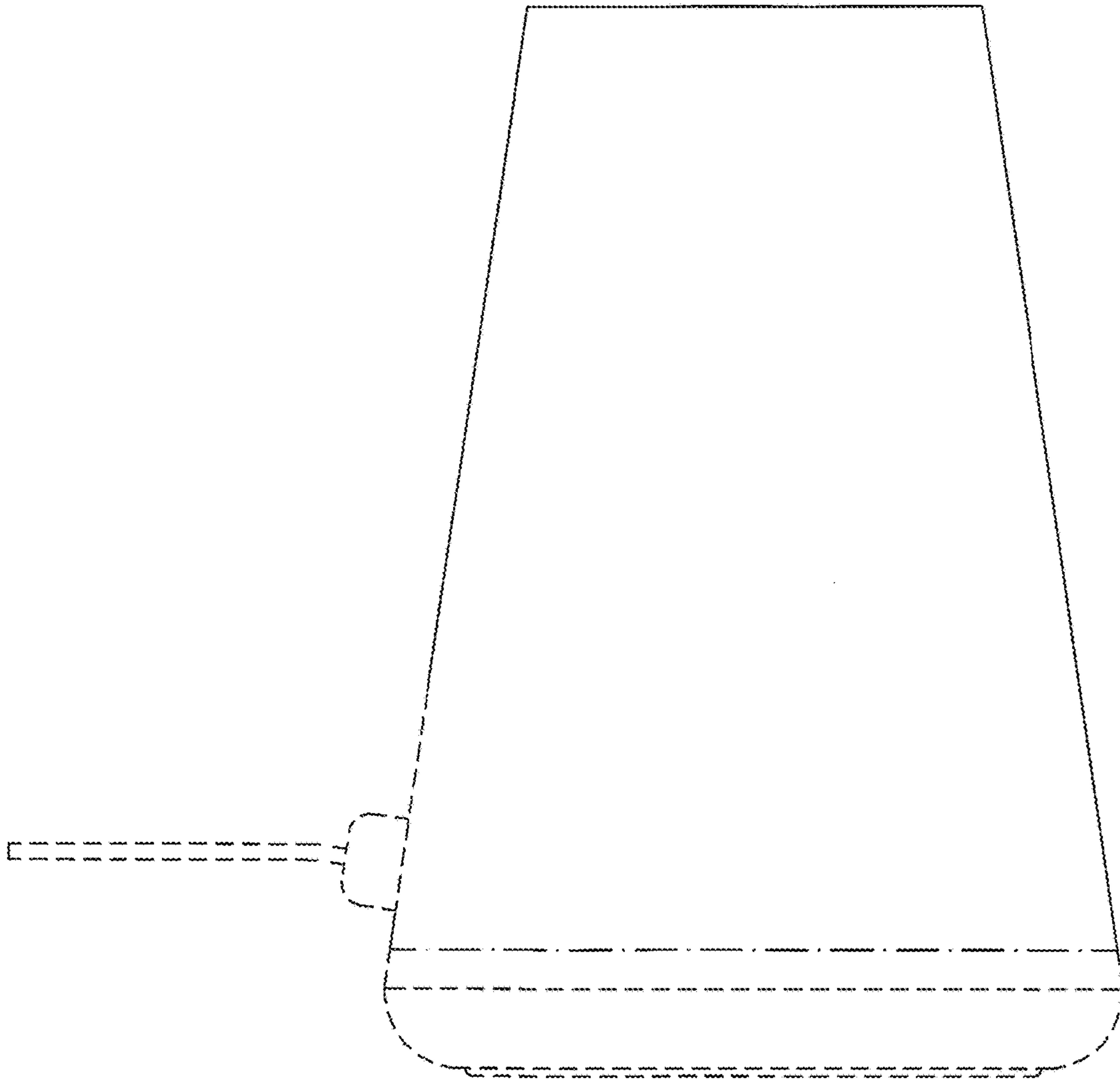


FIG. 4

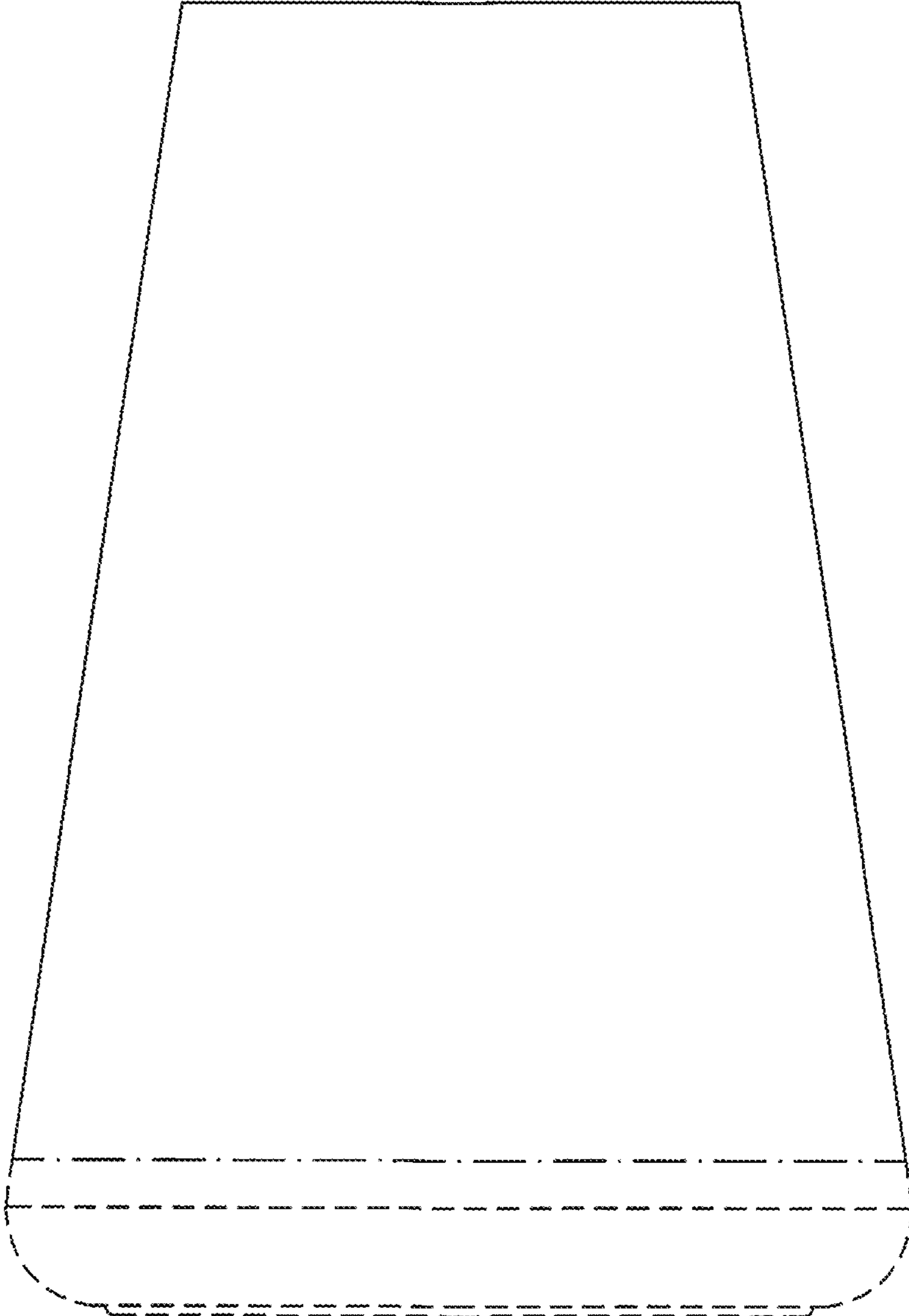


FIG. 5

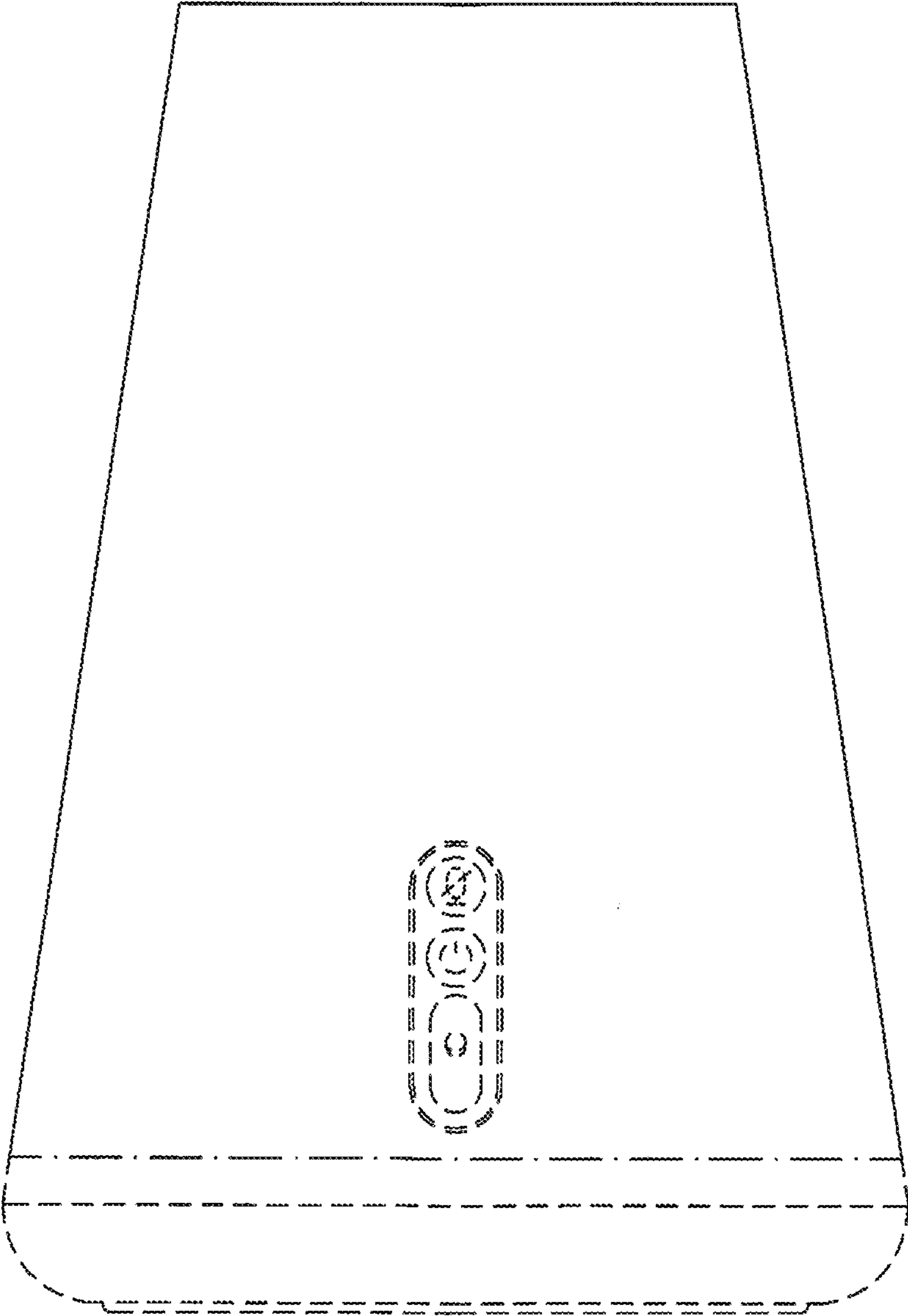


FIG. 6

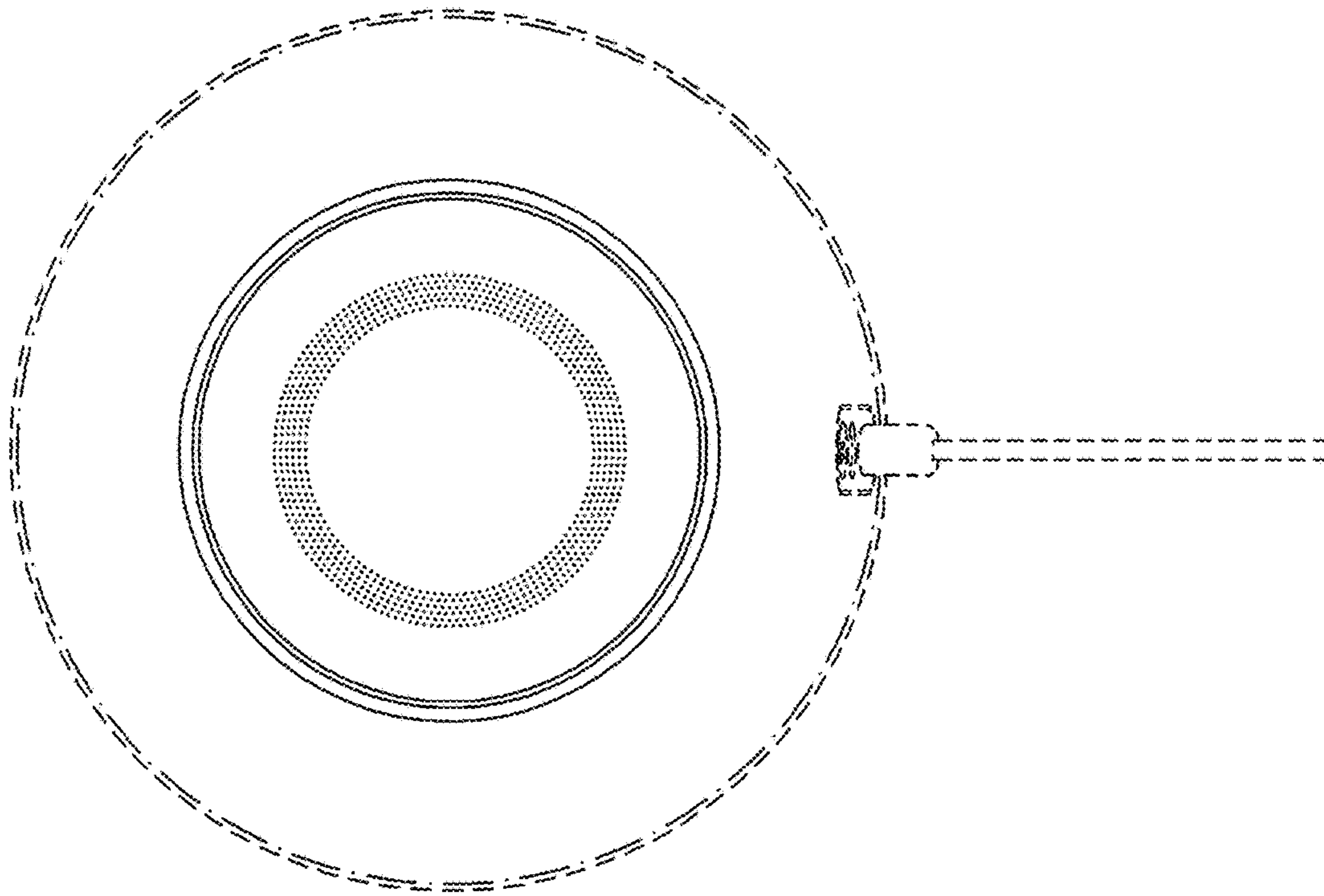


FIG. 7

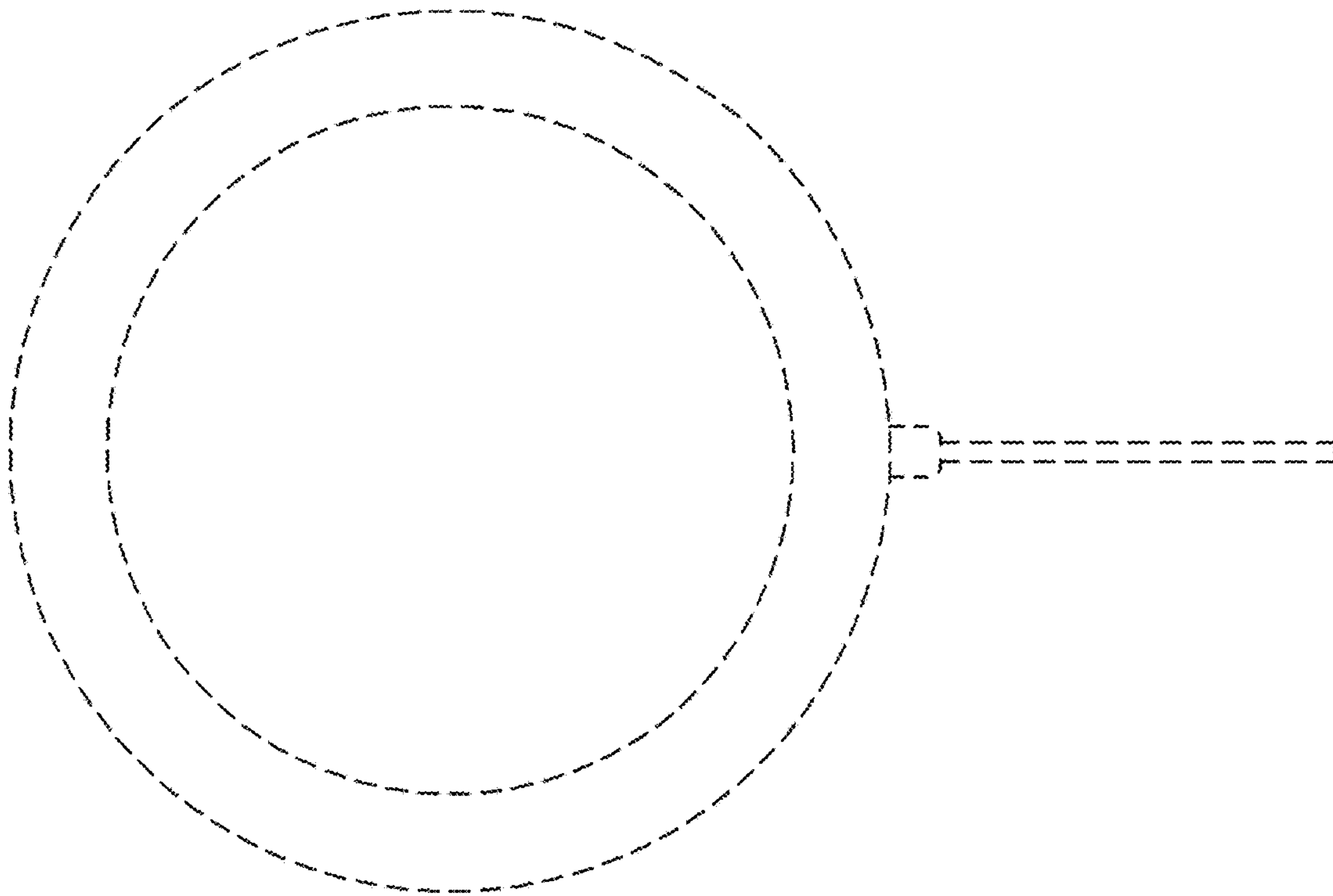


FIG. 8

