



US00D864149S

(12) **United States Design Patent** (10) **Patent No.:** **US D864,149 S**
Ota (45) **Date of Patent:** **** Oct. 22, 2019**

(54) **PORTABLE RADIO**

(71) Applicant: **EMD. Co., Ltd.**, Yokohama, Kanagawa (JP)

(72) Inventor: **Hisaya Ota**, Yokohama (JP)

(73) Assignee: **EMD. Co., Ltd.**, Yokohama, Kanagawa (JP)

(**) Term: **15 Years**

(21) Appl. No.: **29/638,824**

(22) Filed: **Mar. 1, 2018**

(30) **Foreign Application Priority Data**

Oct. 20, 2017 (JP) 2017-023294

(51) **LOC (12) Cl.** **14-03**

(52) **U.S. Cl.**
USPC **D14/198**; D14/188; D14/189

(58) **Field of Classification Search**
USPC D14/188, 189, 197, 198, 203.1–203.8, D14/207, 341, 347, 388, 426; D21/324, D21/329, 331–333
CPC B60R 11/0217; G06F 1/1688; G10K 9/22; G10K 11/004; H03F 1/327; H04M 1/03; H04M 1/035; H04N 5/642; H04N 21/4852; H04R 1/02; H04R 1/06; H04R 1/021; H04R 1/025; H04R 1/026; H04R 1/028; H04R 1/105; H04R 1/323; H04R 1/403; H04R 1/2803; H04R 1/2834; H04R 5/02; H04R 7/20; H04R 9/06; H04R 9/025; H04R 2201/021; H04R 2400/00; H04R 2400/07; H04R 2400/11; H04R 2499/11; H04R 2499/13; H04R 2499/15; H04S 3/00; H04S 7/30

See application file for complete search history.

(56) **References Cited**

U.S. PATENT DOCUMENTS

D283,711 S *	5/1986	Deura	D14/347
D297,429 S *	8/1988	Pedinielli	D14/347
D298,922 S *	12/1988	Hinkle	D10/46.1
D361,766 S *	8/1995	Mackay	D14/160
D442,934 S *	5/2001	Volanski	D14/203.3
D497,356 S *	10/2004	Jerome	D14/188
D820,235 S *	6/2018	Ricci	D14/192

FOREIGN PATENT DOCUMENTS

JP 1301186 S 5/2007

OTHER PUBLICATIONS

Jul. 31, 2018, Decision on the Registration and Notification issued by the Japan Patent Office in the corresponding Japanese Design Application No. 2017-023294.

(Continued)

Primary Examiner — Keli L Hill

(74) *Attorney, Agent, or Firm* — Kenja IP Law PC

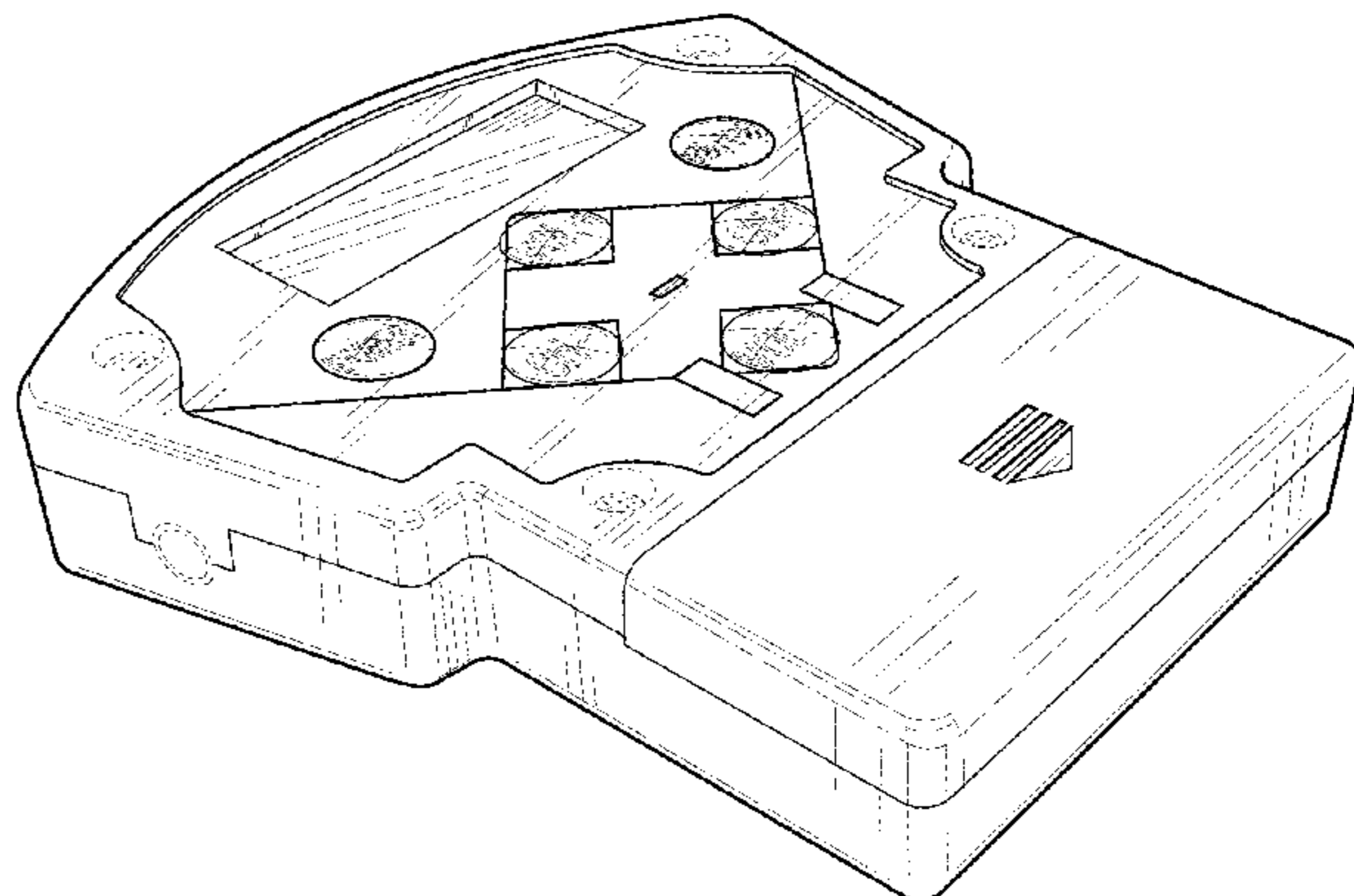
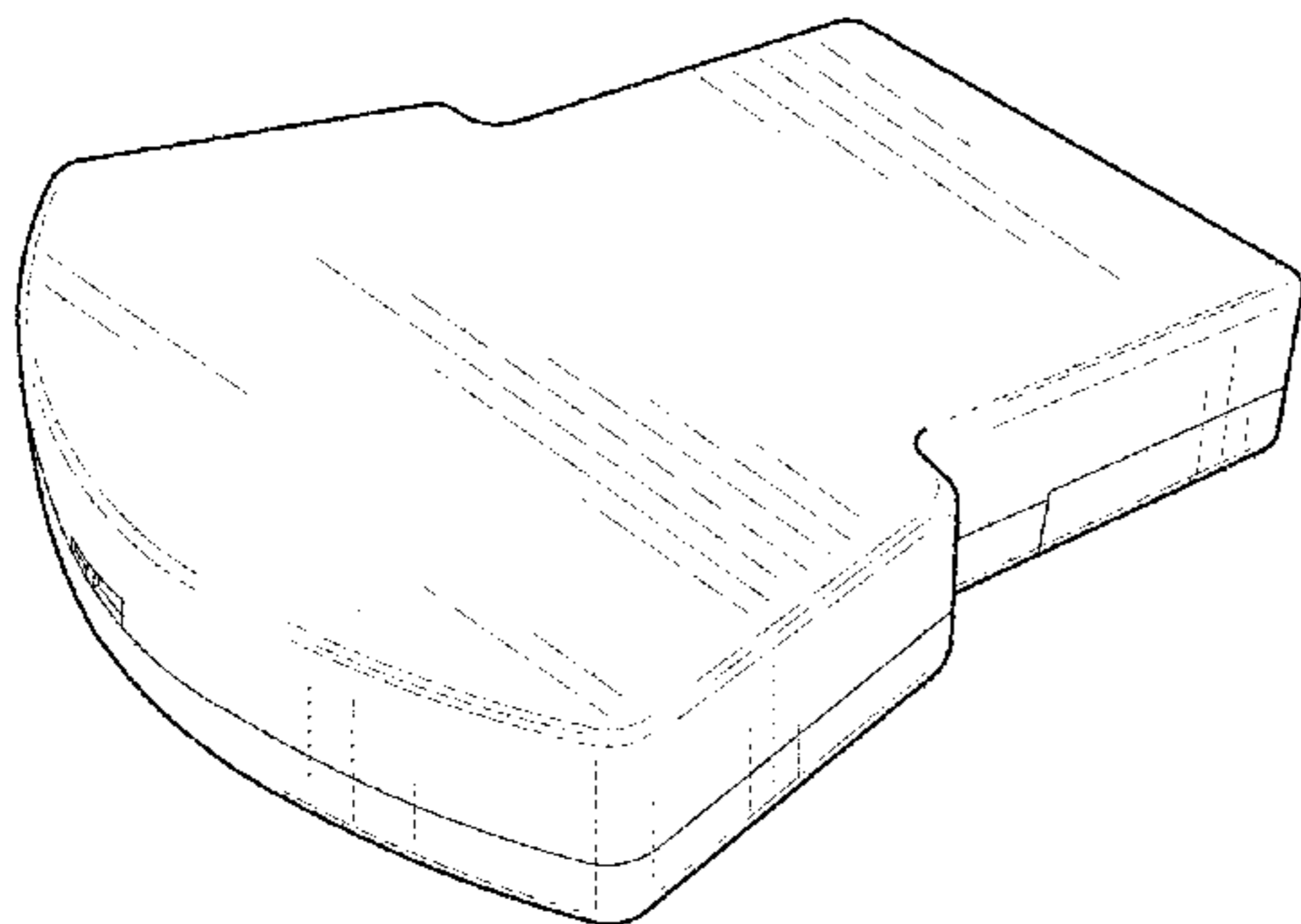
(57) **CLAIM**

The ornamental design for a portable radio, as shown and described.

DESCRIPTION

FIG. 1 is a front perspective view of a portable radio showing my new design;
FIG. 2 is a rear perspective view thereof;
FIG. 3 is a front view thereof;
FIG. 4 is a top view thereof;
FIG. 5 is a right side view thereof;
FIG. 6 is a left side thereof;
FIG. 7 is a rear view thereof; and,
FIG. 8 is a bottom view thereof.
The broken lines shown are included for the purpose of illustrating portions of the portable radio that form no part of the claim.

1 Claim, 8 Drawing Sheets



(56)

References Cited

OTHER PUBLICATIONS

item.rakuten.co.jp, Retrieved on Jan. 30, 2018, from URL: https://item.rakuten.co.jp/sh-midoriya/emd-hth001_m/?s-id=review_PC_il_item_01.

www.rakuteneagles.jp, Retrieved on Feb. 15, 2018, from URL: <https://www.rakuteneagles.jp/news/detail/1498.html>.

* cited by examiner

FIG. 1

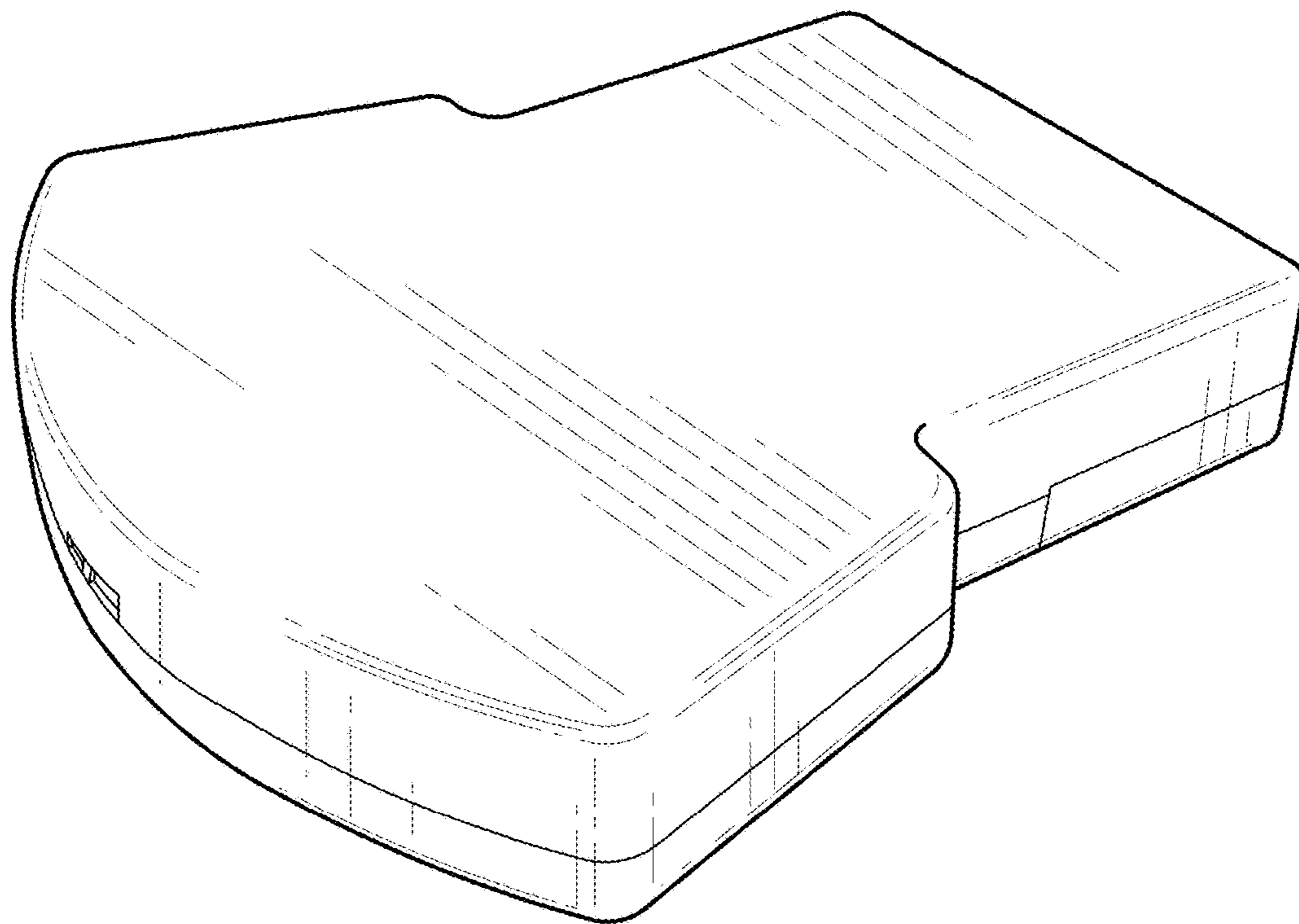


FIG. 2

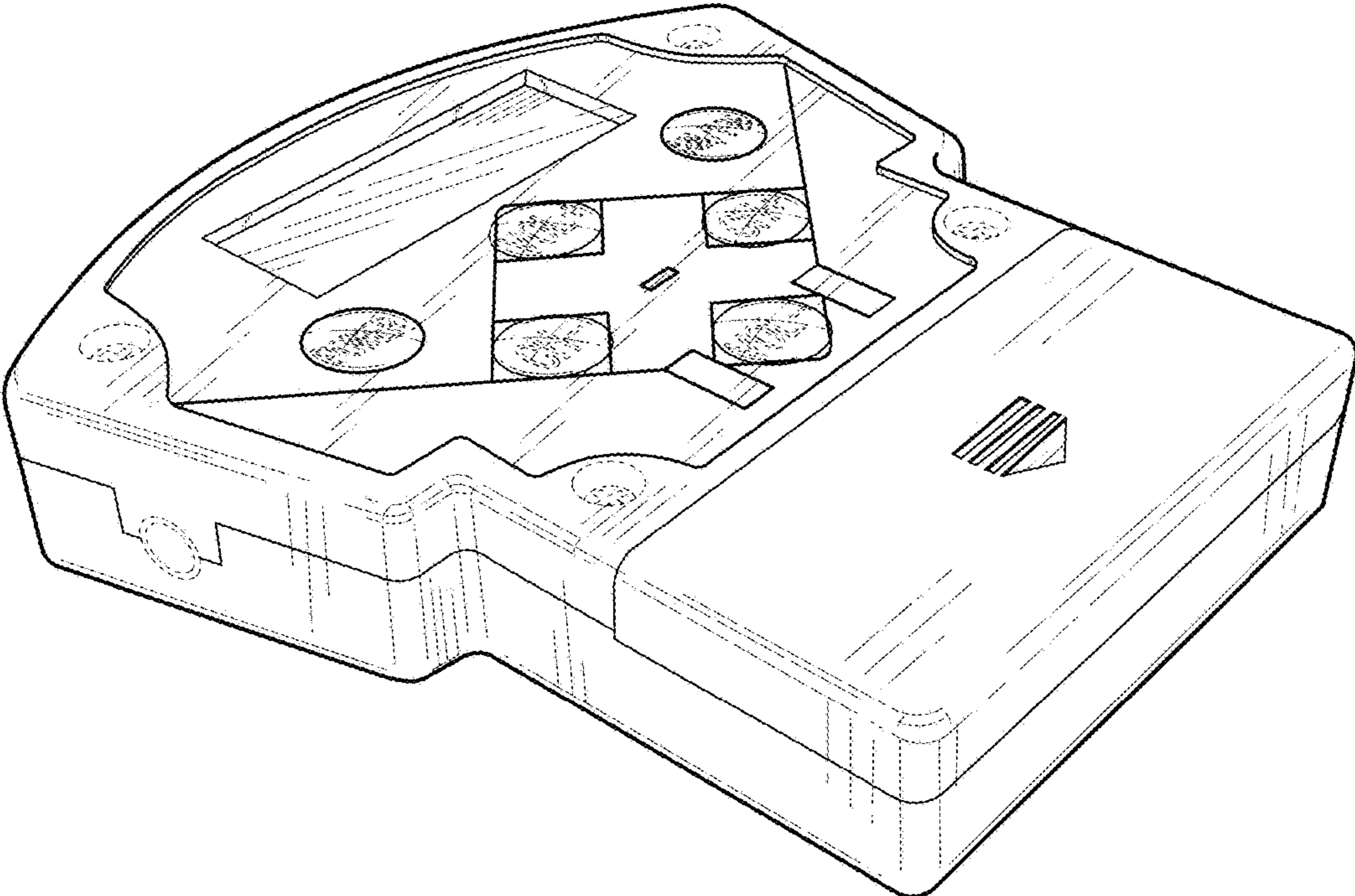


FIG. 3

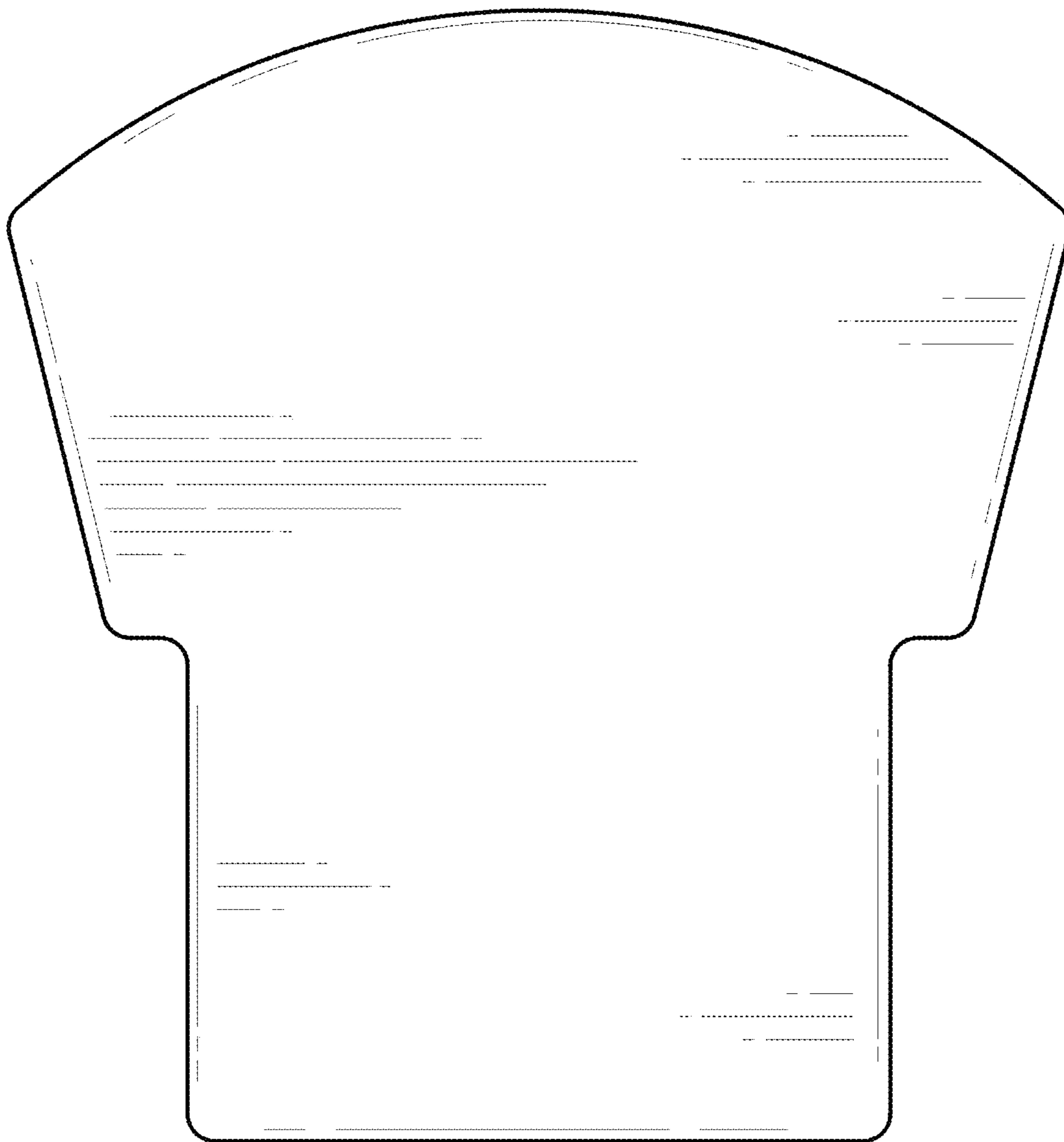


FIG. 4

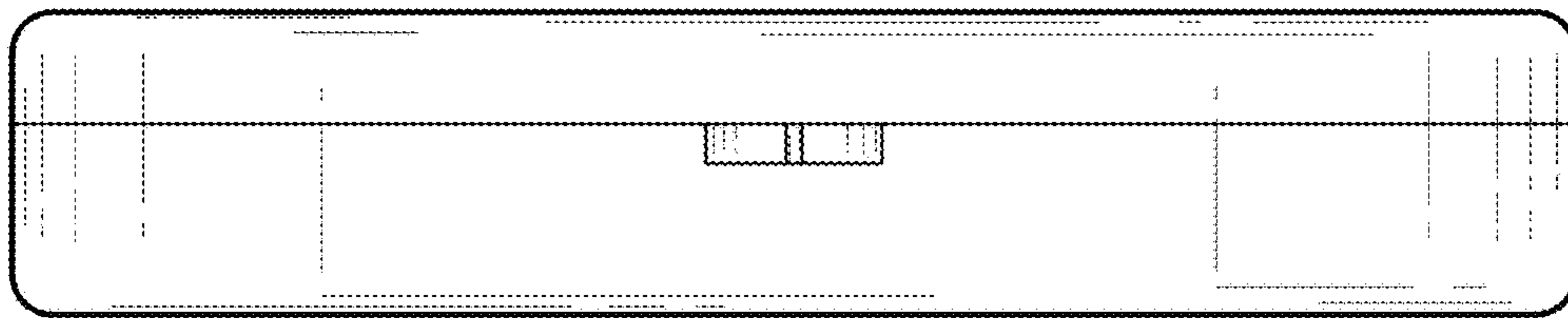


FIG. 5

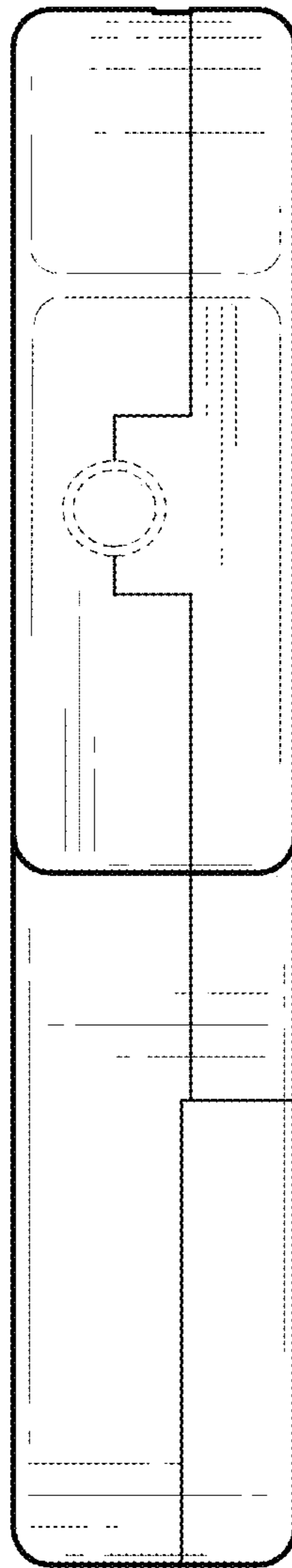


FIG. 6

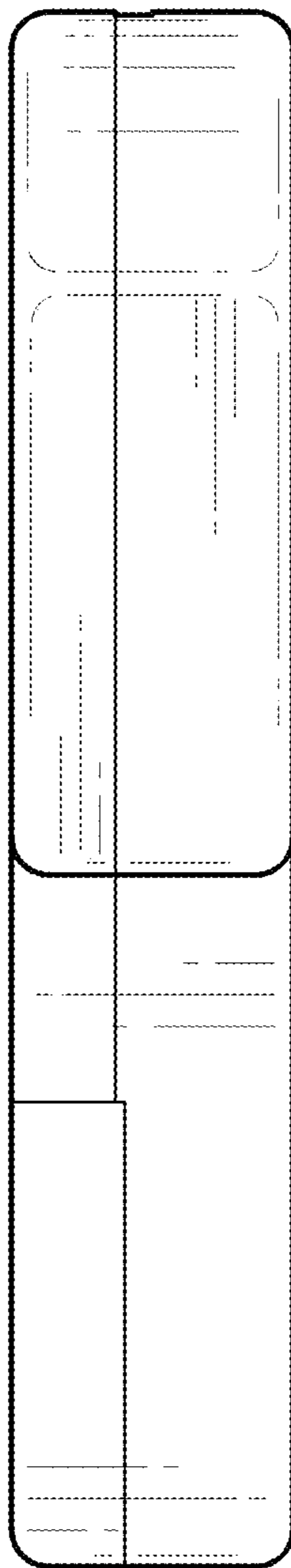


FIG. 7

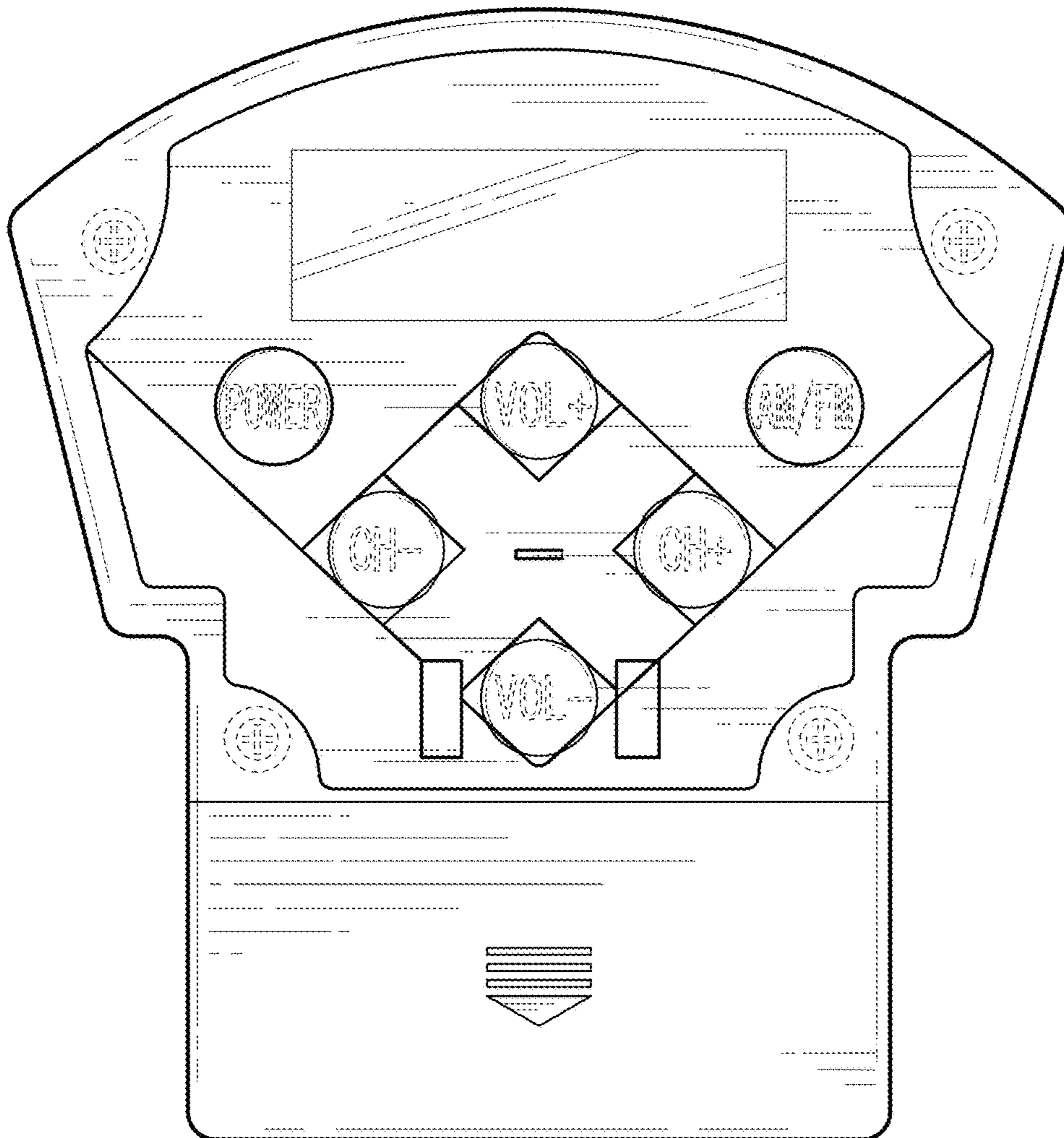


FIG. 8

