

US00D864143S

(12) **United States Design Patent**
Katori

(10) **Patent No.:** **US D864,143 S**

(45) **Date of Patent:** **** Oct. 22, 2019**

(54) **TELEPHONE BASE UNIT**

(71) Applicant: **Panasonic Intellectual Property Management Co., Ltd., Osaka (JP)**

(72) Inventor: **Takehito Katori, Kanagawa (JP)**

(73) Assignee: **Panasonic Intellectual Property Management Co., Ltd., Osaka (JP)**

(**) Term: **15 Years**

(21) Appl. No.: **29/643,619**

(22) Filed: **Apr. 10, 2018**

(51) **LOC (12) Cl.** **14-03**

(52) **U.S. Cl.**
USPC **D14/151**

(58) **Field of Classification Search**
USPC ... D14/140, 140.1, 140.7, 140.8, 141.2, 142, D14/144, 147, 148, 149, 150, 151, 158, D14/159, 188, 217, 240, 243, 247, 248, D14/251, 299, 329, 462, 467, 471, 130, D14/403, 338; D21/517; D24/165
CPC H04M 1/00; H04M 1/003; H04M 1/02; H04M 1/0289; H04M 1/0297; H04M 1/0214; H04M 1/03; H04M 1/23; H04M 1/253; H04M 1/2535; H04M 7/006
See application file for complete search history.

(56) **References Cited**

U.S. PATENT DOCUMENTS

D291,565 S *	8/1987	Okuda	D14/151
D299,456 S *	1/1989	Kuo	D14/151
D301,475 S *	6/1989	Nagele	D14/142
D307,009 S *	4/1990	Boykiw	D14/149
D330,028 S *	10/1992	Gagnon	D14/144
D348,669 S *	7/1994	Weidinger	D14/151
D363,285 S *	10/1995	Vessey	D14/151
D366,484 S *	1/1996	Levin	D14/151

D368,091 S *	3/1996	Yoshihiko	D14/151
D387,056 S *	12/1997	Yoneyama	D14/151
D405,447 S *	2/1999	Landry	D14/151
D410,005 S *	5/1999	Landry	D14/151
D412,171 S *	7/1999	Girardi	D14/151
D427,161 S *	6/2000	Oh	D14/144
D427,985 S *	7/2000	Takayama	D14/130
D457,509 S *	5/2002	Ohwada	D14/151
D472,227 S *	3/2003	Takayama	D14/151
D476,969 S *	7/2003	Weidinger	D14/151
D481,700 S *	11/2003	Jauregui	D14/151
D481,701 S *	11/2003	Kamezawa	D14/151
D482,342 S *	11/2003	Weidinger	D14/151
D490,393 S *	5/2004	Taniguchi	D14/151
D490,795 S *	6/2004	Watanabe	D14/151
D499,078 S *	11/2004	Abe	D14/151
D499,079 S *	11/2004	Abe	D14/151
D512,705 S *	12/2005	Bhavnani	D14/151
D520,983 S *	5/2006	Siebke	D14/144

(Continued)

Primary Examiner — Marie D. Fast Horse

(74) *Attorney, Agent, or Firm* — Panasonic IP Management; Kerry S. Culpepper

(57) **CLAIM**

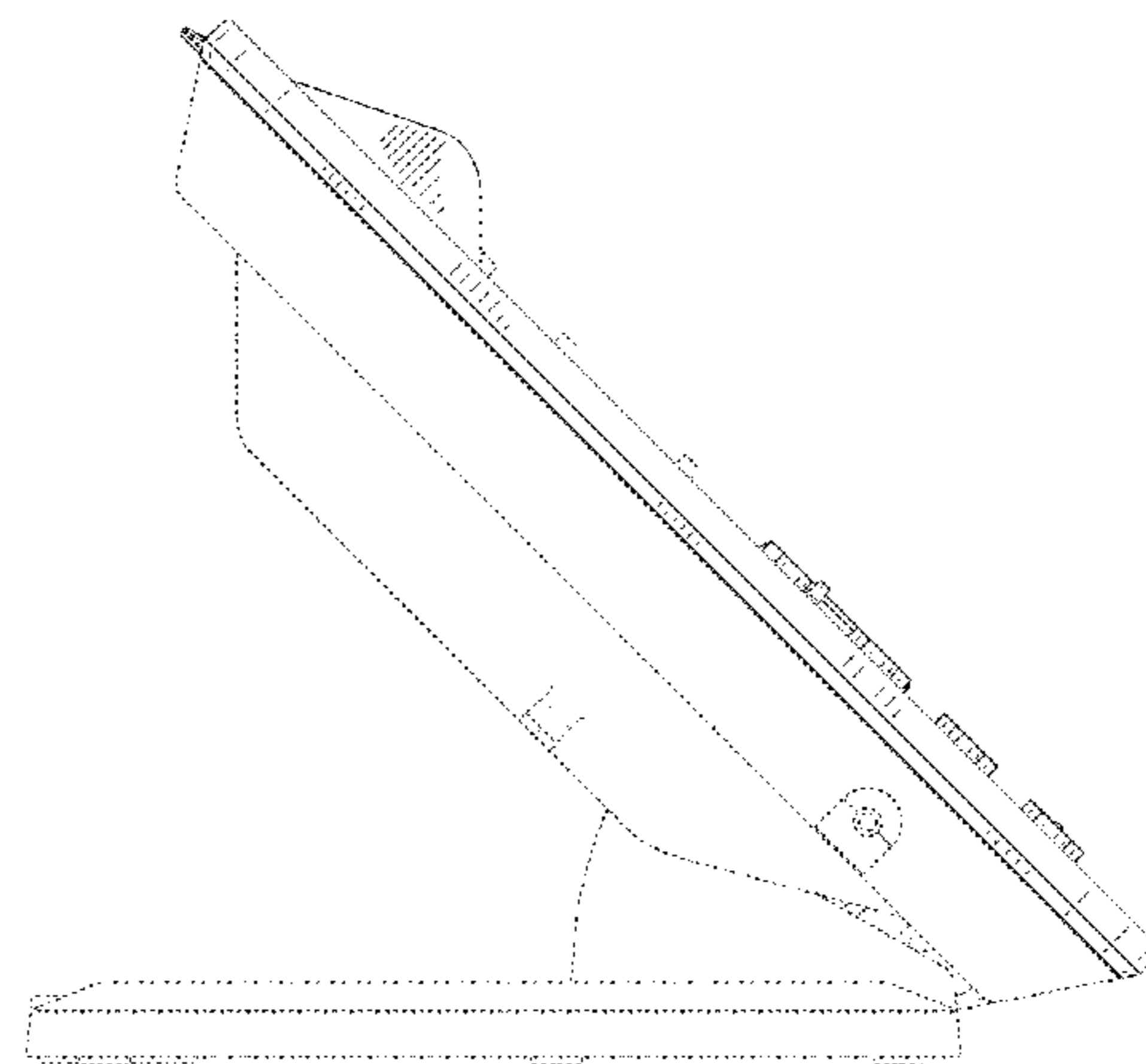
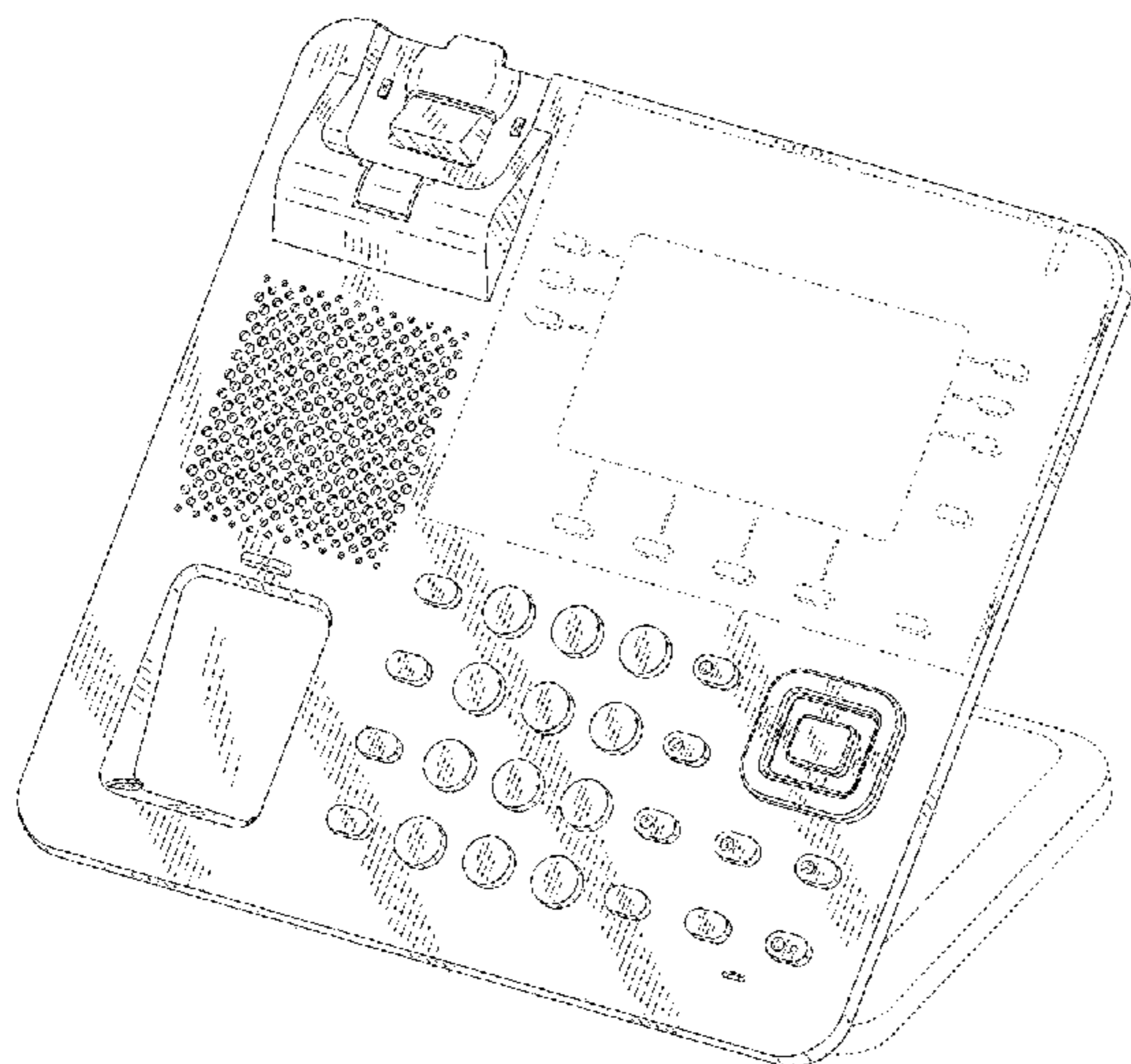
I claim the ornamental design for a telephone base unit, as shown and described.

DESCRIPTION

FIG. 1 is a front perspective view of a telephone base unit of the present invention;
FIG. 2 is a rear perspective view thereof;
FIG. 3 is a front view thereof;
FIG. 4 is a rear view thereof;
FIG. 5 is a left side view thereof;
FIG. 6 is a right side view thereof;
FIG. 7 is a top view thereof; and,
FIG. 8 is a bottom view thereof.

The broken lines in the drawings depict parts of the telephone base unit that form no part of the claimed design.

1 Claim, 8 Drawing Sheets



(56)

References Cited

U.S. PATENT DOCUMENTS

D529,477 S *	10/2006	Hsu	D14/151	D750,591 S	3/2016	Katori	
D529,894 S *	10/2006	Yanagisawa	D14/151	D750,607 S	3/2016	Katori	
D530,303 S *	10/2006	Tang	D14/151	D753,624 S *	4/2016	Ji	D14/151
D531,979 S *	11/2006	Pettit	D14/151	D767,527 S *	9/2016	Hillenmayer	D14/140.8
D537,065 S *	2/2007	Chen	D14/151	D771,005 S	11/2016	Tani et al.	
D551,203 S *	9/2007	Abe	D14/151	D771,006 S	11/2016	Tani et al.	
D556,180 S *	11/2007	Udagawa	D14/149	D781,809 S *	3/2017	Schwarz	D14/151
D556,181 S *	11/2007	Liu	D14/151	D781,810 S *	3/2017	Schwarz	D14/151
D558,180 S *	12/2007	Daly	D14/151	D782,994 S *	4/2017	Schwarz	D14/151
D558,727 S *	1/2008	Daly	D14/149	D783,569 S *	4/2017	Kwak	D14/151
D558,729 S *	1/2008	Daly	D14/151	D784,286 S	4/2017	Jang et al.	
D565,020 S *	3/2008	Daly	D14/149	D788,737 S *	6/2017	Takei	D14/151
D576,146 S	9/2008	Brown et al.		D829,189 S *	9/2018	Su	D14/151
D576,998 S *	9/2008	Furuno	D14/151	D829,683 S *	10/2018	Su	D14/151
D577,706 S *	9/2008	Andrews	D14/151	D835,060 S *	12/2018	Peng	D14/151
D581,897 S *	12/2008	Katori	D14/151	D835,599 S *	12/2018	Peng	D14/151
D582,886 S *	12/2008	Woo	D14/151	D843,965 S *	3/2019	Su	D14/151
D608,759 S *	1/2010	Chun	D14/151	D848,391 S *	5/2019	Li	D14/151
D609,212 S *	2/2010	Turnbull	D14/151	D851,617 S *	6/2019	Rodriguez	D14/151
D611,031 S *	3/2010	Lesniak	D14/151	D853,981 S *	7/2019	Nakano	D14/151
D613,724 S *	4/2010	Kao	D14/151	2008/0240416 A1 *	10/2008	Abramson	H04M 1/2477 379/428.03
D617,766 S	6/2010	Katori et al.		2010/0254529 A1 *	10/2010	Olivier	H04M 1/2477 379/428.03
D657,772 S *	4/2012	Shadovitz	D14/150	2011/0216898 A1 *	9/2011	Huang	H04M 1/00 379/428.02
D657,773 S *	4/2012	Corsini	D14/151	2013/0084895 A1 *	4/2013	Li	H04M 1/0258 455/462
D664,520 S *	7/2012	Shadovitz	D14/150	2014/0062279 A1 *	3/2014	Chiu	G06F 1/1681 312/319.2
D723,502 S *	3/2015	Chun	D14/130				
D739,373 S	9/2015	Hillenmayer					
D740,779 S *	10/2015	Matsuura	D14/151				
D740,780 S *	10/2015	Matsuura	D14/151				

* cited by examiner

FIG. 1

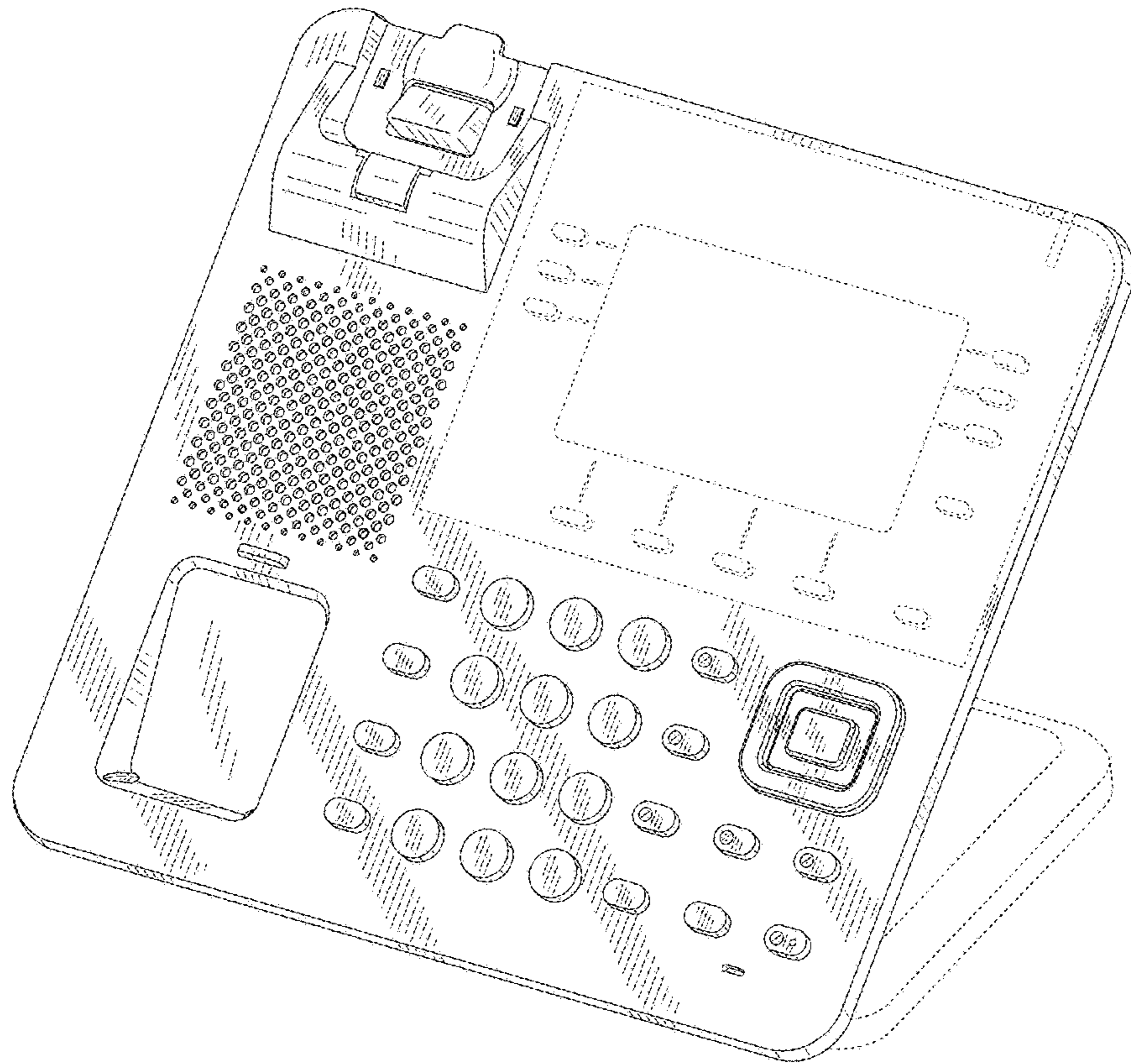


FIG. 2

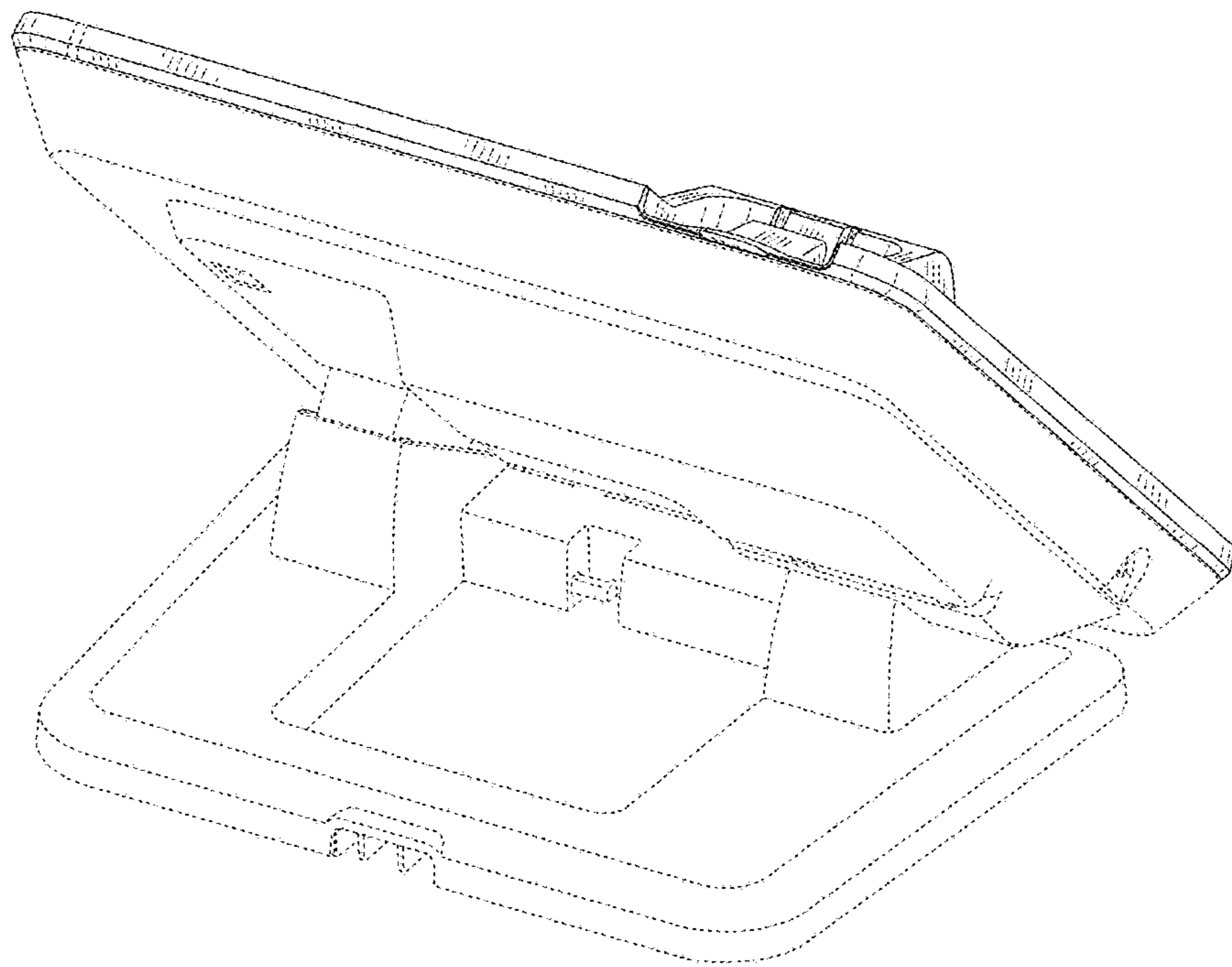


FIG. 3

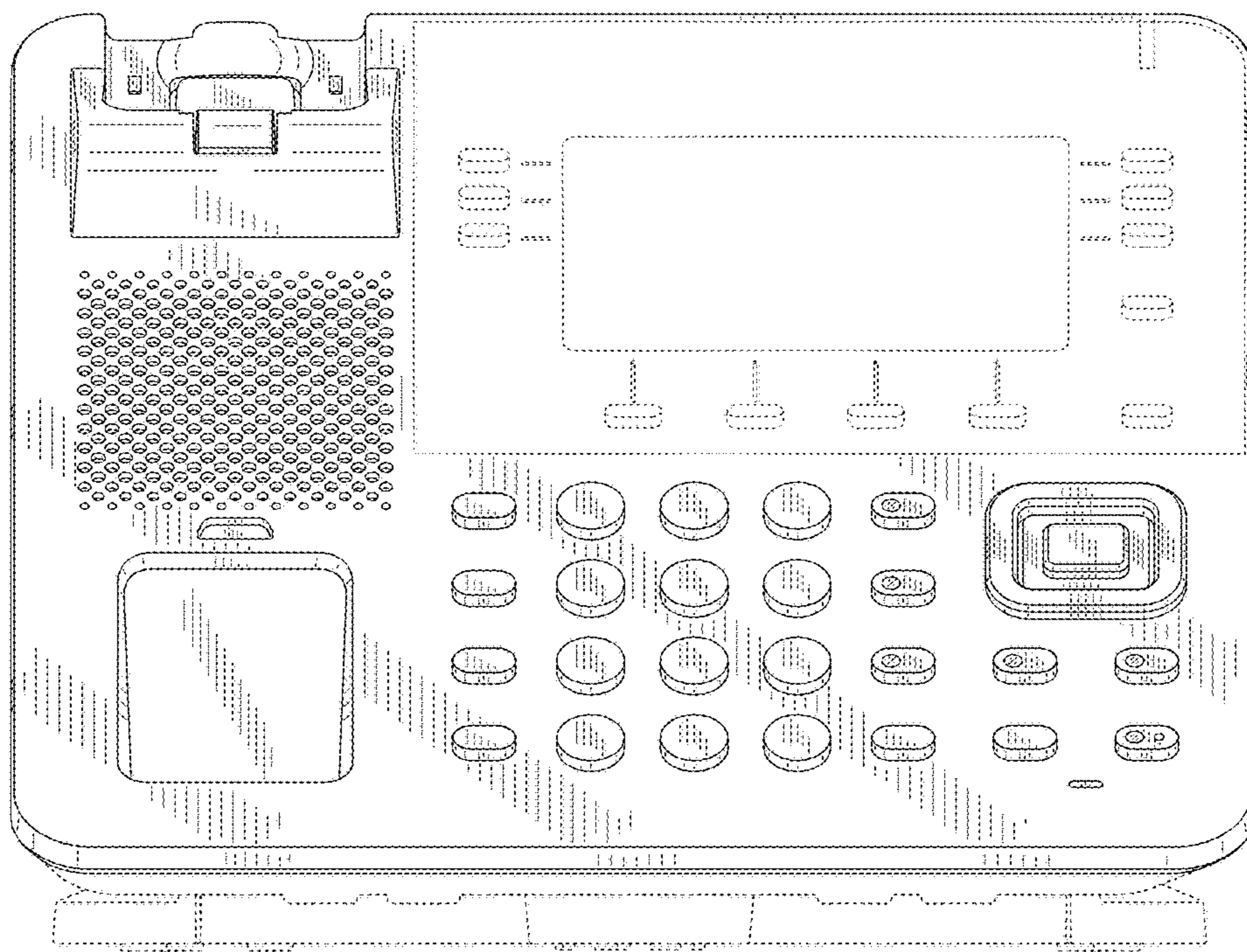


FIG. 4

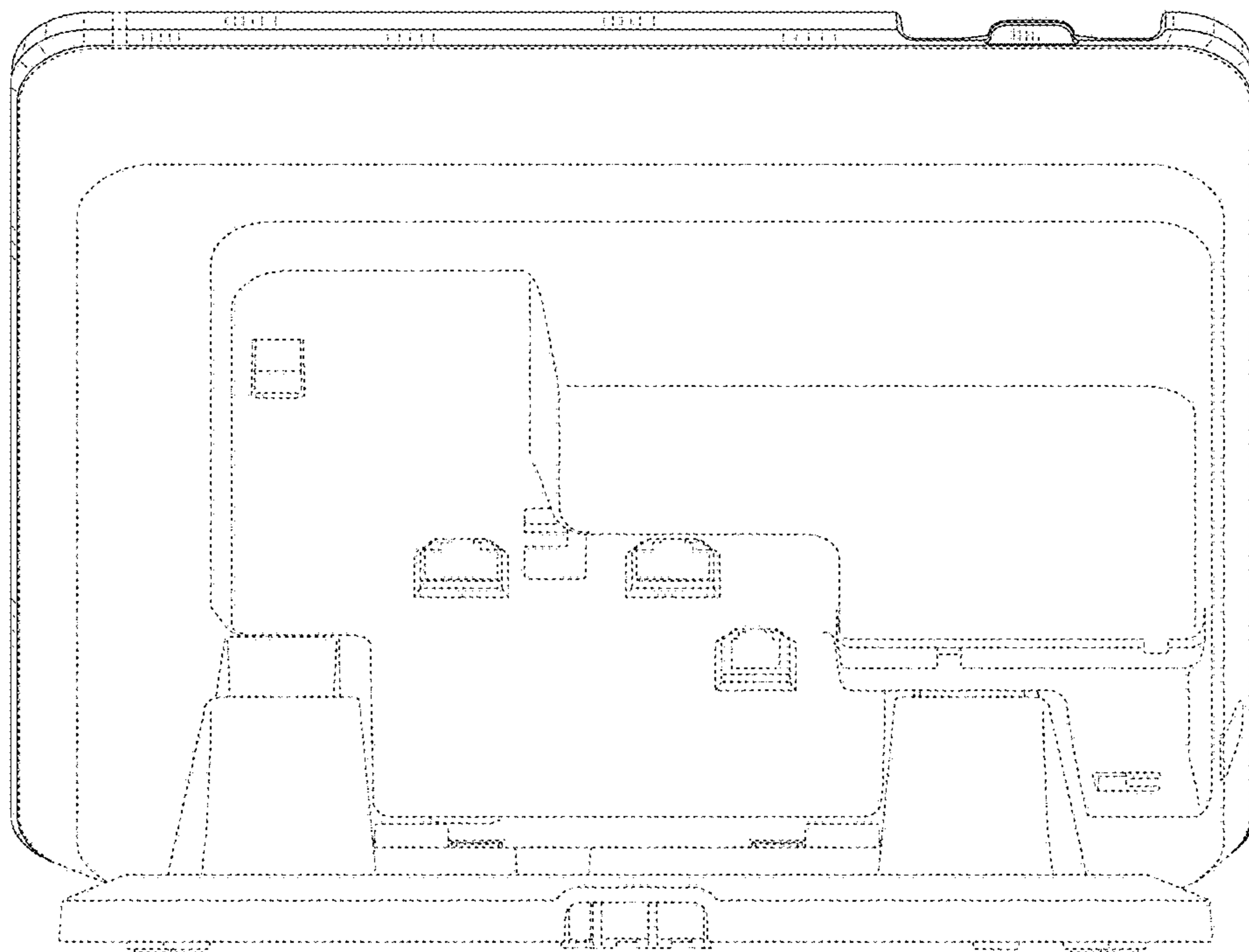


FIG. 5

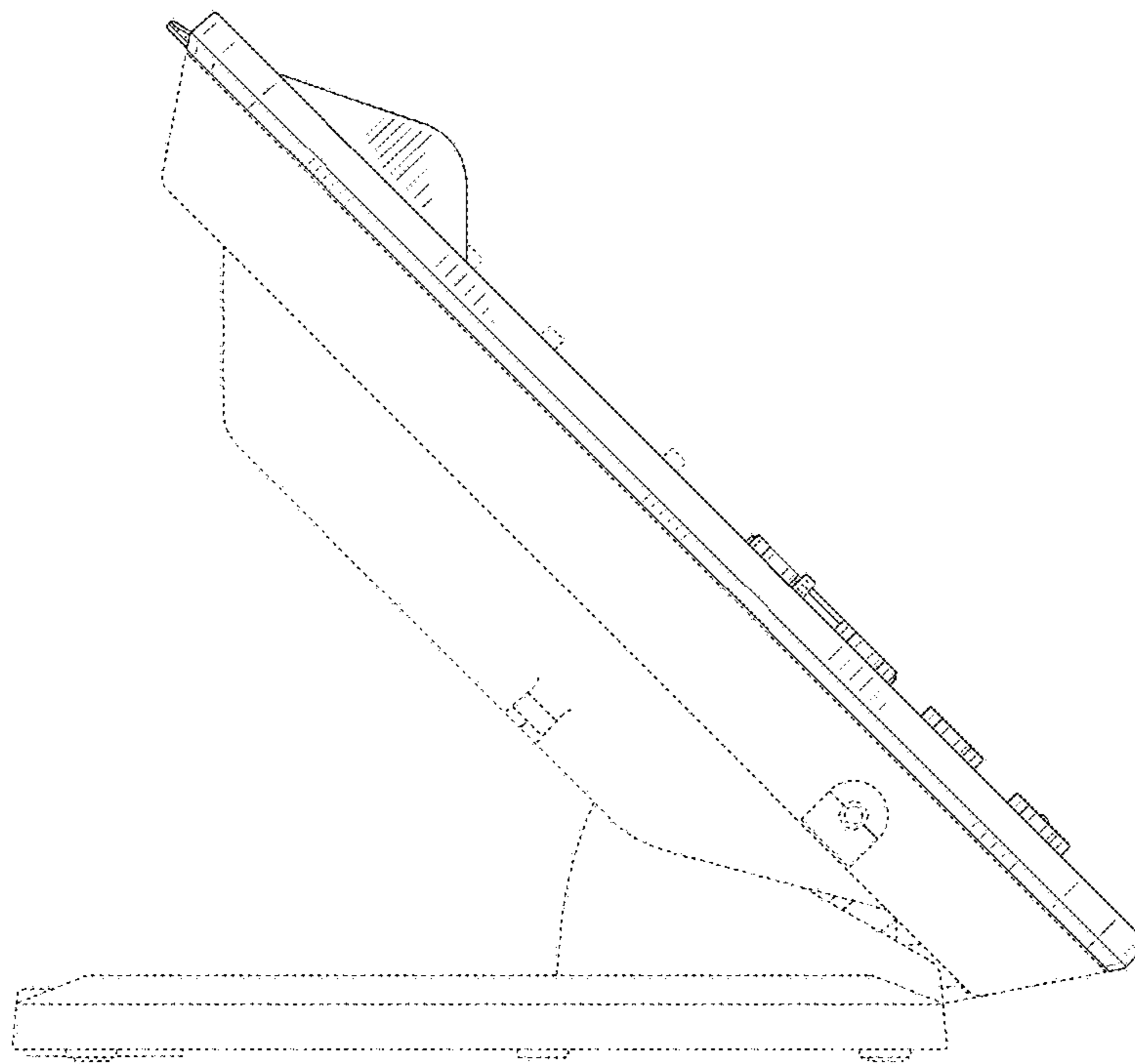


FIG. 6

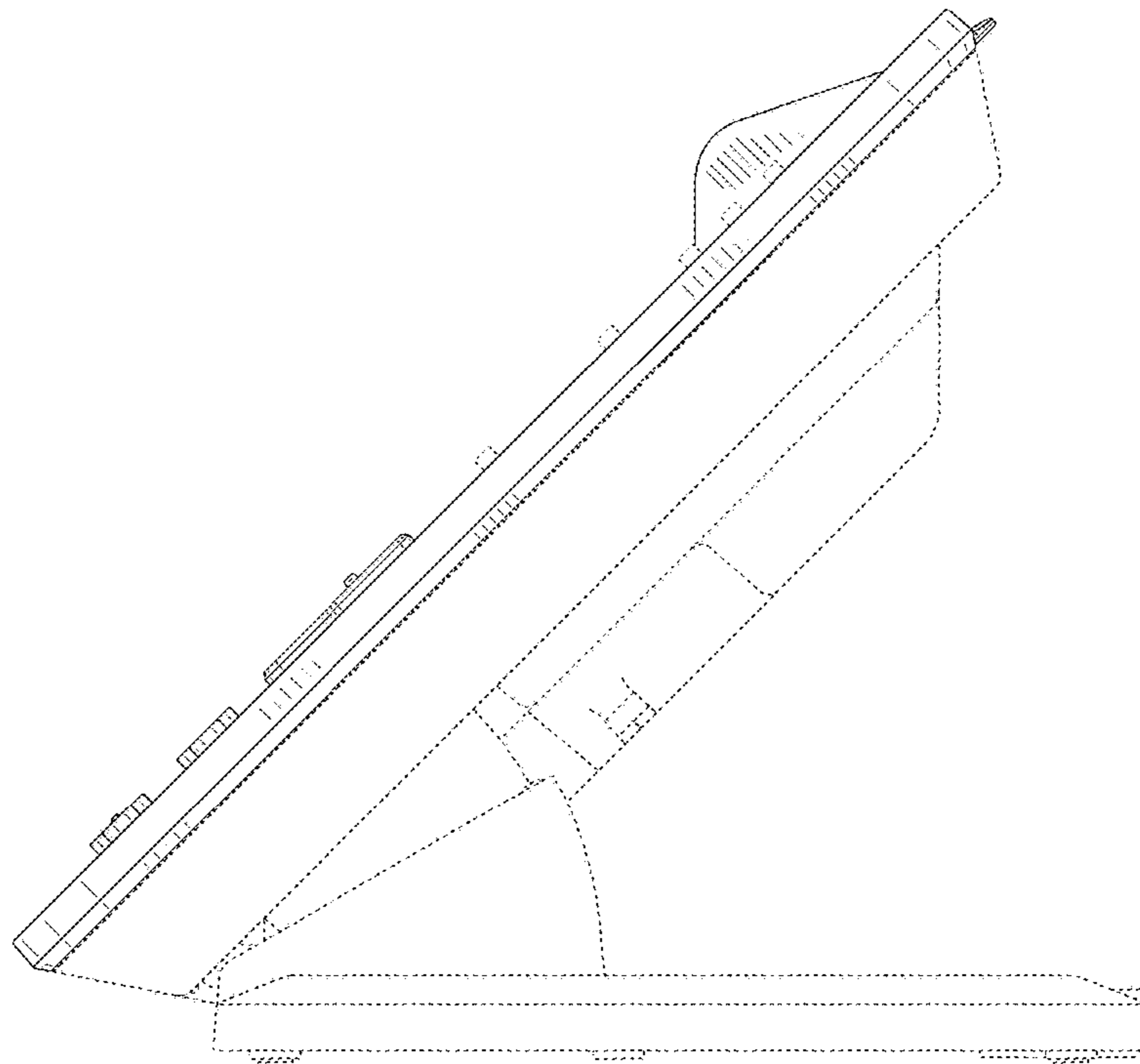


FIG. 7

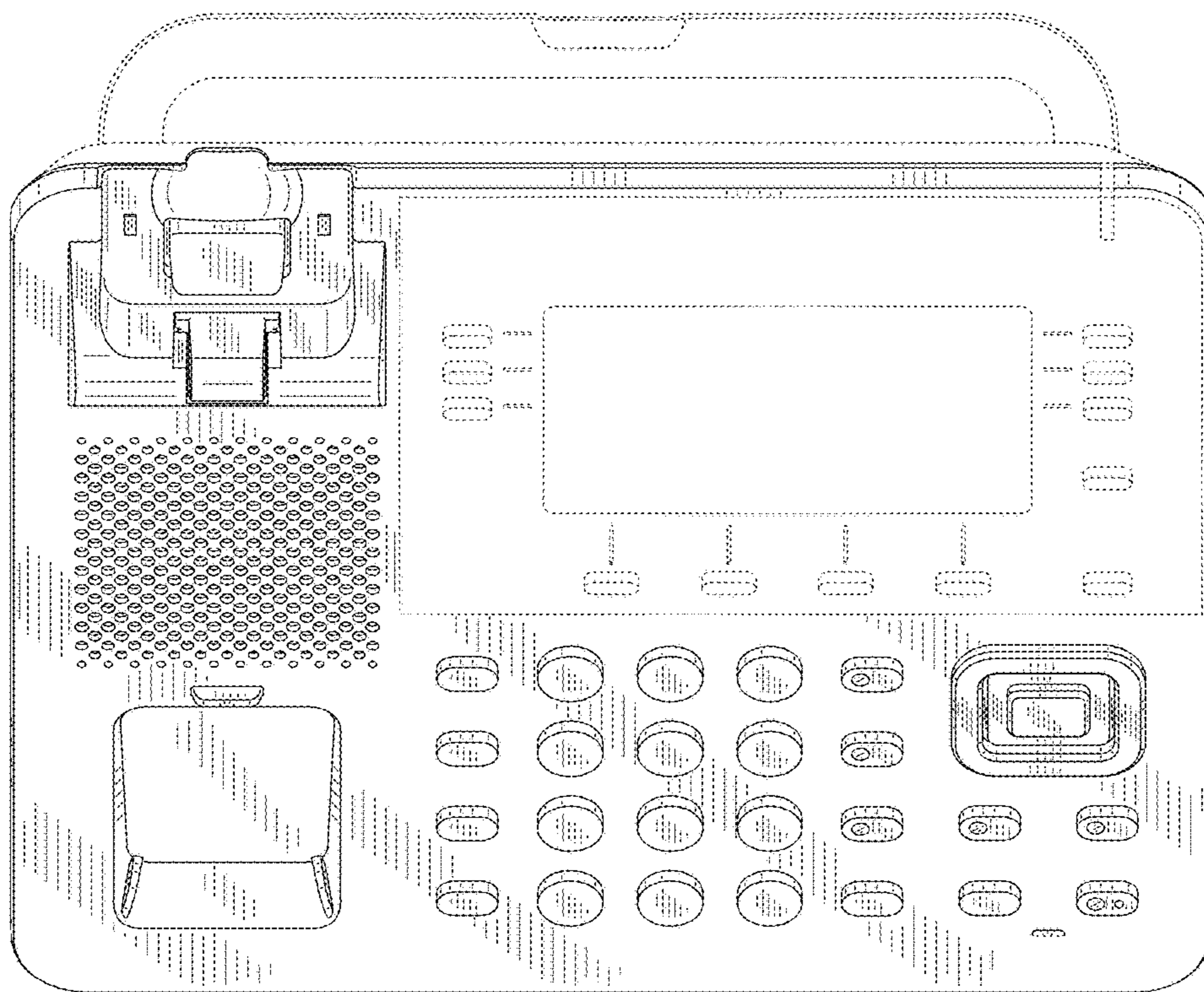


FIG. 8

