



US00D864137S

(12) **United States Design Patent**
Chang et al.

(10) **Patent No.:** **US D864,137 S**

(45) **Date of Patent:** **** Oct. 22, 2019**

(54) **CARE APPARATUS**

(71) Applicant: **Quanta Computer Inc.**, Taoyuan (TW)

(72) Inventors: **Chia-Yuan Chang**, Taoyuan (TW);
Jung-Wen Chang, Taoyuan (TW);
Kao-Yu Hsu, Taoyuan (TW)

(73) Assignee: **QUANTA CORPORATION**, Taoyuan (TW)

(**) Term: **15 Years**

(21) Appl. No.: **29/655,649**

(22) Filed: **Jul. 5, 2018**

(30) **Foreign Application Priority Data**

Jun. 4, 2018 (TW) 107303150

(51) **LOC (12) Cl.** **14-03**

(52) **U.S. Cl.**

USPC **D14/129**; D16/208; D24/185

(58) **Field of Classification Search**

USPC D14/302, 303, 305, 307, 336, 388, 389,
D14/496, 126, 129, 130, 140, 140.2, 142,
D14/144, 299, 314, 318; D24/127, 128,
D24/158, 160, 161, 185, 186, 107, 137;
D16/208

CPC H04M 1/0264; H04M 1/0266; H04M
1/0295; H04M 2201/50; H04M 2250/20;
H04N 1/00302; H04N 2007/145; H04N
7/14; H04N 7/142

See application file for complete search history.

(56) **References Cited**

U.S. PATENT DOCUMENTS

D150,251 S * 7/1948 Pettigrew D14/126
D309,304 S * 7/1990 Takada D14/130
D342,512 S * 12/1993 Ebihara D14/126

D381,651 S * 7/1997 Banik D14/129
6,141,052 A * 10/2000 Fukumitsu G06F 1/1616
348/14.08
D457,882 S * 5/2002 Harcsztark D14/337
D463,780 S * 10/2002 Hung D14/130
D469,745 S * 2/2003 Soule, Jr. D14/127
D478,881 S * 8/2003 O'Leary D14/130
D489,342 S * 5/2004 Campbell D14/130
D490,516 S * 5/2004 Takahashi D24/107
D530,715 S * 10/2006 Wu D14/371
D533,525 S * 12/2006 Arie D14/129
D534,512 S * 1/2007 Kim D14/130
D550,195 S * 9/2007 Ju D14/151
D559,210 S * 1/2008 Brown D14/130
D559,211 S * 1/2008 Brown D14/130
D582,875 S * 12/2008 Haspil D14/138 G
D600,242 S * 9/2009 Yeh D14/341
D609,662 S * 2/2010 Noreng D14/130
D618,192 S * 6/2010 Huang D14/130
D626,102 S * 10/2010 Buzzard D14/129

(Continued)

Primary Examiner — Marie D. Fast Horse

(74) *Attorney, Agent, or Firm* — McClure, Qualey & Rodack, LLP

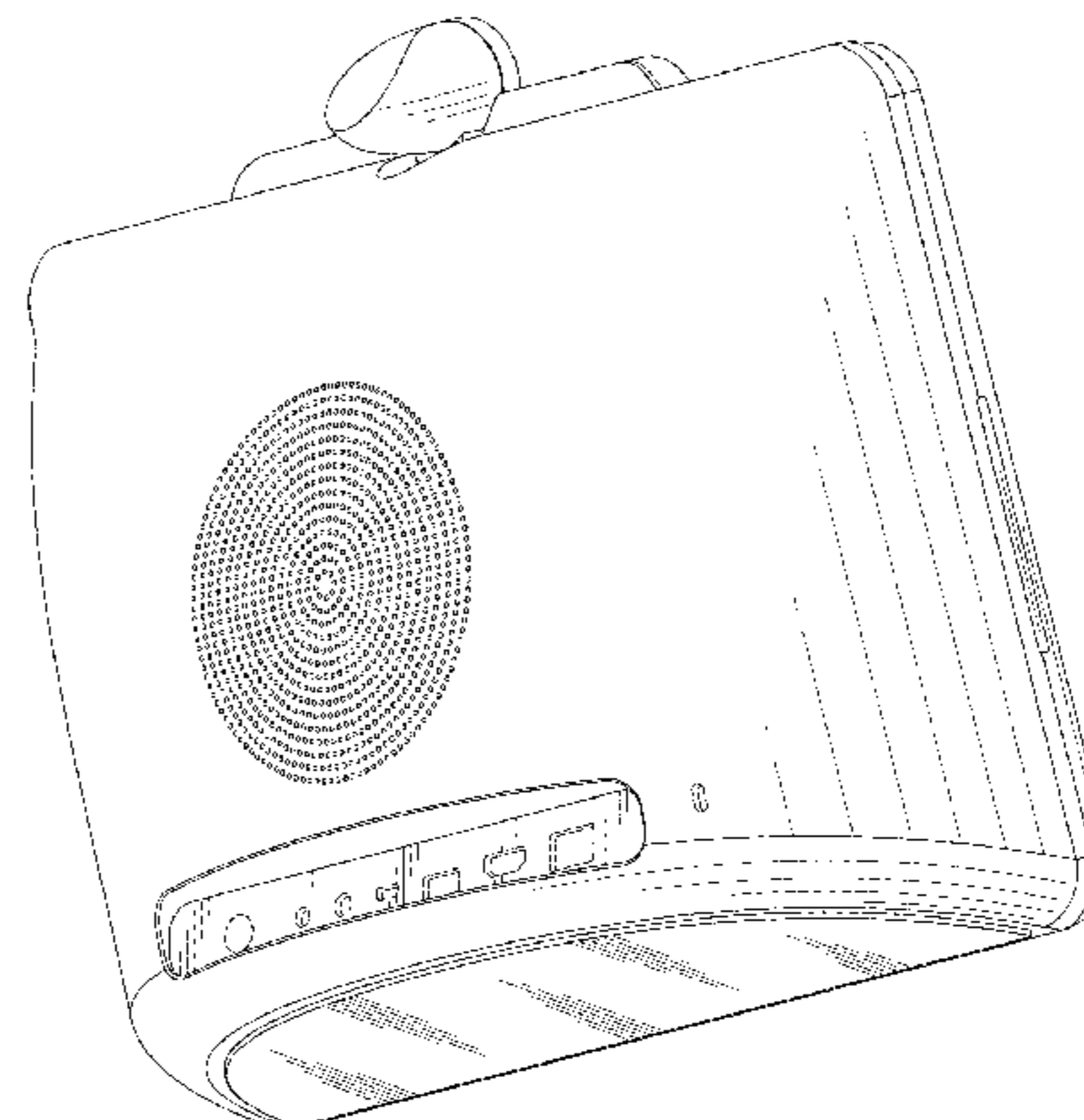
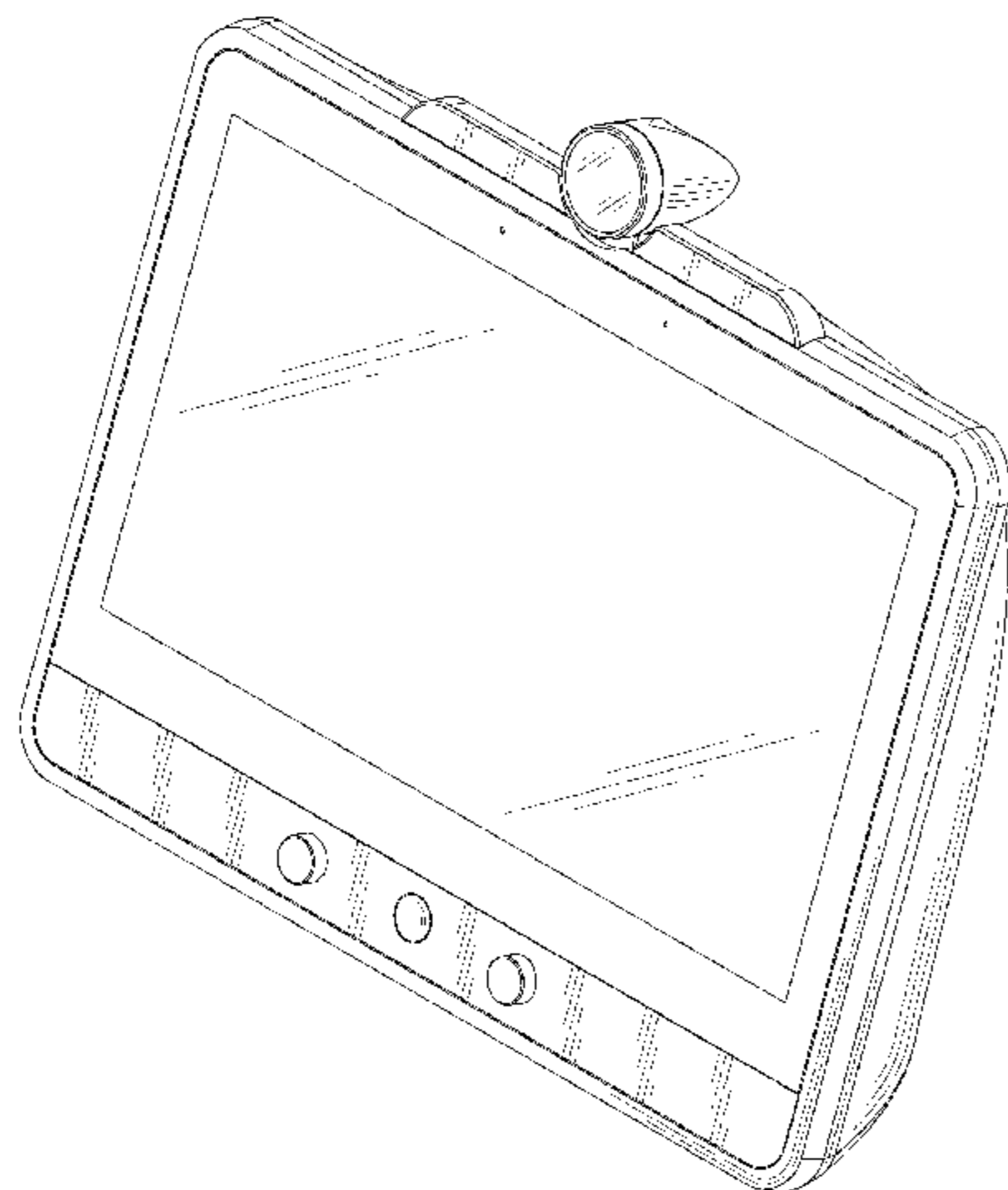
(57) **CLAIM**

The ornamental design for a care apparatus, as shown and described.

DESCRIPTION

FIG. 1 is a perspective view of a care apparatus showing our new design;
FIG. 2 is a front view thereof;
FIG. 3 is a rear view thereof;
FIG. 4 is a left side view thereof;
FIG. 5 is a right side view thereof;
FIG. 6 is a top plan view thereof;
FIG. 7 is a bottom plan view thereof; and,
FIG. 8 is another perspective view thereof.
The broken lines in the drawings depict parts of the care apparatus that form no part of the claim.

1 Claim, 8 Drawing Sheets



(56)

References Cited

U.S. PATENT DOCUMENTS

D629,771 S * 12/2010 Haspil D14/138 G
 D636,359 S * 4/2011 Buzzard D14/126
 D636,747 S * 4/2011 Buzzard D14/129
 D637,985 S * 5/2011 Andresen D14/129
 D639,268 S * 6/2011 DeLorenzo D14/130
 D639,801 S * 6/2011 Kuroda D14/307
 D639,804 S * 6/2011 Hwang D14/341
 D651,185 S * 12/2011 Andresen D14/129
 D656,137 S * 3/2012 Chung D14/341
 D690,293 S * 9/2013 Wilson D14/307
 D692,042 S * 10/2013 Dawes D16/203
 D706,239 S * 6/2014 Chen D14/186
 D718,730 S * 12/2014 Andresen D14/126
 D723,173 S * 2/2015 Kim D14/371
 D728,656 S * 5/2015 Goldenberg D16/208
 D739,364 S * 9/2015 Mellingen D14/126
 D748,674 S * 2/2016 Cheung D14/496
 D751,205 S * 3/2016 Tan D24/158
 D756,322 S * 5/2016 Ostensen D14/126
 D758,984 S * 6/2016 Maxwell D14/130

D760,671 S * 7/2016 Chalabi D14/125
 D767,518 S * 9/2016 Kim D14/130
 D769,839 S * 10/2016 Tani D14/130
 D771,821 S * 11/2016 Hilbig D24/186
 D778,857 S * 2/2017 Liu D14/126
 D783,172 S * 4/2017 Hilbig D24/186
 D784,541 S * 4/2017 Hilbig D24/186
 D792,362 S * 7/2017 Maxwell D14/130
 D804,013 S * 11/2017 Carreon D24/107
 D829,804 S * 10/2018 Goldenberg D16/208
 D831,639 S * 10/2018 Terry D14/307
 D835,281 S * 12/2018 Clifford D24/185
 D836,579 S * 12/2018 Gannon D14/126
 D836,626 S * 12/2018 Gu D14/314
 2002/0057334 A1 * 5/2002 Mukai H04N 7/142
 348/14.01
 2008/0055394 A1 * 3/2008 Shiue H04N 7/142
 348/14.01
 2014/0197240 A1 * 7/2014 Mistkawi G06K 7/10821
 235/470
 2015/0109401 A1 * 4/2015 Kasatani H04N 7/142
 348/14.07

* cited by examiner

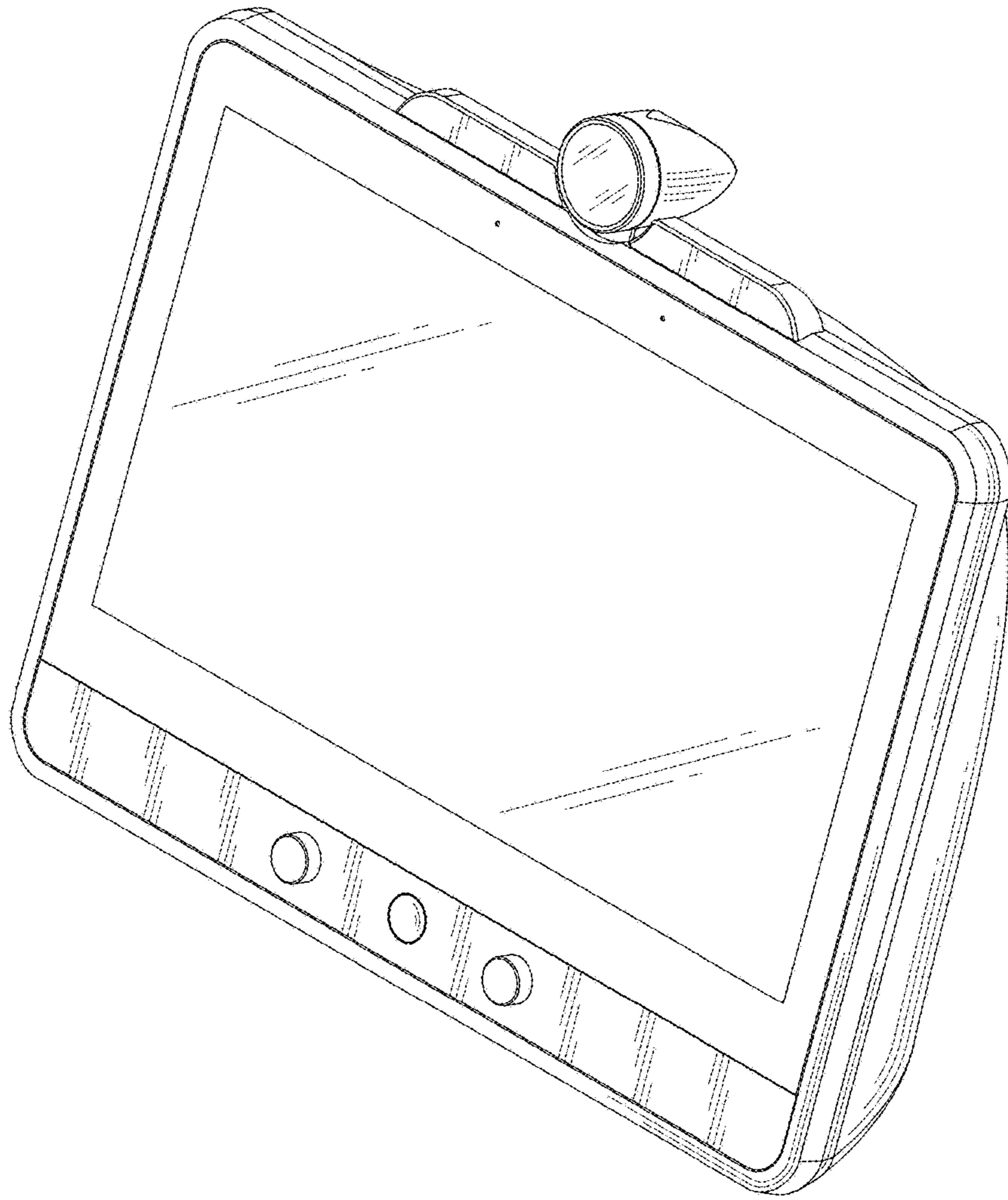


FIG. 1

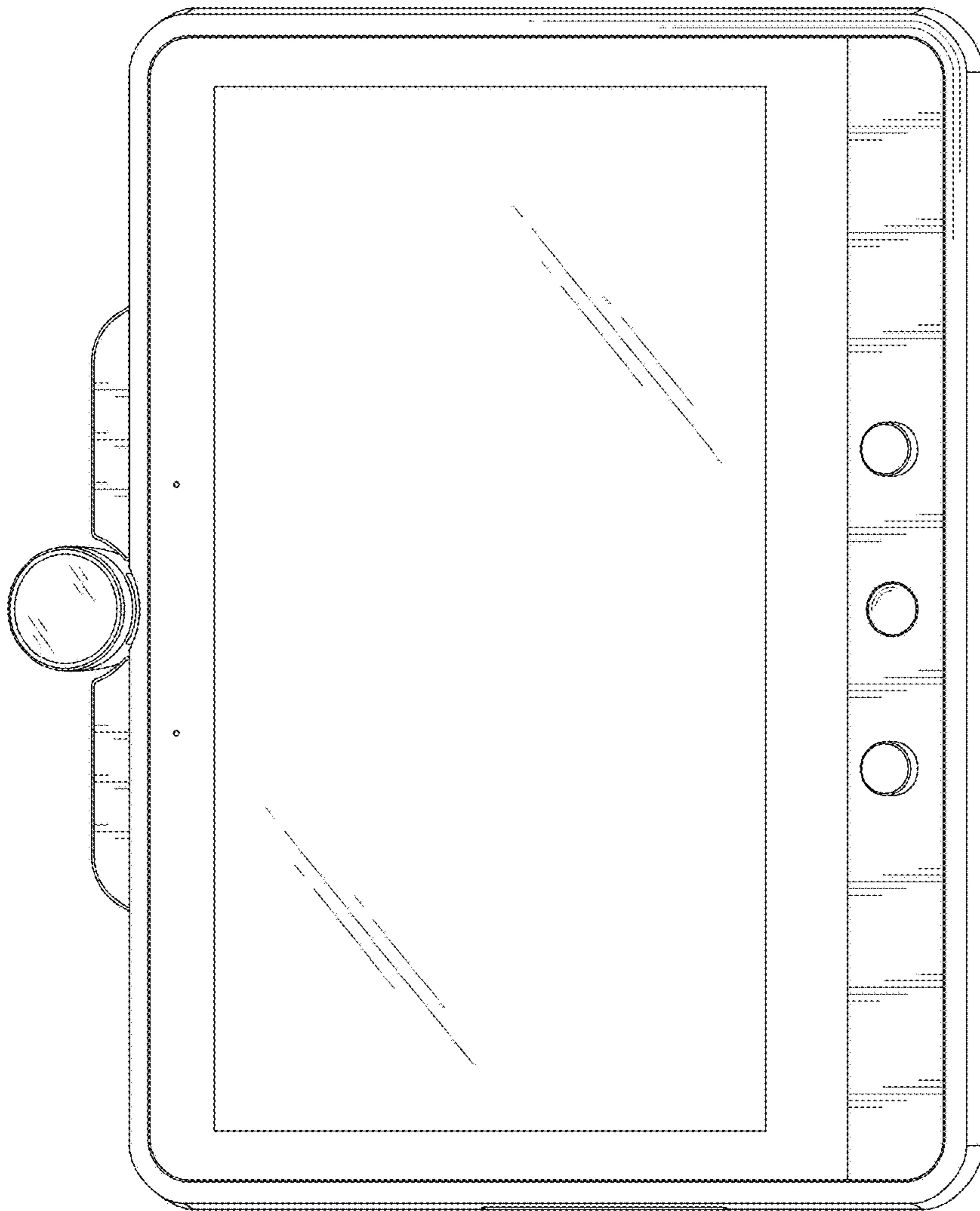


FIG. 2

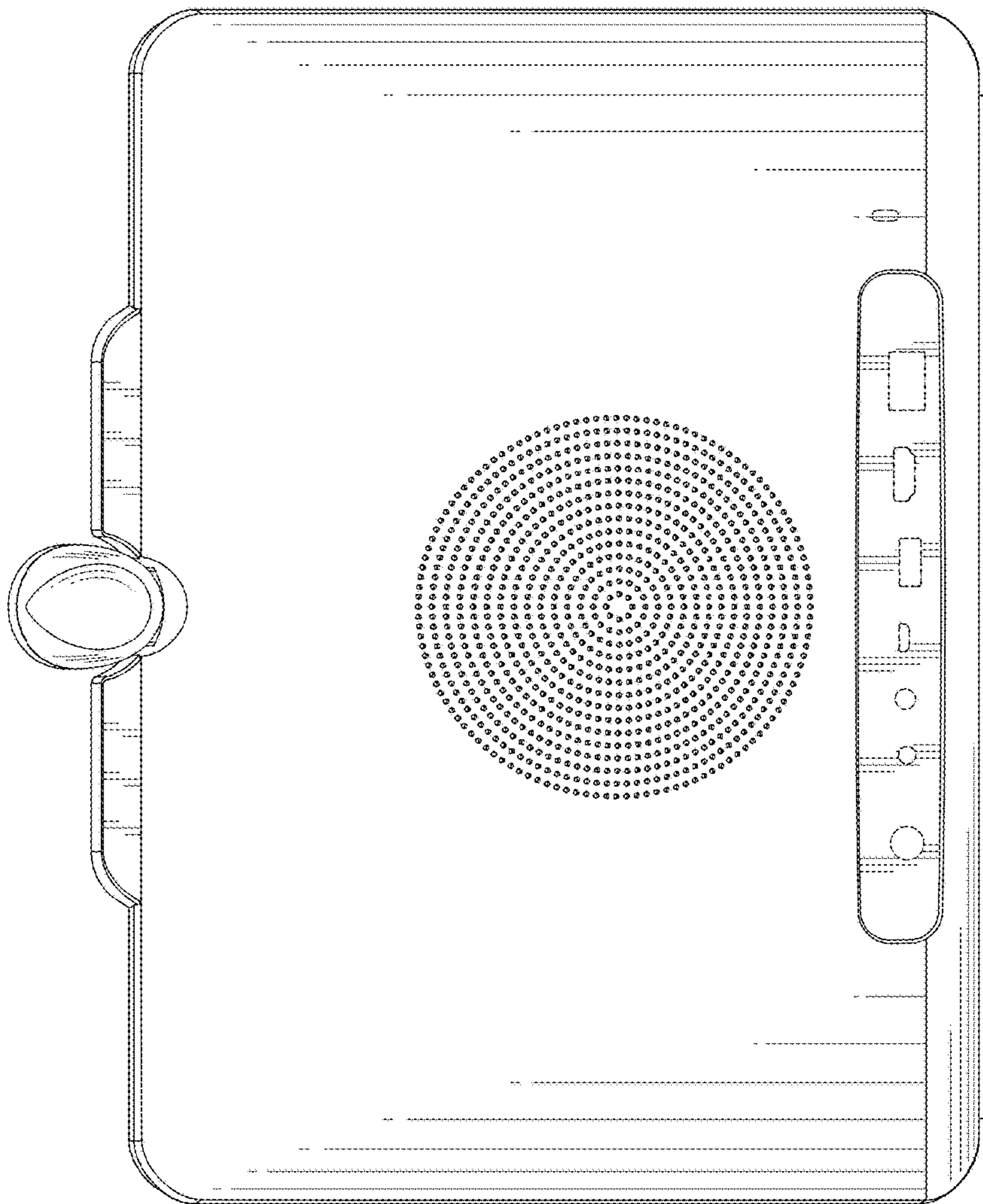


FIG. 3

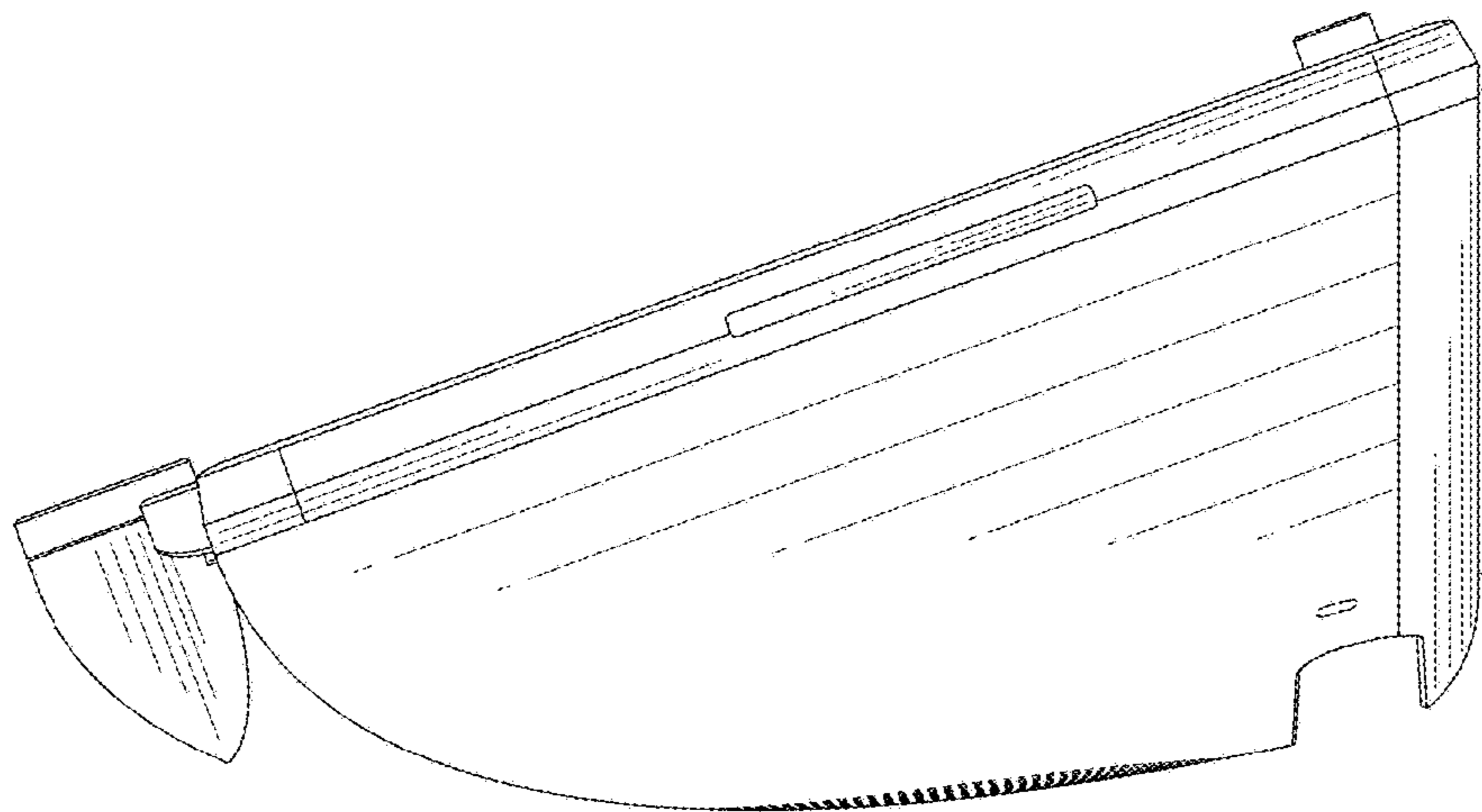


FIG. 4

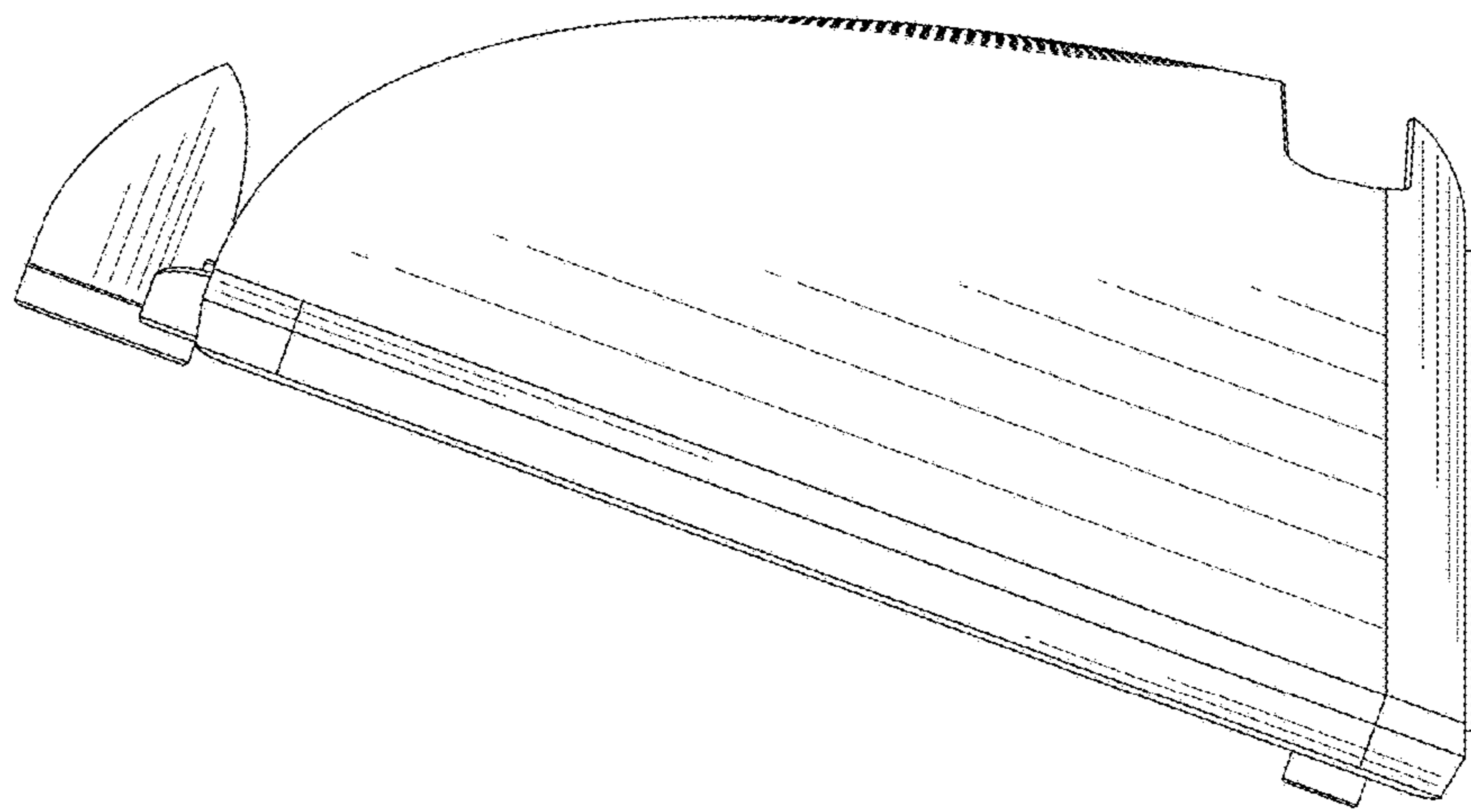


FIG. 5

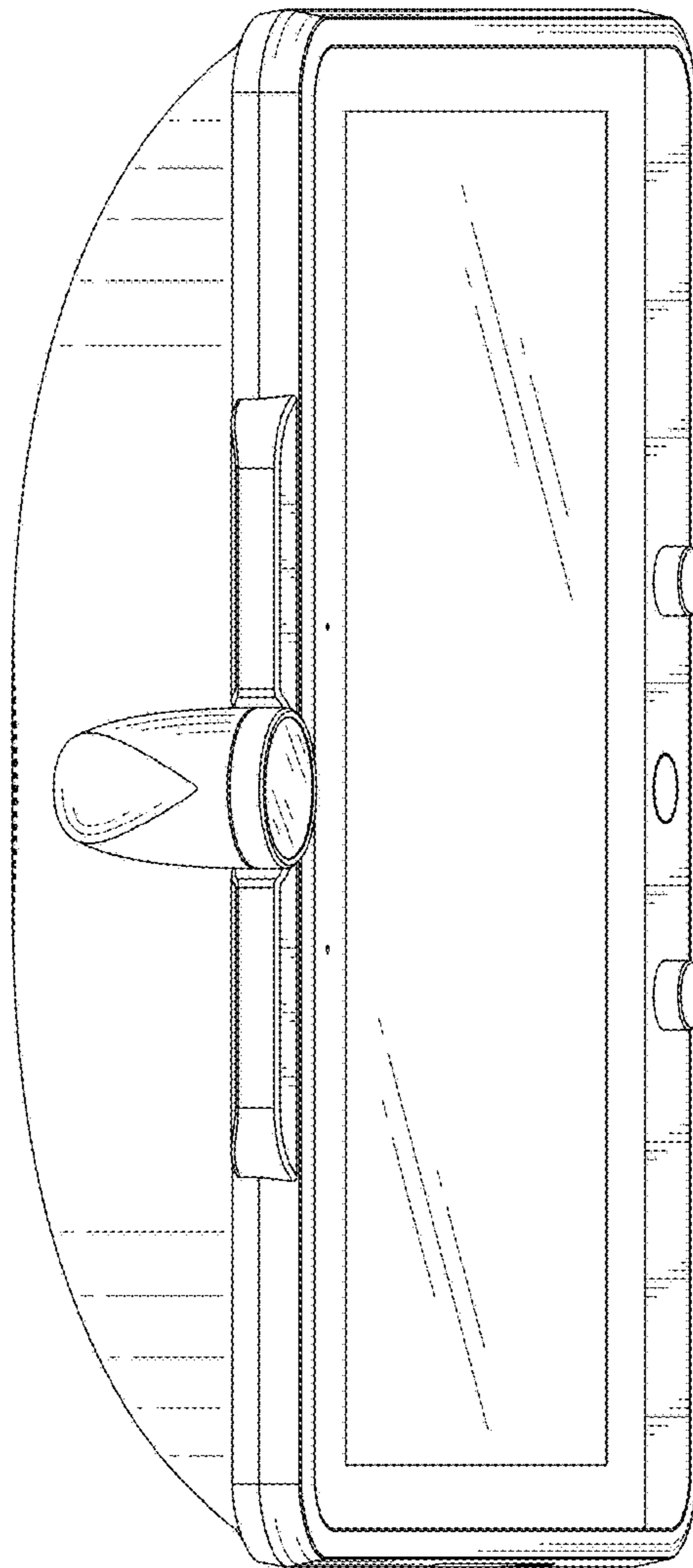


FIG. 6

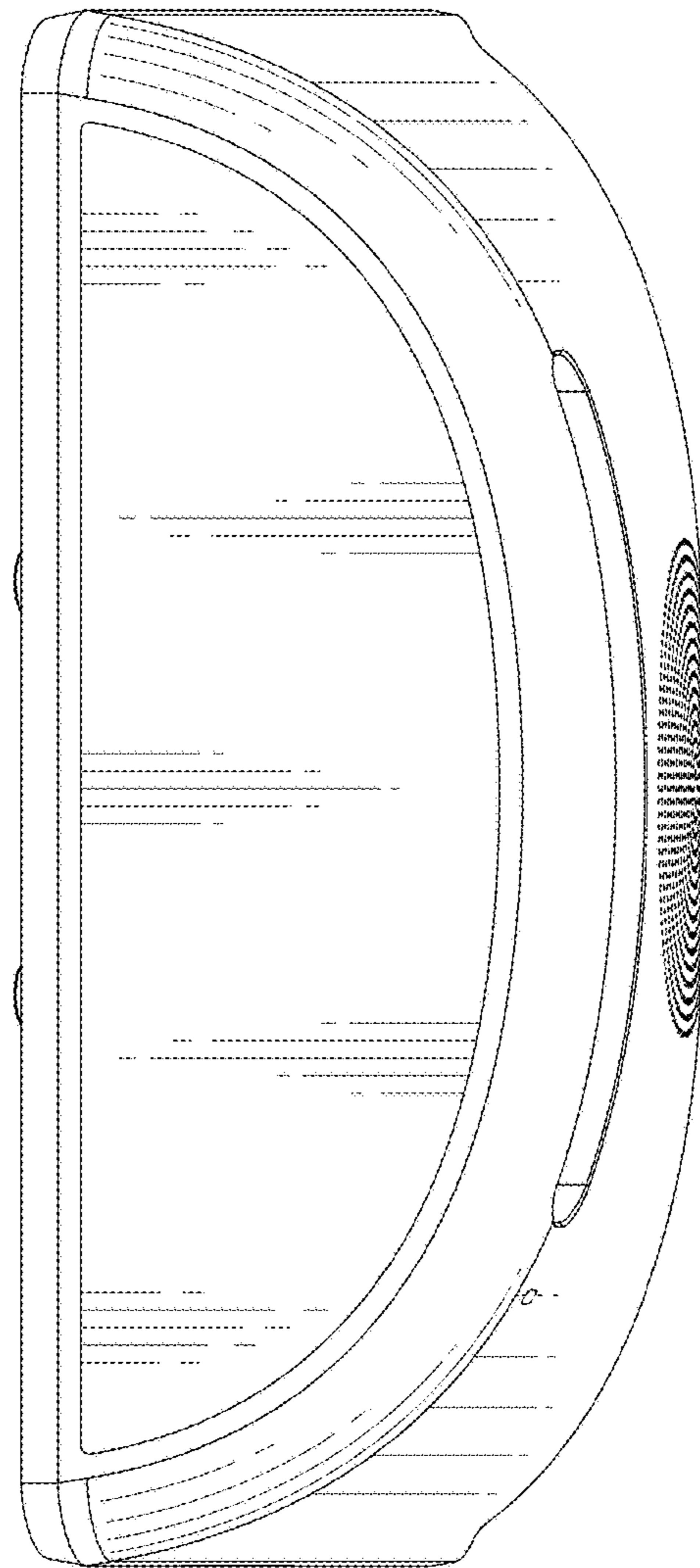


FIG. 7

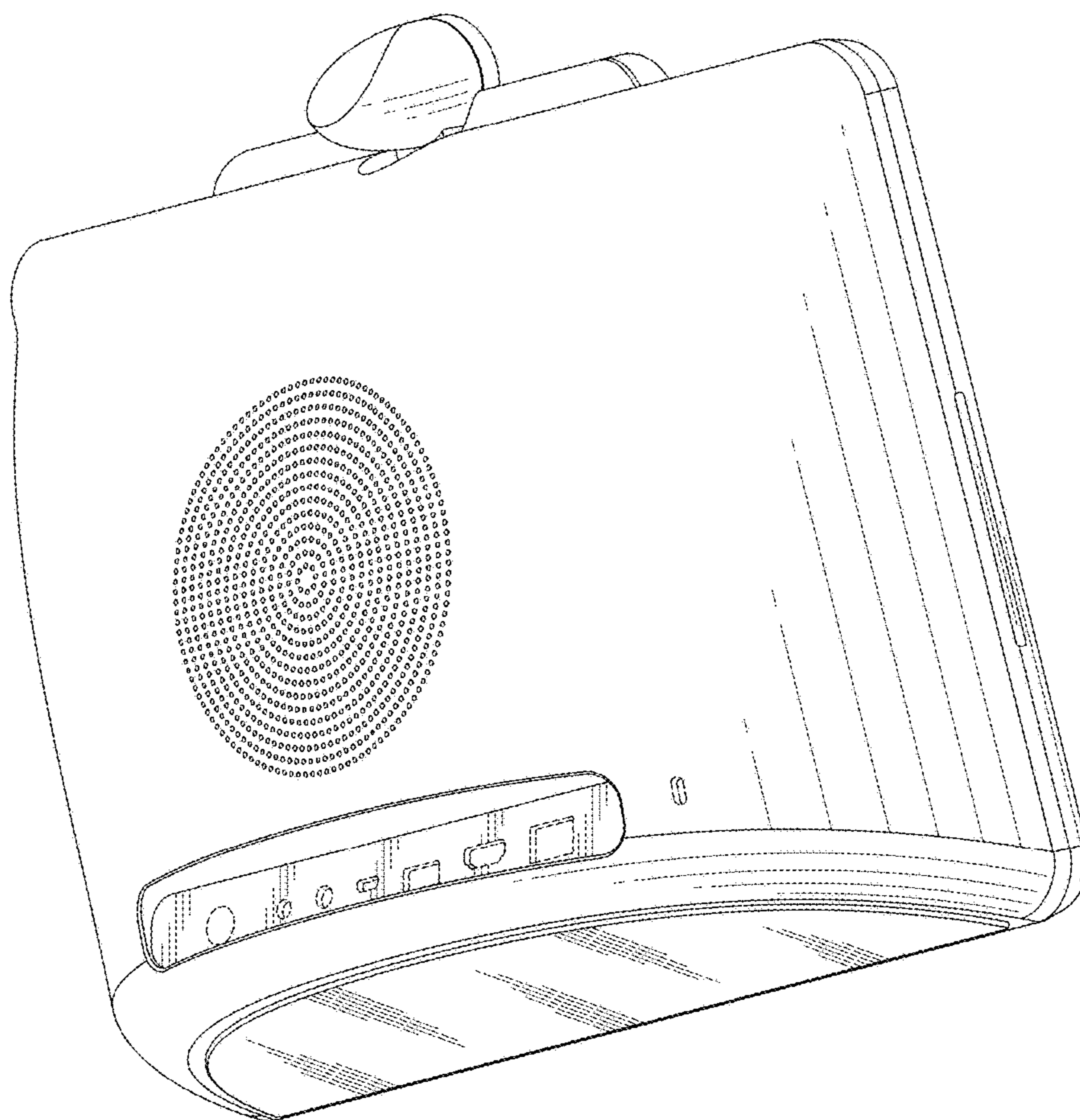


FIG. 8