



US00D864136S

(12) **United States Design Patent**
Kim et al.

(10) **Patent No.:** **US D864,136 S**
(45) **Date of Patent:** **** Oct. 22, 2019**

(54) **TELEVISION RECEIVER**

(71) Applicant: **SAMSUNG ELECTRONICS CO., LTD.**, Suwon-si, Gyeonggi-do (KR)

(72) Inventors: **Ji-Gwang Kim**, Seoul (KR); **Eun-Ah Kim**, Seoul (KR); **Su-An Choi**, Seoul (KR)

(73) Assignee: **SAMSUNG ELECTRONICS CO., LTD.**, Gyeonggi-Do (KR)

(**) Term: **15 Years**

(21) Appl. No.: **29/654,882**

(22) Filed: **Jun. 28, 2018**

(30) **Foreign Application Priority Data**

Jan. 5, 2018 (KR) 30-2018-0000862

(51) **LOC (12) Cl.** **14-03**

(52) **U.S. Cl.**
USPC **D14/126**

(58) **Field of Classification Search**
USPC D14/371, 373-377, 382, 451, 126, 239,
D14/125, 127, 129; D6/708, 708.16, 300,
D6/308, 310-313, 691.6; D8/349, 354,
D8/363, 373, 376, 380; D21/691
CPC G06F 1/1601; H04N 5/64; H04N 5/655;
H05K 5/0017; H05K 5/0234
See application file for complete search history.

(56) **References Cited**

U.S. PATENT DOCUMENTS

D235,834 S * 7/1975 Payne D6/691.6
6,063,005 A * 5/2000 Schwartz A63K 3/043
482/16

D508,055 S * 8/2005 Lo D14/451
D671,540 S * 11/2012 Yukawa D14/451
D695,245 S * 12/2013 Hara D14/126
D699,713 S * 2/2014 Seong D14/239
D742,364 S * 11/2015 Reinhertz D14/239
D783,555 S * 4/2017 Cho D14/126
D805,487 S * 12/2017 Kim D14/126
D817,902 S * 5/2018 Lee D14/126
D819,583 S * 6/2018 Lee D14/126
D820,846 S * 6/2018 Lee D14/451
D824,355 S * 7/2018 Kim D14/126
2017/0295659 A1* 10/2017 Hori H05K 5/0017

* cited by examiner

Primary Examiner — Brett Miller

(74) *Attorney, Agent, or Firm* — Cantor Colburn LLP

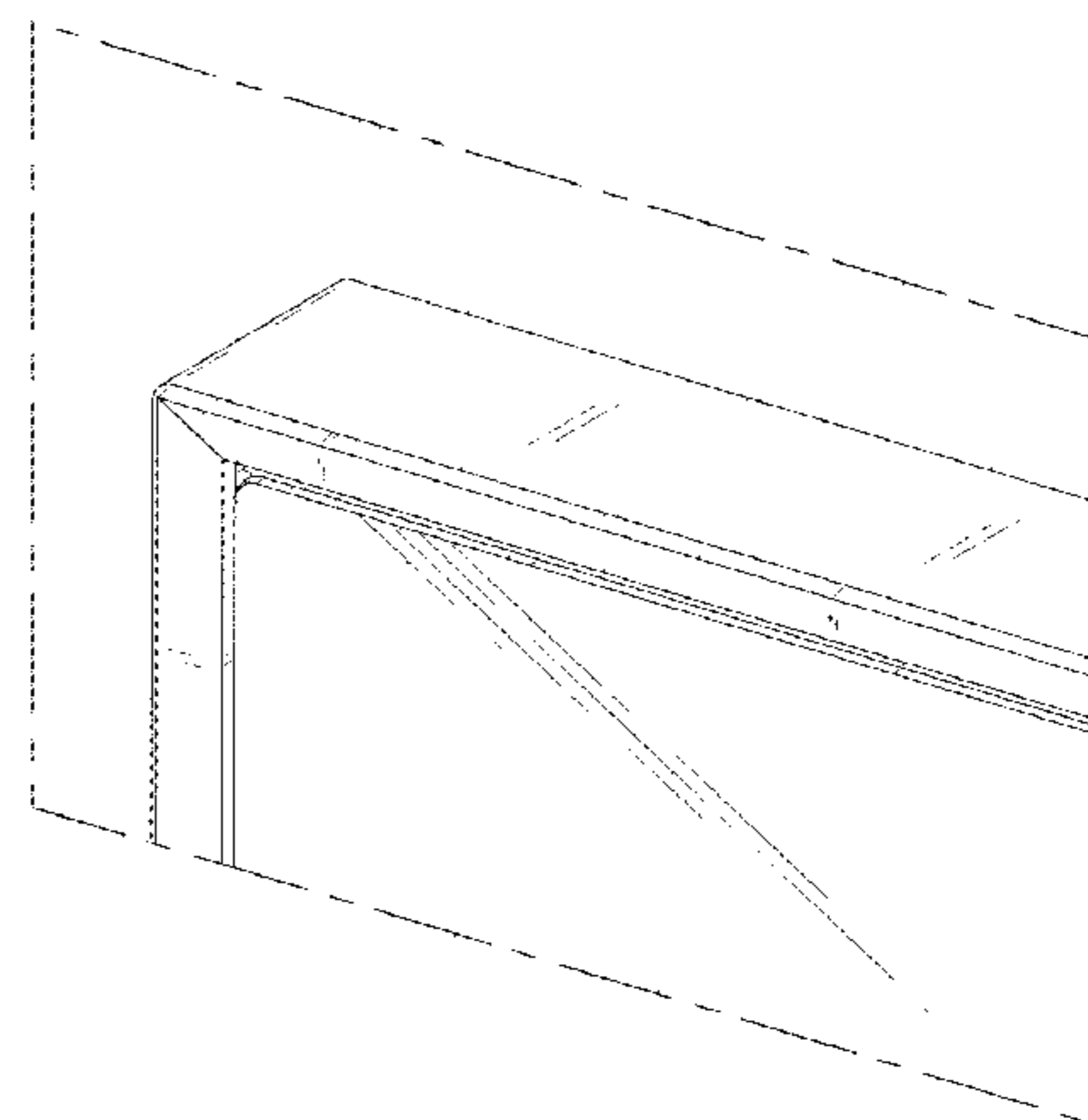
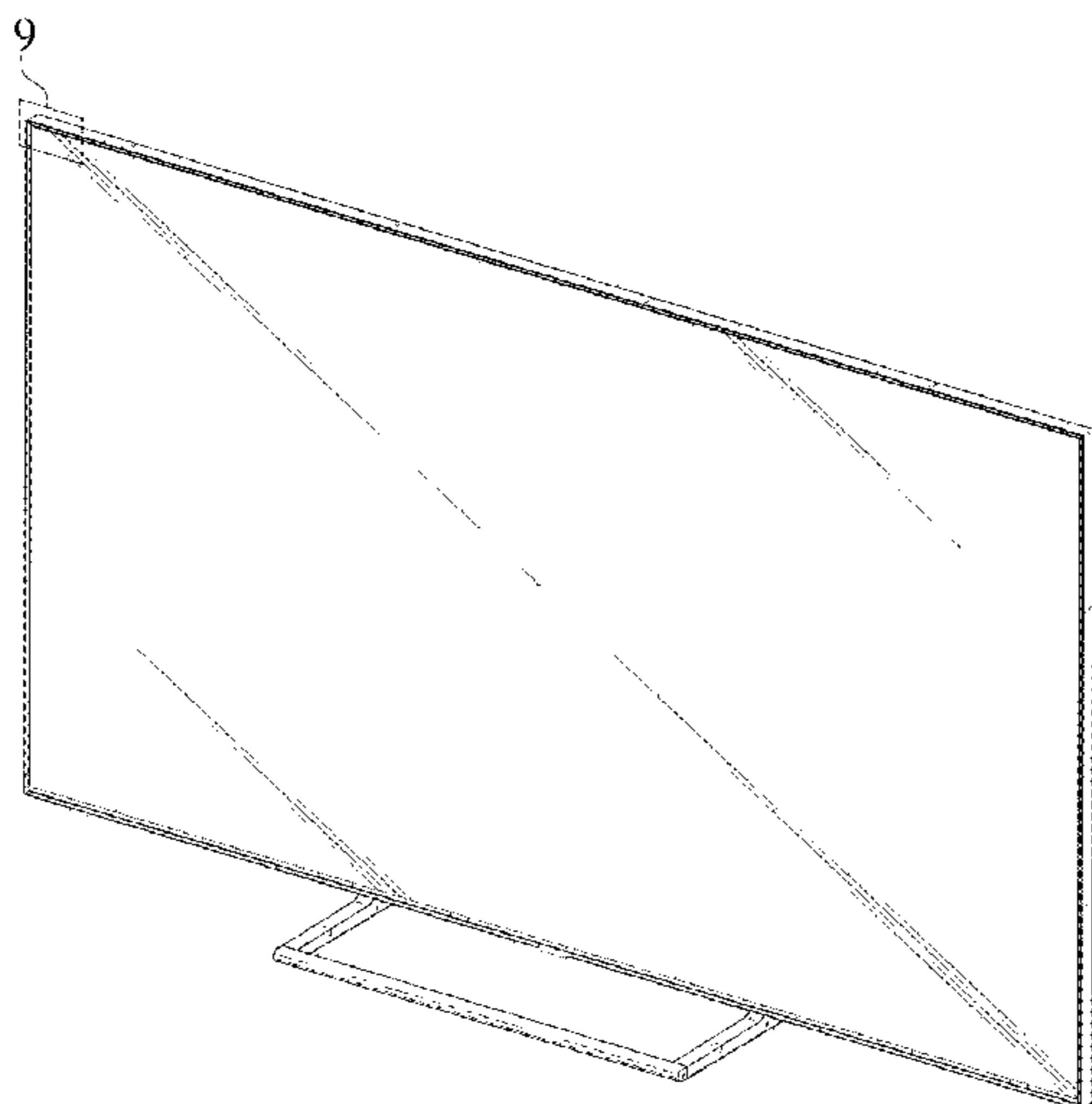
(57) **CLAIM**

The ornamental design for a television receiver, as shown and described.

DESCRIPTION

FIG. 1 is a front perspective view of a television receiver, showing our new design;
FIG. 2 is a front view thereof;
FIG. 3 is a rear view thereof;
FIG. 4 is a left-side view thereof;
FIG. 5 is a right-side view thereof;
FIG. 6 is a top view thereof;
FIG. 7 is a bottom view thereof;
FIG. 8 is a rear perspective view thereof;
FIG. 9 is an enlarged view of the portion 9 in FIG. 1; and,
FIG. 10 is an enlarged view of the portion 10 in FIG. 2.
The even-dash broken lines immediately adjacent the shaded areas represent the bounds of the claimed design while all other even-dash broken lines are directed to environment and are for illustrative purposes only; the even-dash broken lines form no part of the claimed design.

1 Claim, 10 Drawing Sheets



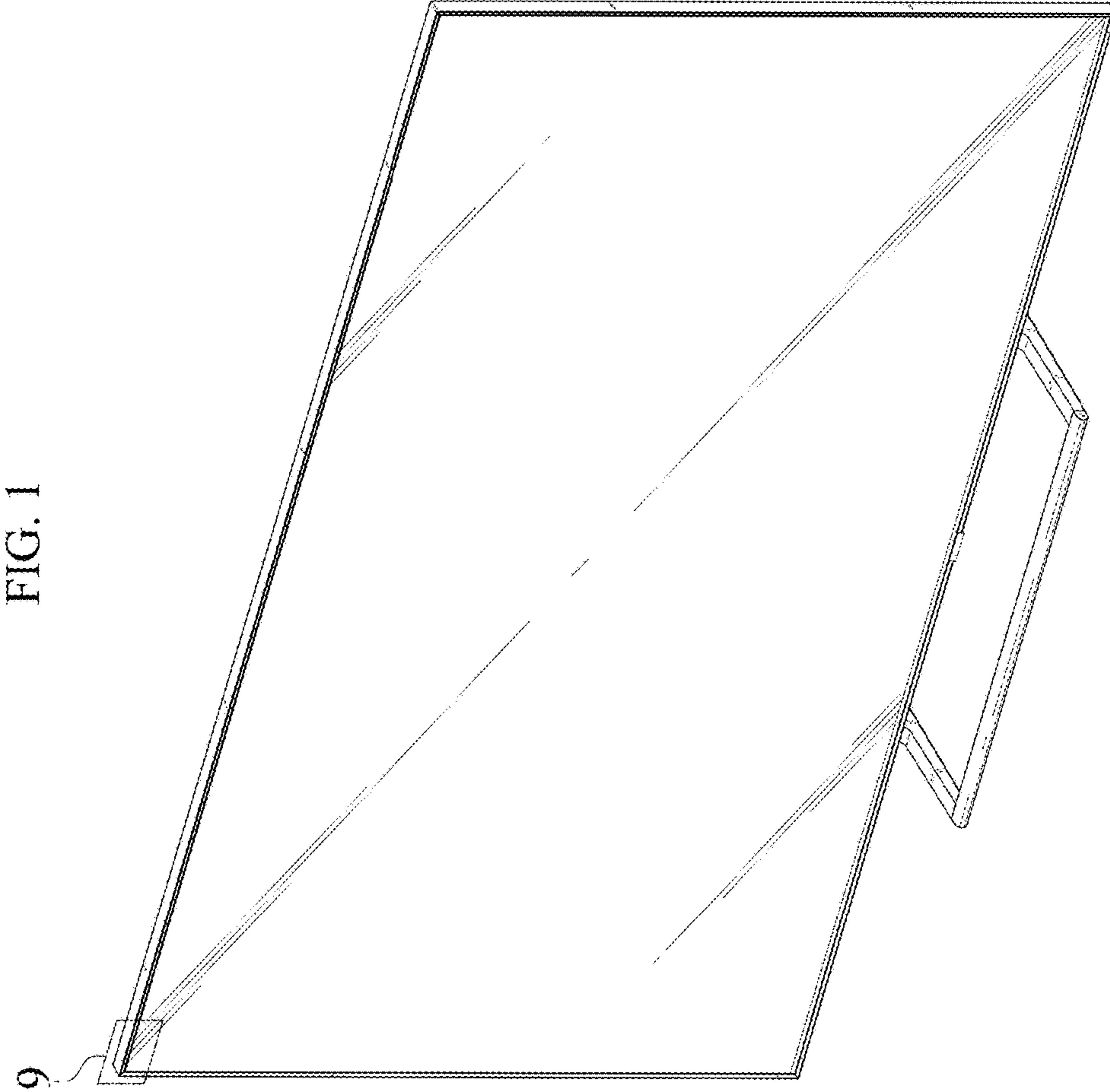


FIG. 2

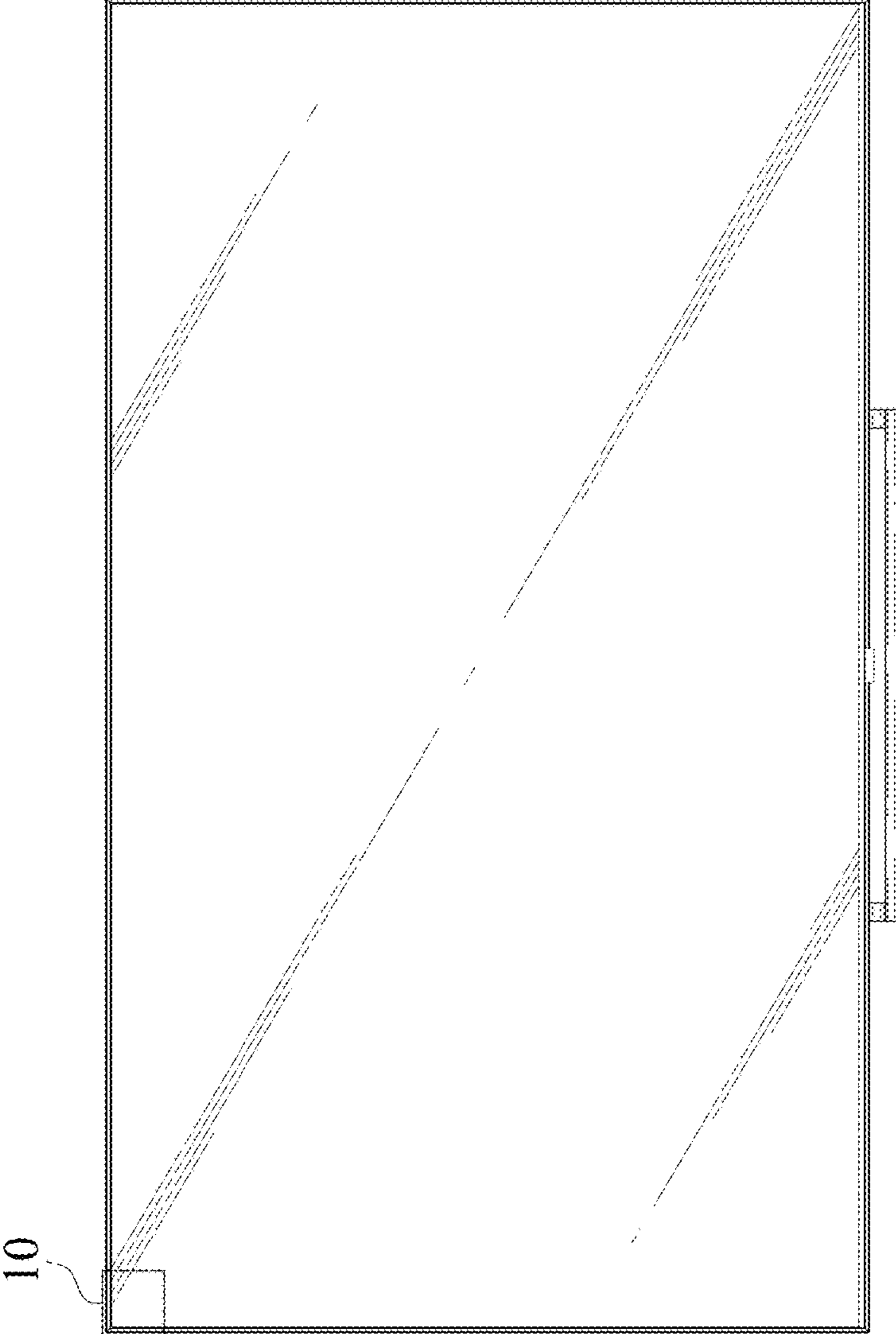


FIG. 3

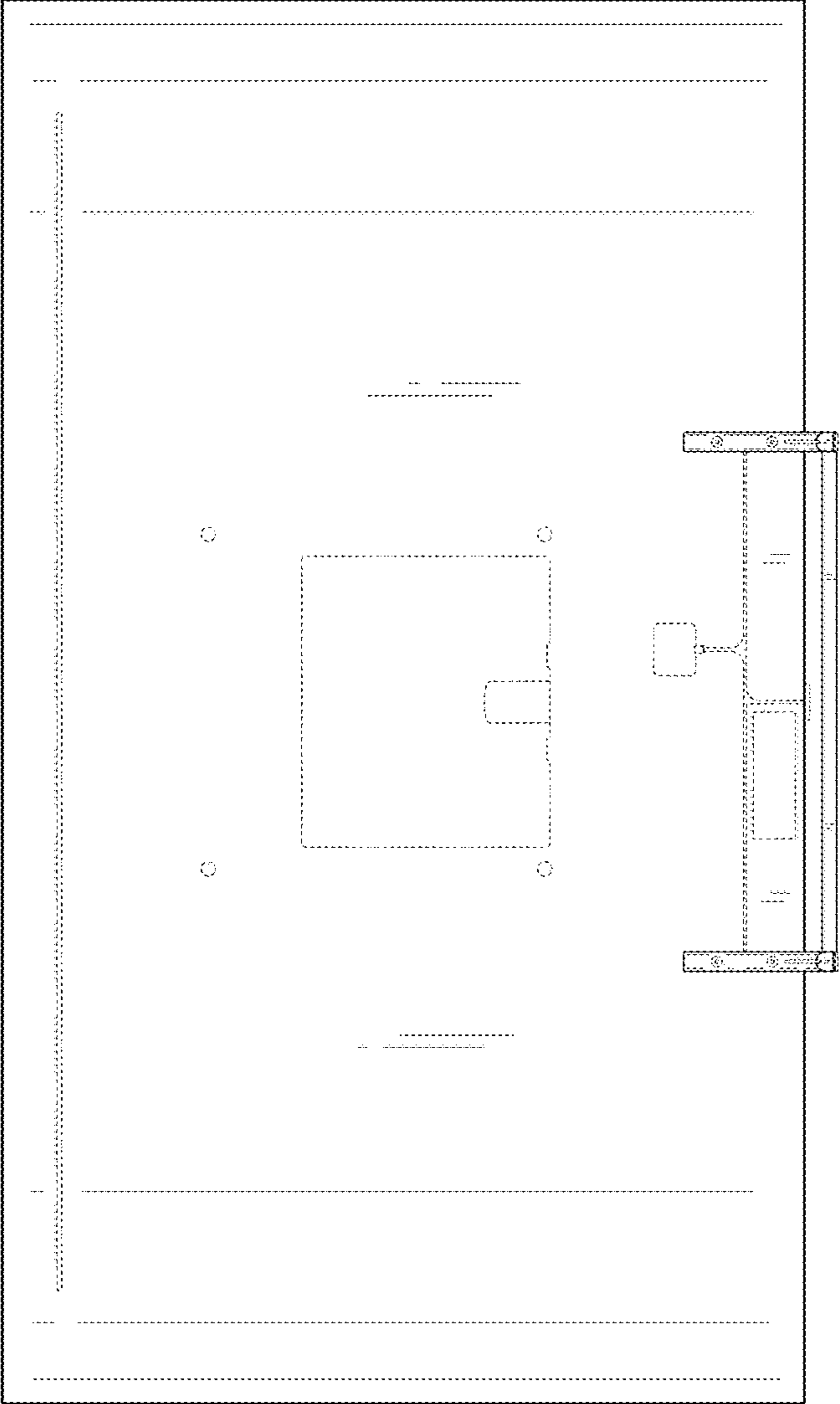


FIG. 4

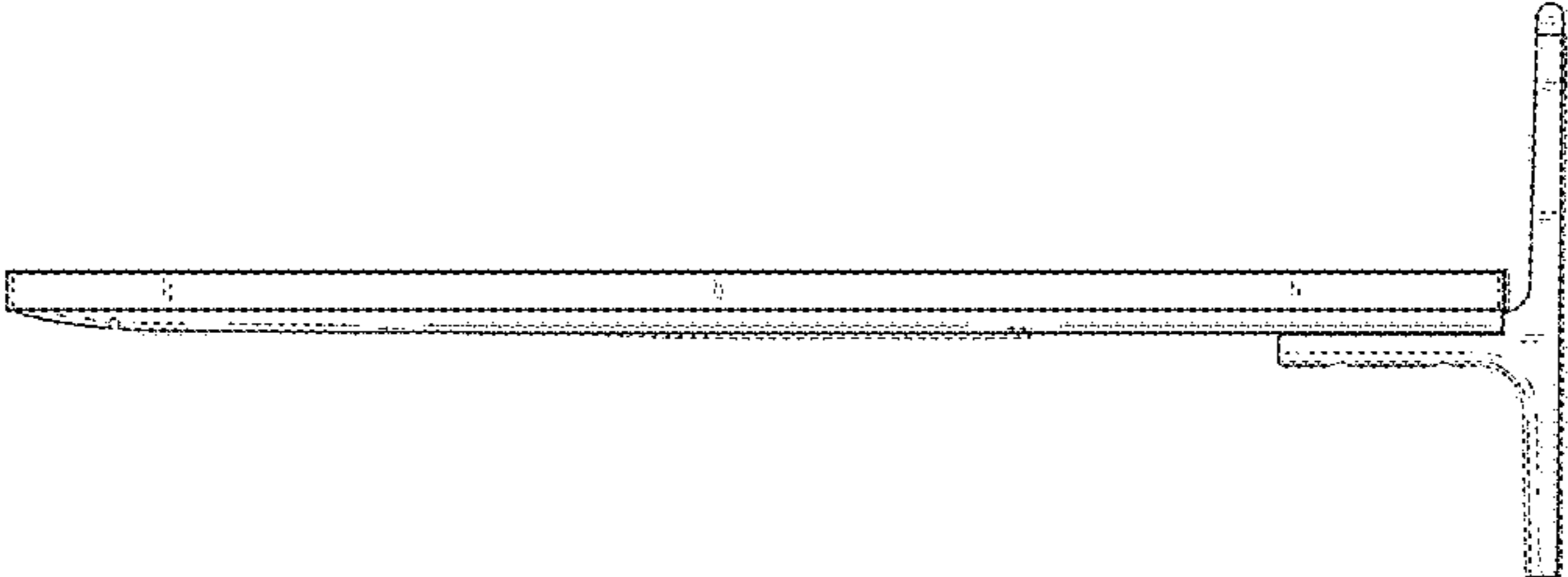


FIG. 5

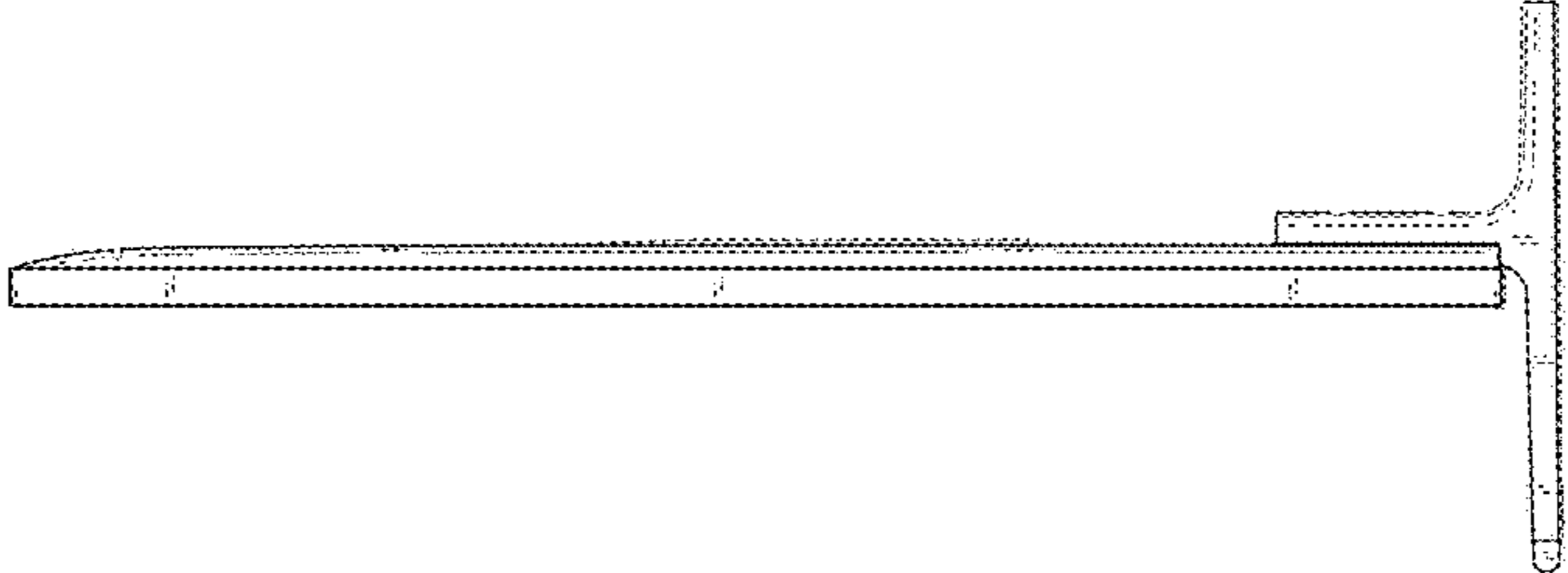


FIG. 6

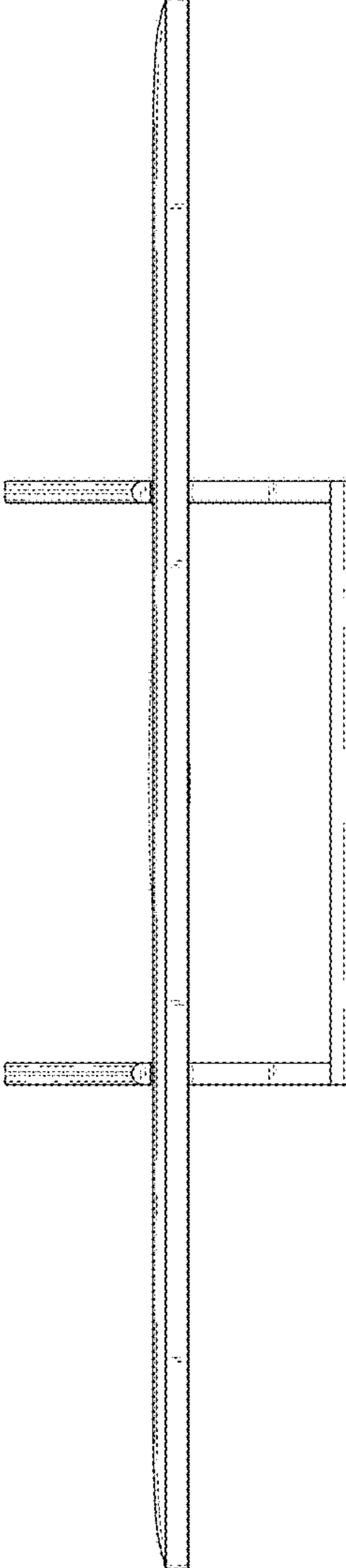


FIG. 7

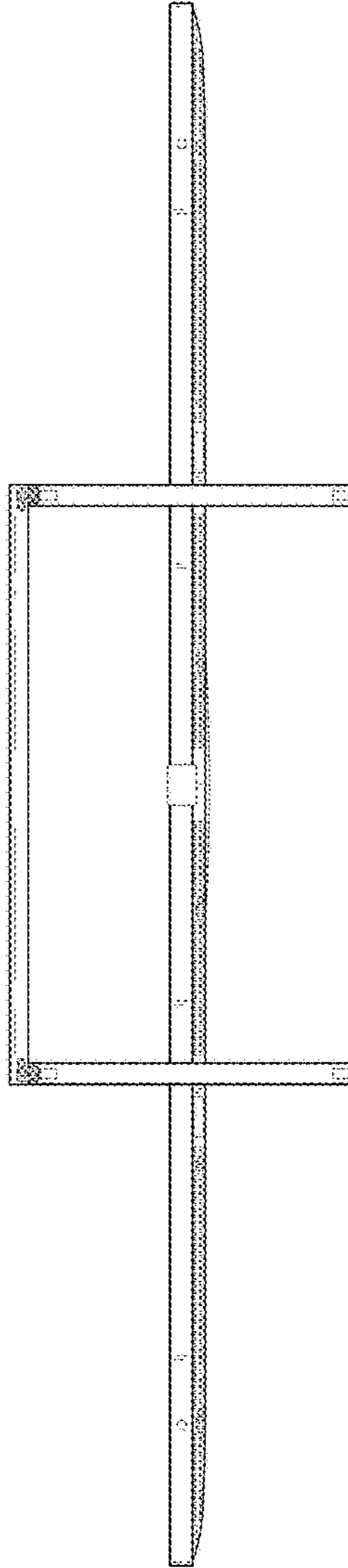


FIG. 8

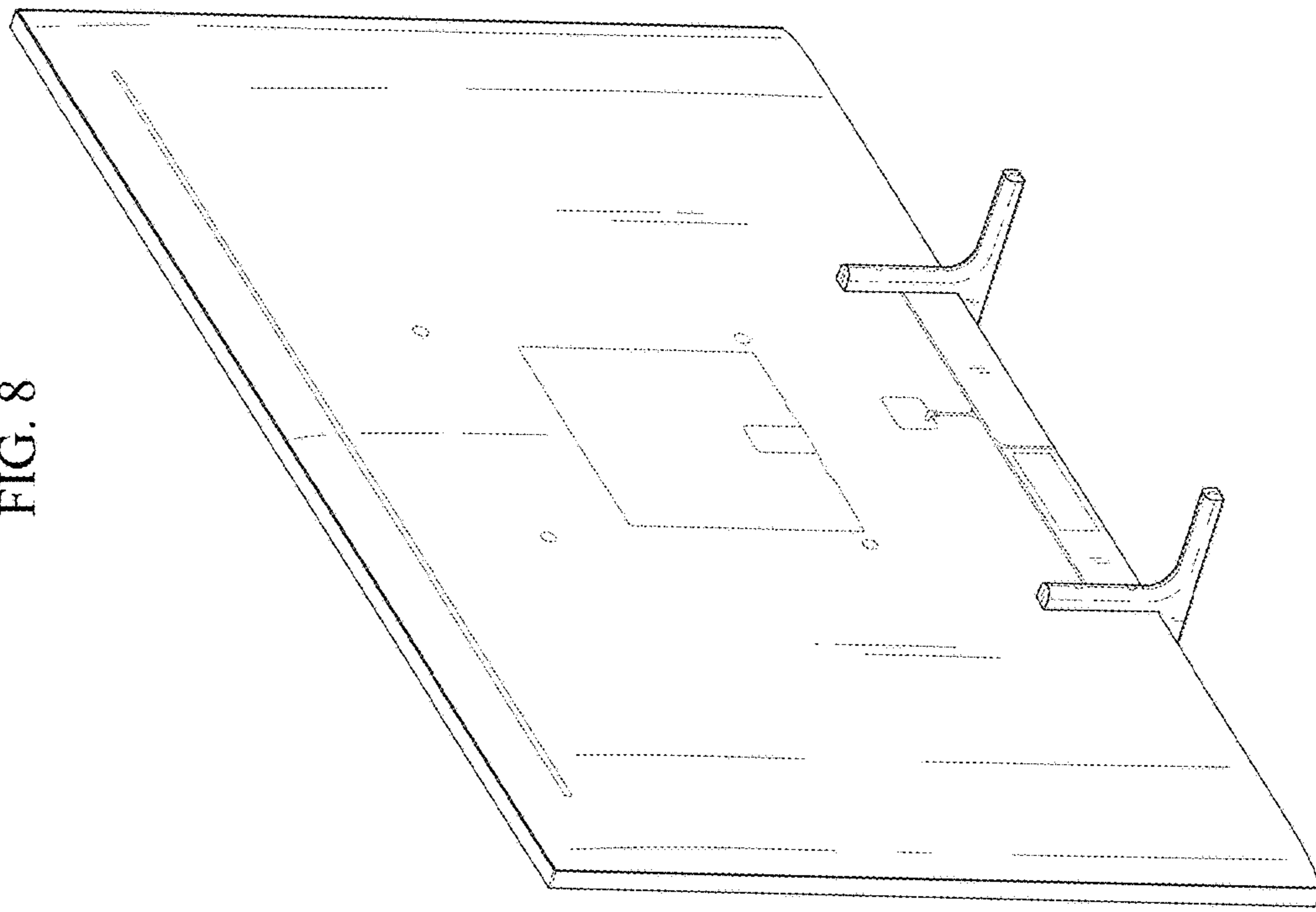


FIG. 9

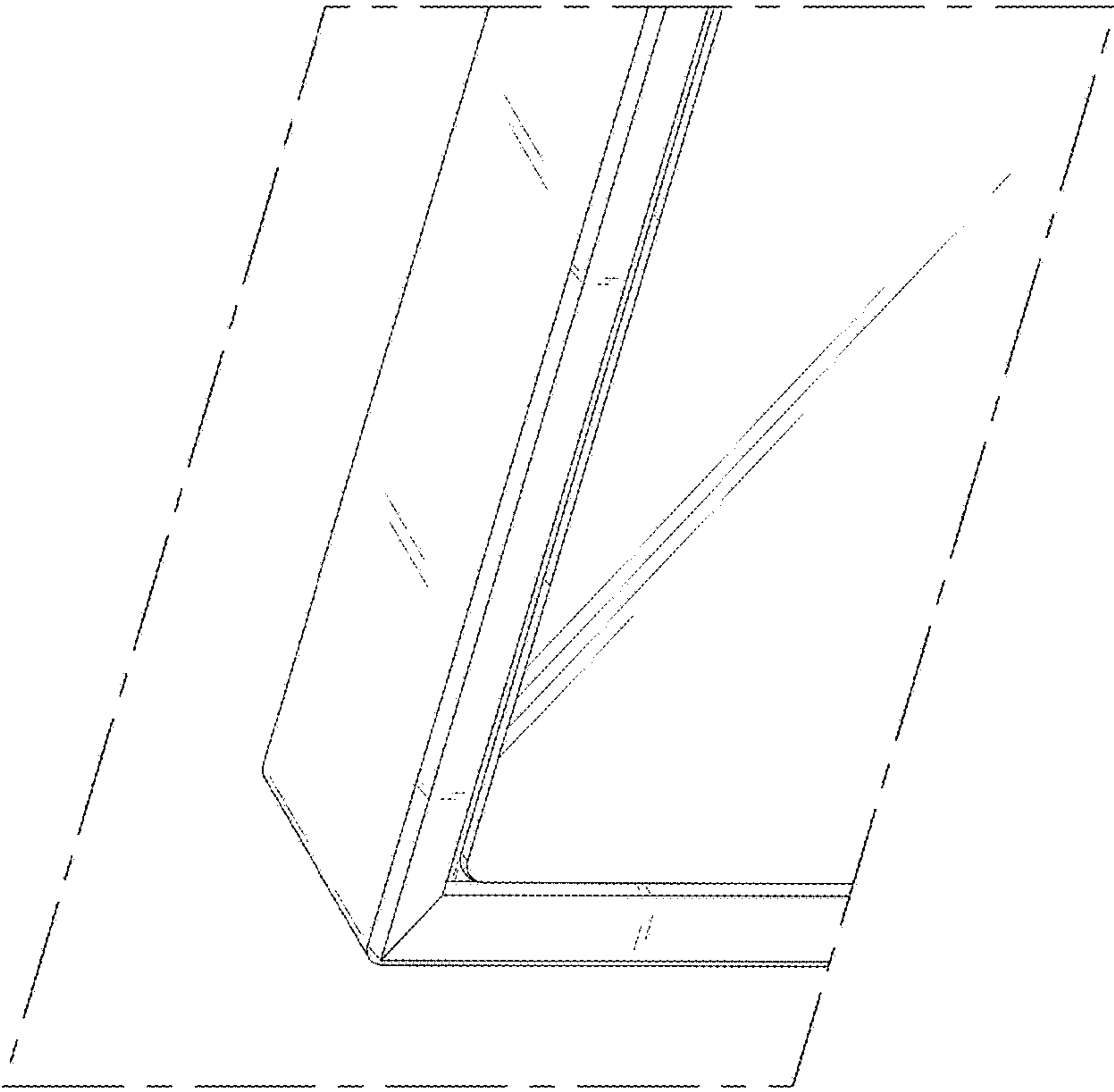


FIG. 10

