



US00D864134S

(12) **United States Design Patent**
Watarai et al.

(10) **Patent No.:** **US D864,134 S**
(45) **Date of Patent:** **** Oct. 22, 2019**

- (54) **SUSCEPTOR**
- (71) Applicant: **ASM IP Holding B.V.**, Almere (NL)
- (72) Inventors: **Toshiharu Watarai**, Chofu (JP); **Yozo Ikedo**, Machida (JP); **Takuya Suguri**, Tsu (JP)
- (73) Assignee: **ASM IP Holding B.V.**, Almere (NL)
- (**) Term: **15 Years**
- (21) Appl. No.: **29/667,702**
- (22) Filed: **Oct. 24, 2018**
- (51) **LOC (12) Cl.** **13-03**
- (52) **U.S. Cl.**
USPC **D13/182**
- (58) **Field of Classification Search**
USPC D13/182, 199; D25/199; 438/6, 67, 107, 438/149; 257/625; 118/715, 720, 724, 118/725, 728, 729; 204/192.1, 298.01
CPC C23C 16/46; C23C 16/463; C23C 16/466; C23C 16/458; C23C 16/4581; C23C 16/4582; C23C 16/4583; C23C 16/4587; C23C 16/481; C23C 16/50; C23C 14/50; C23C 14/505; H01L 21/67005; H01L 21/67011; H01L 21/67063; H01L 21/67098; H01L 21/67103; H01L 21/67109; H01L 21/67115
See application file for complete search history.

- (56) **References Cited**
U.S. PATENT DOCUMENTS
3,796,182 A * 3/1974 Roster C23C 16/481
118/725
4,099,041 A * 7/1978 Berkman H05B 6/105
118/728
4,496,828 A * 1/1985 Kusmierz C30B 25/12
118/50.1

- 4,499,354 A * 2/1985 Hill C23C 16/4581
118/50.1
- 4,986,215 A * 1/1991 Yamada C23C 16/4583
118/725
- 5,074,017 A * 12/1991 Toya C23C 16/4584
29/25.01
- 5,242,501 A * 9/1993 McDiarmid C30B 25/12
118/728
- 5,844,205 A * 12/1998 White C23C 16/4586
219/390
- 6,217,662 B1 * 4/2001 Kong C23C 16/4582
118/723 I
- 7,122,844 B2 * 10/2006 Nakamura H01L 21/67103
257/89
- D600,223 S * 9/2009 Aggarwal D13/182
- D675,172 S * 1/2013 Tiner D13/199
- 8,366,830 B2 * 2/2013 Nakamura C23C 16/4581
118/724
- D701,329 S * 3/2014 Tiner D13/199
- D713,200 S * 9/2014 Furuta D7/409

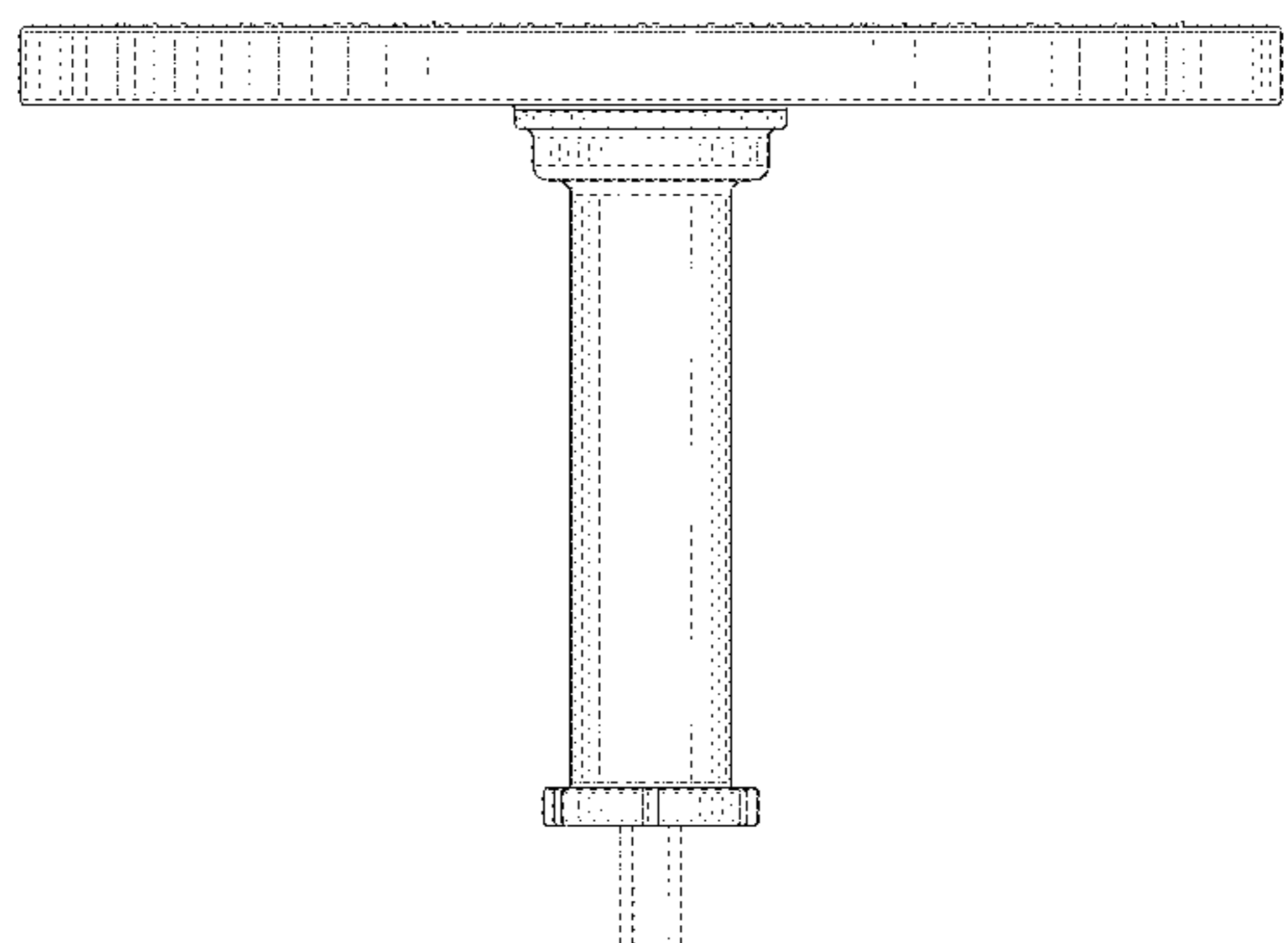
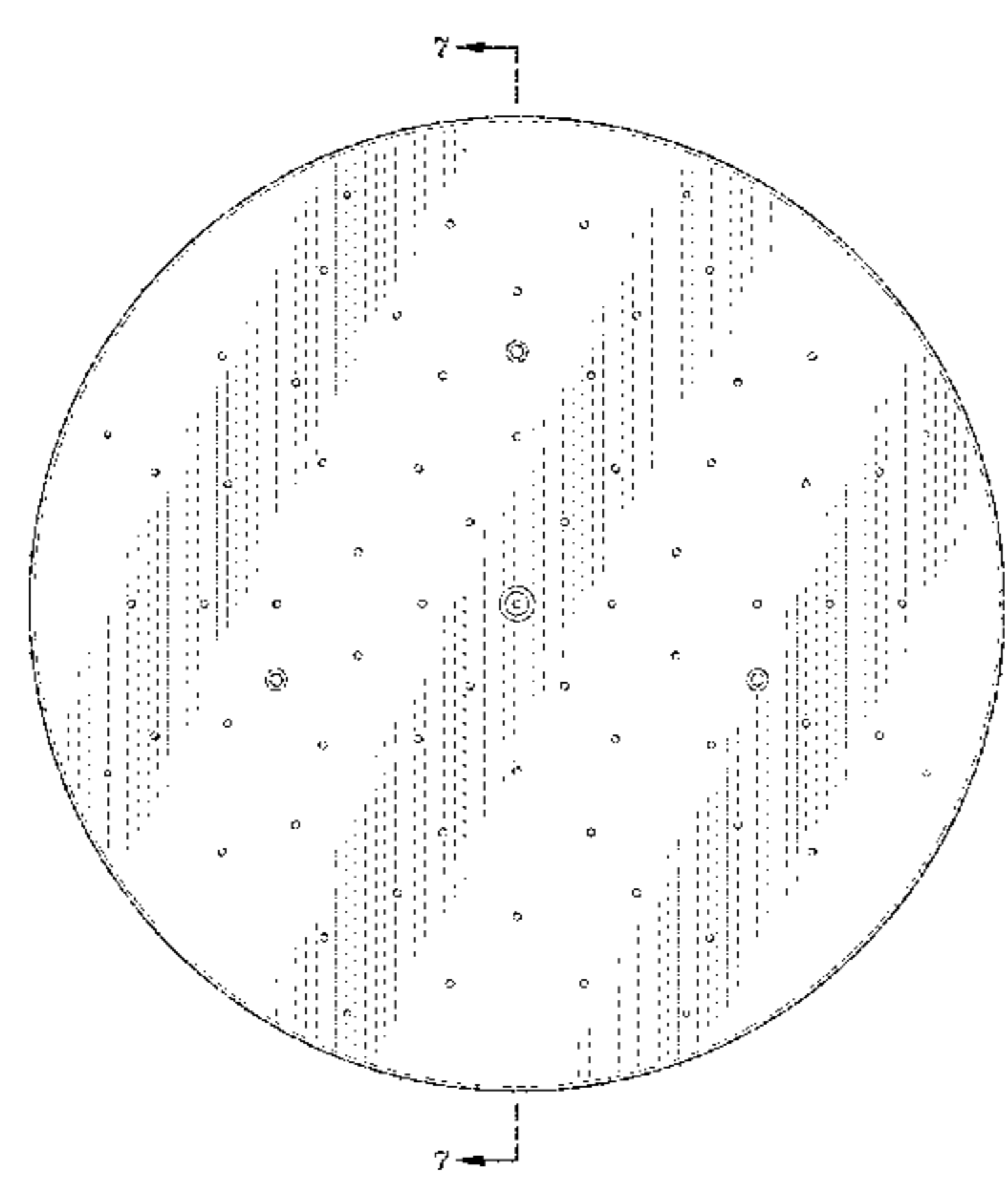
(Continued)

Primary Examiner — Elizabeth J Oswecki
(74) *Attorney, Agent, or Firm* — Sand, Sebolt & Wernow Co., LPA

(57) **CLAIM**
The ornamental design for a susceptor, as shown and described.

DESCRIPTION
FIG. 1 is a top plan view of a susceptor showing our new design;
FIG. 2 is a front elevation view thereof;
FIG. 3 is a rear elevation view thereof;
FIG. 4 is a right side elevation view thereof;
FIG. 5 is a left side elevation view thereof;
FIG. 6 is a bottom plan view thereof; and,
FIG. 7 is a cross-section of the susceptor taken along line 7-7 of FIG. 1.
The broken lines illustrate portions of the susceptor which form no part of the claimed design.

1 Claim, 7 Drawing Sheets



(56)

References Cited

U.S. PATENT DOCUMENTS

D716,098 S	*	10/2014	Furuta	D7/409
D717,113 S	*	11/2014	Furuta	D7/409
D743,357 S	*	11/2015	Vyne	D13/182
D784,276 S	*	4/2017	Tiner	D13/182
D830,981 S	*	10/2018	Jeong	D13/182

* cited by examiner

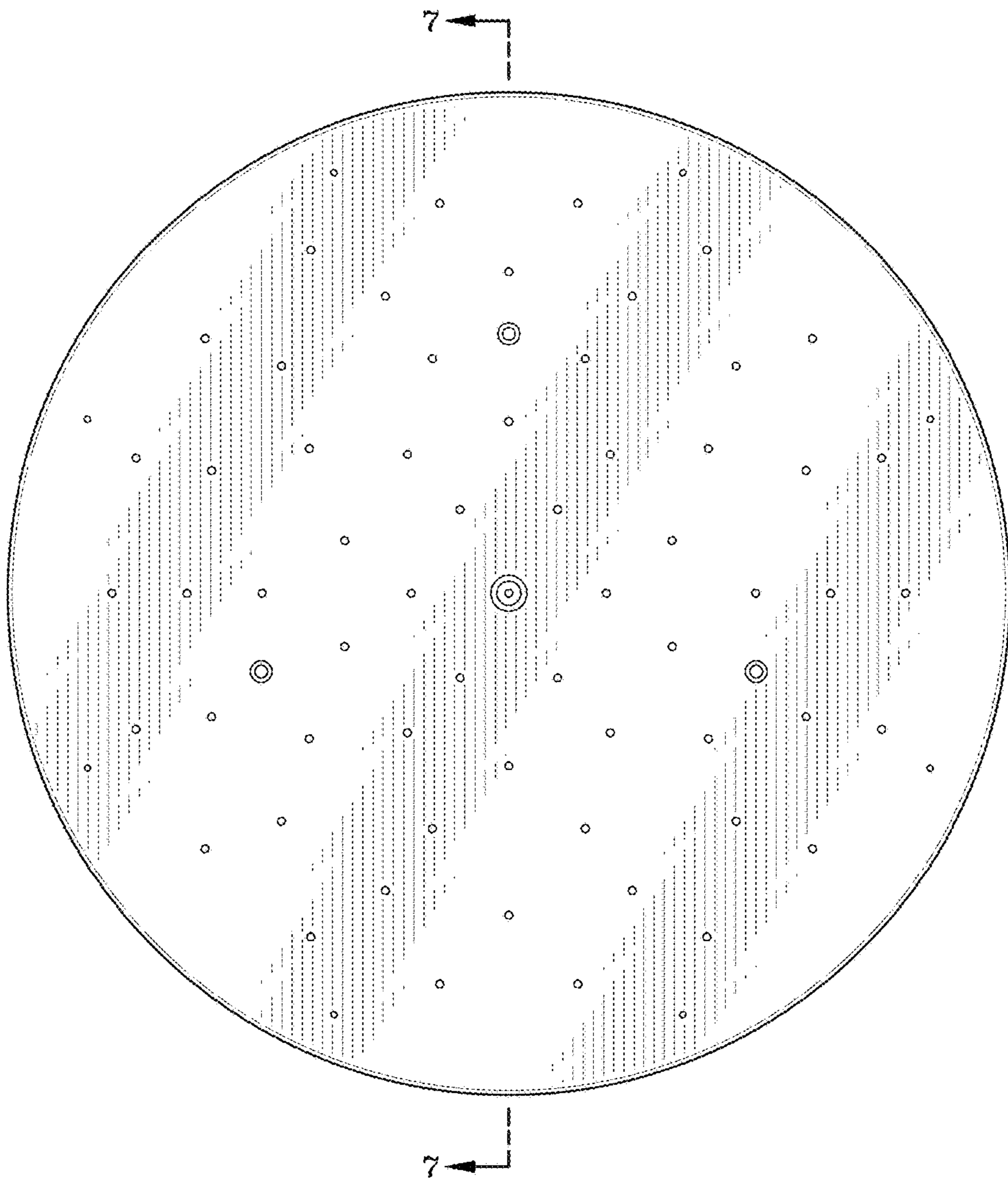


FIG. 1

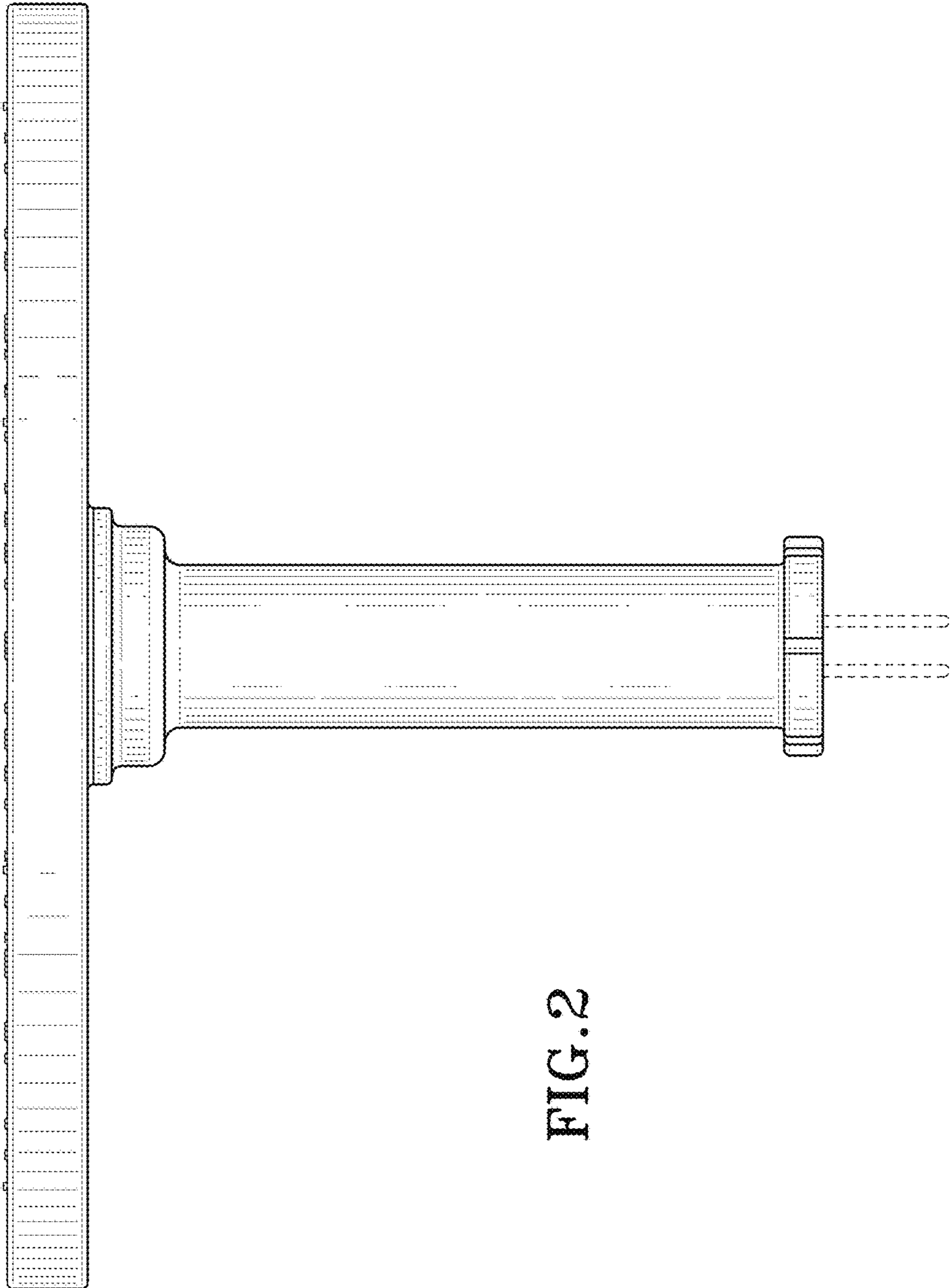


FIG. 2

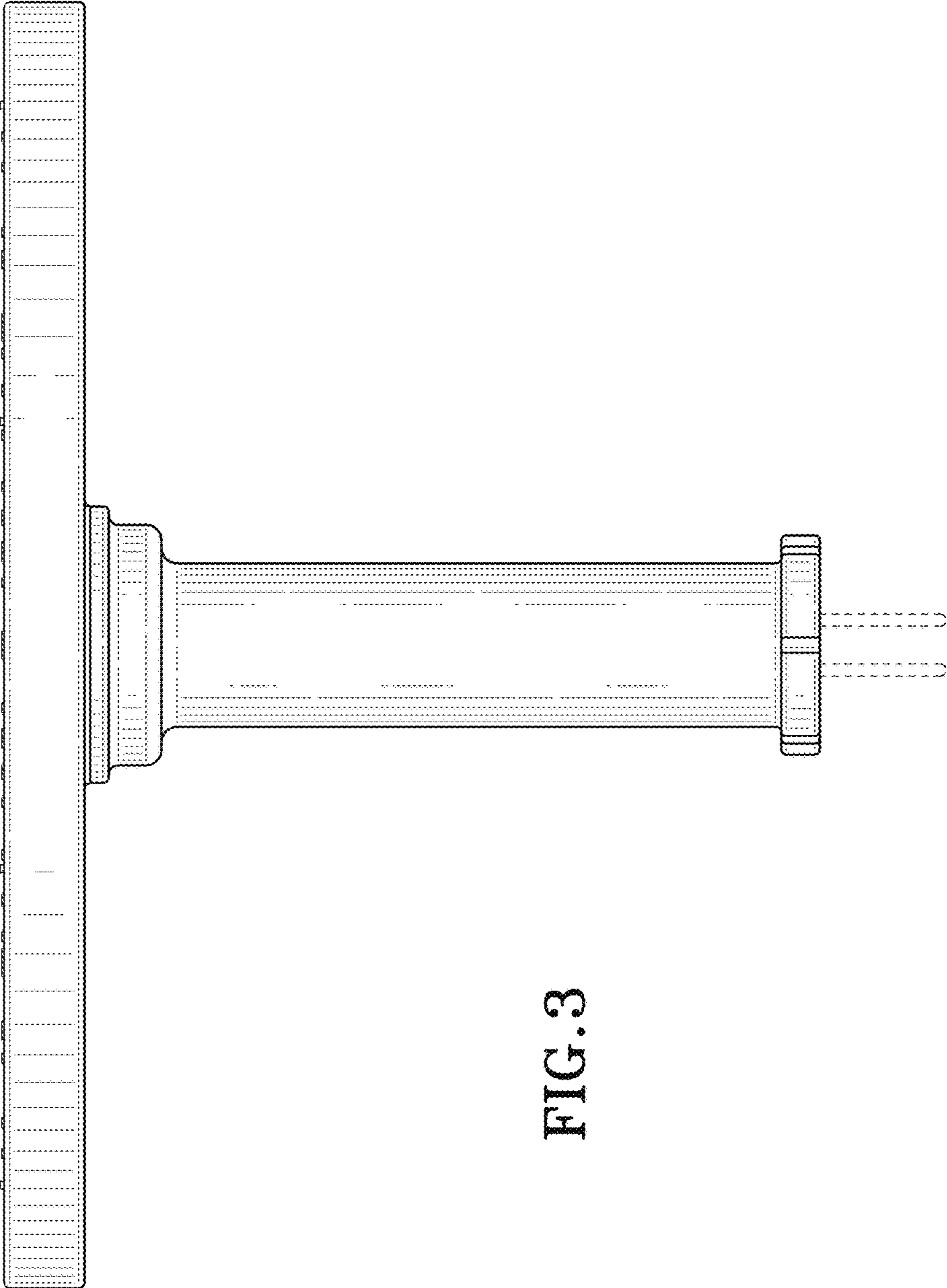


FIG. 3

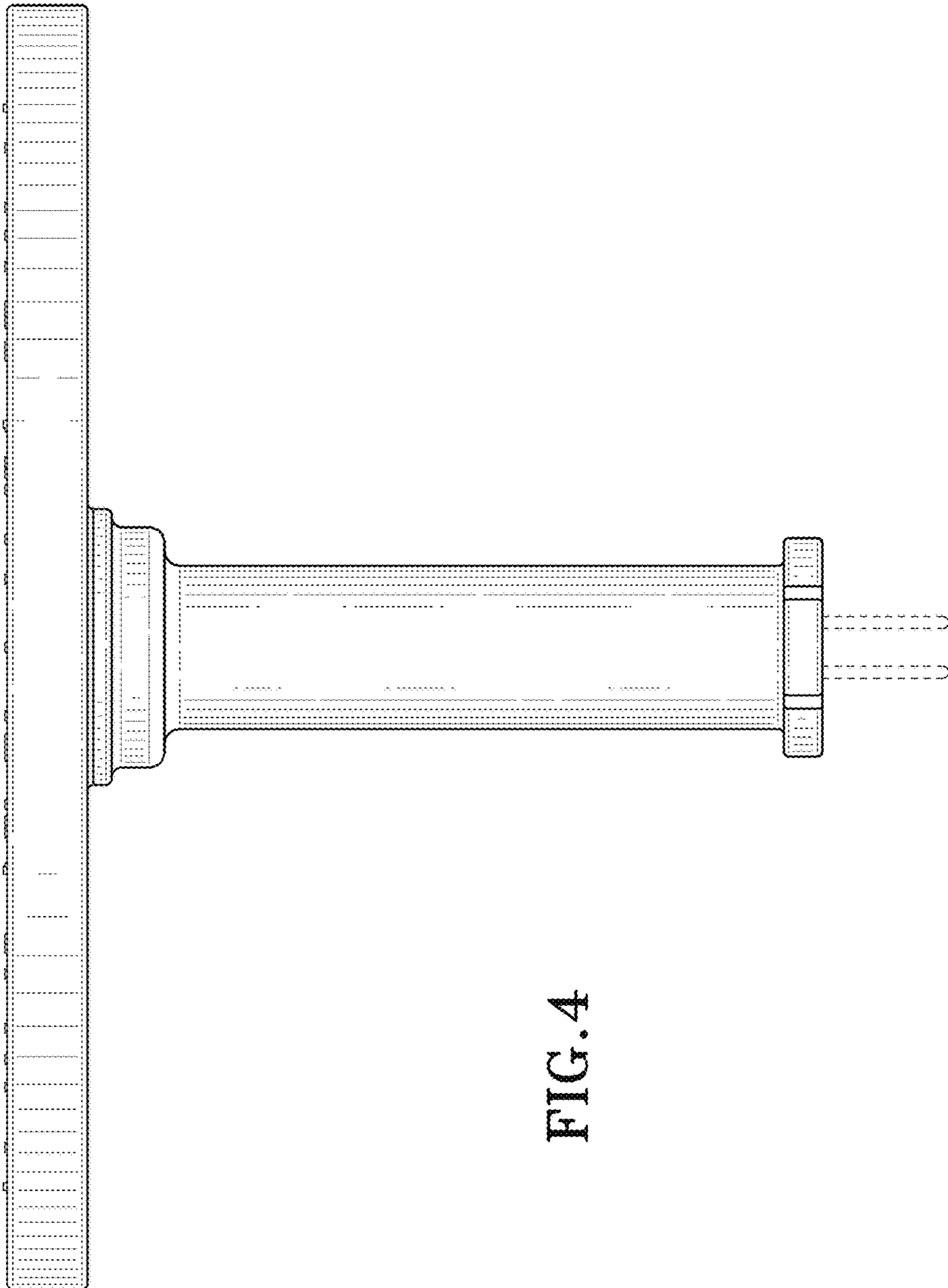


FIG. 4

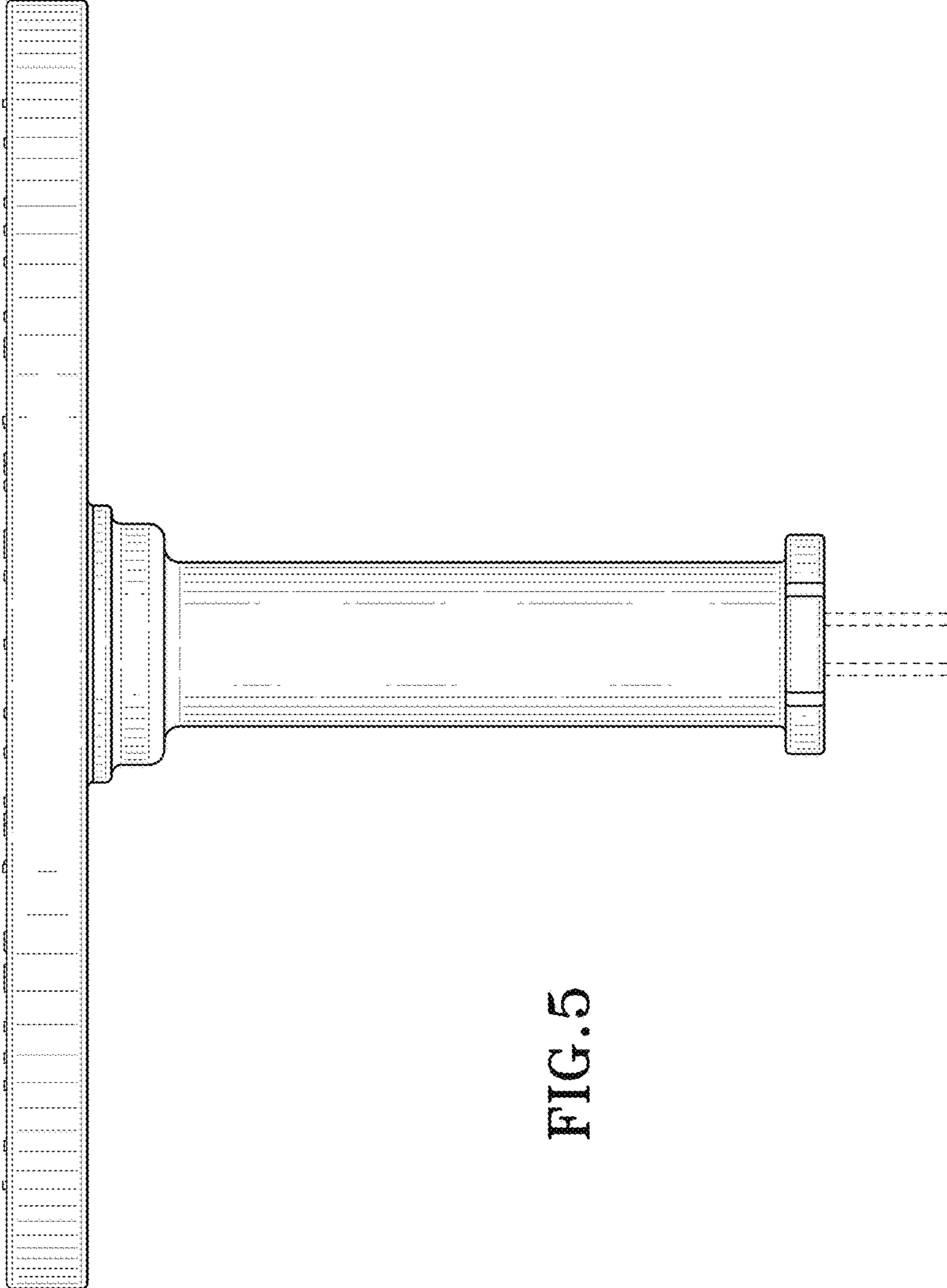


FIG. 5

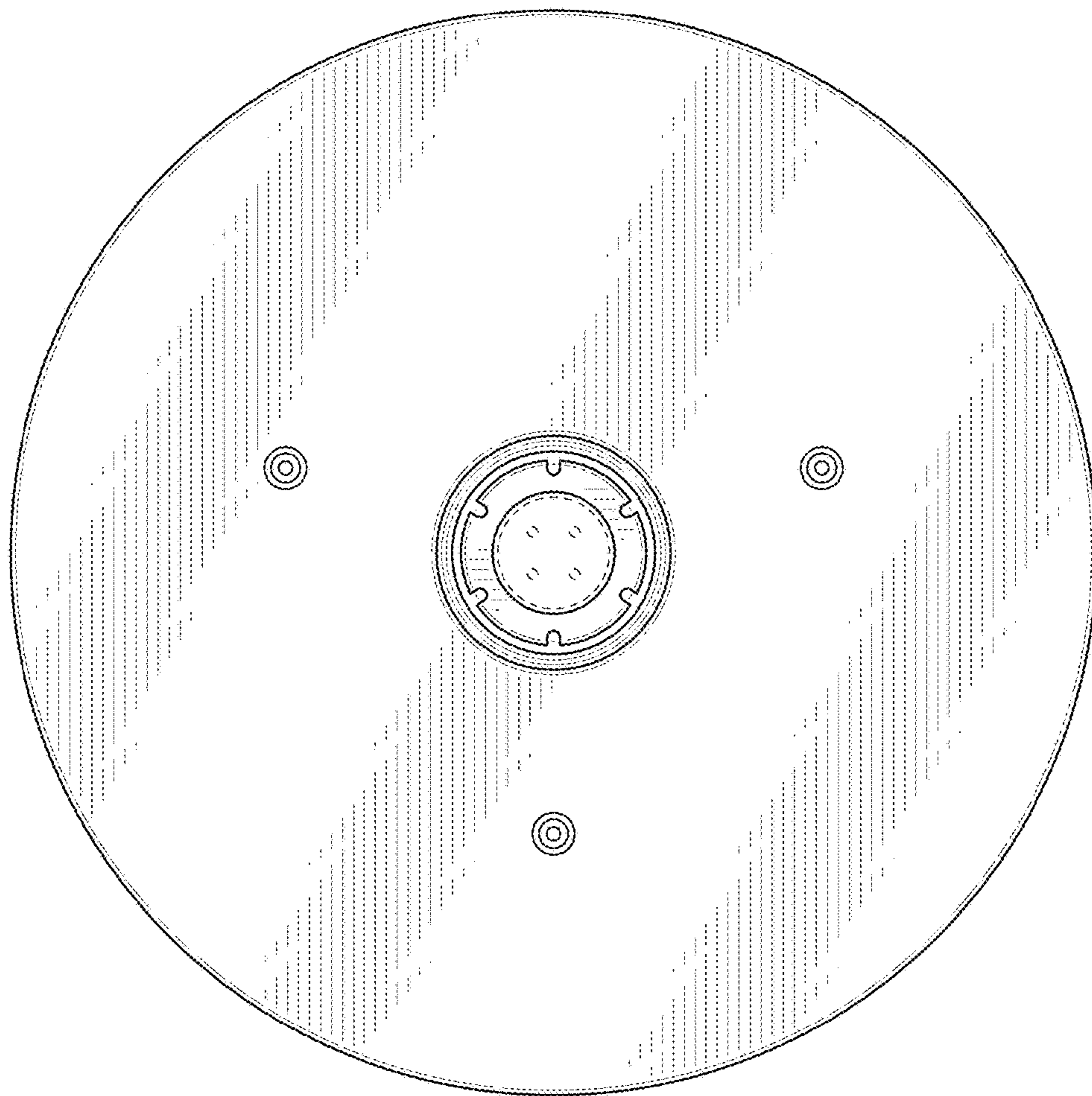


FIG. 6

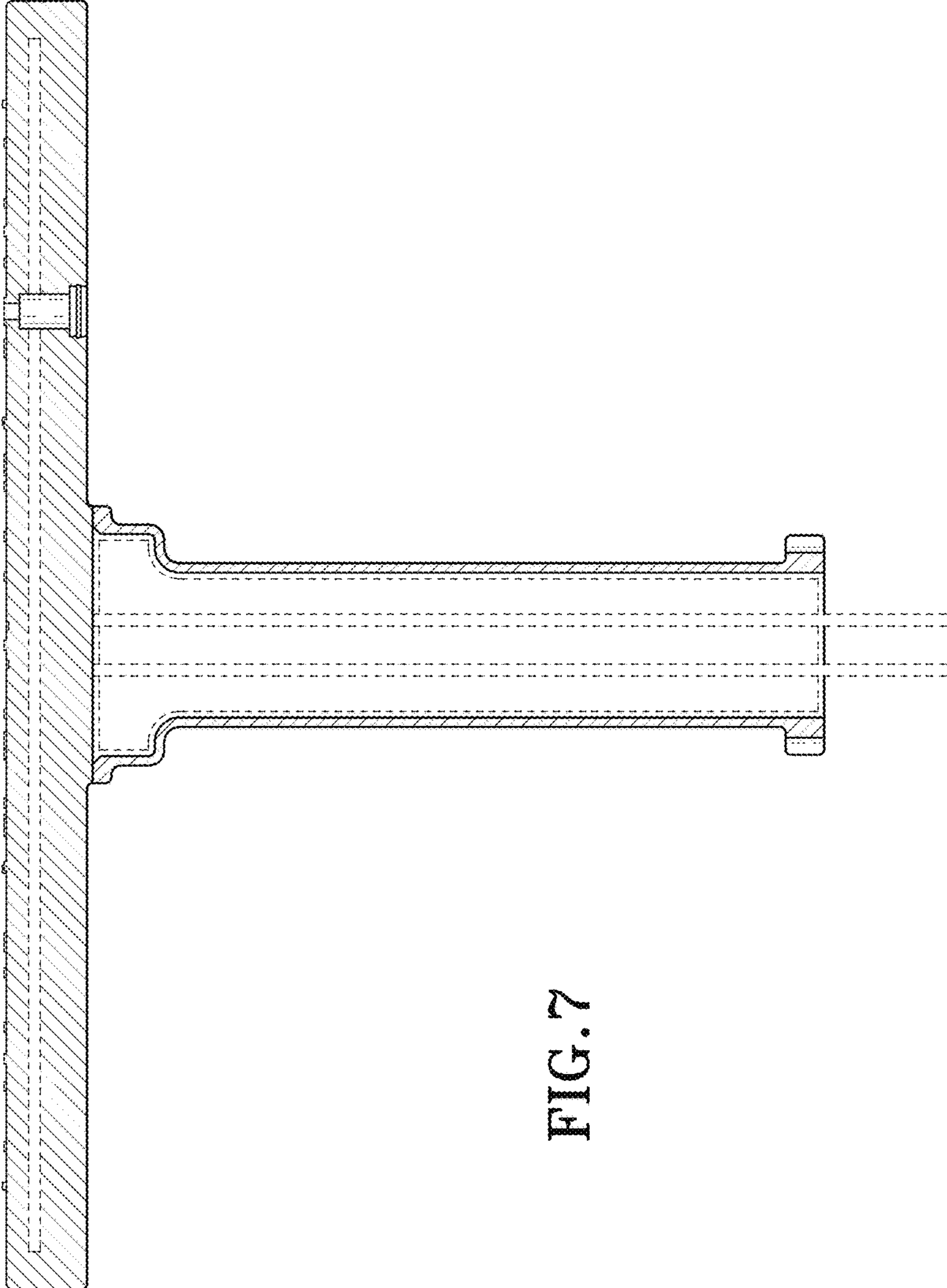


FIG. 7