



US00D864131S

(12) **United States Design Patent**  
**MacDonald et al.**

(10) **Patent No.:** **US D864,131 S**  
(45) **Date of Patent:** **\*\* Oct. 22, 2019**

- (54) **CIRCUIT CUBE**
- (71) Applicant: **Tenka Inc.**, Willits, CA (US)
- (72) Inventors: **Nathaniel W. MacDonald**, Mill Valley, CA (US); **John F. Schuster**, San Francisco, CA (US)
- (73) Assignee: **Tenka Inc.**, Willits, CA (US)
- (\*\*) Term: **15 Years**
- (21) Appl. No.: **29/609,479**
- (22) Filed: **Jun. 30, 2017**
- (51) **LOC (12) Cl.** ..... **13-03**
- (52) **U.S. Cl.**  
USPC ..... **D13/182**
- (58) **Field of Classification Search**  
USPC ..... D13/182; 174/68.1, 250, 253, 255, 256;  
318/567, 568.1; 361/600, 601, 718, 719,  
361/720, 728, 736, 748, 751, 760, 761,  
361/807; 439/55, 65, 68, 76.1, 93, 95  
CPC ..... H05K 3/00; H05K 3/30; H05K 3/301;  
H05K 3/303; H05K 3/34; H05K 3/3405;  
H05K 3/341; H05K 3/36; H05K 3/361;  
H05K 3/363; H05K 3/40; H05K 7/14;  
H05K 7/1422; H05K 7/00; H05K 1/18;  
H05K 1/02; H05K 1/181; H05K 1/182;  
H05K 1/183; H05K 1/184; H05K 1/189;  
H05K 1/00  
See application file for complete search history.

- (56) **References Cited**  
U.S. PATENT DOCUMENTS  
2,896,033 A \* 7/1959 Hartz ..... H01H 19/585  
200/11 D  
3,072,734 A \* 1/1963 Fox ..... H02B 1/043  
174/254

- 3,696,548 A \* 10/1972 Teller ..... A63H 33/042  
446/91
- D292,698 S \* 11/1987 DeVita ..... D13/182
- D359,476 S \* 6/1995 Sakashita ..... D13/182
- D396,449 S \* 7/1998 Taylor ..... D13/182
- D397,093 S \* 8/1998 Kim ..... D13/182
- 5,908,328 A \* 6/1999 Chen ..... A63H 33/042  
439/500
- D428,860 S \* 8/2000 Siperek ..... D13/182
- D429,704 S \* 8/2000 Kang ..... D13/182
- D430,856 S \* 9/2000 Wilkerson ..... D13/182
- D442,567 S \* 5/2001 Kang ..... D13/182
- D465,772 S \* 11/2002 Poulter ..... D13/182
- D466,093 S \* 11/2002 Ebihara ..... D13/182
- D471,167 S \* 3/2003 Ebihara ..... D13/182
- D552,048 S \* 10/2007 He ..... D13/182
- D556,158 S \* 11/2007 Kong ..... D13/182
- 7,611,357 B2 \* 11/2009 Han ..... H01R 11/30  
434/224
- D605,613 S \* 12/2009 Carter ..... D13/182
- D639,756 S \* 6/2011 Greene, Jr. .... D13/182

(Continued)

*Primary Examiner* — Elizabeth J Oswecki  
(74) *Attorney, Agent, or Firm* — TraskBritt

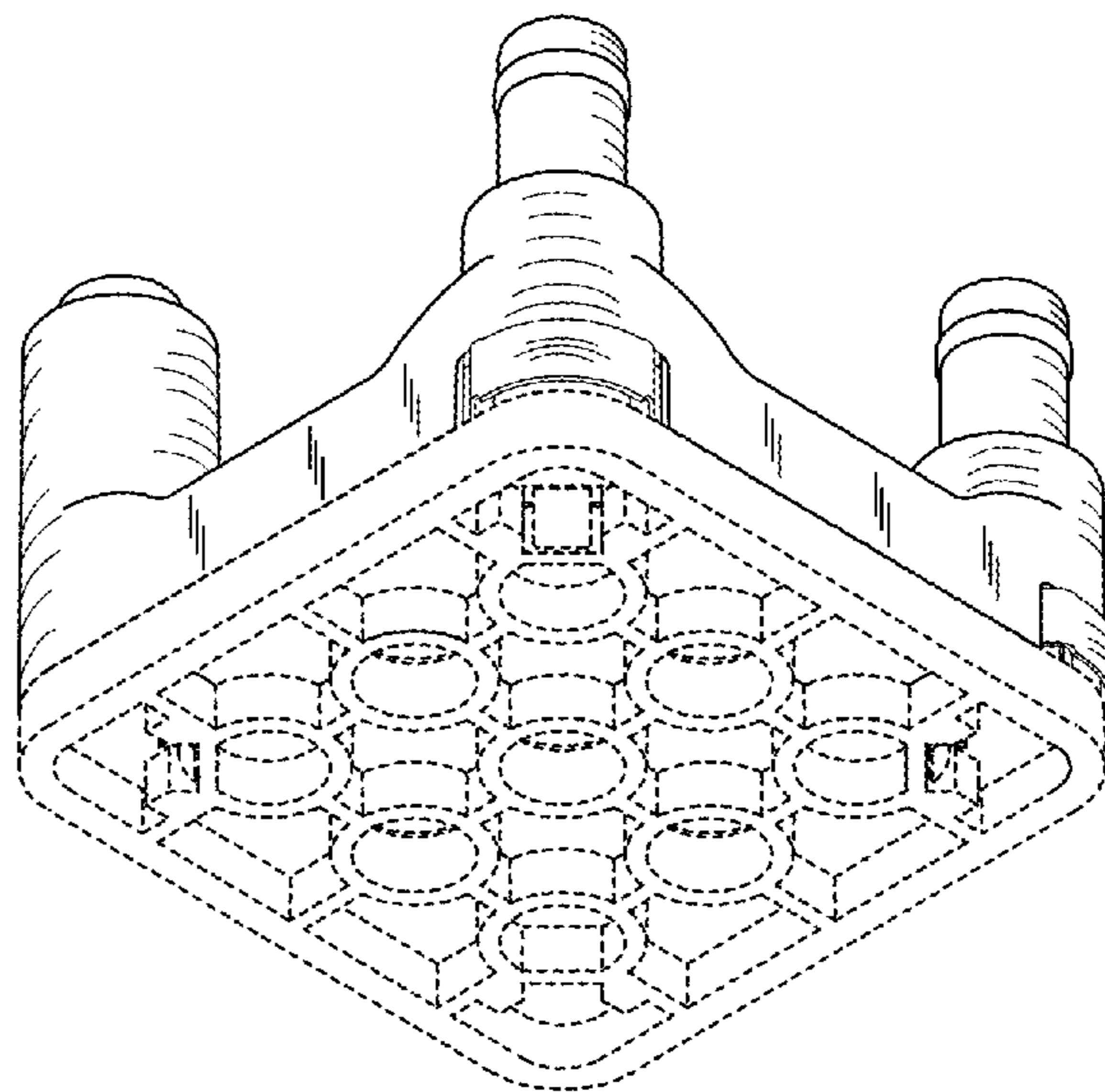
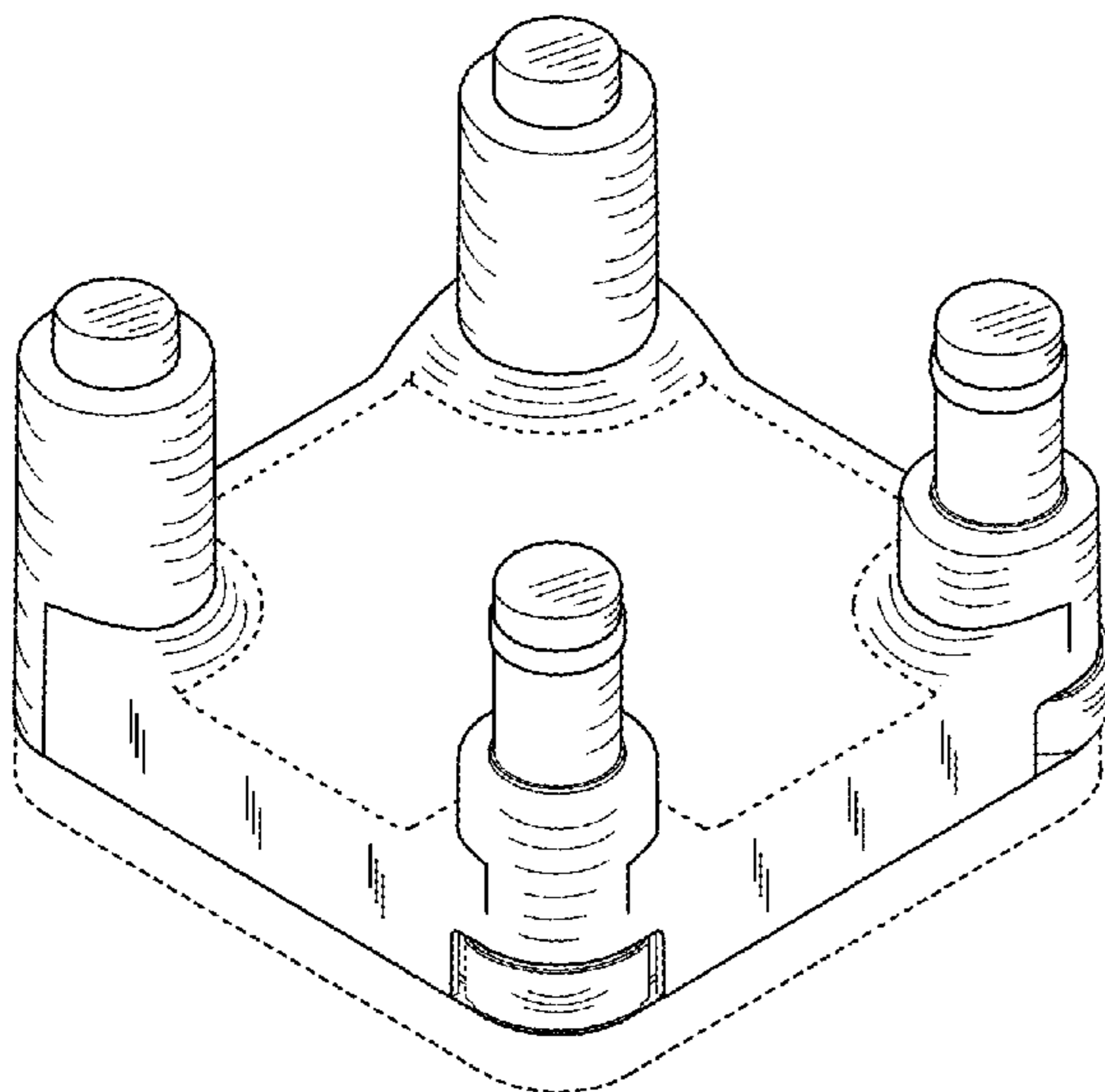
(57) **CLAIM**

The ornamental design for a circuit cube, as shown and described.

**DESCRIPTION**

FIG. 1 is a top perspective view of a circuit cube, showing our new design;  
 FIG. 2 is a bottom perspective view thereof;  
 FIG. 3 is a top view thereof;  
 FIG. 4 is a bottom view thereof;  
 FIG. 5 is a front view thereof;  
 FIG. 6 is a rear view thereof;  
 FIG. 7 is a left side view thereof; and,  
 FIG. 8 is a right side view thereof.  
 The broken lines shown in the drawings represent portions of the circuit cube that form no part of the claimed design.

**1 Claim, 4 Drawing Sheets**



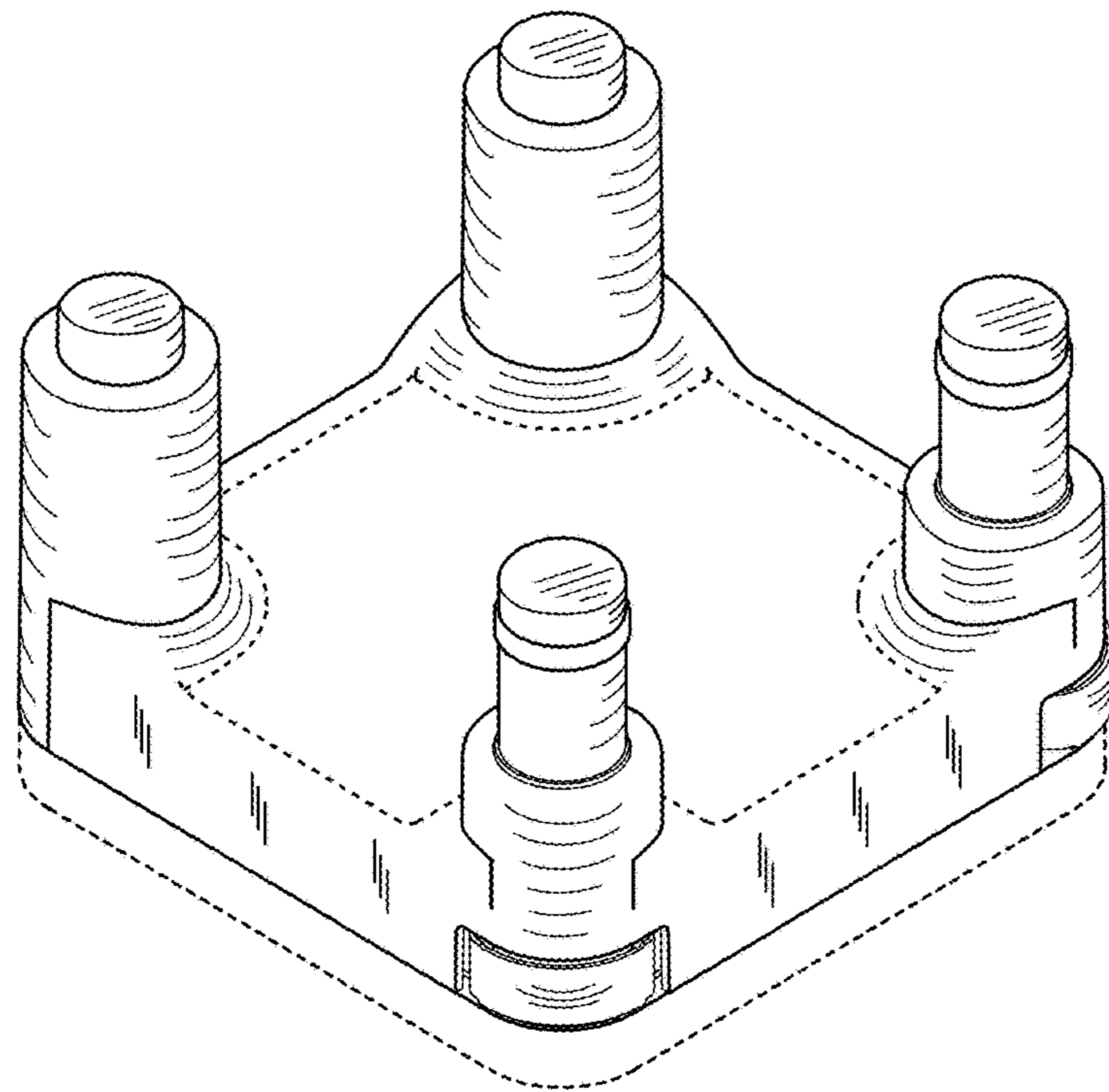
(56)

## References Cited

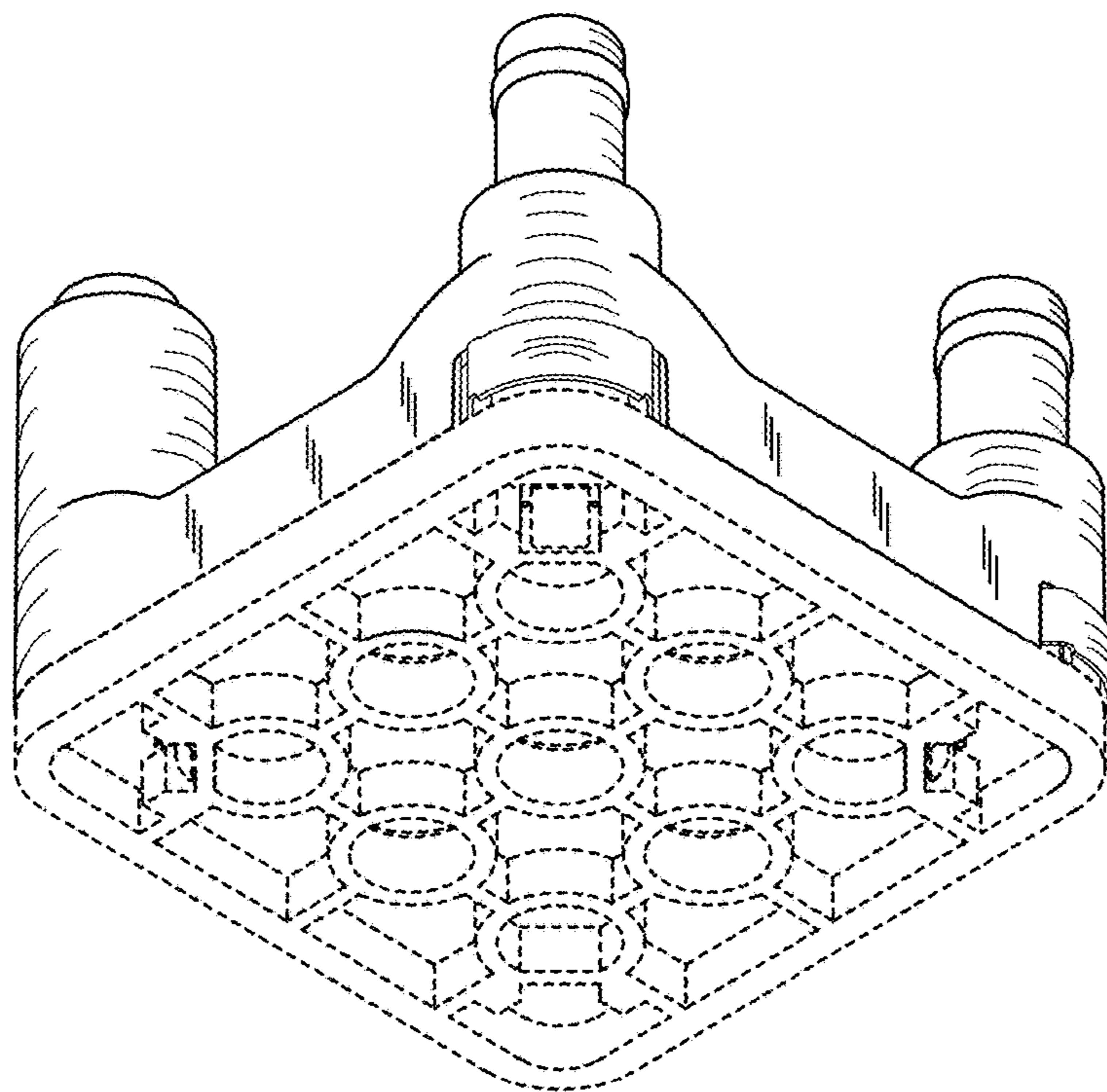
## U.S. PATENT DOCUMENTS

D642,546 S \* 8/2011 Greene, Jr. .... D13/182  
D647,072 S \* 10/2011 Bentley ..... D13/182  
D676,004 S \* 2/2013 Lyubachev ..... D13/182  
D691,101 S \* 10/2013 Ishizawa ..... D13/182  
8,651,913 B1 \* 2/2014 Lin ..... A63H 33/042  
446/91  
8,690,631 B2 \* 4/2014 Nag ..... A63H 33/042  
446/125  
9,017,132 B2 \* 4/2015 Lin ..... A63H 33/086  
446/91  
9,209,560 B2 \* 12/2015 Wei ..... H01F 7/0263  
D753,073 S \* 4/2016 Sponring ..... D13/182  
9,457,287 B1 \* 10/2016 Lin ..... A63H 33/042  
D794,586 S \* 8/2017 Takahashi ..... D13/182  
9,755,356 B1 \* 9/2017 Kim ..... H01R 13/6205  
D799,438 S \* 10/2017 Takahashi ..... D13/182  
D804,437 S \* 12/2017 Kantor ..... D13/182  
9,914,065 B2 \* 3/2018 Almog ..... A63H 33/086  
D824,344 S \* 7/2018 Podubni ..... D13/182  
D824,345 S \* 7/2018 Podubni ..... D13/182  
D826,186 S \* 8/2018 Podubni ..... D13/182  
D826,187 S \* 8/2018 Podubni ..... D13/182  
D826,188 S \* 8/2018 Podubni ..... D13/182  
D826,189 S \* 8/2018 Podubni ..... D13/182  
D826,190 S \* 8/2018 Podubni ..... D13/182  
D826,191 S \* 8/2018 Podubni ..... D13/182  
D826,192 S \* 8/2018 Podubni ..... D13/182  
D826,193 S \* 8/2018 Podubni ..... D13/182  
D826,194 S \* 8/2018 Podubni ..... D13/182  
D826,195 S \* 8/2018 Podubni ..... D13/182  
D826,196 S \* 8/2018 Podubni ..... D13/182

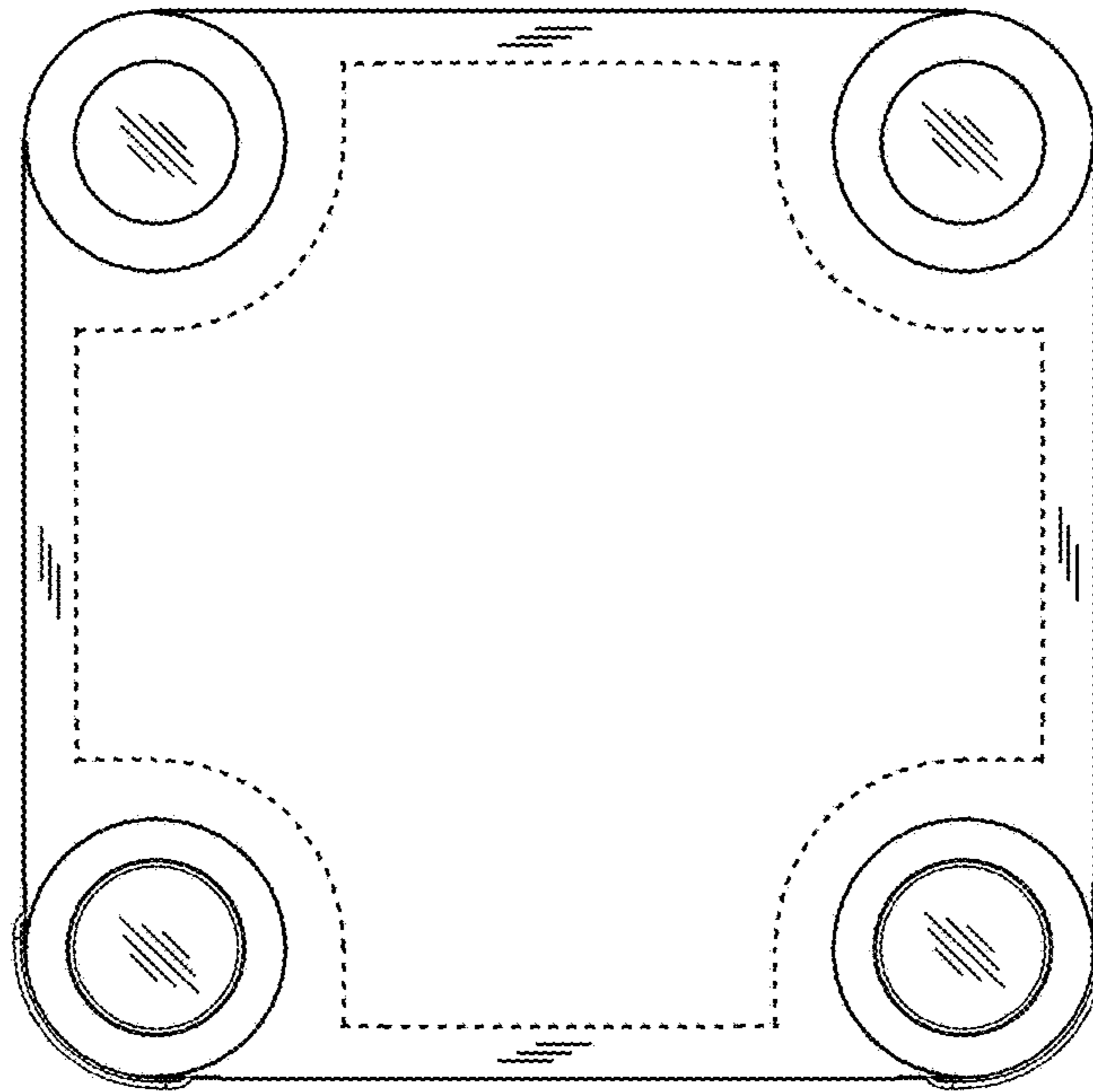
\* cited by examiner



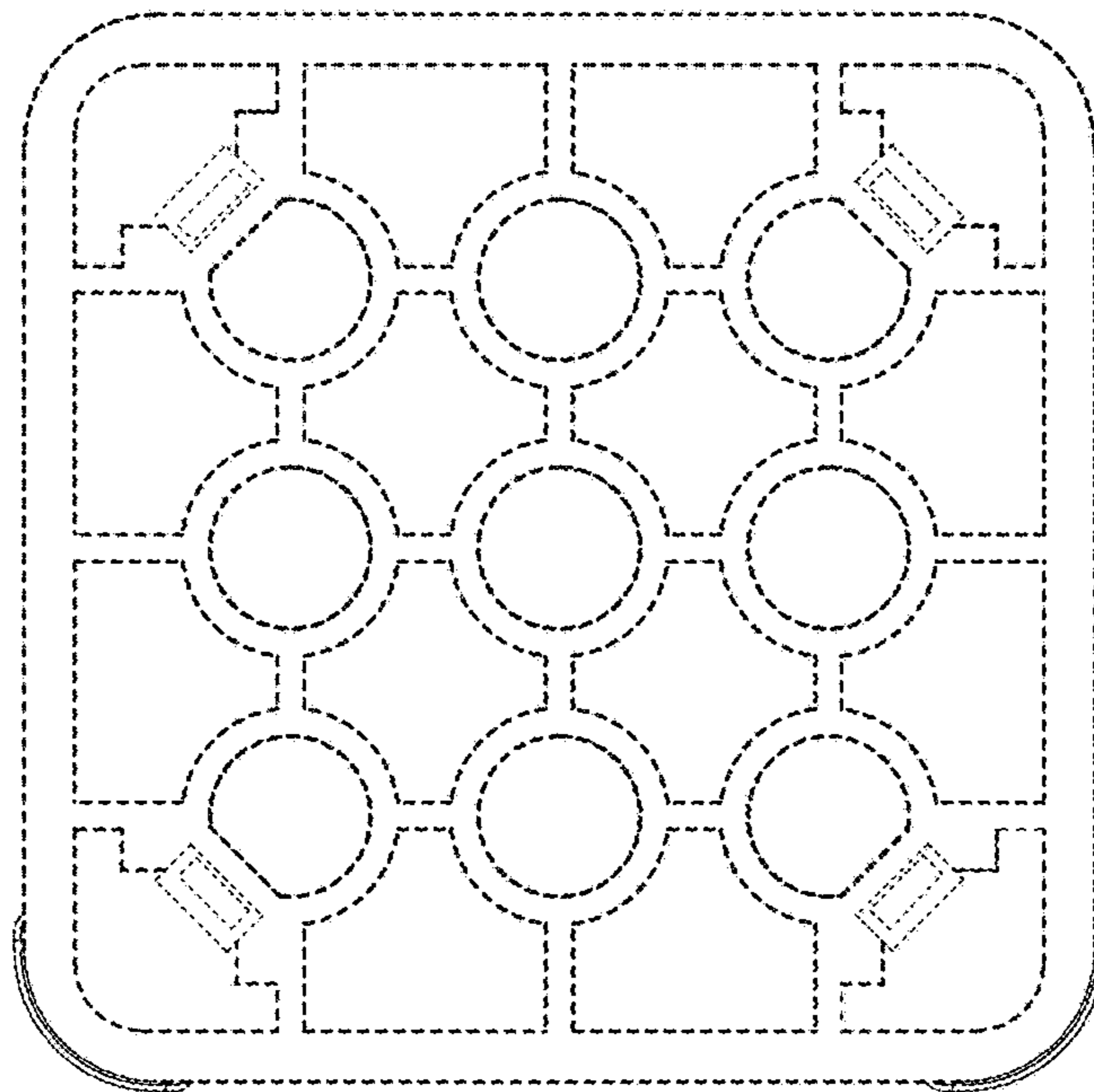
**FIG. 1**



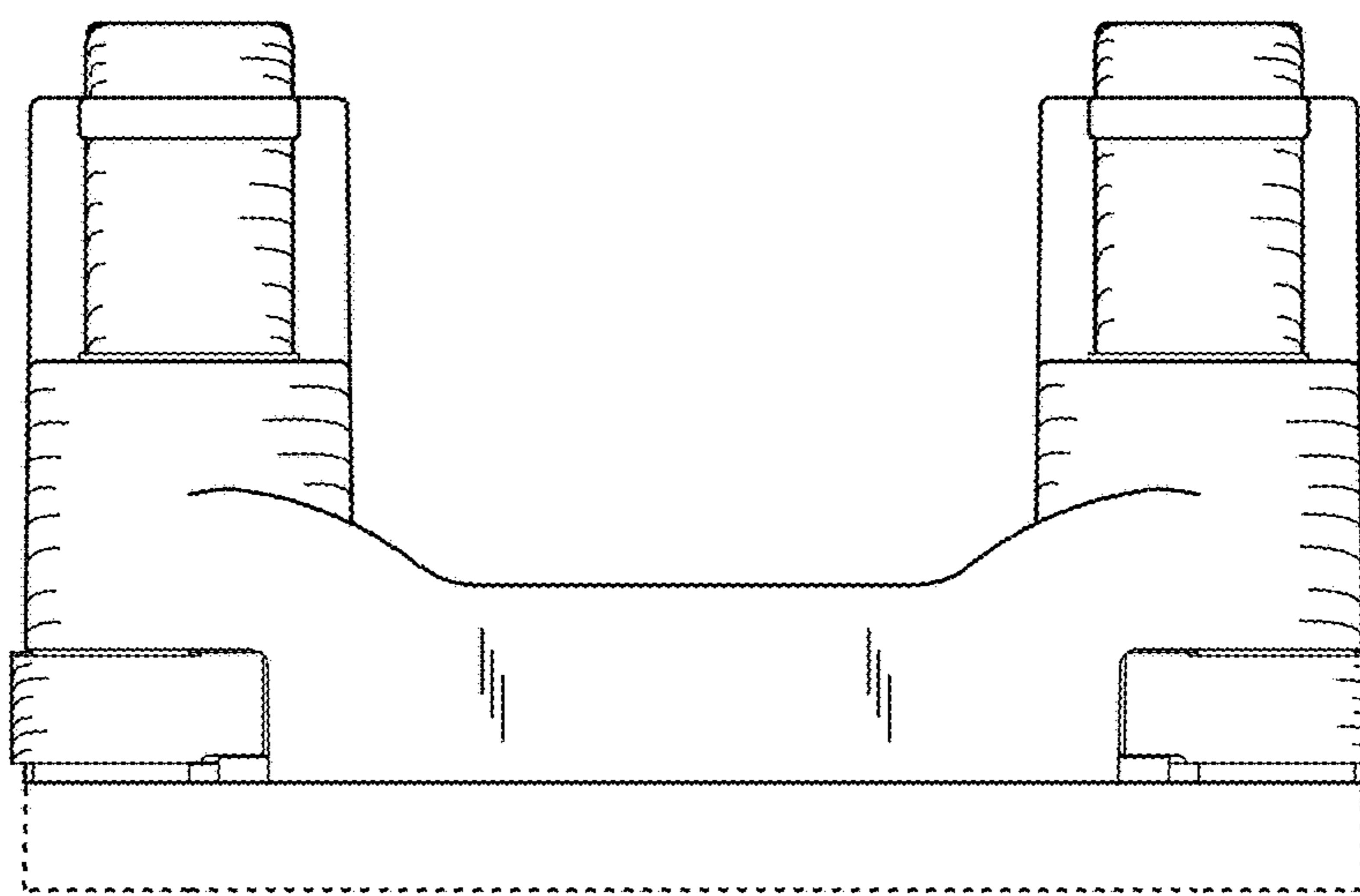
**FIG. 2**



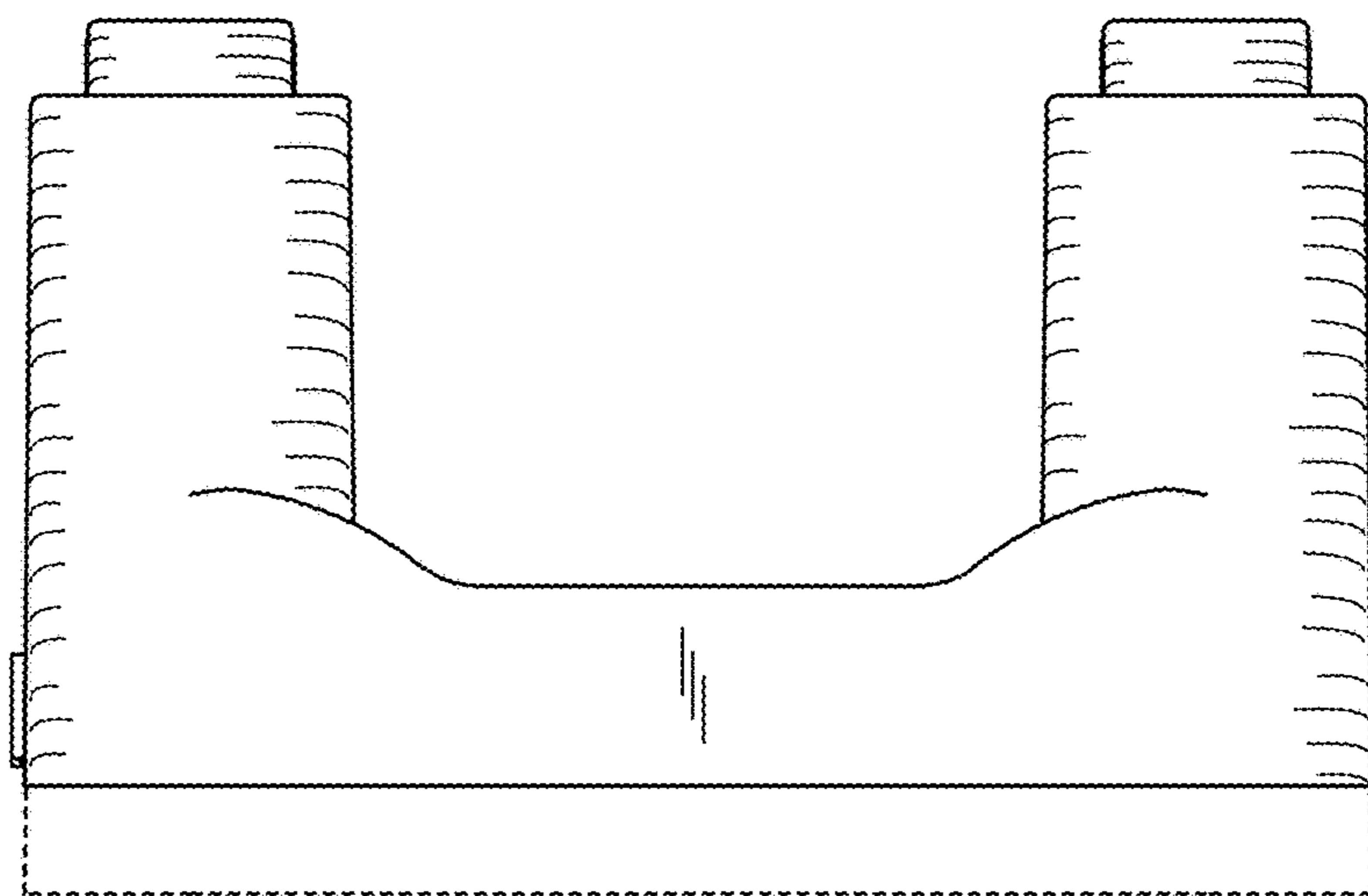
**FIG. 3**



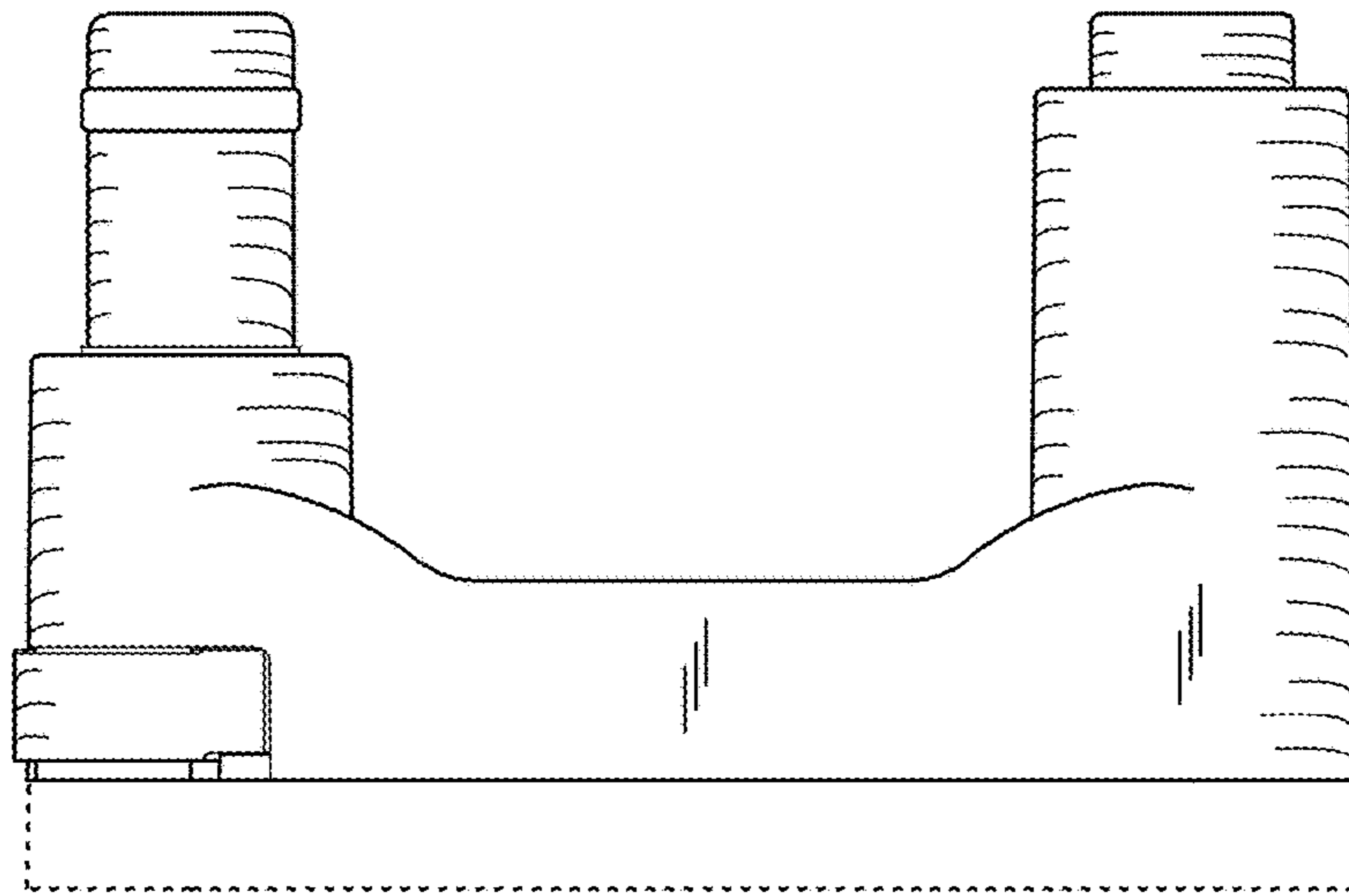
**FIG. 4**



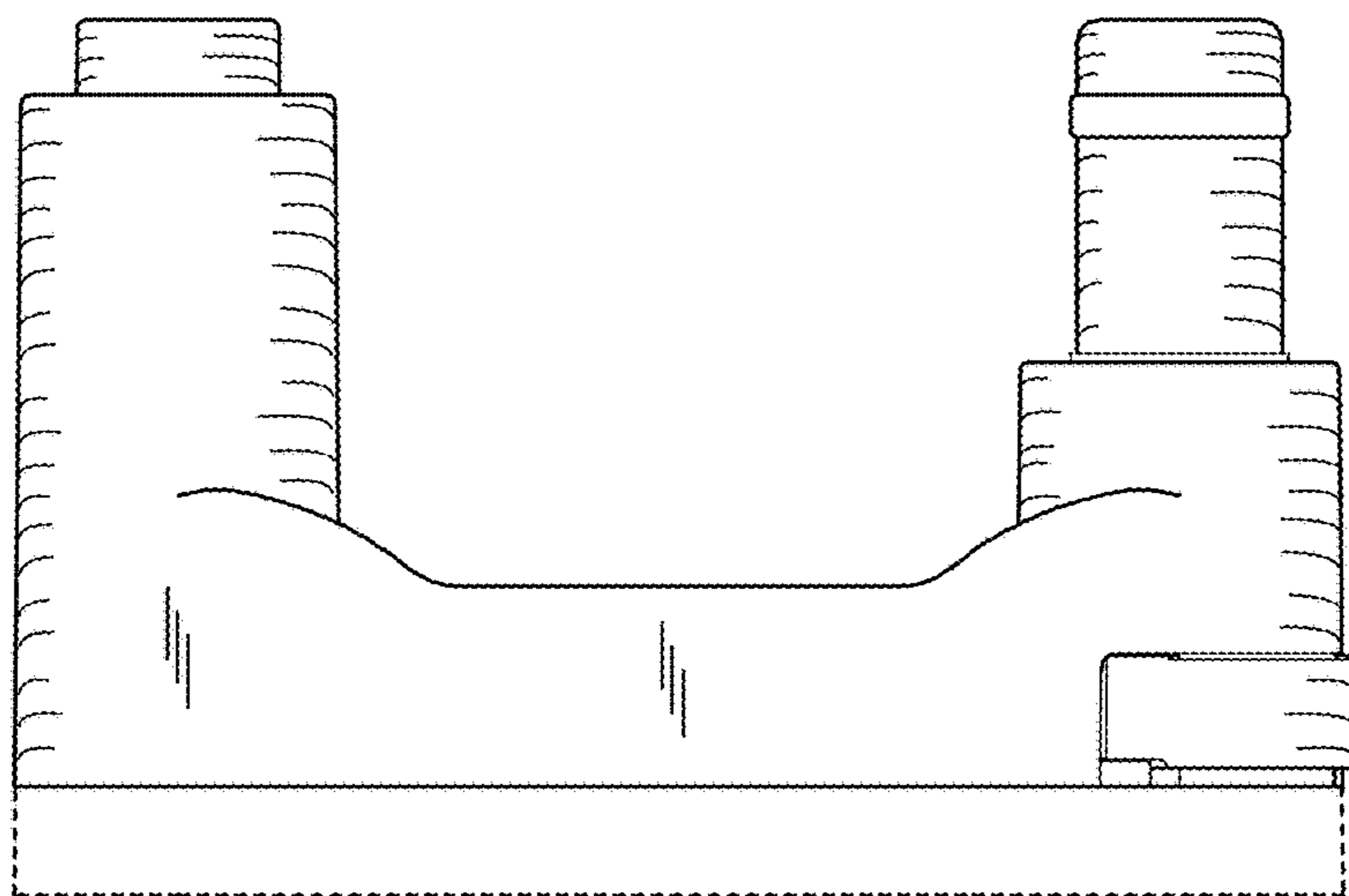
**FIG. 5**



**FIG. 6**



**FIG. 7**



**FIG. 8**