



US00D864130S

(12) **United States Design Patent**
Gu et al.

(10) **Patent No.:** **US D864,130 S**
(45) **Date of Patent:** **** Oct. 22, 2019**

(54) **LIGHT EMITTING DIODE DEVICE**

(71) Applicant: **FOSHAN NATIONSTAR OPTOELECTRONICS CO., LTD.**, Foshan (CN)

(72) Inventors: **Feng Gu**, Foshan (CN); **Chuanbiao Liu**, Foshan (CN); **Kuai Qin**, Foshan (CN); **Xi Zheng**, Foshan (CN); **Yuanbin Lin**, Foshan (CN)

(73) Assignee: **Foshan Nationstar Optoelectronics Co., Ltd.**, Foshan (CN)

(**) Term: **15 Years**

(21) Appl. No.: **29/649,732**

(22) Filed: **Jun. 1, 2018**

(30) **Foreign Application Priority Data**

May 21, 2018 (CN) 2018 3 0235453

(51) **LOC (12) Cl.** **13-03**

(52) **U.S. Cl.**
USPC **D13/180**

(58) **Field of Classification Search**
USPC D13/180; D26/1; D21/491
CPC ... H01L 25/167; H01L 25/0753; H01L 27/15;
H01L 27/156; H01L 31/02; H01L 33/00;
H01L 33/04; H01L 33/08; H01L 33/10;
H01L 33/20; H01L 33/38; H01L 33/42;
H01L 33/48; H01L 33/483; H01L 33/486
See application file for complete search history.

(56) **References Cited**

U.S. PATENT DOCUMENTS

7,586,129 B2 * 9/2009 Hsu H01L 27/15
257/88
D620,460 S * 7/2010 Liu D13/180

7,786,498 B2 * 8/2010 Choi H01L 33/382
257/734
D631,017 S * 1/2011 Arazoe D13/180
D652,952 S * 1/2012 Angel D25/113
9,181,717 B1 * 11/2015 Jamison E04F 15/02038
D770,401 S * 11/2016 Kim D13/180
D776,629 S * 1/2017 Kim D13/180
D786,460 S * 5/2017 Wu D13/180
2016/0013388 A1 * 1/2016 Lee H01L 27/156
257/13
2016/0240759 A1 * 8/2016 Chae H01L 33/36
2017/0092820 A1 * 3/2017 Kim, II H01L 25/0753
2017/0236977 A1 * 8/2017 Oh F21K 9/238
257/13

* cited by examiner

Primary Examiner — Selina Sikder

(74) *Attorney, Agent, or Firm* — Bond Schoeneck & King, PLLC; George R. McGuire

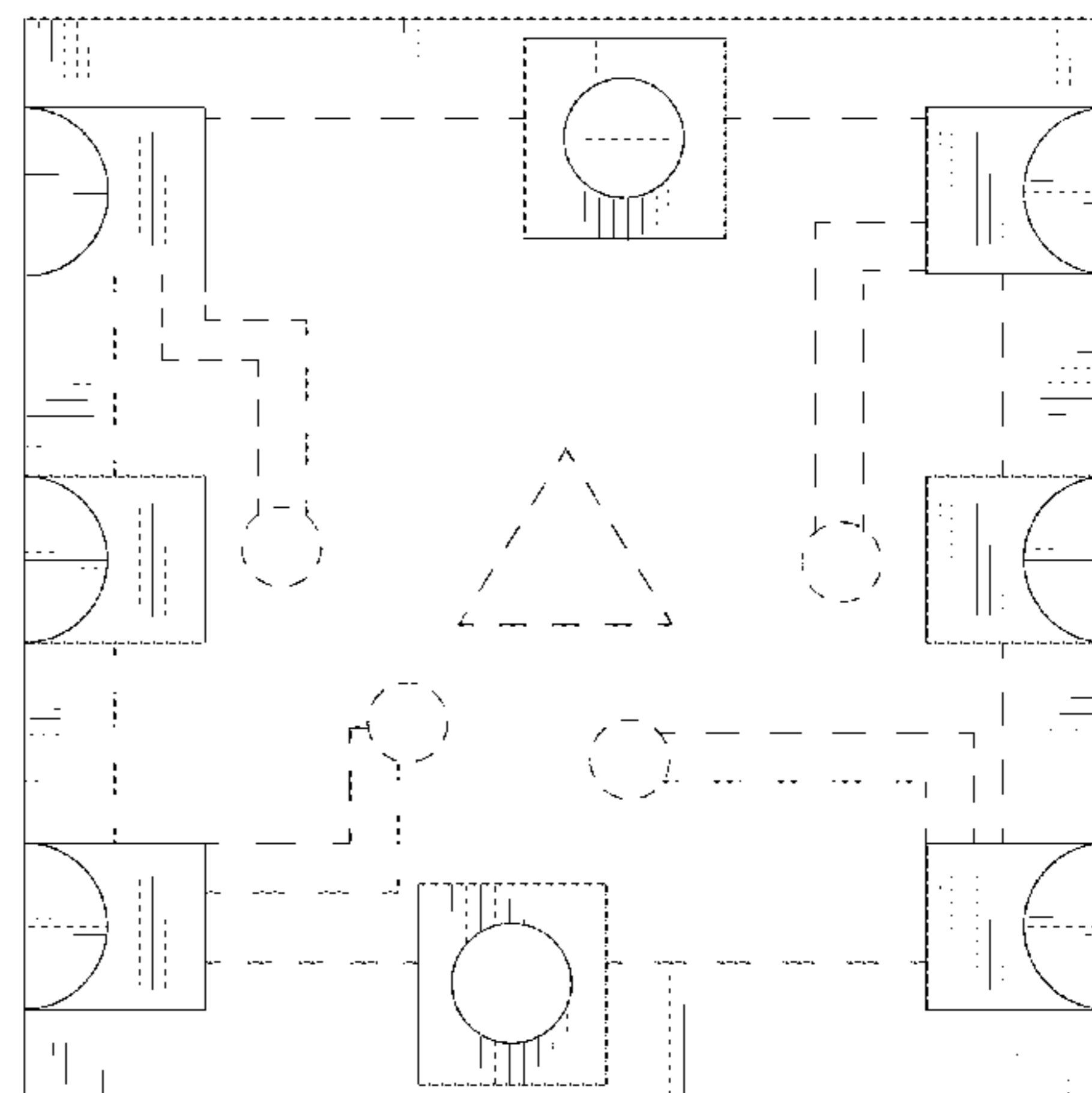
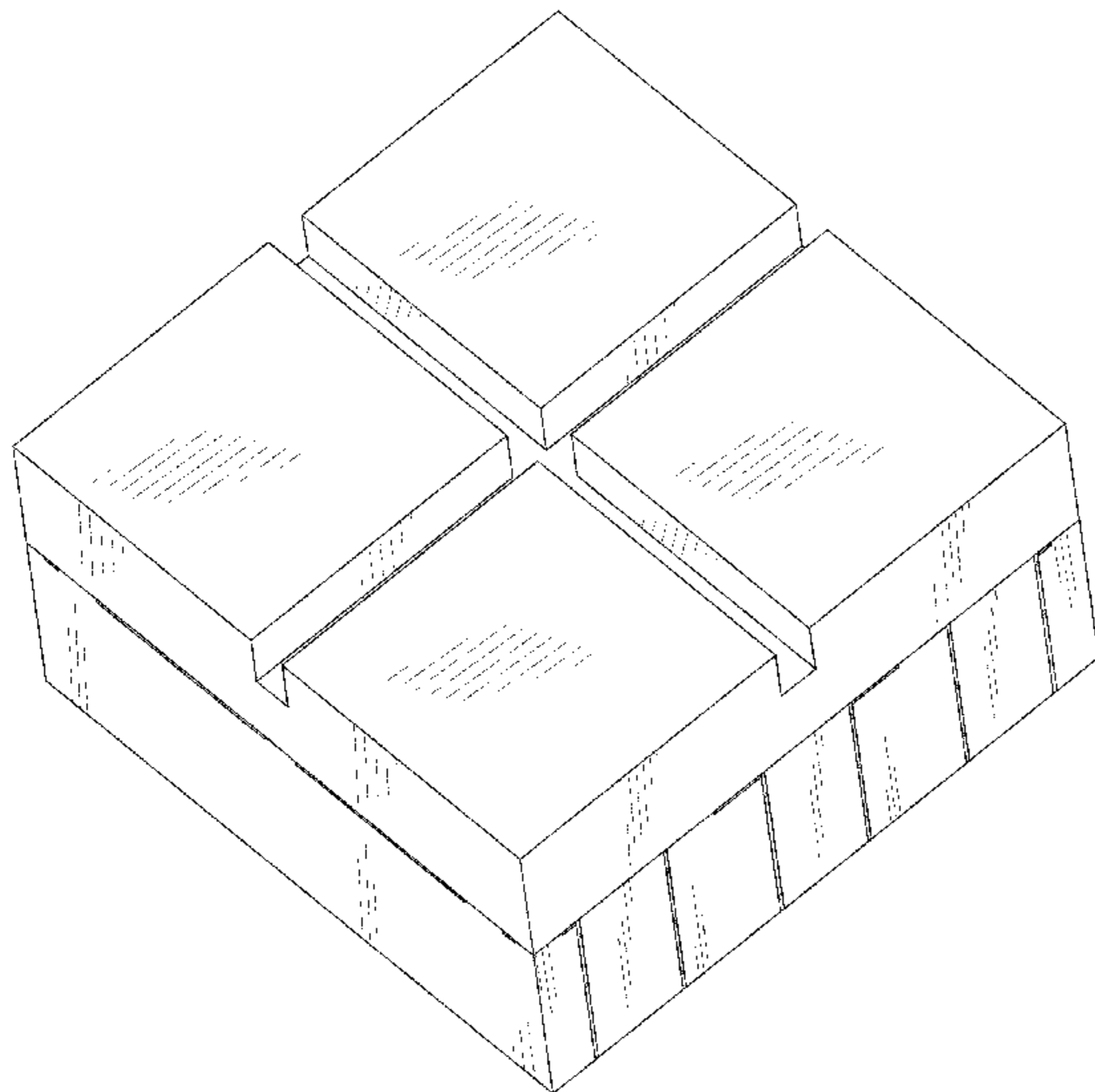
(57) **CLAIM**

The ornamental design for a light emitting diode device, as shown and described.

DESCRIPTION

FIG. 1 is a perspective view of the design for a light emitting diode device;
FIG. 2 is a front view thereof;
FIG. 3 is a rear view thereof;
FIG. 4 is a left view thereof;
FIG. 5 is a right view thereof;
FIG. 6 is a top view thereof; and,
FIG. 7 is a bottom view thereof.
Portions of the drawings are shown in broken lines for illustrative purposes only and form no part of the claimed design.

1 Claim, 5 Drawing Sheets



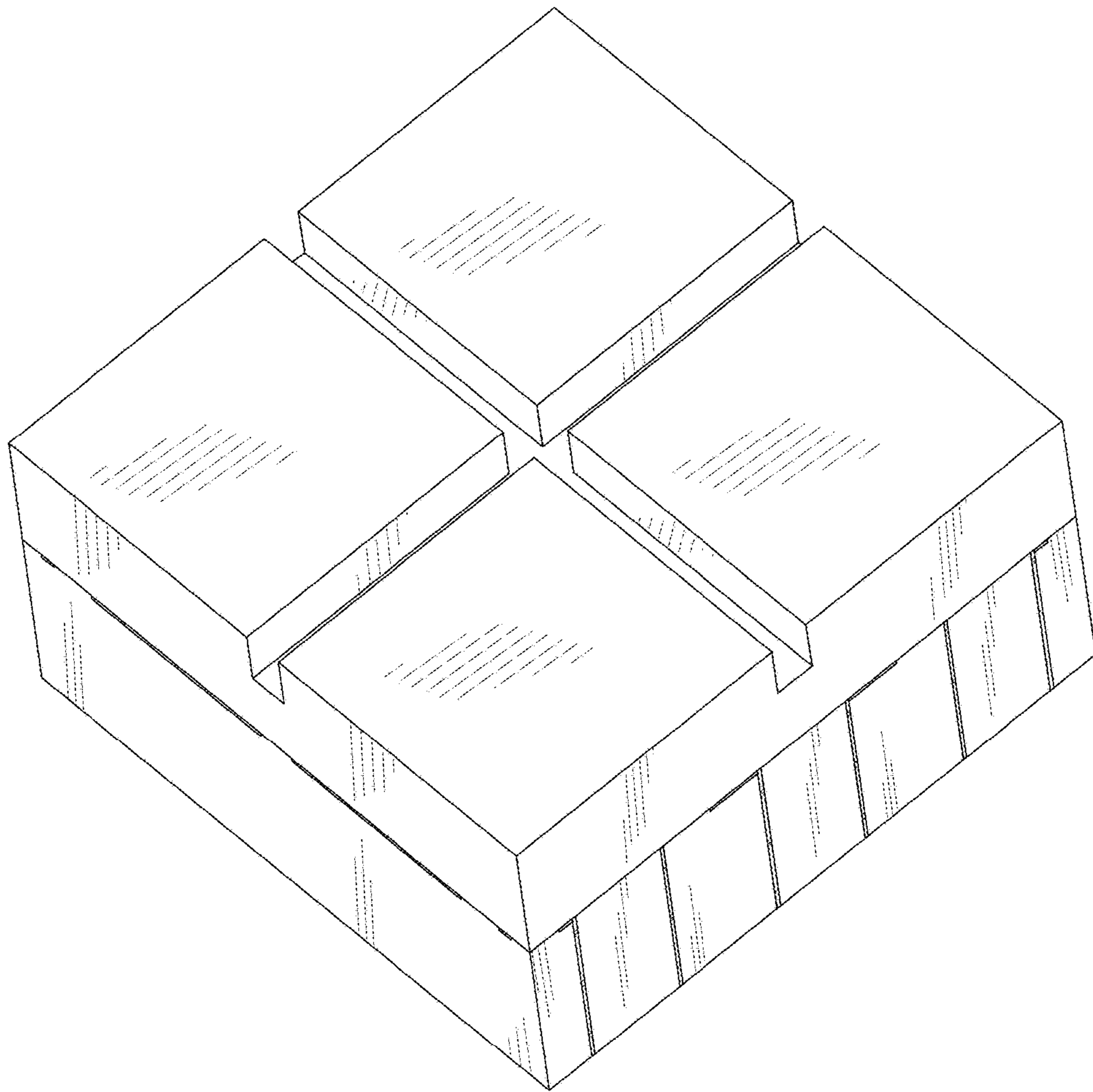


FIG. 1

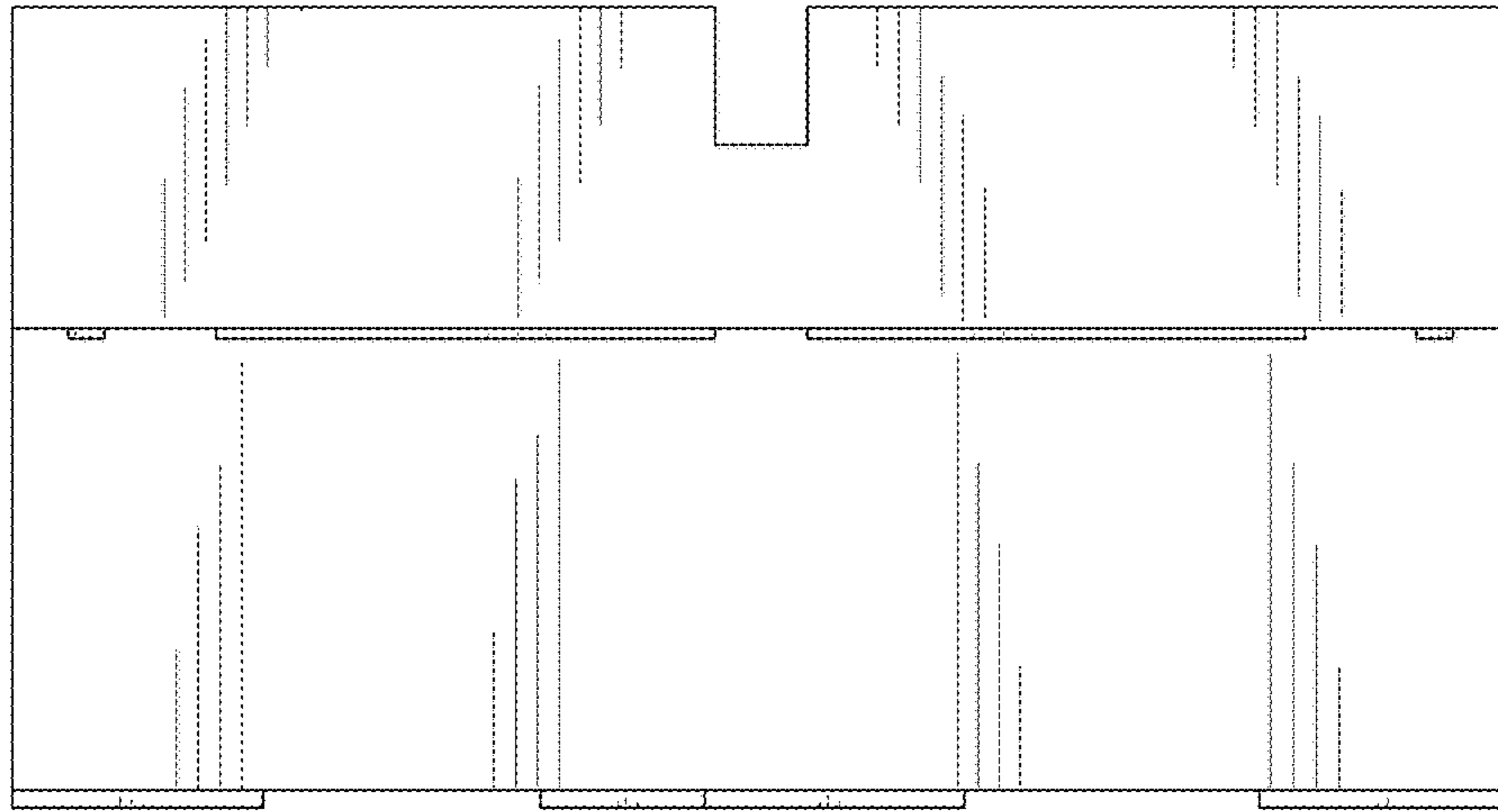


FIG. 2

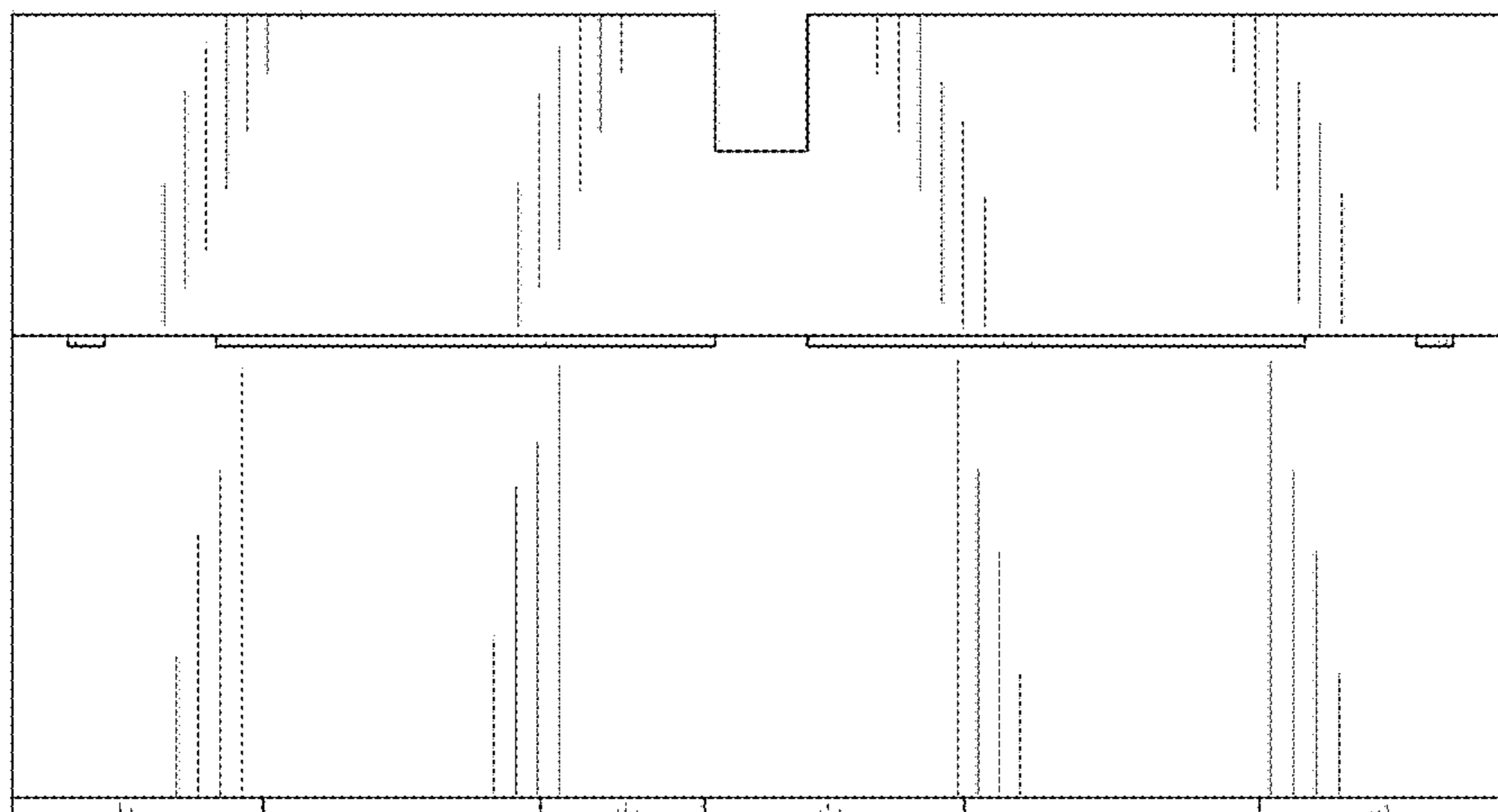


FIG. 3

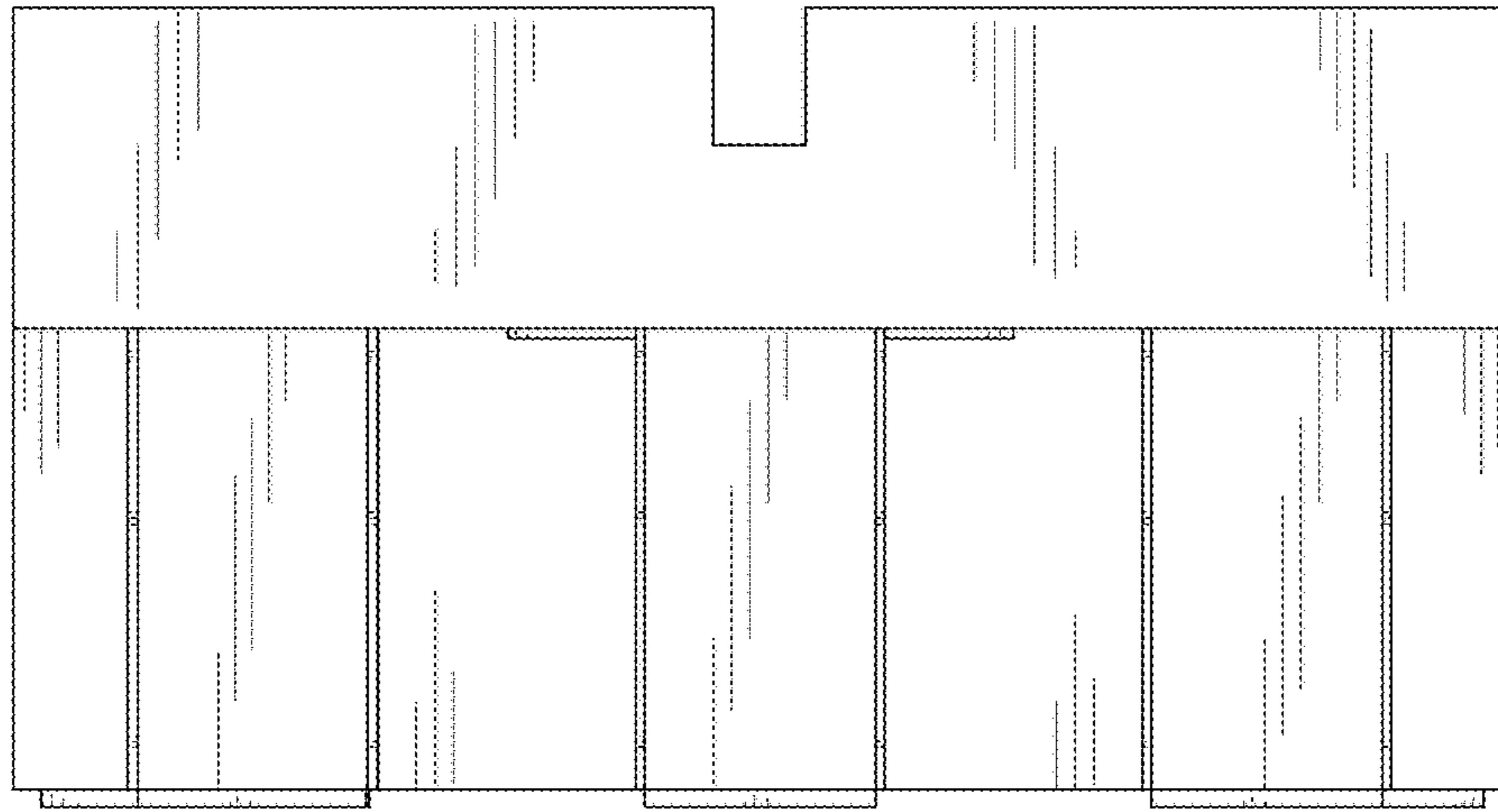


FIG. 4

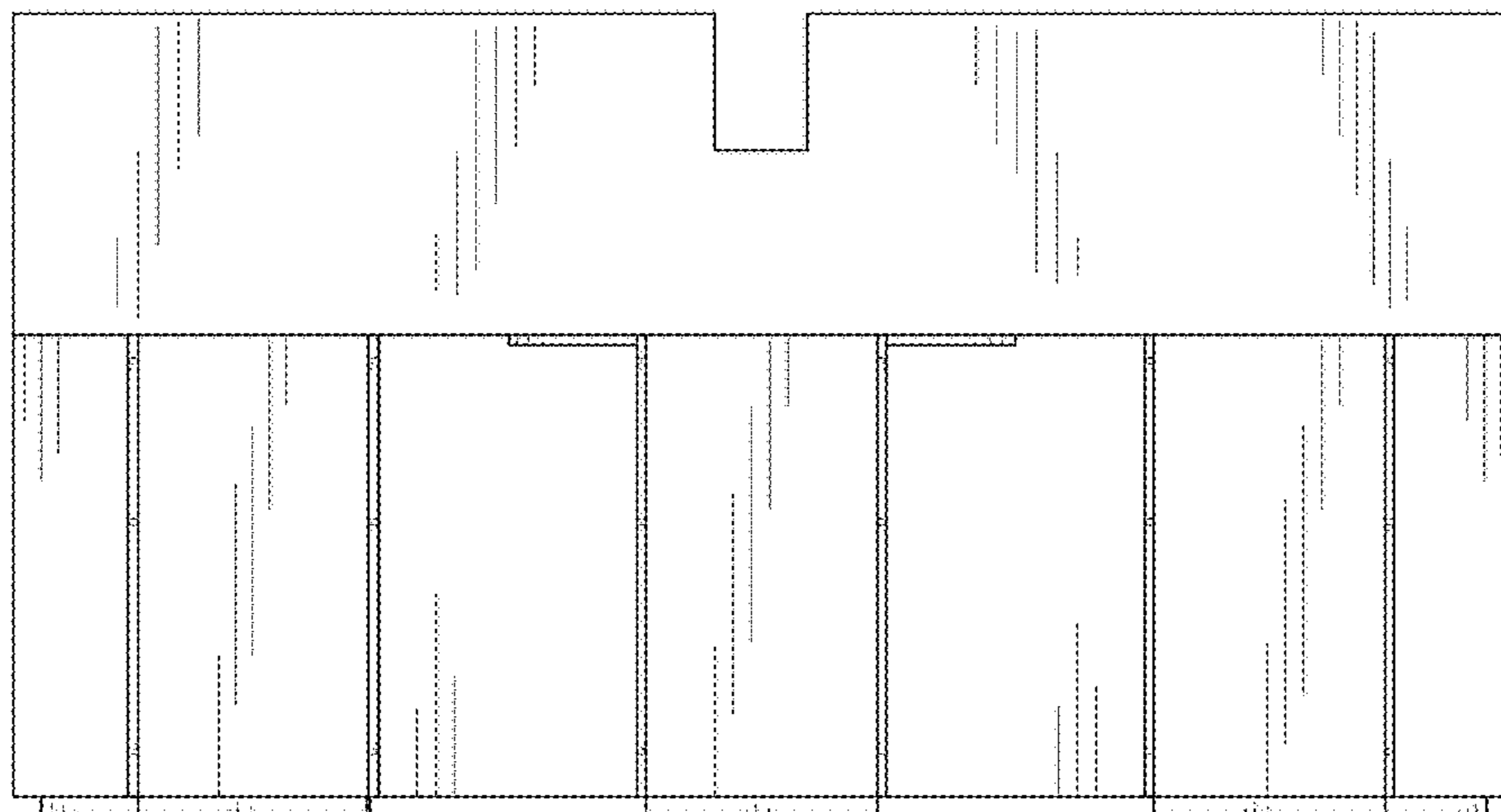


FIG. 5

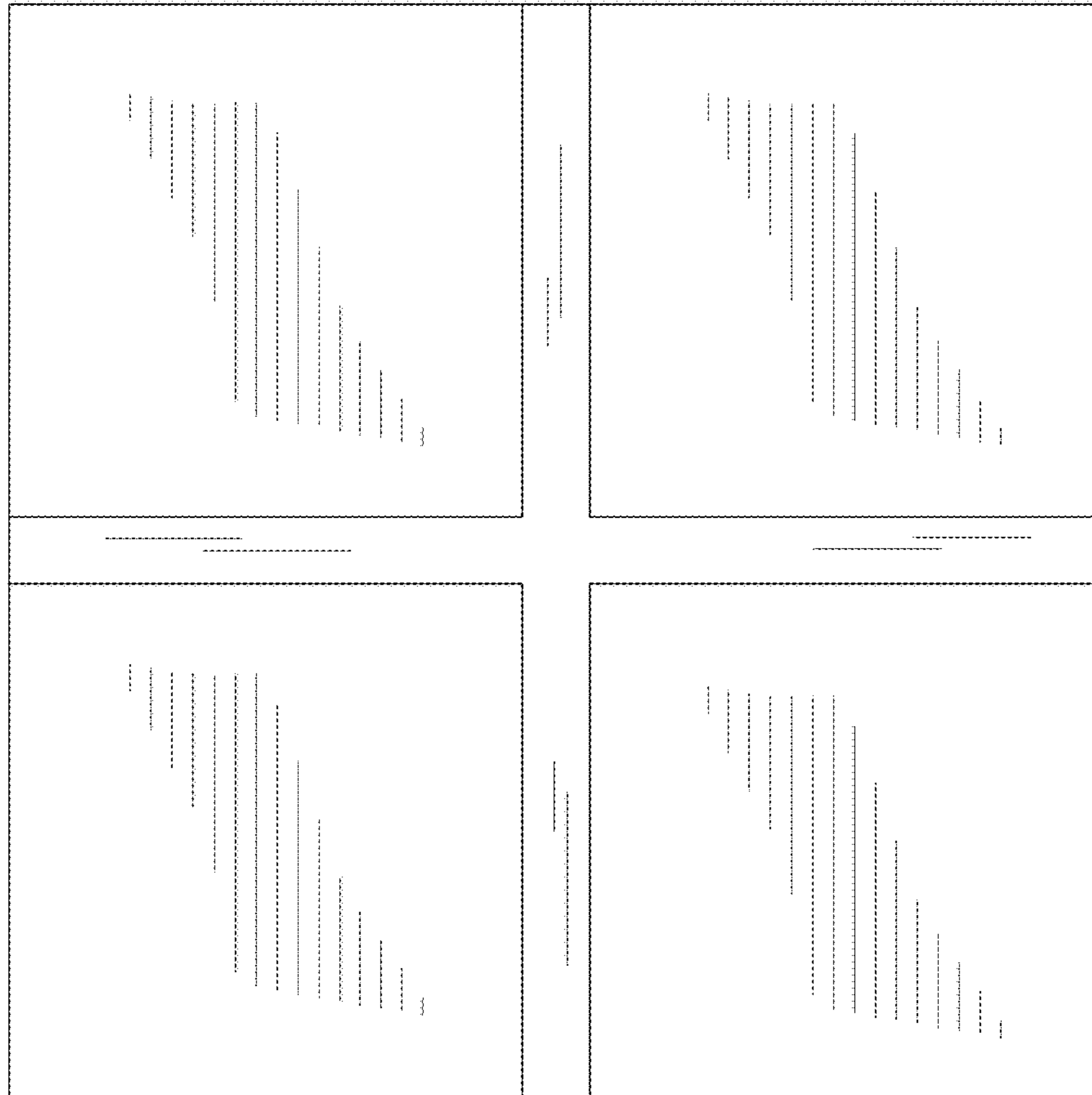


FIG. 6

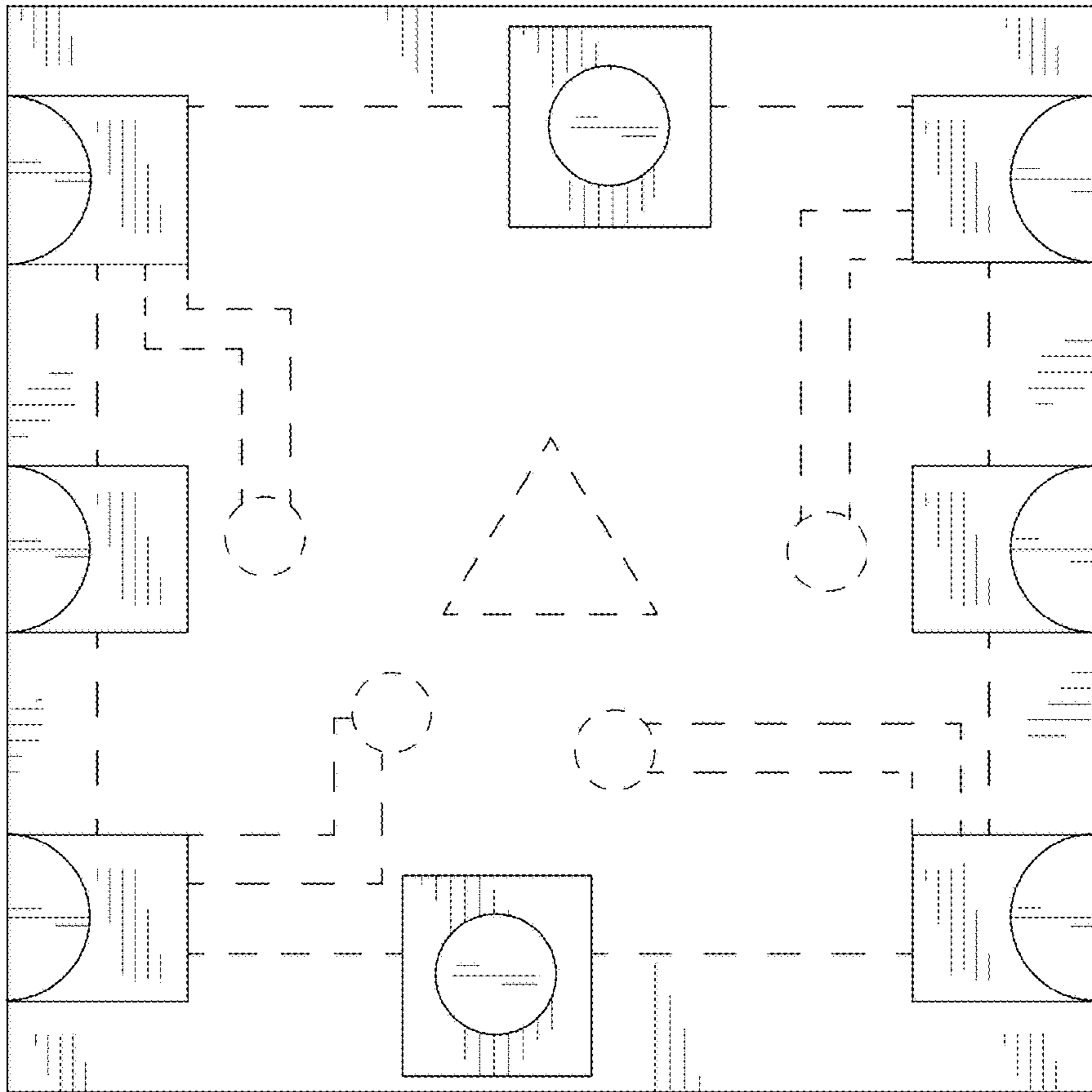


FIG. 7