

US00D864128S

(12) **United States Design Patent** (10) **Patent No.:** **US D864,128 S**
Ferdinand et al. (45) **Date of Patent:** **** Oct. 22, 2019**

(54) **REMOTE CONTROL**

FOREIGN PATENT DOCUMENTS

(71) Applicant: **FM MARKETING GMBH**, Neumarkt
am Wallersee (AT)

CN 303691639 * 11/2015
CN 303888105 * 5/2016
EM 002398354-0001 * 2/2014

(72) Inventors: **Maier Ferdinand**, Neumarkt am
Wallersee (AT); **Erwin Weitgasser**,
Salzburg (AT)

OTHER PUBLICATIONS

(73) Assignee: **fm marketing gmbh**, Neumarkt am
Wallersee (AT)

Ruwido tau remote control, no date available, [online], [site visited
May 28, 2019]. Retrieved from url:https://www.ruwido.com/products/
tau/ (Year: 2019).*

(Continued)

(**) Term: **15 Years**

Primary Examiner — Jeffrey D Asch

(21) Appl. No.: **35/504,864**

Assistant Examiner — Tracey J Bell

(22) Filed: **Jul. 25, 2017**

(74) *Attorney, Agent, or Firm* — Stinson LLP

(80) **Hague Agreement Data**

(57) **CLAIM**

Int. Filing Date: **Jul. 25, 2017**

The ornamental design for a remote control, as shown and
described.

Int. Reg. No.: **DM/100697**

DESCRIPTION

Int. Reg. Date: **Jul. 25, 2017**

Int. Reg. Pub. Date: **May 4, 2018**

(30) **Foreign Application Priority Data**

Feb. 24, 2017 (EM) 003765445

(51) **LOC (12) Cl.** **14-03**

(52) **U.S. Cl.**
USPC **D13/168**

(58) **Field of Classification Search**
USPC D14/218, 388, 358, 247; D13/168, 162,
D13/184

(Continued)

(56) **References Cited**

U.S. PATENT DOCUMENTS

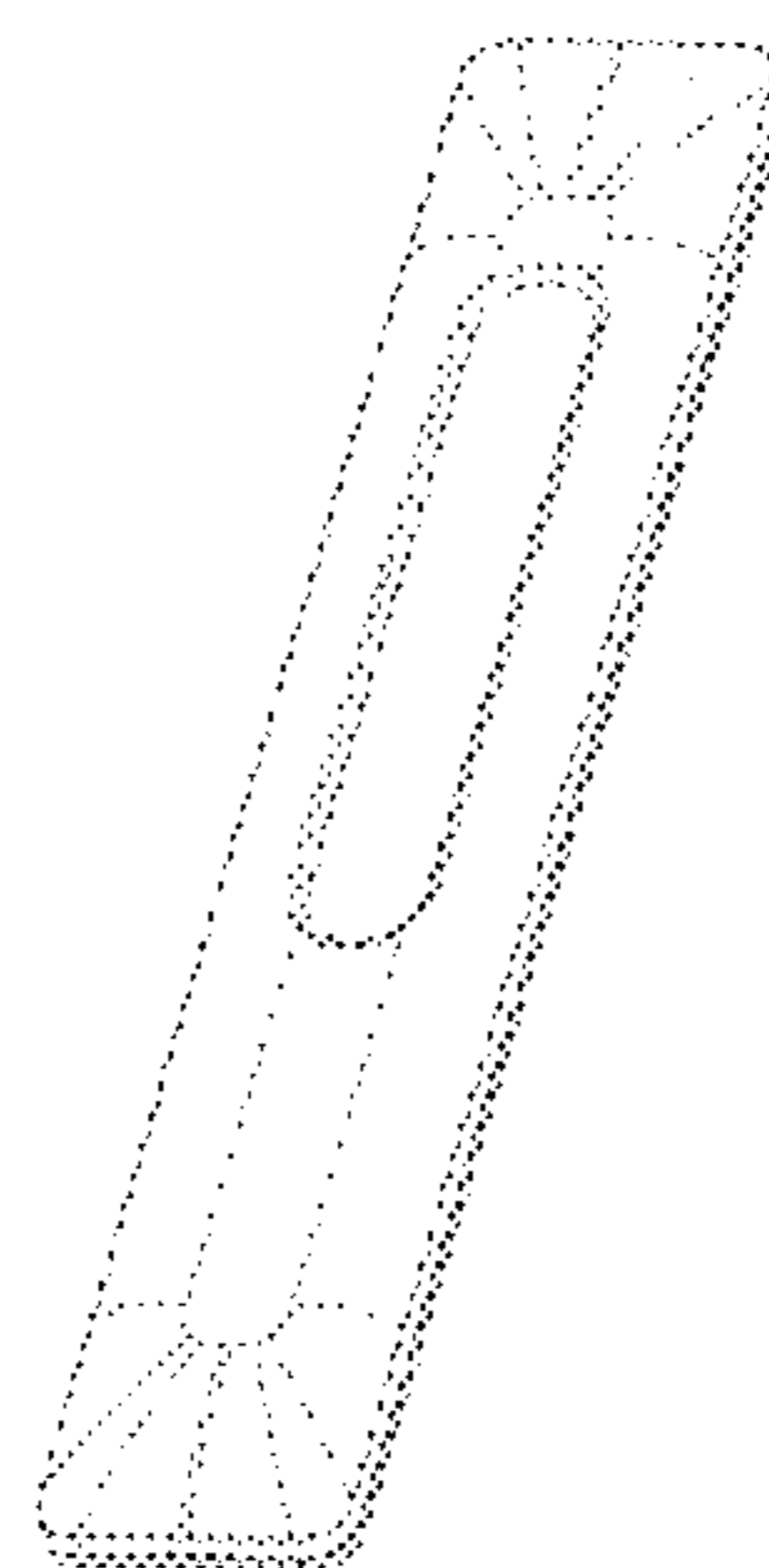
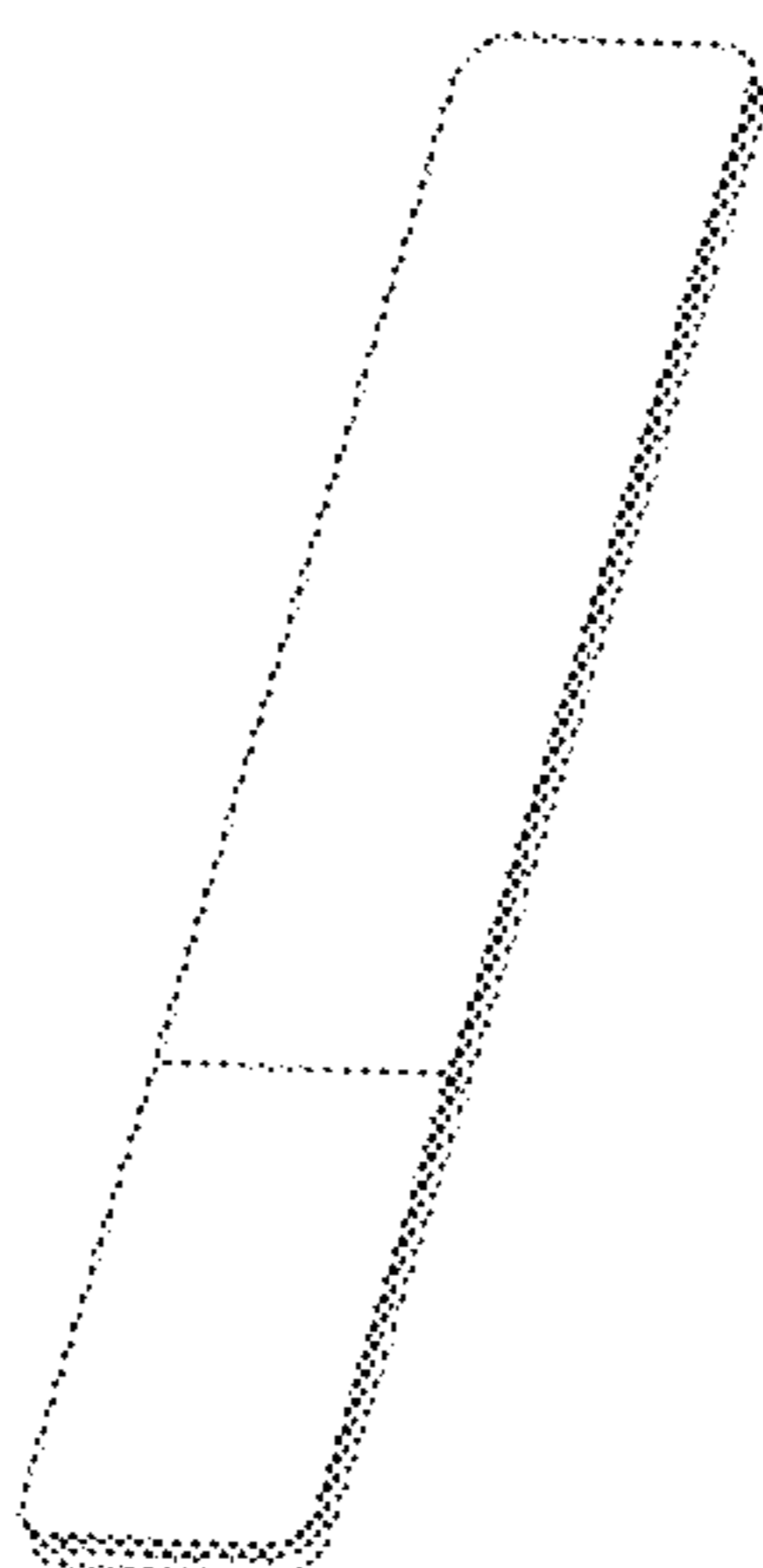
D485,534 S * 1/2004 Mayo D13/168

D589,941 S * 4/2009 Maier D14/218

(Continued)

- 1.-3. Remote controls
- 1.1 front elevation view
- 1.2 left elevation view
- 1.3 rear elevation view
- 1.4 front perspective view
- 1.5 top plan view
- 1.6 bottom plan view
- 1.7 right elevation view
- 1.8 rear perspective view
- 2.1 right elevation view
- 2.2 left elevation view
- 2.3 top plan view
- 2.4 front perspective view
- 2.5 front elevation view
- 2.6 rear elevation view
- 2.7 bottom plan view
- 2.8 rear perspective view
- 3.1 top plan view
- 3.2 bottom plan view
- 3.3 right elevation view
- 3.4 left elevation view

(Continued)



3.5 rear elevation view
3.6 front elevation view

1 Claim, 22 Drawing Sheets

(58) **Field of Classification Search**

CPC H01H 9/0235; H01H 9/0242; H01H
2009/0257; H04B 1/202; H04N 5/4403
See application file for complete search history.

(56)

References Cited

U.S. PATENT DOCUMENTS

D611,932 S * 3/2010 Maier D14/218
D622,263 S * 8/2010 Maier D14/218
D633,479 S * 3/2011 Maier D14/218
D634,735 S * 3/2011 Maier D14/218
D692,417 S * 10/2013 Tu D14/218
D697,055 S * 1/2014 McManigal D14/218

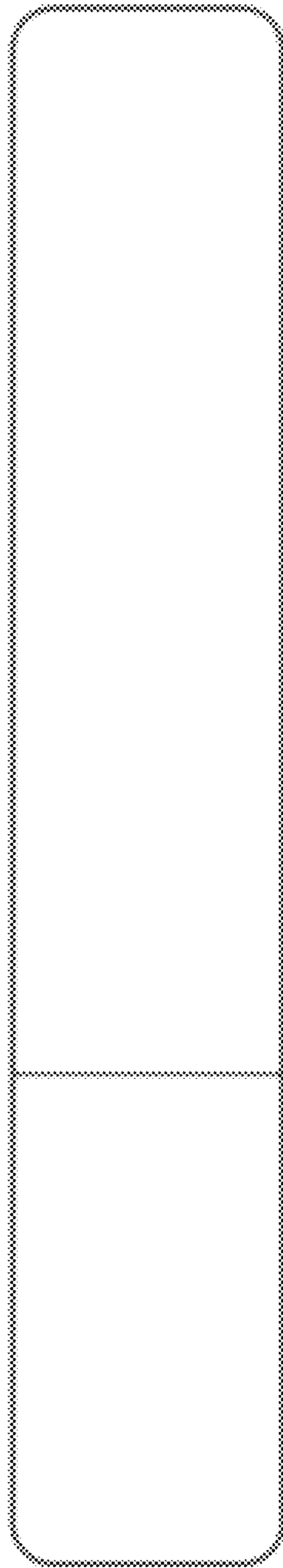
D724,547 S * 3/2015 Baldwin D13/168
D724,568 S * 3/2015 Peh D14/218
D726,831 S * 4/2015 Lee D13/168
D760,699 S * 7/2016 Peh D14/218
D763,204 S * 8/2016 Ikegaya D13/168
D763,830 S * 8/2016 Jones D14/218
D764,443 S * 8/2016 Cai D14/218
D797,059 S * 9/2017 Gong D13/168
D805,058 S * 12/2017 Akana D14/218
D825,495 S * 8/2018 Yagisawa D13/168
2013/0265698 A1* 10/2013 Baum H05K 5/0213
361/679.01
2018/0350535 A1* 12/2018 Maier G06F 3/044

OTHER PUBLICATIONS

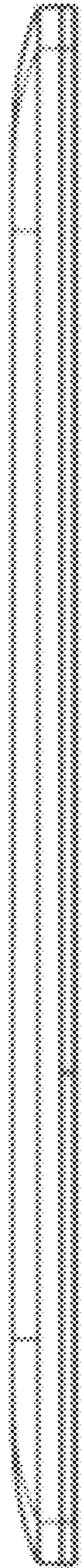
Anycon new generation of smart toilet remote control production.—
UNIPLAY, Mar. 14, 2018, [online], [site visited May 28, 2019].
Retrieved from url:<https://myuniplay.com/anycon-new-generation-of-smart-toilet-remote-control-production/> (Year: 2018).*

* cited by examiner

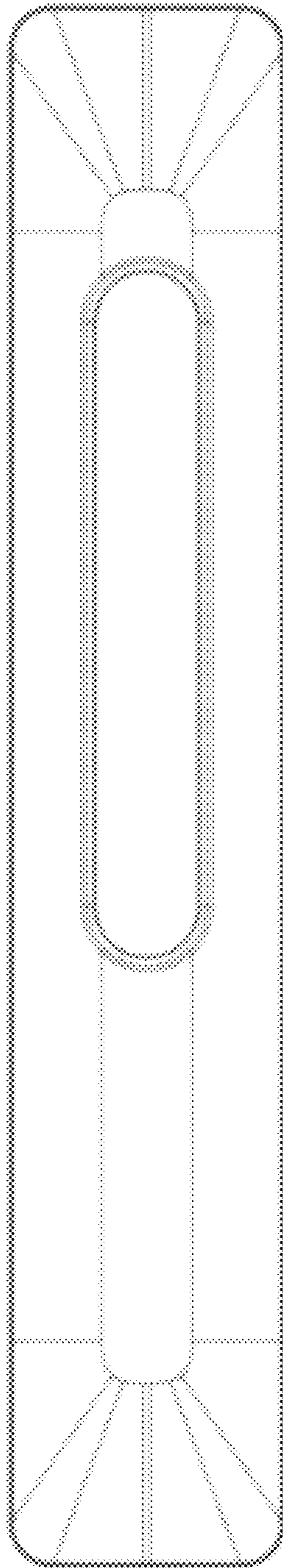
1.1



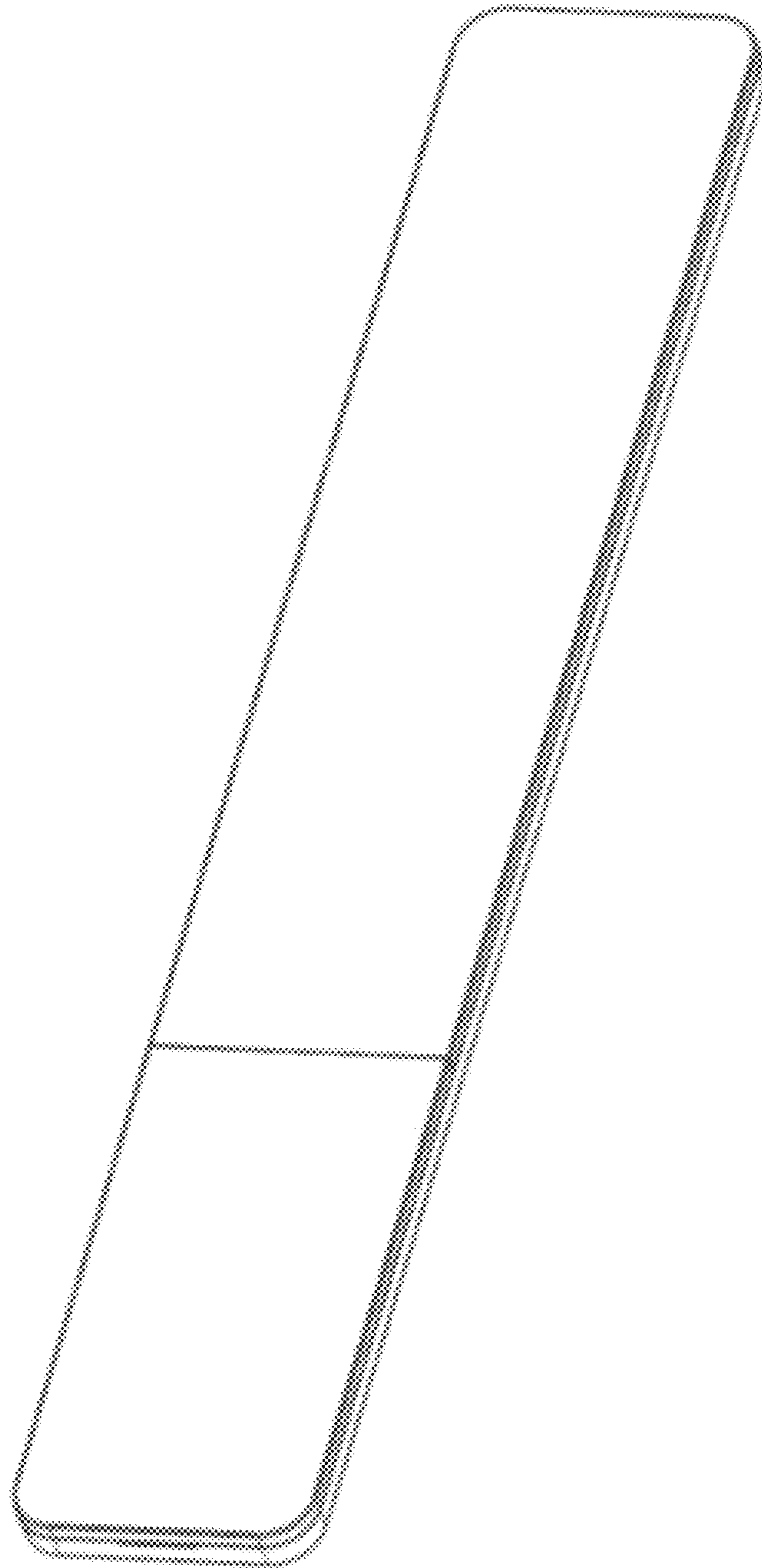
1.2



1.3



1.4



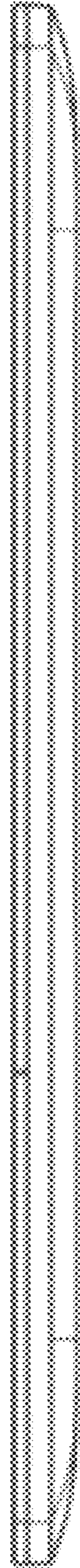
1.5



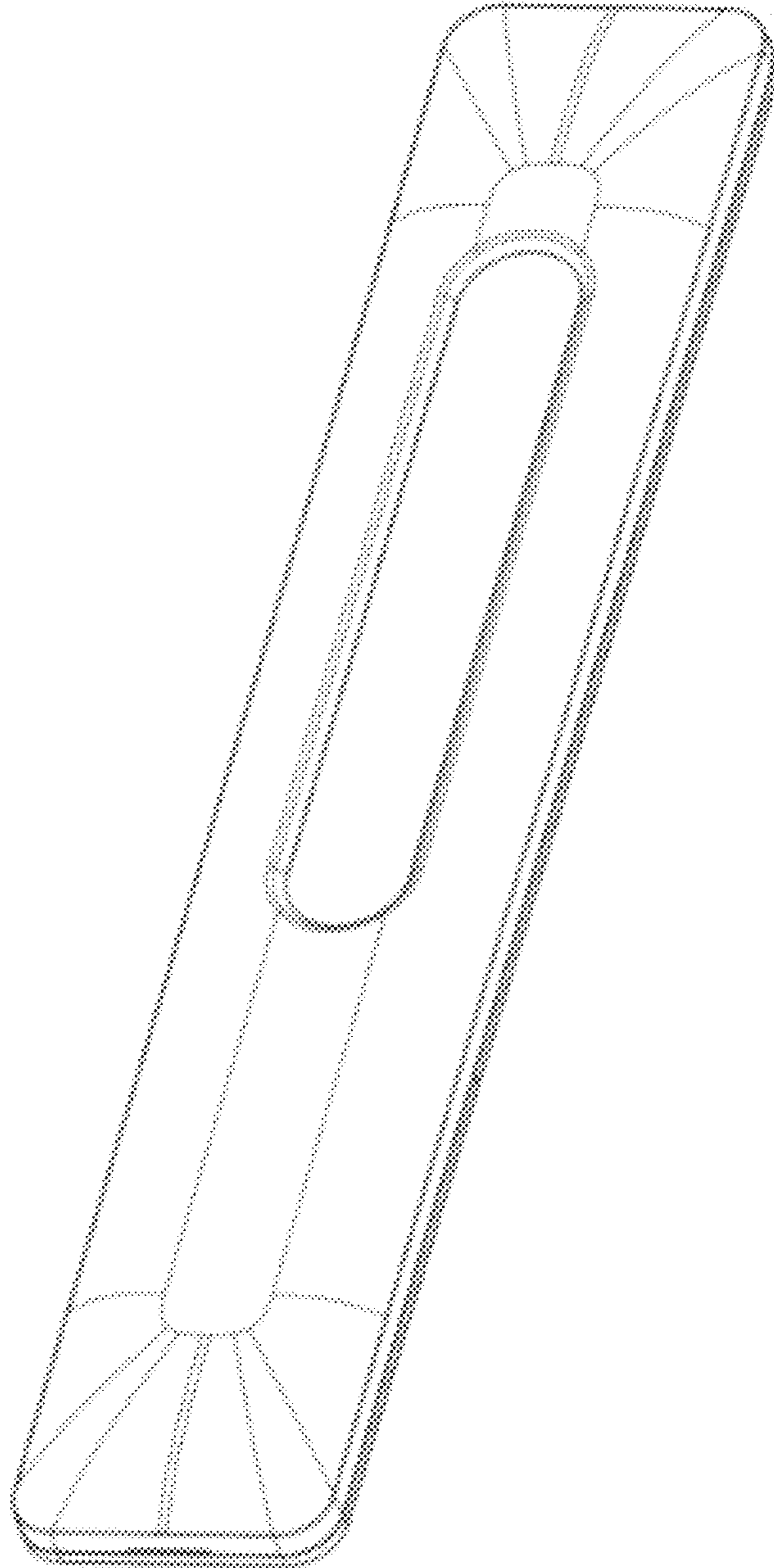
1.6



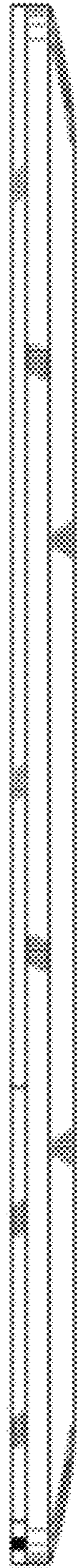
1.7



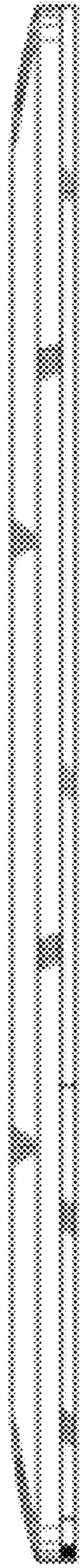
1.8



2.1



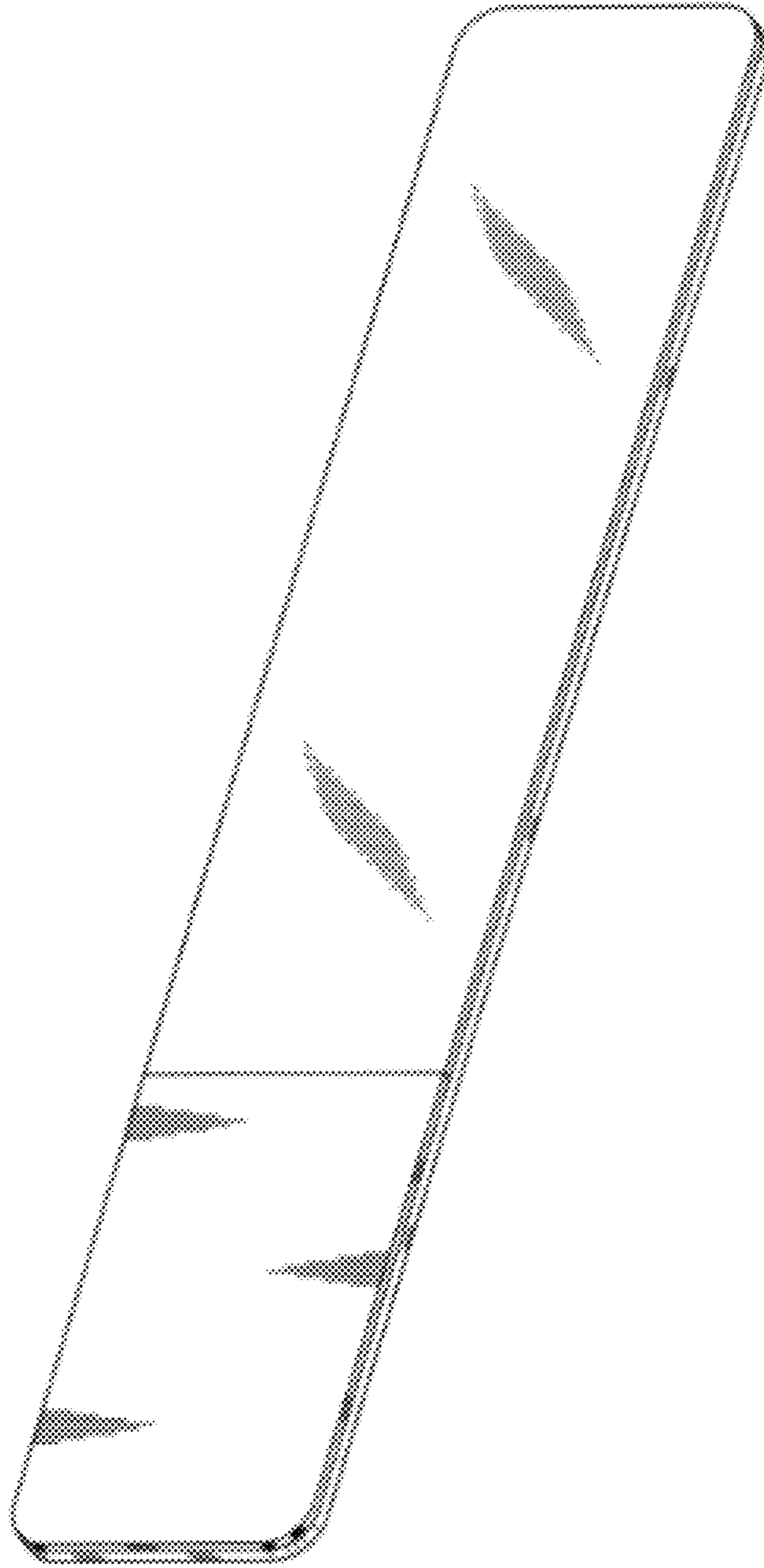
2.2



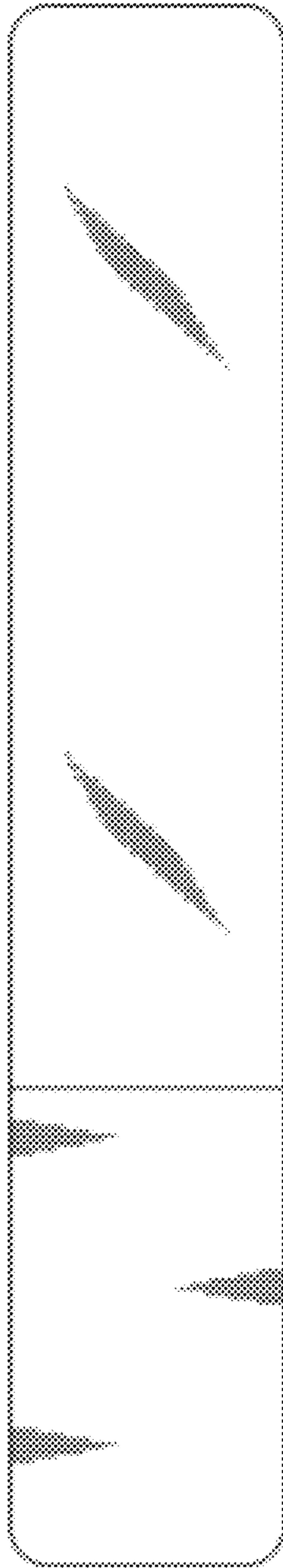
2.3



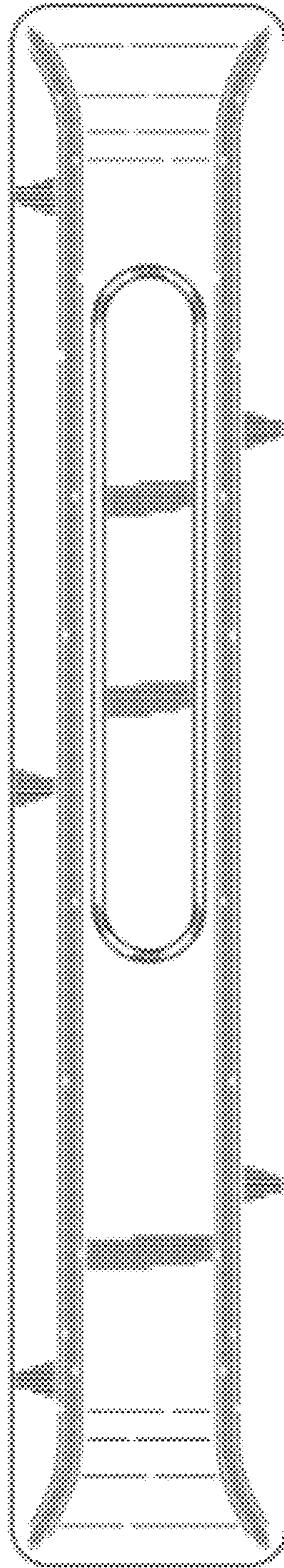
2.4



2.5



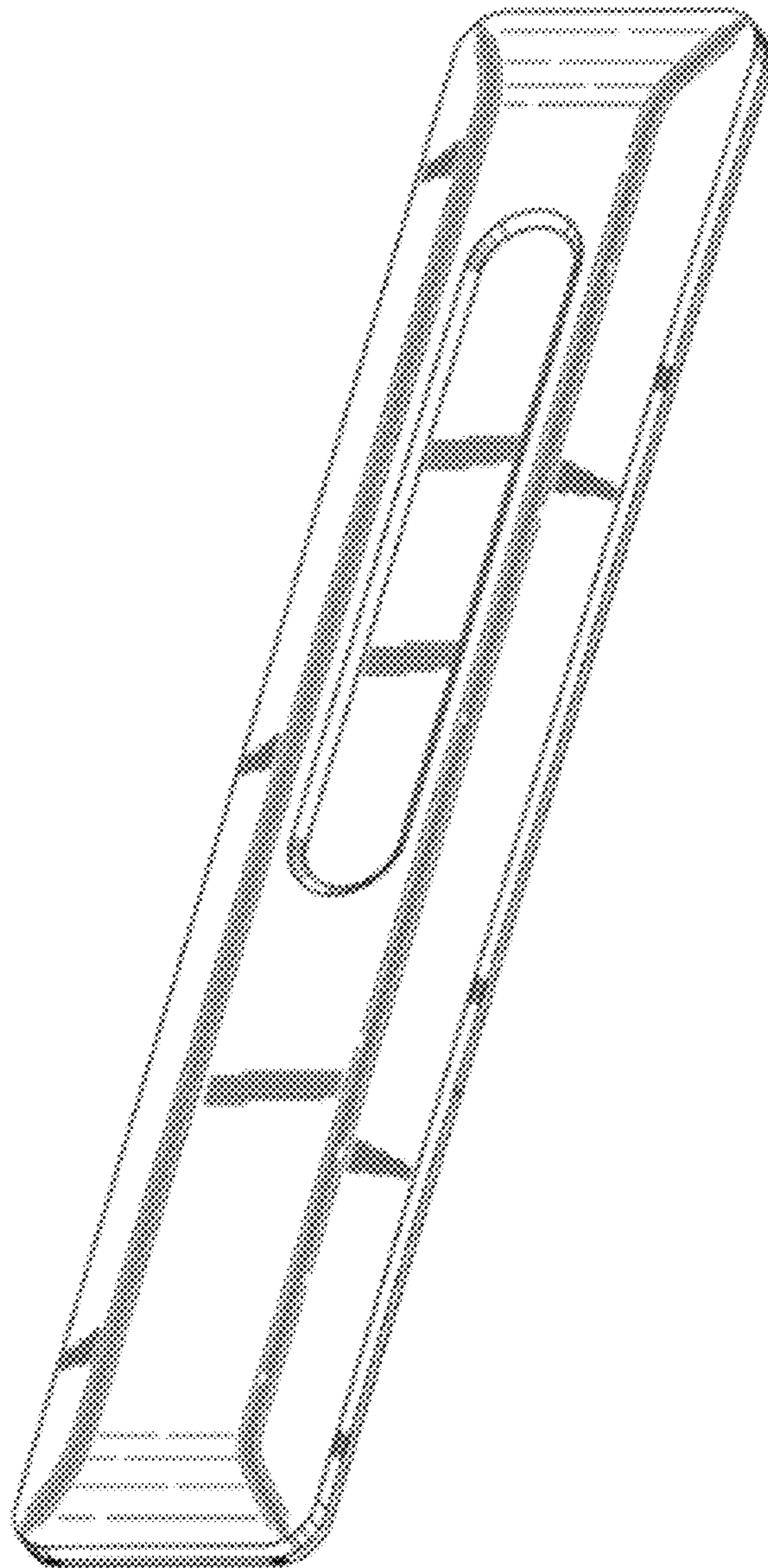
2.6



2.7



2.8



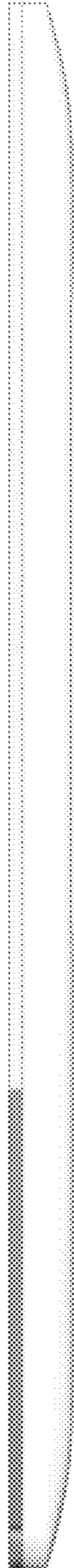
3.1



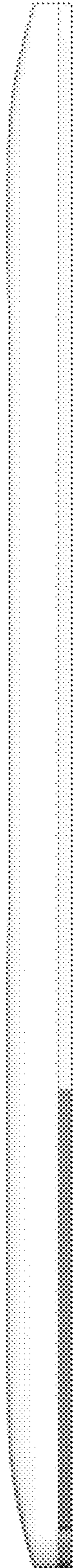
3.2



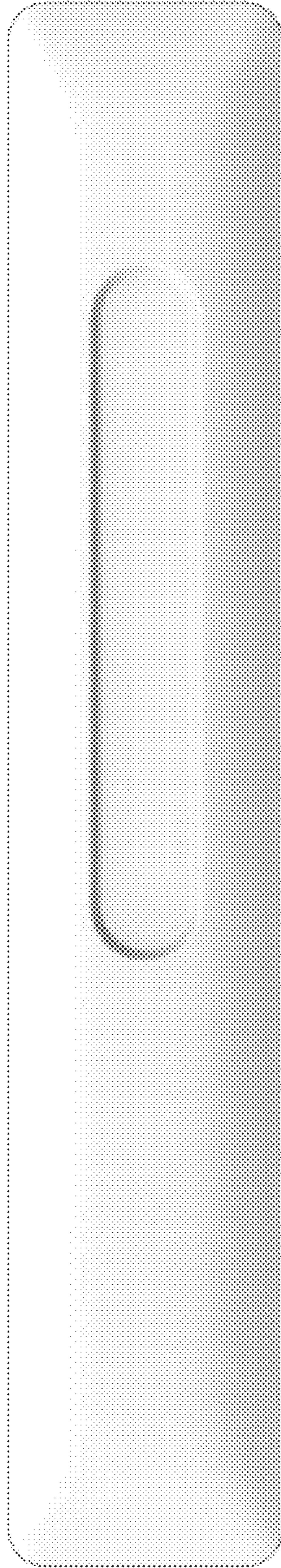
3.3



3.4



3.5



3.6

