



US00D864127S

(12) **United States Design Patent** (10) **Patent No.:** **US D864,127 S**
Hayes (45) **Date of Patent:** **** Oct. 22, 2019**

(54) **SWITCH WITH TRIM PLATE**
 (71) Applicant: **ECOBEE INC.**, Toronto (CA)
 (72) Inventor: **Jonathan Hayes**, Cambridge, MA (US)
 (73) Assignee: **ECOBEE INC.**, Toronto (CA)
 (**) Term: **15 Years**

D565,984	S	4/2008	Lidong et al.	
D654,030	S	2/2012	Hoffknecht et al.	
D706,726	S	6/2014	Mathew et al.	
9,136,839	B2	9/2015	Ni et al.	
D744,960	S	12/2015	Branham	
D755,732	S *	5/2016	Moeller	D13/162
D781,245	S *	3/2017	Okawa	D13/162
D781,792	S *	3/2017	Okawa	D13/162
2009/0058193	A1	3/2009	Reid et al.	
2011/0253516	A1	10/2011	Figuroa et al.	

(21) Appl. No.: **29/641,301**
 (22) Filed: **Mar. 21, 2018**

OTHER PUBLICATIONS

USPTO, Non-Final Rejection, Aug. 28, 2018, re Design U.S. Appl. No. 29/602,424.

Related U.S. Application Data

(63) Continuation-in-part of application No. 29/602,424, filed on May 1, 2017.

(51) **LOC (12) Cl.** **13-03**

(52) **U.S. Cl.**
USPC **D13/162; D10/106.8**

(58) **Field of Classification Search**
 USPC D13/162, 164, 171; D10/106.8
 CPC H01H 3/02; H01H 3/0213; H01H 3/12;
 H01H 3/122; H01H 9/02; H01H 9/16;
 H01H 9/161; H01H 9/18; H05B 33/0803;
 H05B 33/0863; H05B 37/0227; H05B
 37/0272; H05B 39/02; H05B 39/085;
 H05B 39/086; H05B 39/088
 See application file for complete search history.

(56) **References Cited**

U.S. PATENT DOCUMENTS

D380,452	S	7/1997	Mix et al.
D472,486	S	4/2003	Eckel et al.
D535,204	S	1/2007	Bender et al.

* cited by examiner

Primary Examiner — Selina Sikder

(74) *Attorney, Agent, or Firm* — Perry + Currier Inc.

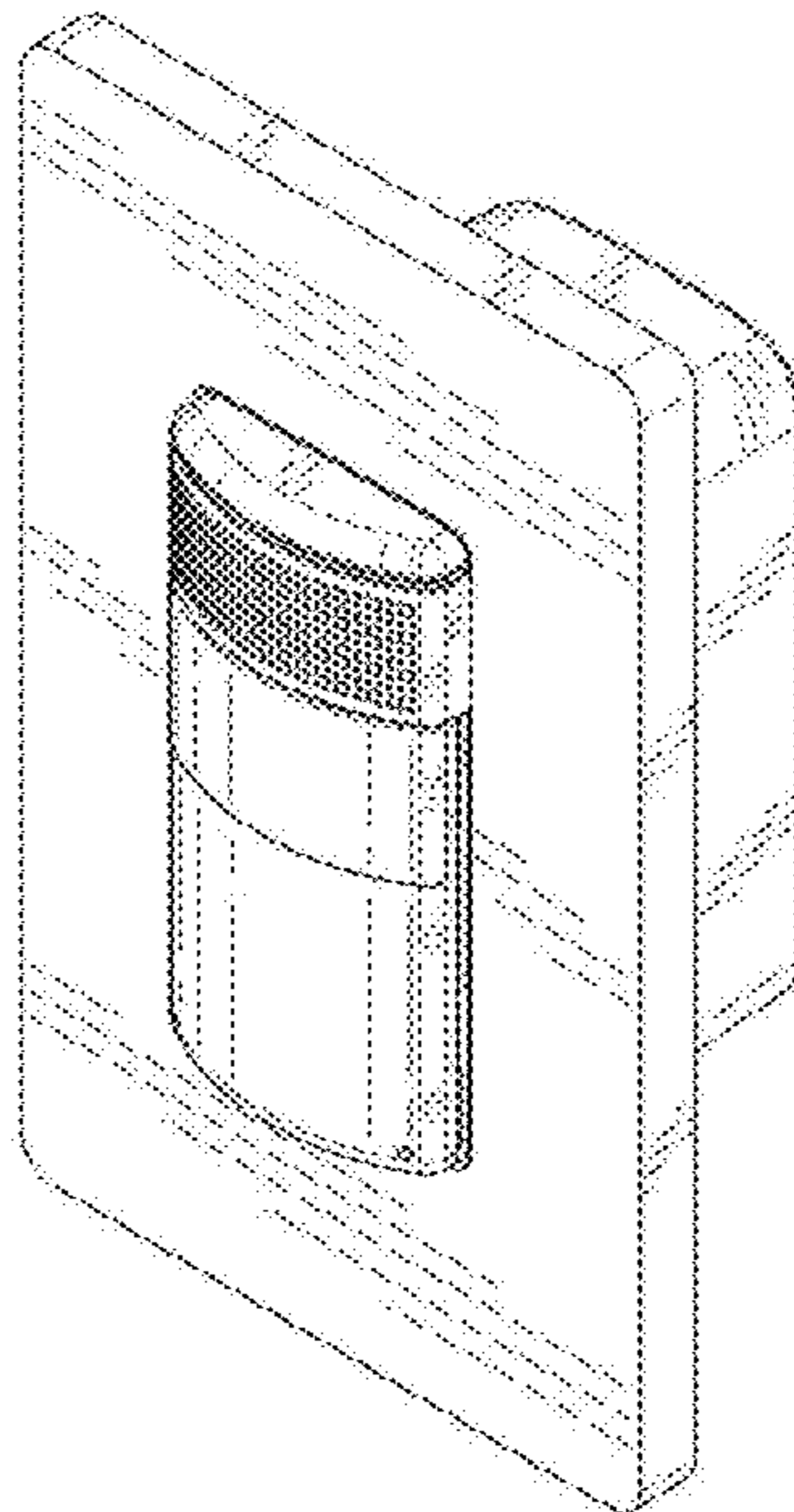
(57) **CLAIM**

I claim the ornamental design for a switch with trim plate, as shown and described.

DESCRIPTION

FIG. 1 is a perspective view of a switch with trim plate showing my new design;
 FIG. 2 is a front elevation view thereof;
 FIG. 3 is a rear elevation view thereof;
 FIG. 4 is a top plan view thereof;
 FIG. 5 is a bottom plan view thereof;
 FIG. 6 is a left side elevation view thereof; and,
 FIG. 7 is a right side elevation view thereof.
 The broken lines are included for illustrative purposes only and form no part of the claimed design.

1 Claim, 5 Drawing Sheets



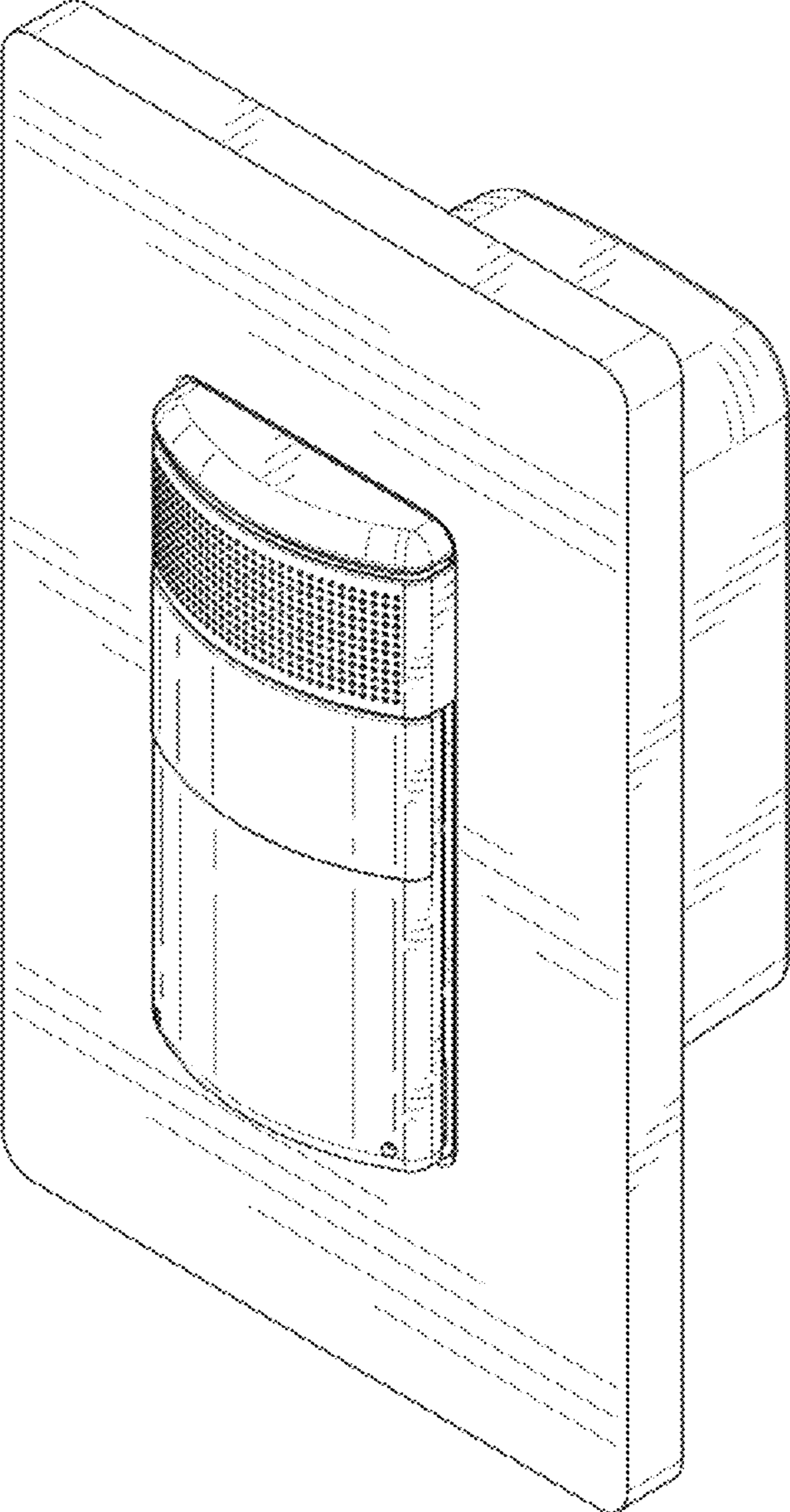


FIG. 1

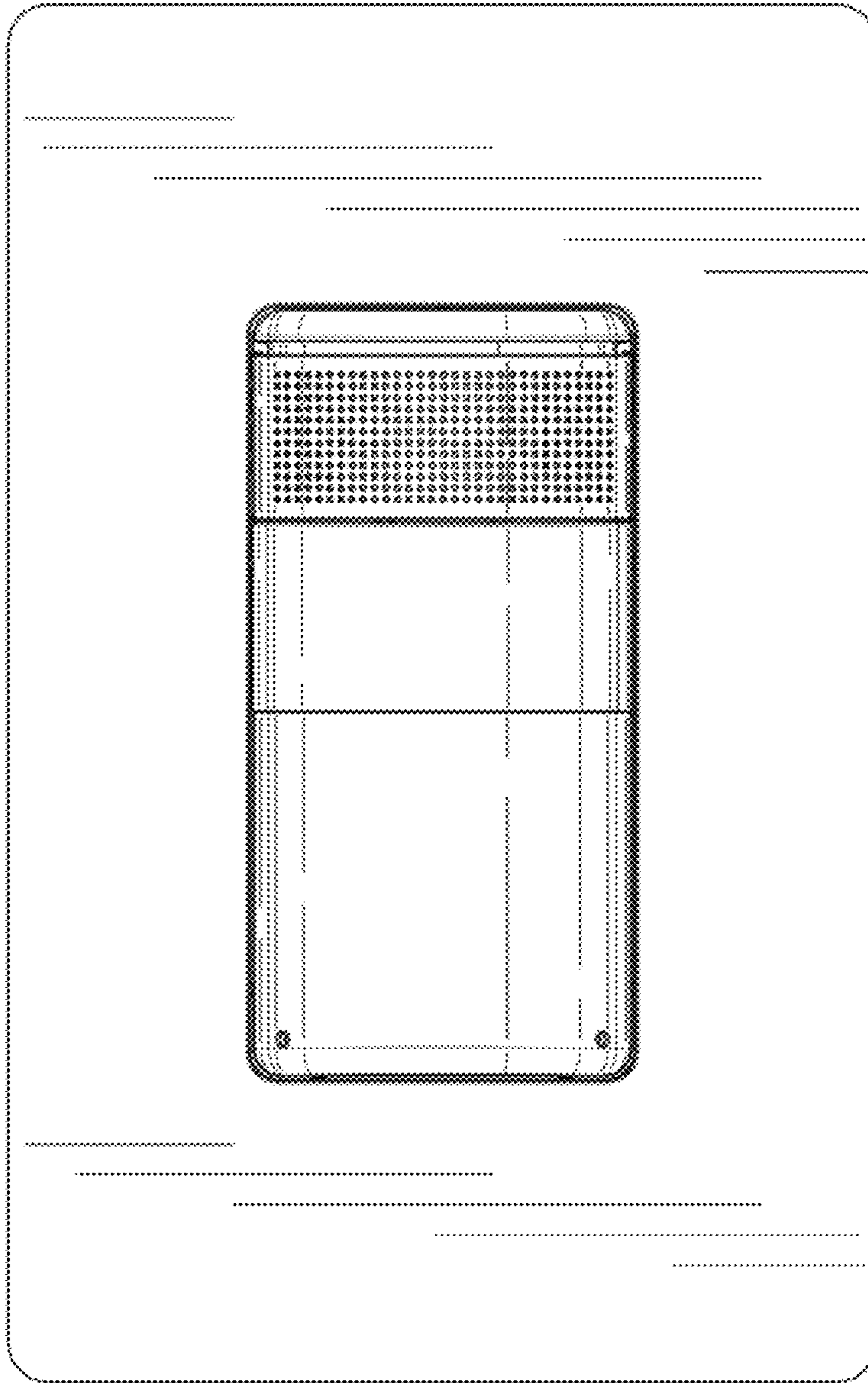


FIG. 2

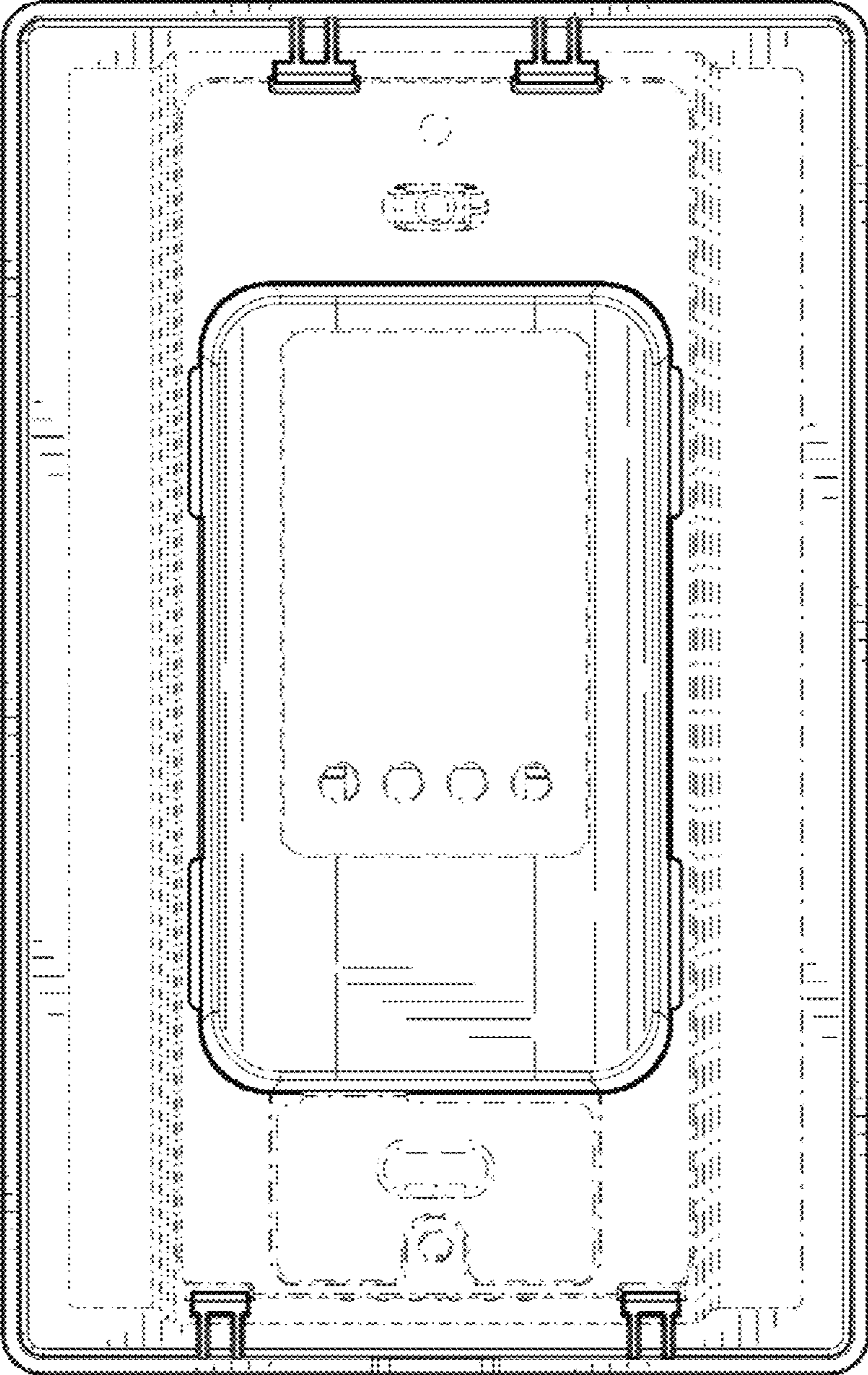


FIG. 3

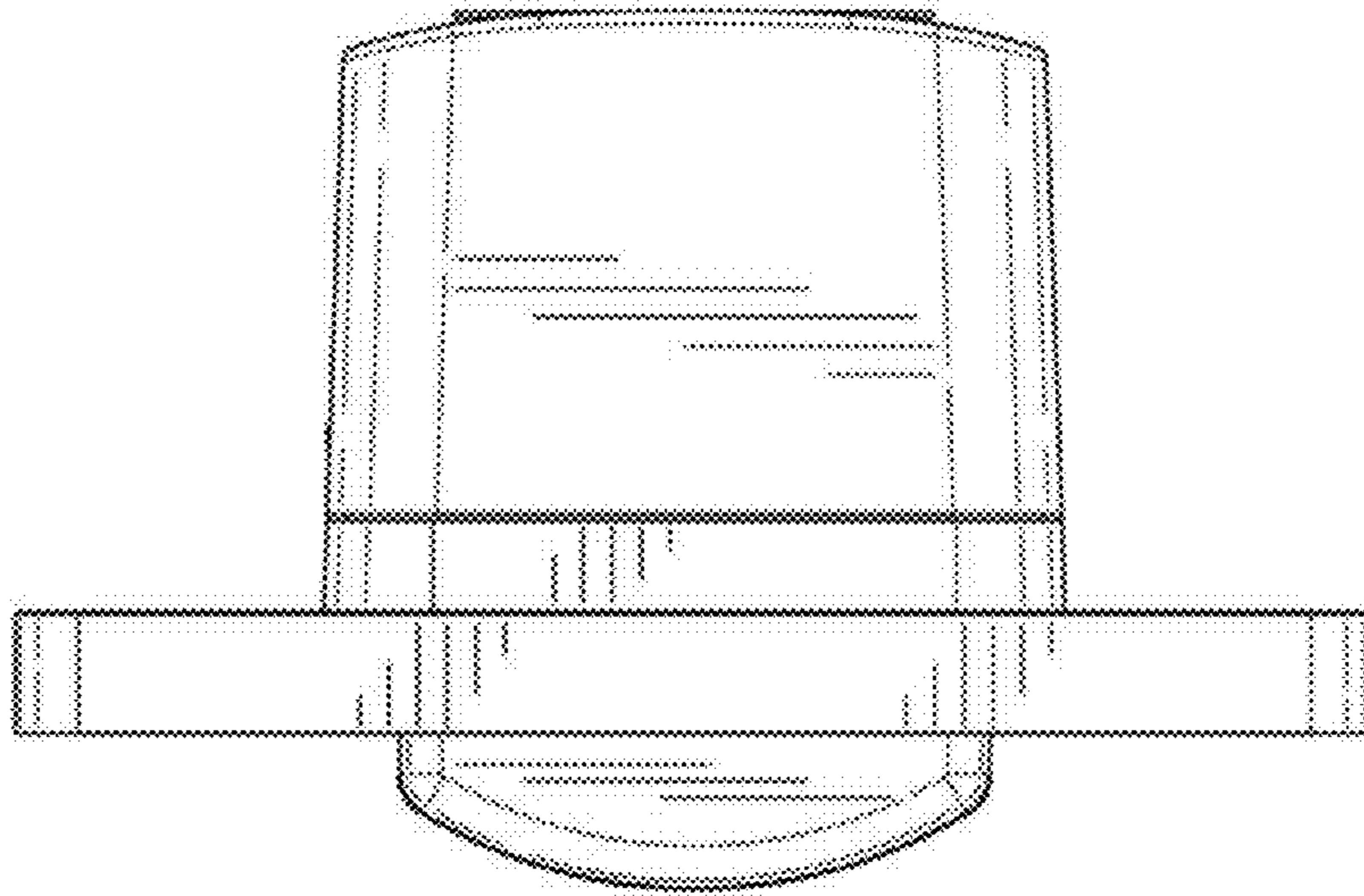


FIG. 4

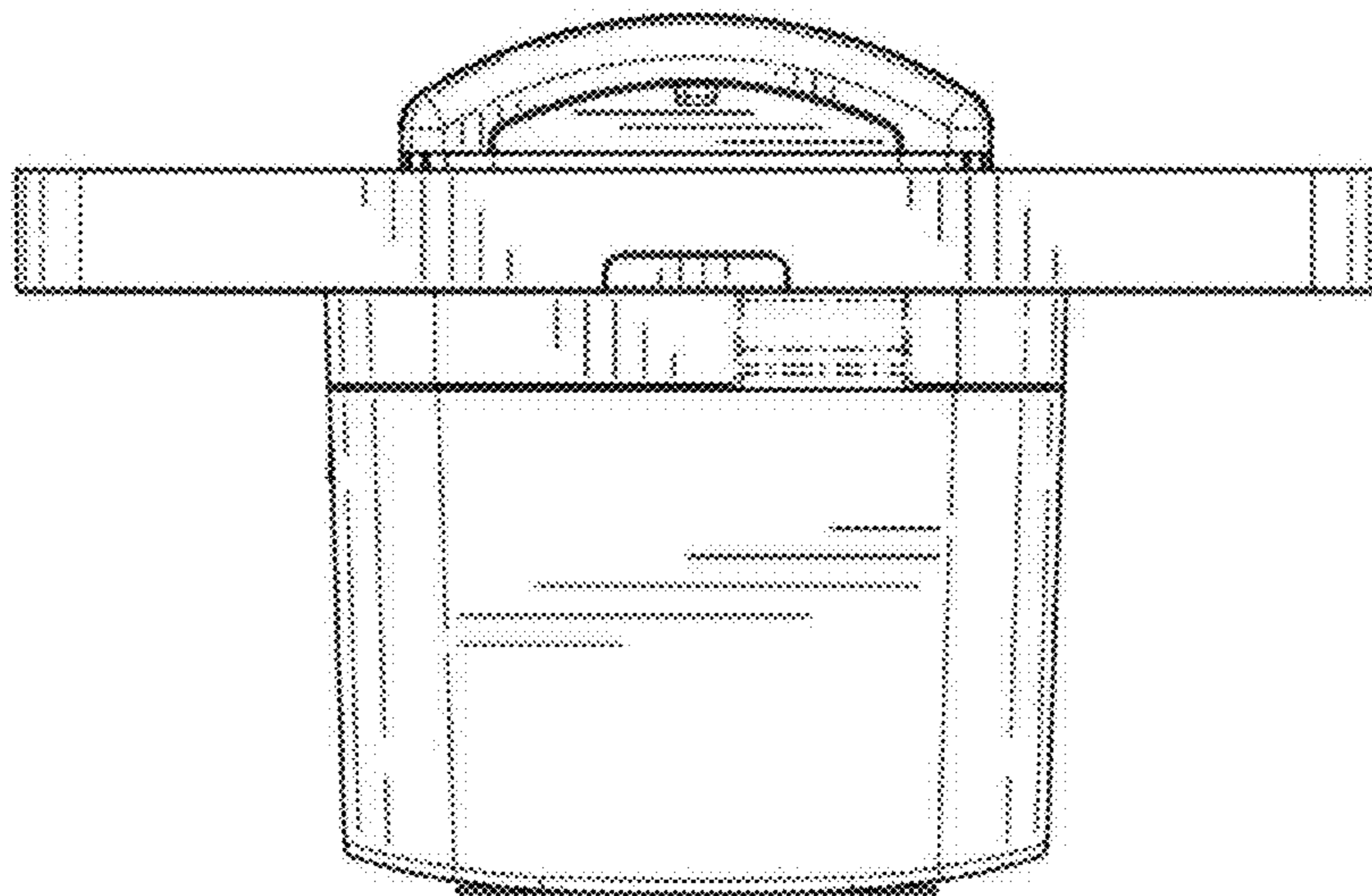


FIG. 5

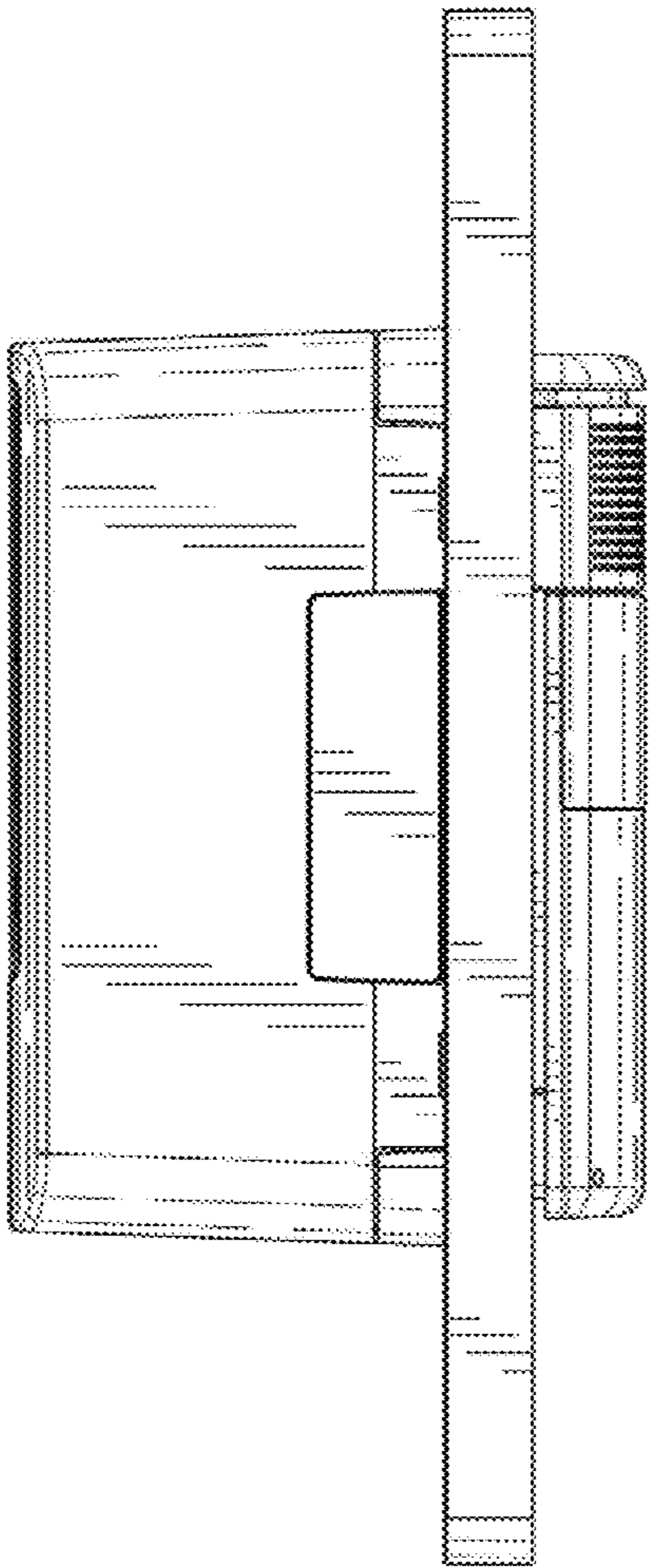


FIG. 6

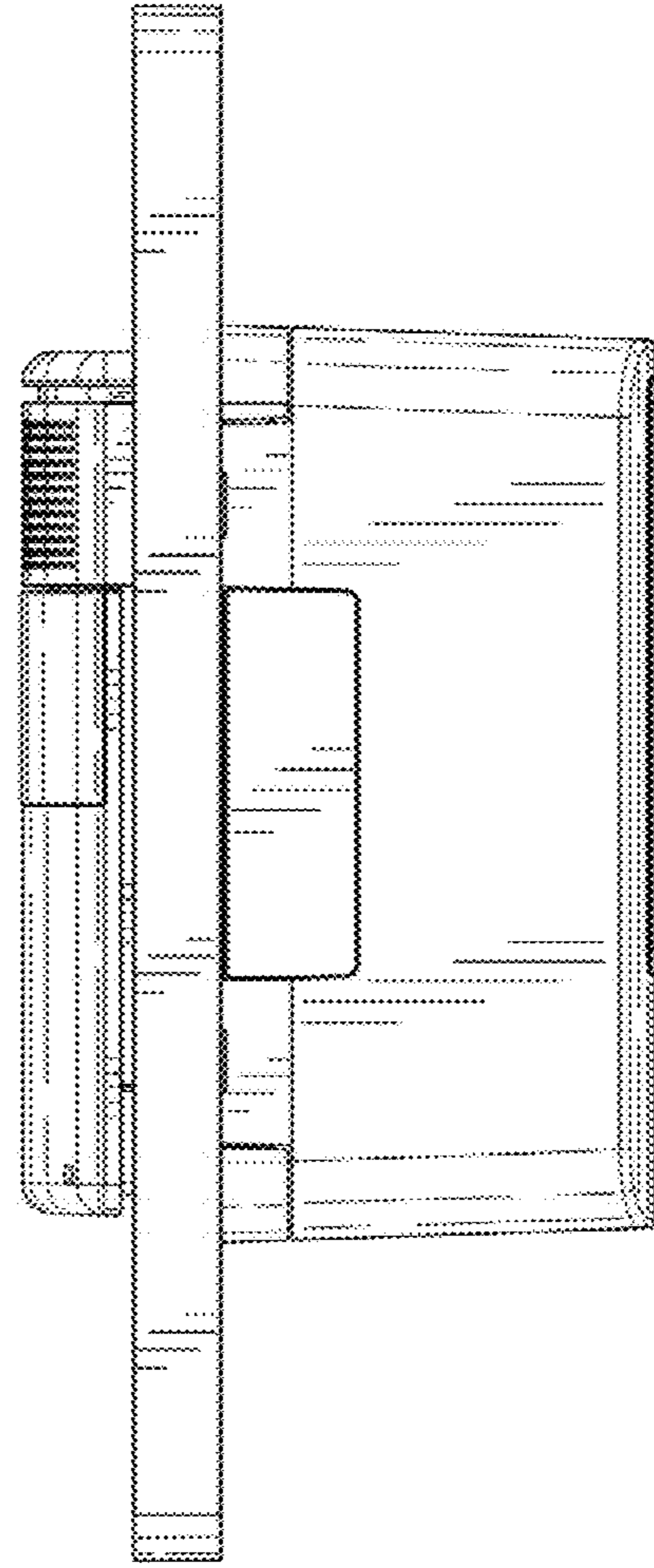


FIG. 7