



US00D864126S

(12) **United States Design Patent** (10) **Patent No.:** **US D864,126 S**  
**Colbaugh et al.** (45) **Date of Patent:** **\*\* \*Oct. 22, 2019**

(54) **THREE PHASE BUS MOUNTED SURGE PROTECTION DEVICE**

(71) Applicant: **Eaton Intelligent Power Limited**,  
Dublin (IE)

(72) Inventors: **Paul Anthony Colbaugh**, Allison Park,  
PA (US); **James Nicholas Skoczlas**,  
Bridgeville, PA (US)

(73) Assignee: **Eaton Intelligent Power Limited**,  
Dublin (IE)

(\*) Notice: This patent is subject to a terminal disclaimer.

(\*\*) Term: **15 Years**

(21) Appl. No.: **29/676,802**

(22) Filed: **Jan. 15, 2019**

**Related U.S. Application Data**

(63) Continuation of application No. 29/617,453, filed on  
Sep. 14, 2017, now Pat. No. Des. 842,257.

(51) **LOC (12) Cl.** ..... **13-03**

(52) **U.S. Cl.**  
USPC ..... **D13/160; D13/158**

(58) **Field of Classification Search**  
USPC .... D13/110, 112, 122, 123, 156, 158–162.1,  
D13/173, 177, 178, 184, 199

CPC ..... H01H 9/00; H01H 71/00; H01H 71/02;  
H01H 71/12; H01H 1/06; H01H 1/20;  
H01H 3/32; H01H 9/02; H01H 9/28;  
H01H 21/04; H01H 21/22; H01H 33/02;  
H01H 33/08; H01H 33/10; H01H 33/18;  
H01H 3/26; H01H 36/00; H01H 47/00;  
H01H 50/14; H01H 50/16; H01H 1/64;  
H01H 33/53; H01H 71/04; H01H 71/08;  
H01H 71/10; H01H 71/24; H05K 7/00;  
H05K

(Continued)

(56) **References Cited**

**U.S. PATENT DOCUMENTS**

4,862,125 A 8/1989 Maier  
5,483,213 A 1/1996 Mueller

(Continued)

**OTHER PUBLICATIONS**

Eaton Surge Protection (SPD) and Power Conditioning Products,  
dated Sep. 2016, [online], [site visited May 22, 2018]. Available  
from Internet, <URL:http://www.eaton.com/ecm/groups/public/  
@pub/@electrical/documents/content/th048000003e.pdf> (Year: 2016).

*Primary Examiner* — Angela J Lee

*Assistant Examiner* — Shawn T Gingrich

(74) *Attorney, Agent, or Firm* — Stanek Lemon Crouse &  
Meeks, PA

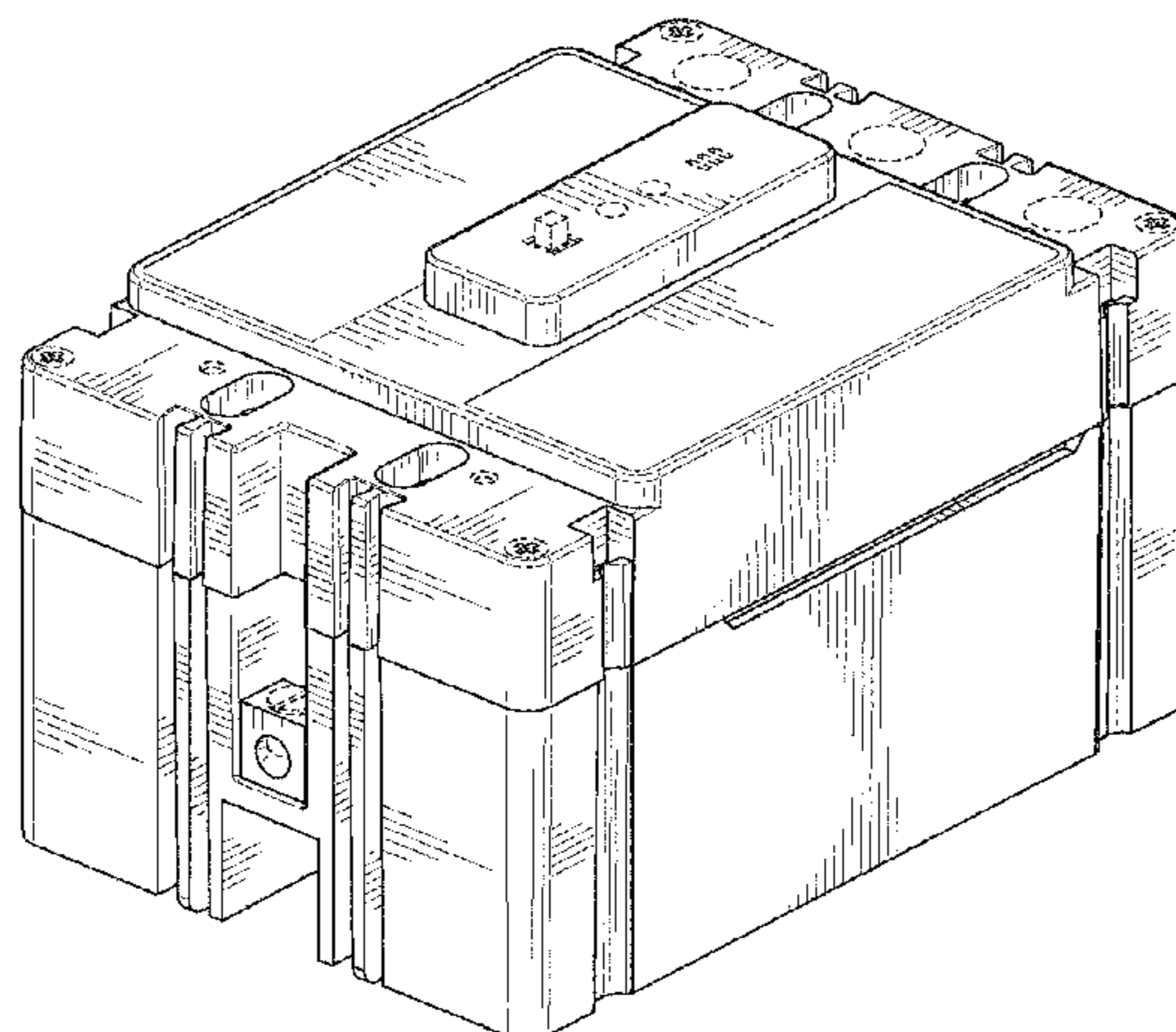
(57) **CLAIM**

The ornamental design for a three phase bus mounted surge  
protection device, as shown and described.

**DESCRIPTION**

FIG. 1 is a front perspective view of the three phase bus  
mounted surge protection device showing our design;  
FIG. 2 is an exploded view thereof;  
FIG. 3 is first side view of the surge protection device;  
FIG. 4 is an opposing side view of FIG. 3;  
FIG. 5 is a second side view thereof;  
FIG. 6 is an opposing side view of FIG. 5;  
FIG. 7 is a top view of the surge protection device;  
FIG. 8 is a bottom view of the surge protection device; and,  
FIG. 9 is an environmental view of the three phase bus  
mounted surge protection device positioned in a circuit  
breaker panel with similarly sized circuit breaker modules.  
The broken lines in the drawings illustrate portions of the  
article that form no part of the claimed design.

**1 Claim, 9 Drawing Sheets**



(58) **Field of Classification Search**

CPC .... 7/14; H05K 7/18; H05K 7/20; H01R 4/26;  
H01R 4/48; H01R 25/00; H01R 9/24

See application file for complete search history.

(56) **References Cited**

U.S. PATENT DOCUMENTS

8,587,240	B2	11/2013	Wolfe	
D798,244	S	9/2017	Lecoanet	
10,141,128	B1 *	11/2018	Zhou .....	H01H 9/181
D842,257	S *	3/2019	Colbaugh .....	D13/160
2006/0071750	A1	4/2006	Marks	
2012/0182664	A1	7/2012	Wan	
2013/0203302	A1	8/2013	Grunwald	
2013/0306454	A1	11/2013	Nickerson	
2015/0349513	A1	12/2015	Kim	
2015/0371790	A1	12/2015	Sippel	
2016/0260560	A1	9/2016	Mishra	
2018/0062285	A1	3/2018	Eberts	
2018/0082799	A1	3/2018	Zhang	
2018/0166241	A1	6/2018	Gottschalk	
2019/0081474	A1 *	3/2019	Colbaugh .....	H02H 9/042
2019/0164711	A1 *	5/2019	Caffro .....	H01B 7/0045

\* cited by examiner

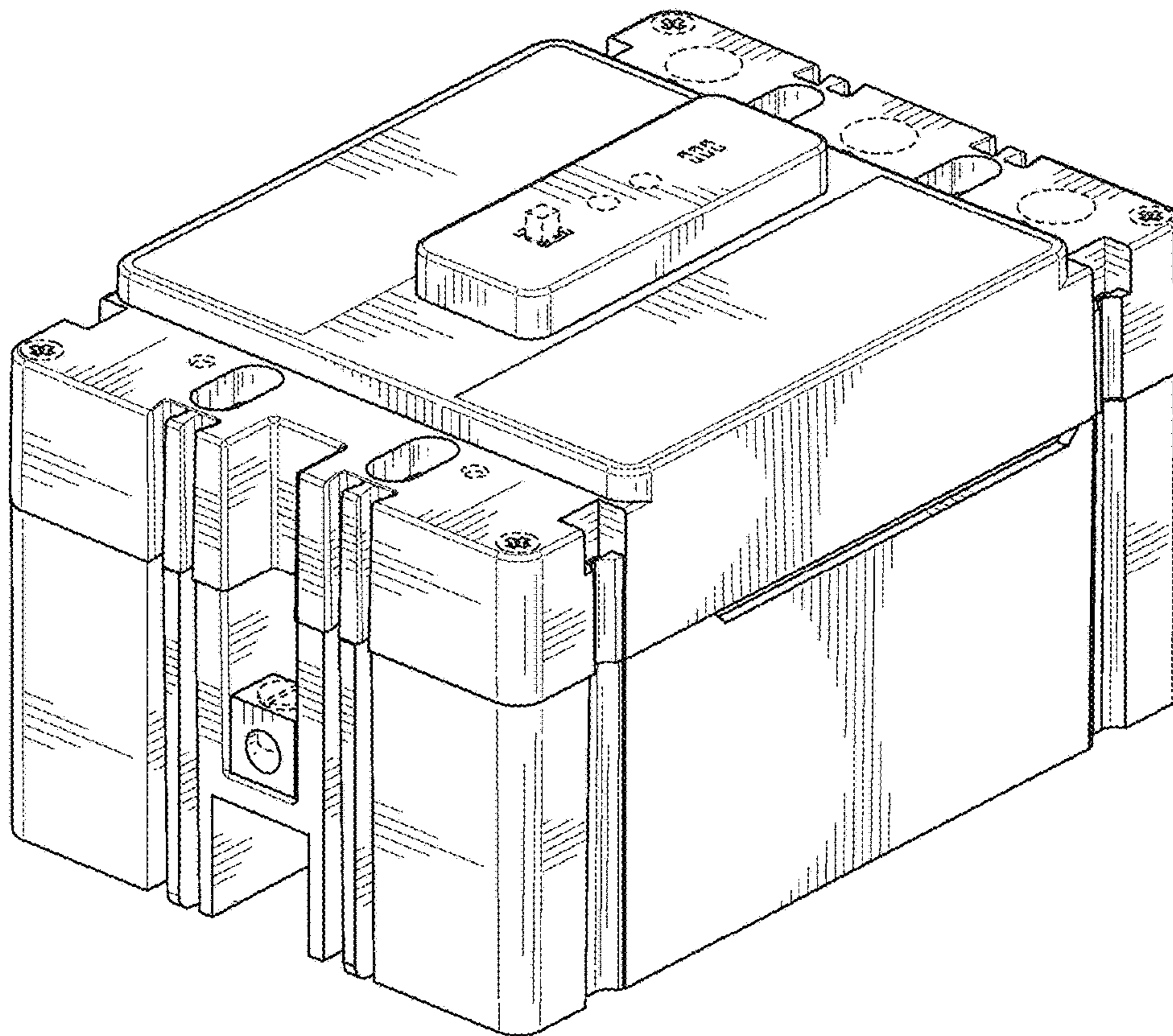
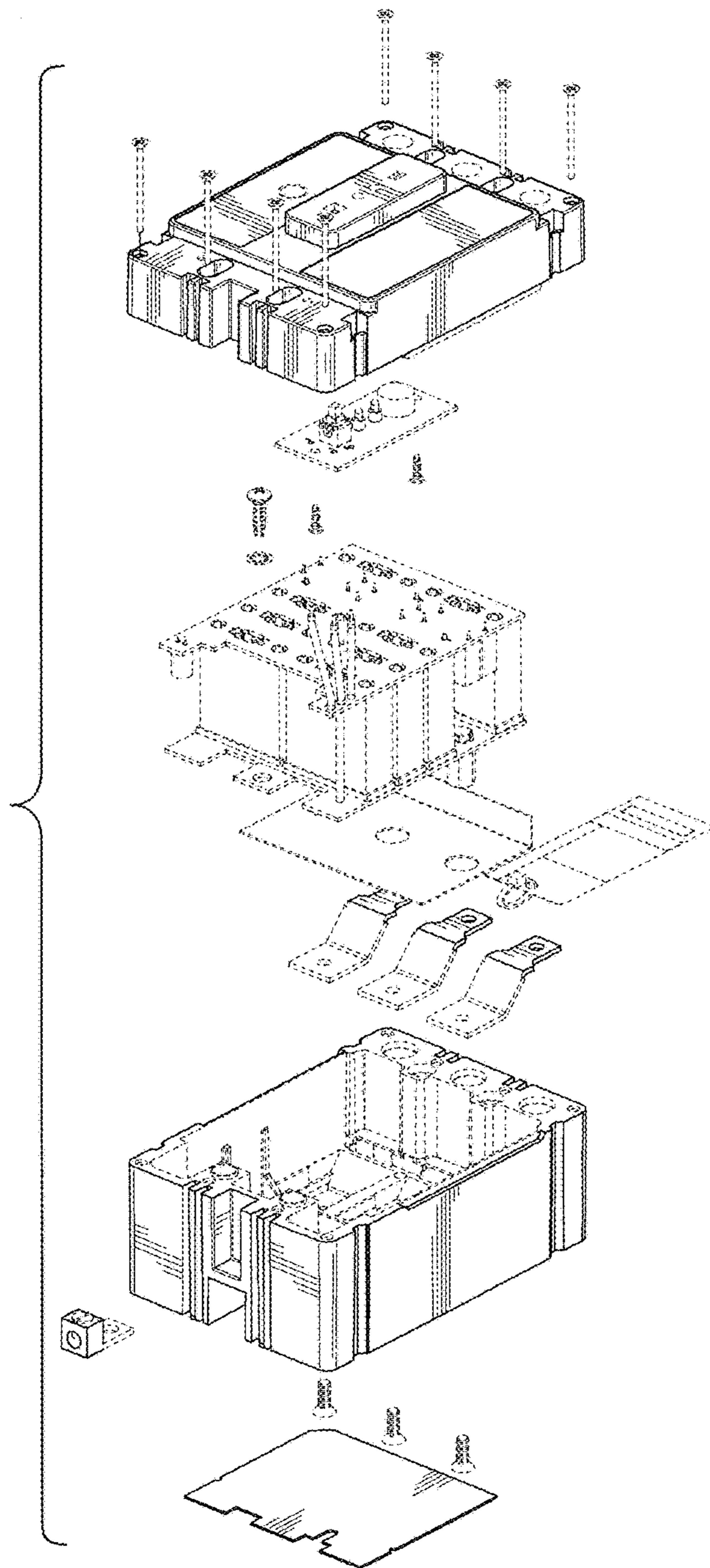


FIG. 1



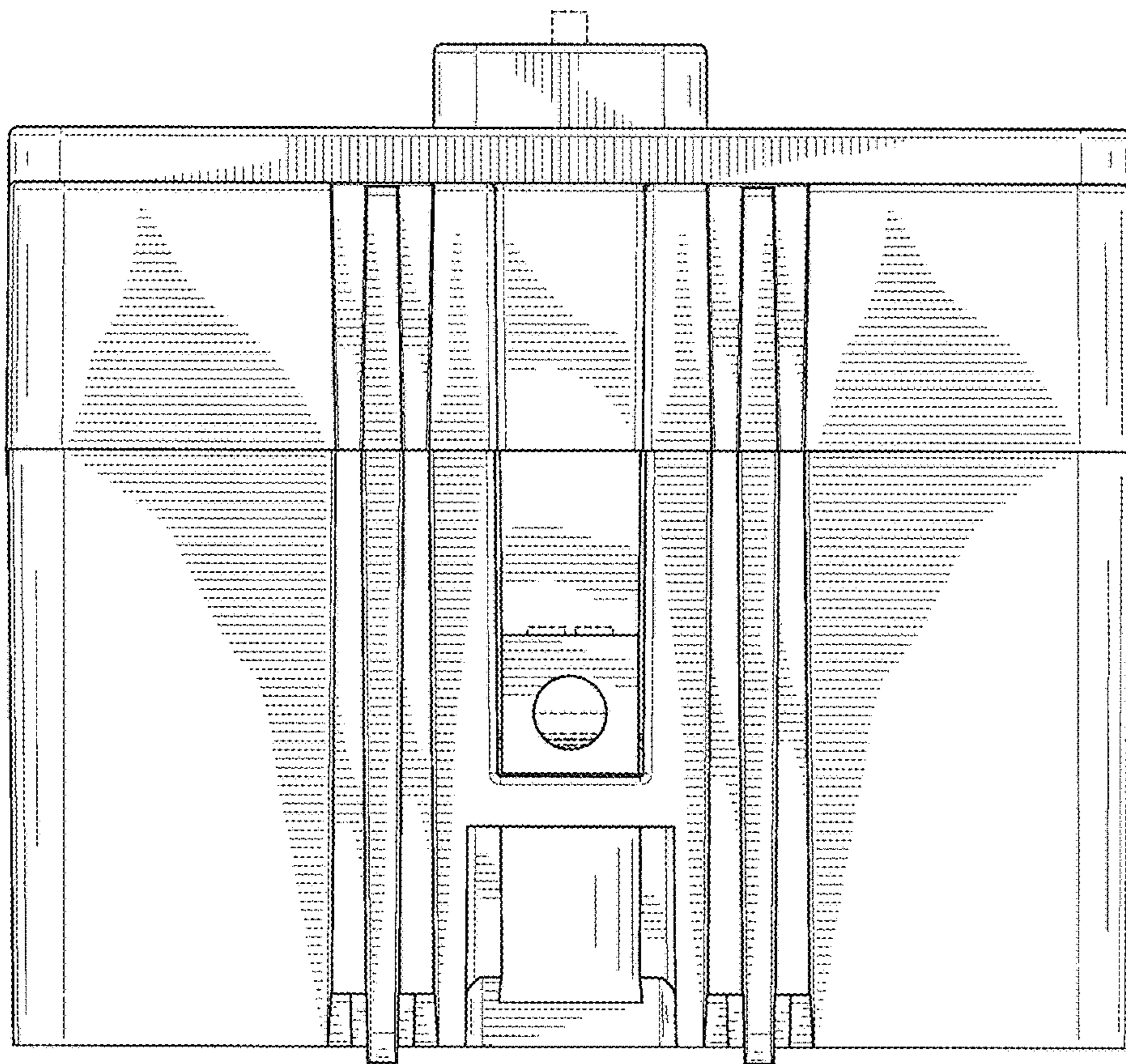


FIG. 3

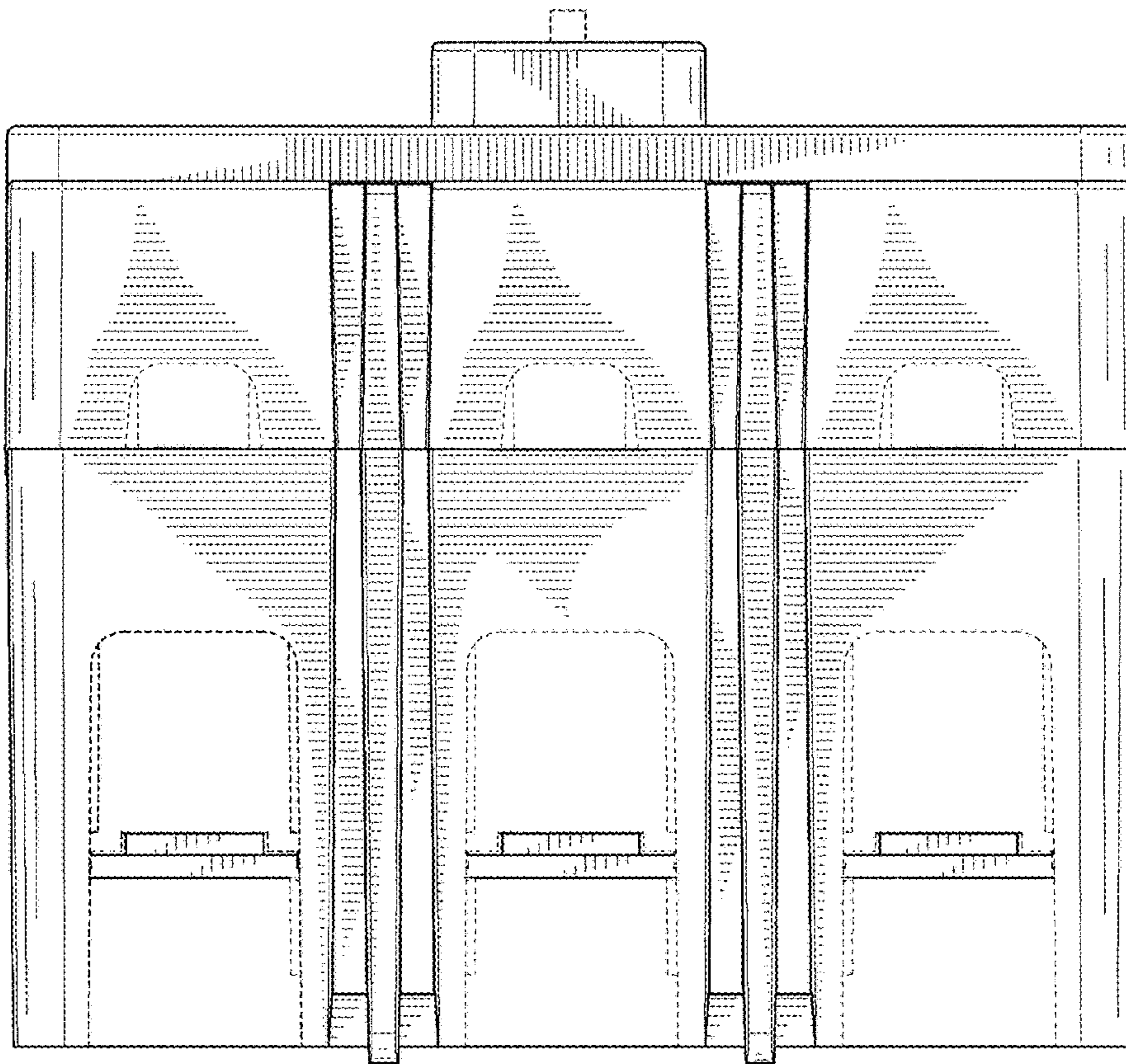


FIG. 4

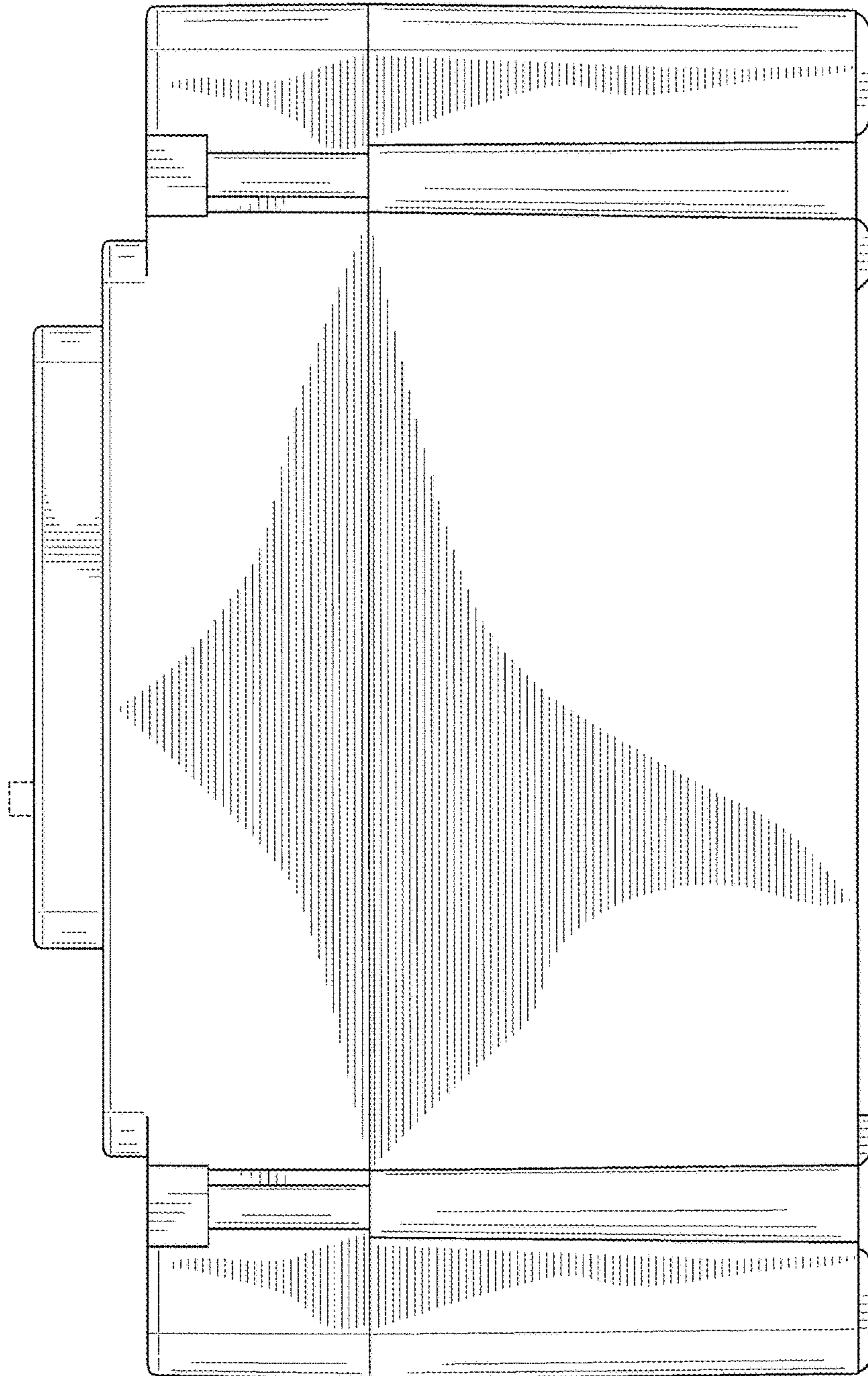


FIG. 5

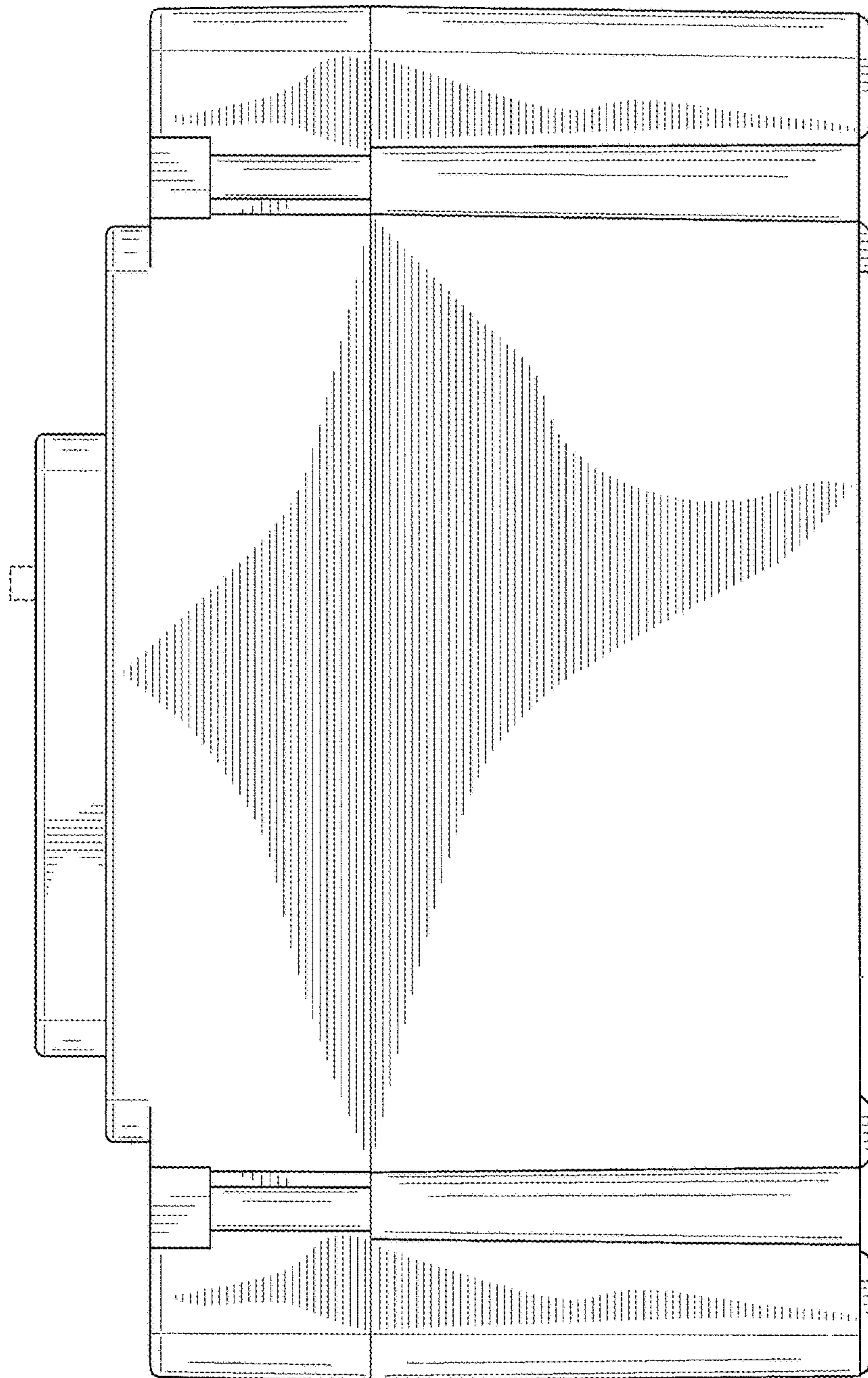


FIG. 6



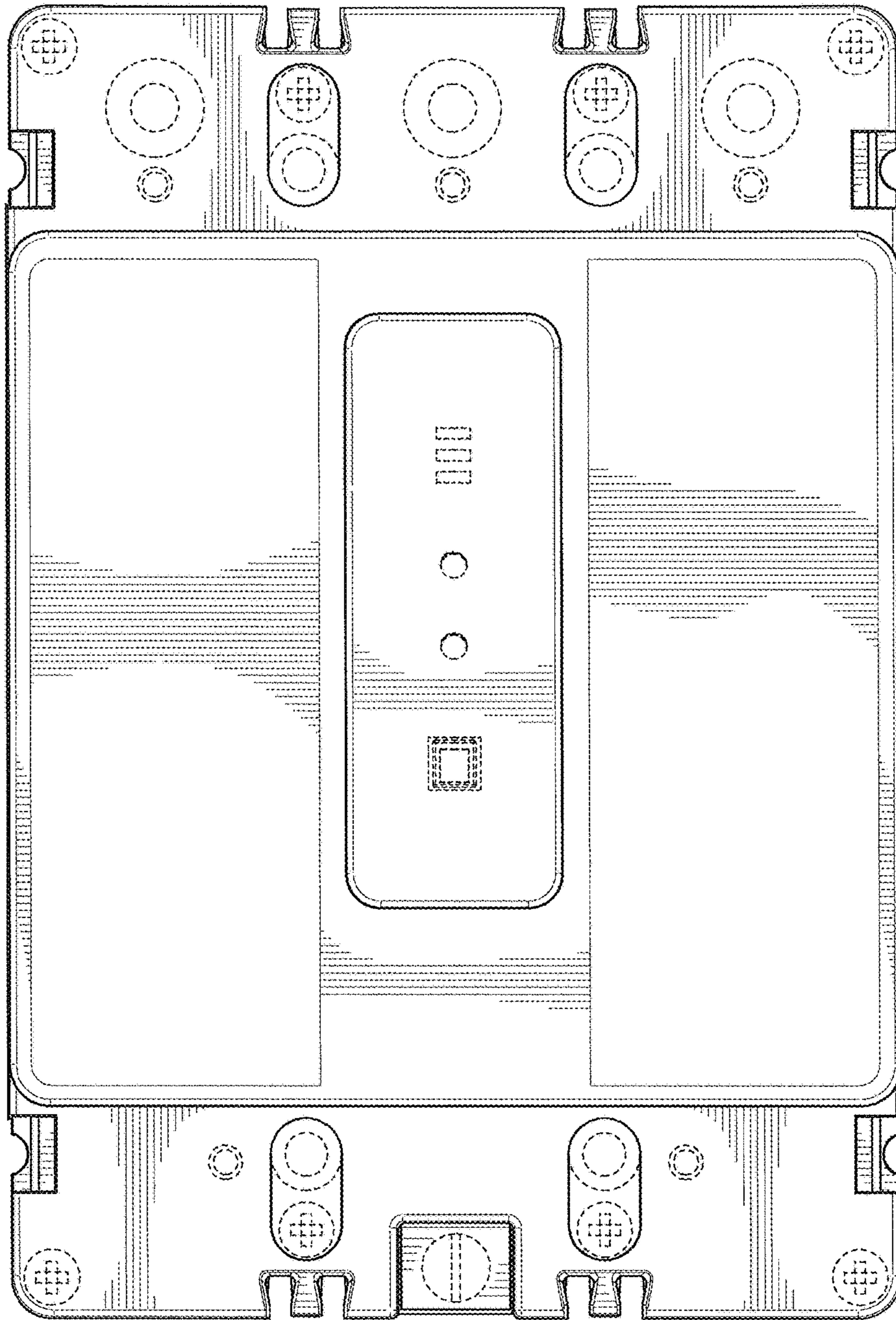


FIG. 7

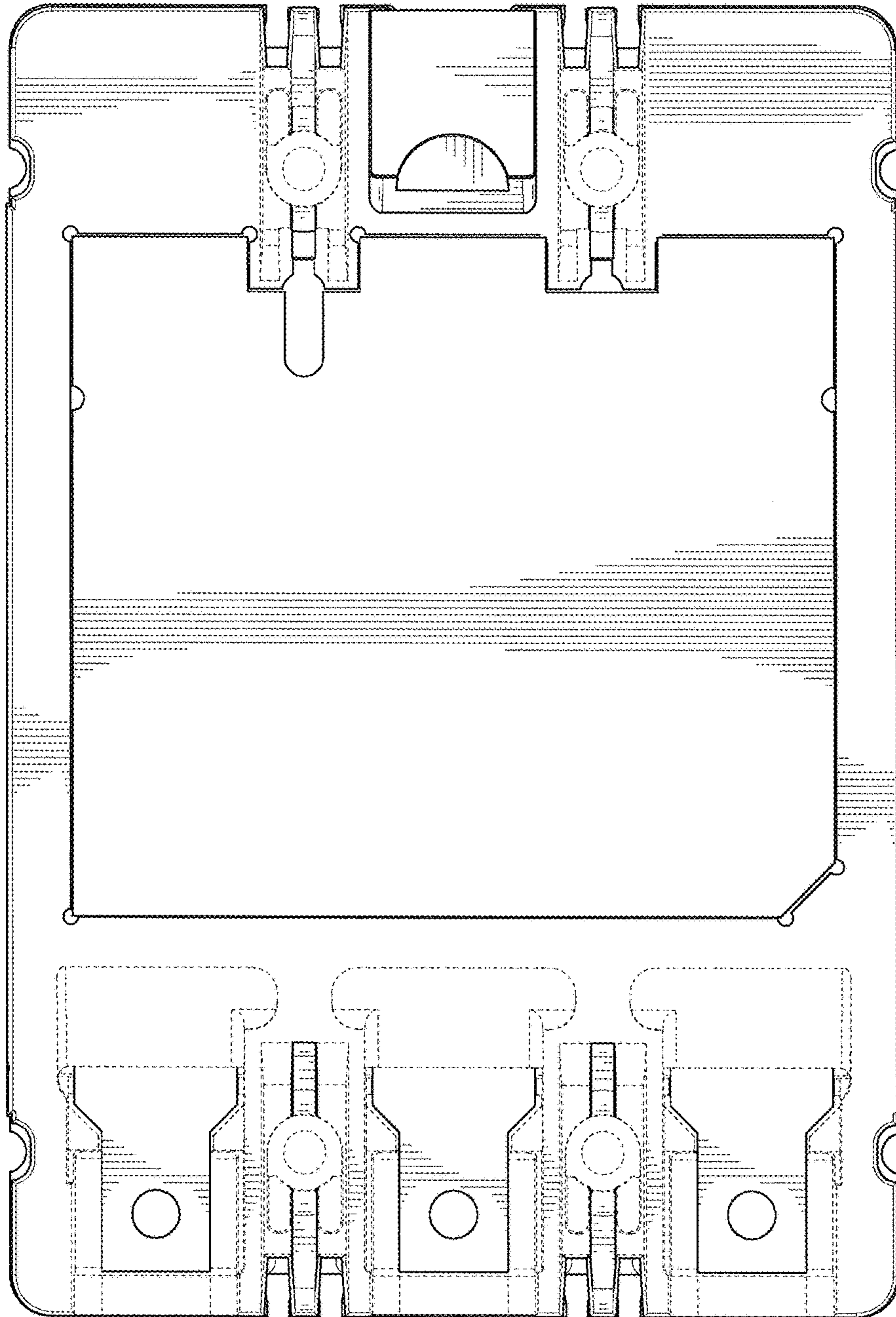


FIG. 8

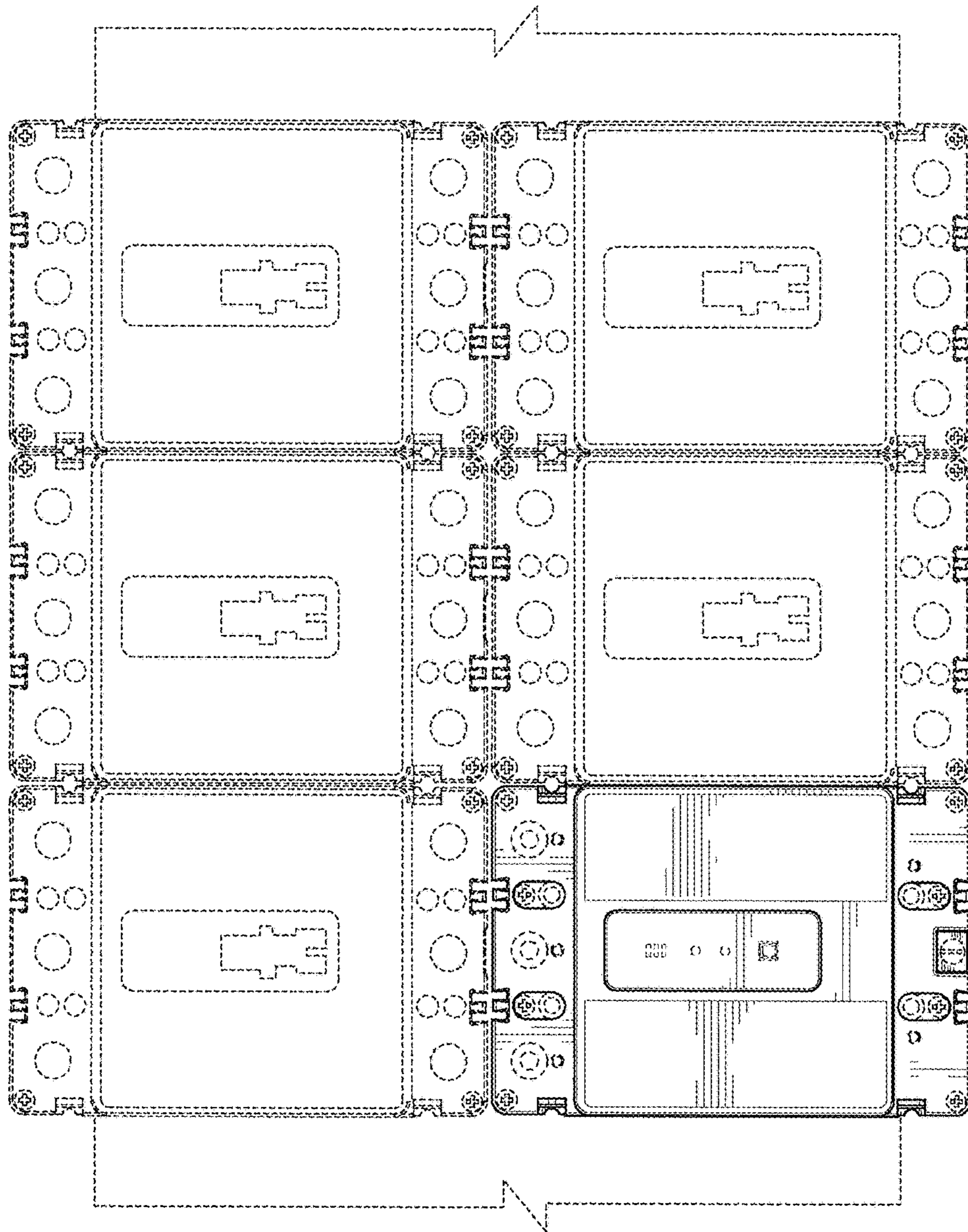


FIG. 9