



US00D864123S

(12) **United States Design Patent** (10) **Patent No.:** **US D864,123 S**  
**Swanson** (45) **Date of Patent:** **\*\* Oct. 22, 2019**

(54) **ELECTRICAL CONNECTION PROTECTOR**

(71) Applicant: **Gregory Ernest Swanson**, Marietta, GA (US)

(72) Inventor: **Gregory Ernest Swanson**, Marietta, GA (US)

(73) Assignee: **Gregory E. Swanson**, Marietta, GA (US)

(\*\*) Term: **15 Years**

(21) Appl. No.: **29/648,811**

(22) Filed: **May 24, 2018**

(51) **LOC (12) Cl.** ..... **13-03**

(52) **U.S. Cl.**  
USPC ..... **D13/155**

(58) **Field of Classification Search**  
USPC ..... D13/133, 146, 147, 151, 153, 154, 155, D13/156; D3/208; D8/349, 382, 383, D8/394, 396  
CPC .... B65H 75/36; H01R 13/5845; H01R 13/72; H01R 31/06; H01R 11/00; H04M 1/15; F16G 11/14; D06F 55/00; H02M 2001/0009; F02C 7/28; H02G 15/113  
See application file for complete search history.

(56) **References Cited**

**U.S. PATENT DOCUMENTS**

2,839,320 A \* 6/1958 Hill ..... E04G 7/02  
135/909  
D355,589 S \* 2/1995 Kuwata ..... D8/382

D384,988 S \* 10/1997 Schmidt ..... 446/126  
D476,880 S \* 7/2003 Segall ..... D8/382  
D592,492 S \* 5/2009 Werschmidt ..... D8/382  
D606,387 S \* 12/2009 Werschmidt ..... D8/382  
D763,067 S \* 8/2016 Monsees ..... D8/382  
D783,390 S \* 4/2017 Nelson ..... D8/349  
D827,422 S \* 9/2018 Kundig ..... D8/382  
D834,920 S \* 12/2018 Macdonald ..... D8/349  
2017/0361143 A1 \* 12/2017 Mehr ..... A63B 5/11

\* cited by examiner

*Primary Examiner* — Jennifer Rivard

*Assistant Examiner* — Alison M Ofstun

(74) *Attorney, Agent, or Firm* — Steven D. Kerr; Womble Bond Dickinson

(57) **CLAIM**

The ornamental design for an electrical connection protector, as shown and described.

**DESCRIPTION**

FIG. 1 is a left front perspective view of an electrical connection protector showing my new design.  
FIG. 2 is a front elevational view thereof.  
FIG. 3 is a rear elevational view thereof.  
FIG. 4 is a top plan view thereof, the bottom plan view being a mirror image of the top plan view; and,  
FIG. 5 is a right side elevational view thereof, the left side elevational view being a mirror image of the right side elevational view.  
The broken lines in the figures represent portions of the article which form no part of the claimed design.

**1 Claim, 2 Drawing Sheets**

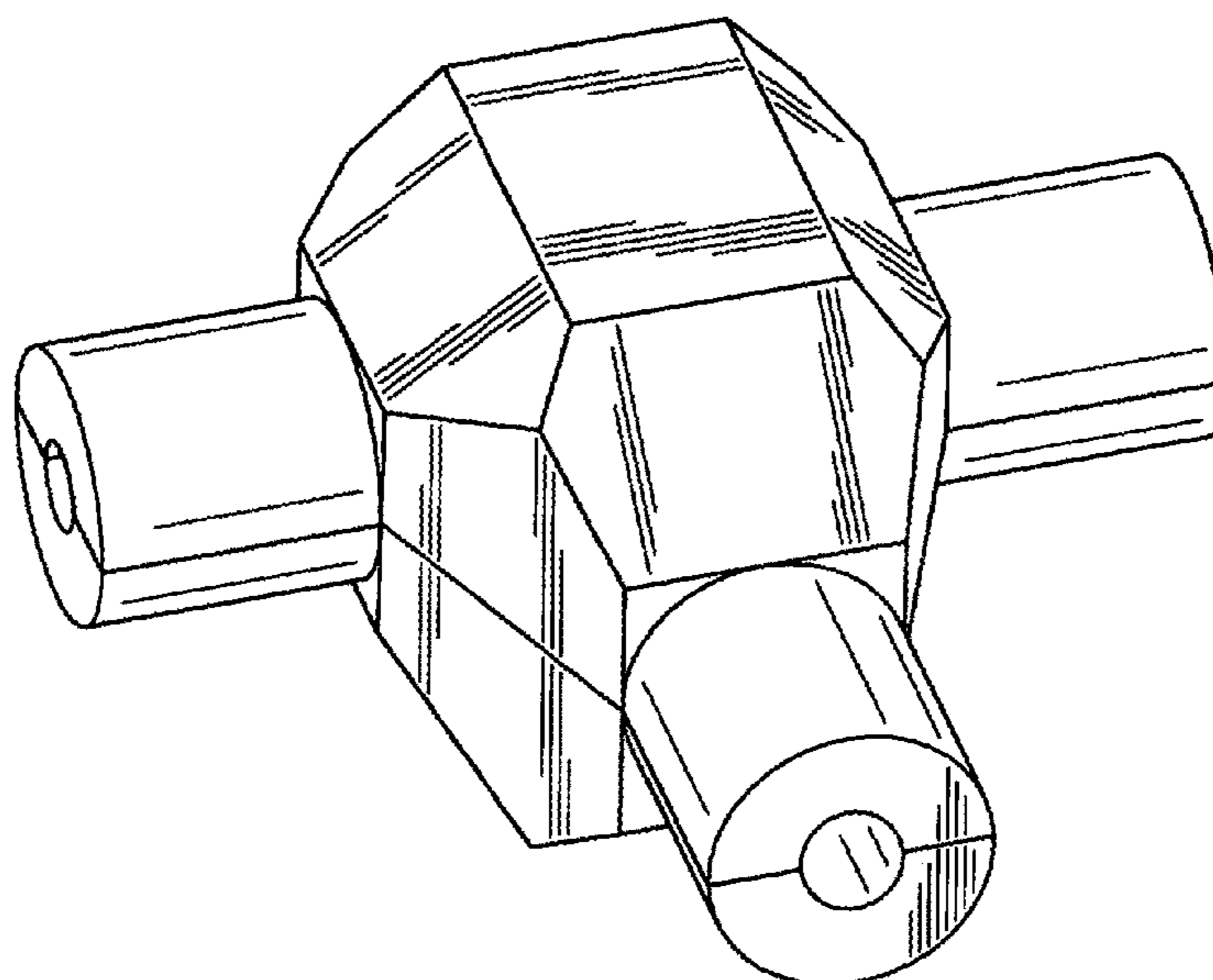


FIG. 1

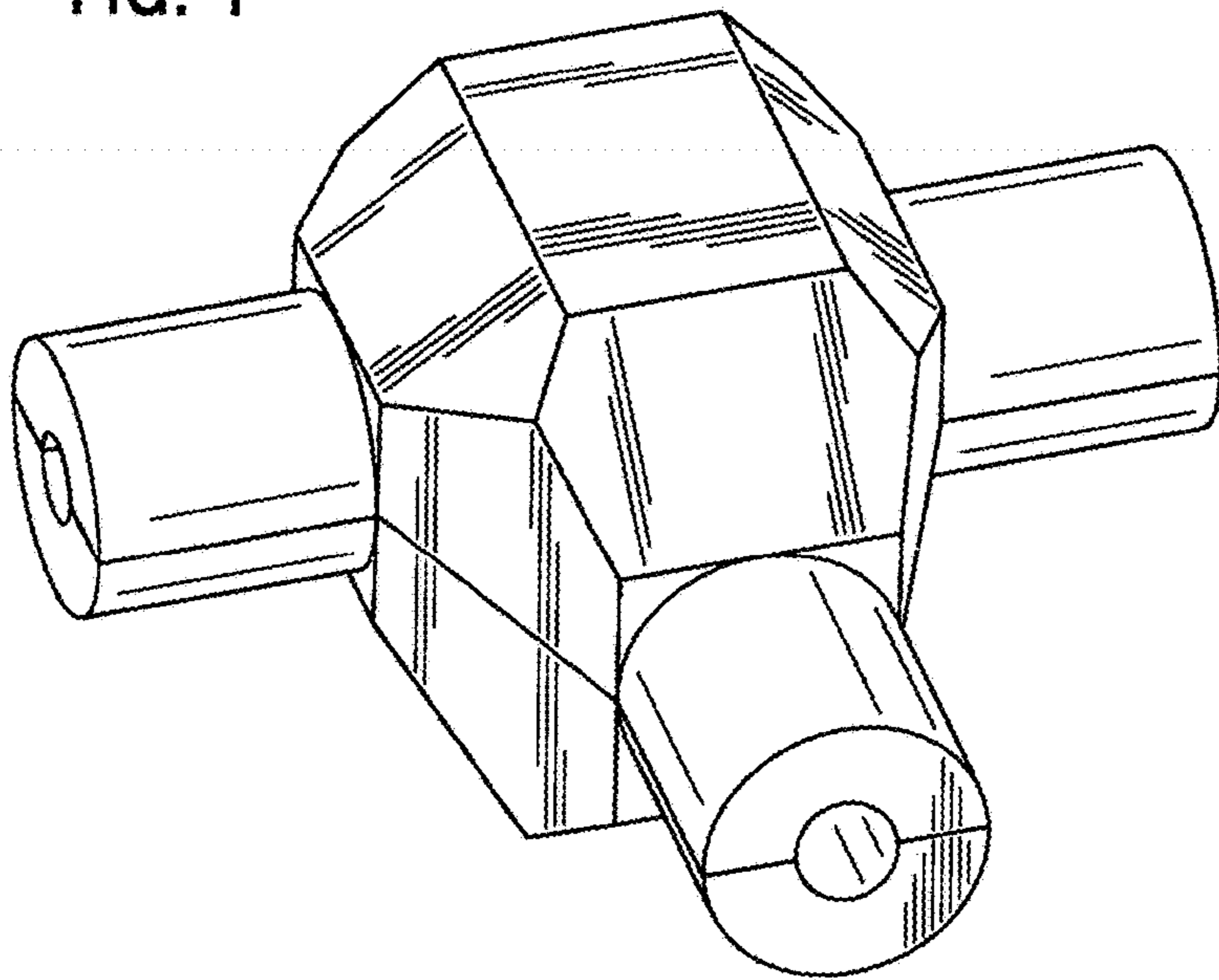


FIG. 2

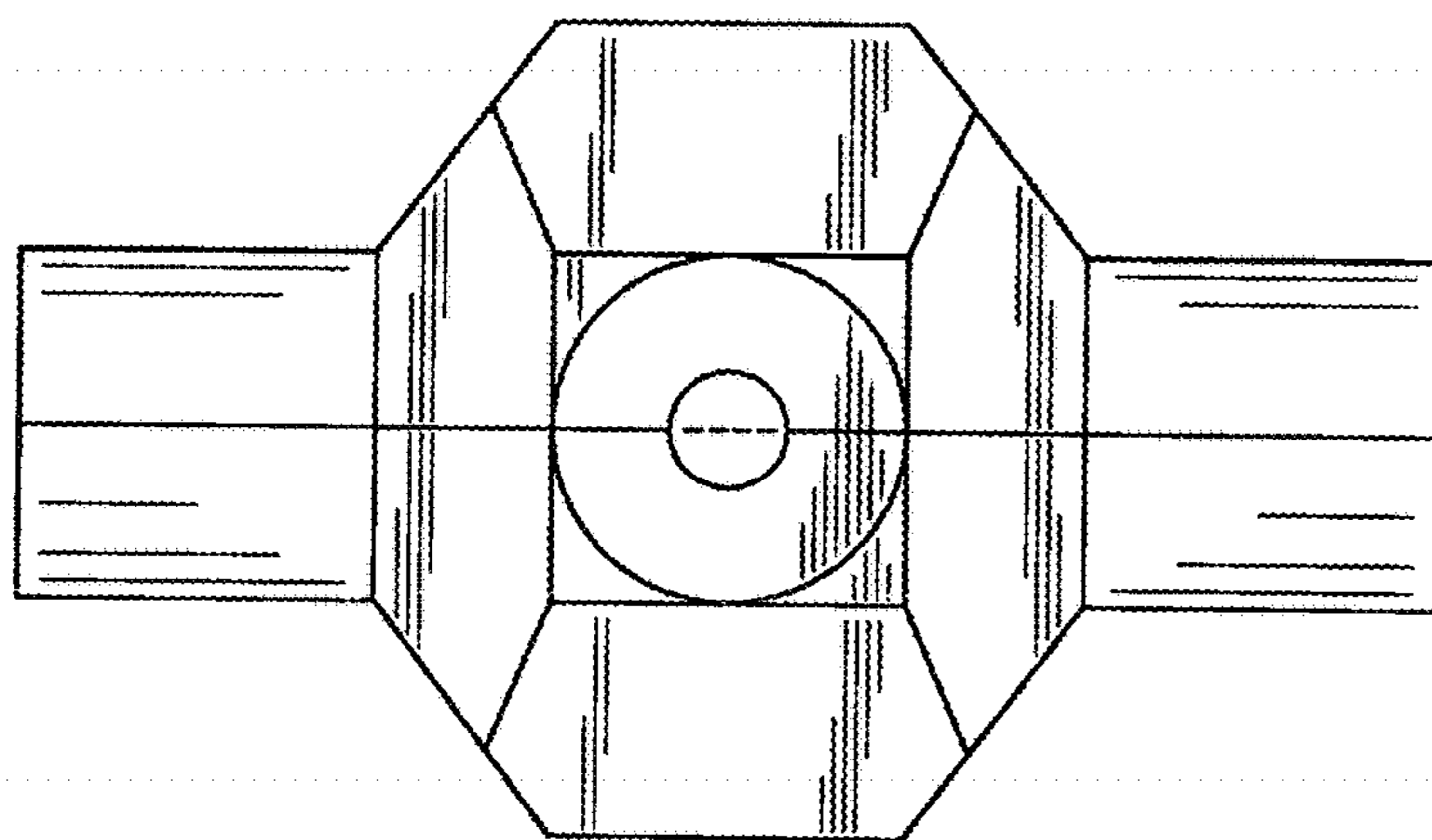


FIG. 3

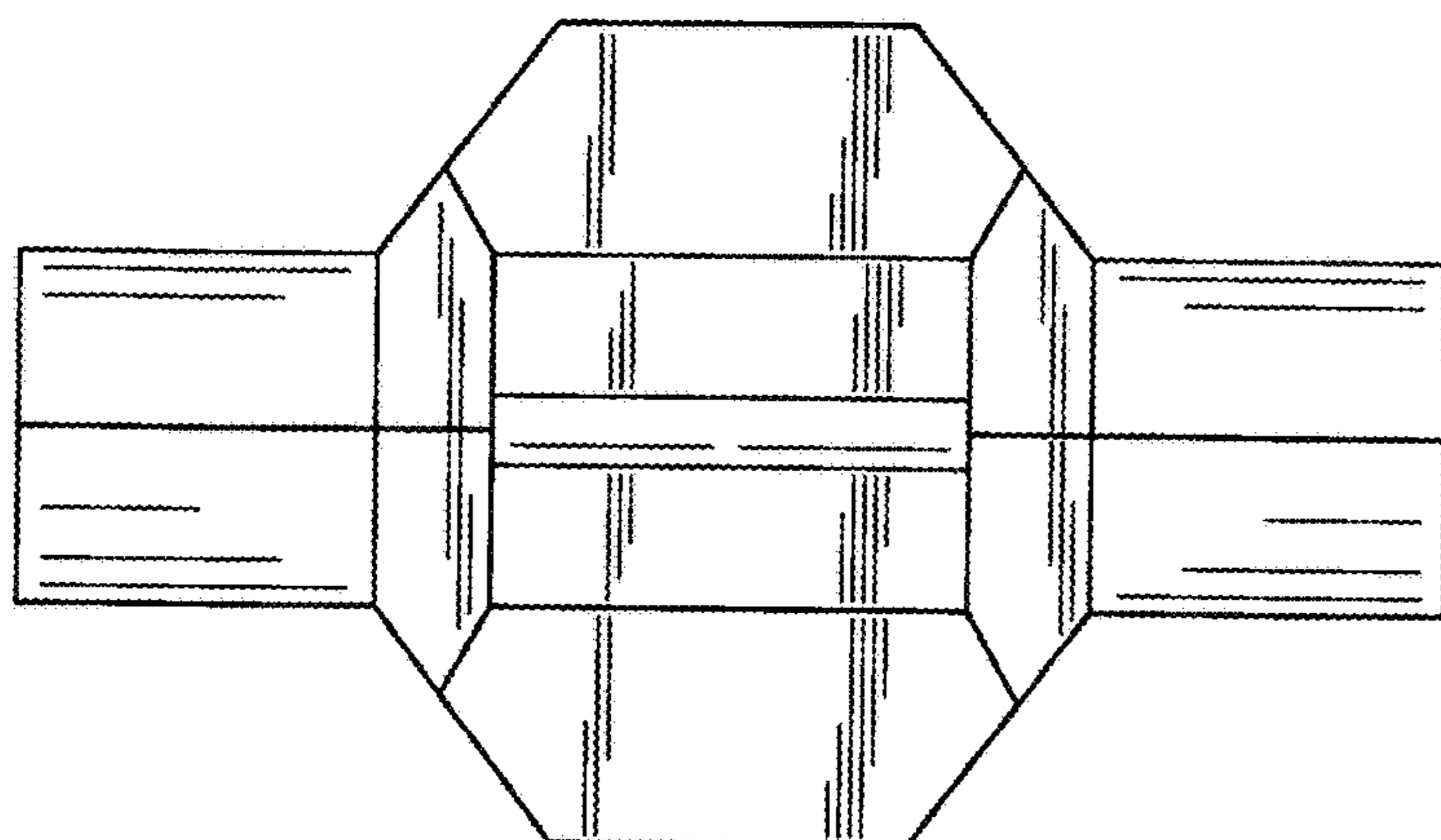


FIG. 4

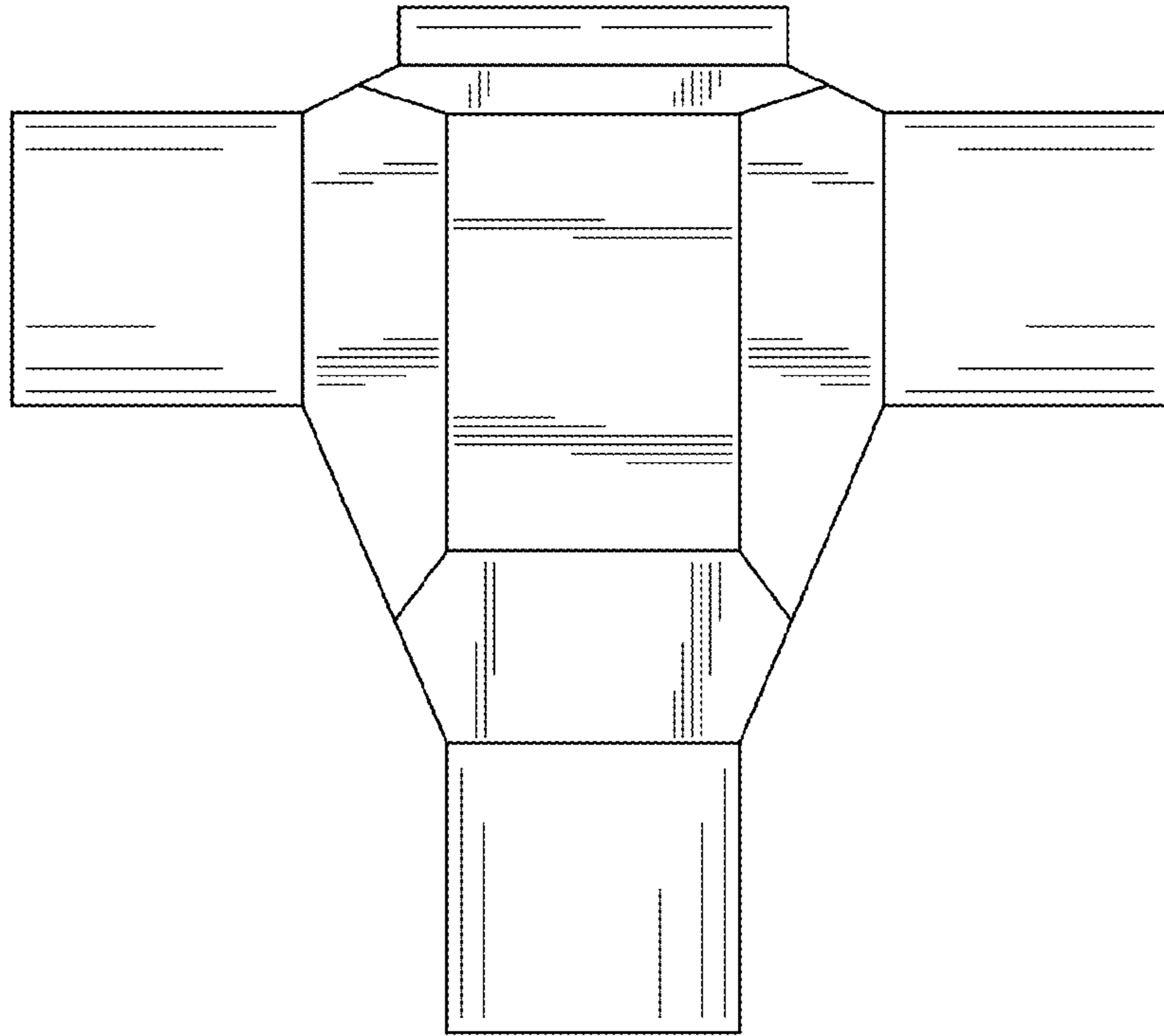


FIG. 5

