



US00D864122S

(12) **United States Design Patent** (10) **Patent No.:** **US D864,122 S**  
**Ruddick** (45) **Date of Patent:** **\*\* Oct. 22, 2019**

(54) **CABLE COVER**

(71) Applicant: **D-Line (Europe) Limited**, Tyne and Wear (GB)

(72) Inventor: **Paul Ruddick**, Tyne and Wear (GB)

(73) Assignee: **D-Line (Europe) Limited**, Tyne and Wear (GB)

(\*\*) Term: **15 Years**

(21) Appl. No.: **29/577,814**

(22) Filed: **Sep. 15, 2016**

(30) **Foreign Application Priority Data**

Mar. 15, 2016 (EM) ..... 003029594-0002

(51) **LOC (12) Cl.** ..... **13-03**

(52) **U.S. Cl.**  
USPC ..... **D13/155**

(58) **Field of Classification Search**  
USPC ..... D13/110, 123, 133, 137.1, 139.1, 139.4,  
D13/152, 154, 155, 156, 158, 162, 164,  
D13/173, 177, 184; D8/349-351, 353,  
D8/356, 382, 394, 396; 439/147-149,  
439/373, 391, 535, 536, 538; D25/119,  
D25/122

CPC ..... F16B 12/24; F16B 13/126; F16B 5/0275;  
F16B 7/0446

See application file for complete search history.

(56) **References Cited**

**U.S. PATENT DOCUMENTS**

4,104,830 A \* 8/1978 Eagle ..... E06B 1/70  
49/468  
D317,521 S \* 6/1991 Fasth ..... D25/122  
D340,534 S \* 10/1993 McConnell ..... D25/119

D349,738 S \* 8/1994 Naegele, III ..... D21/706  
D563,568 S \* 3/2008 Dunlap ..... D25/119  
D592,938 S \* 5/2009 Pae ..... D8/356  
D596,929 S \* 7/2009 Lawrence ..... D8/356  
D626,515 S \* 11/2010 Winer ..... D13/155  
D630,167 S \* 1/2011 Donowho ..... D13/155  
D734,274 S \* 7/2015 Callahan ..... D13/155  
D765,603 S \* 9/2016 Baldwin ..... D13/155  
D772,435 S \* 11/2016 Bonuccelli ..... D25/122  
D799,941 S \* 10/2017 Rothenberg ..... D8/356  
2007/0137878 A1 6/2007 Henry  
2009/0020305 A1 1/2009 Fidler

**FOREIGN PATENT DOCUMENTS**

GB 2418299 A 3/2006  
WO 2006032513 A1 3/2006

\* cited by examiner

*Primary Examiner* — Derrick E Holland

*Assistant Examiner* — Jennifer O King

(74) *Attorney, Agent, or Firm* — Sterne, Kessler,  
Goldstein & Fox, P.L.L.C.

(57) **CLAIM**

The ornamental design for a cable cover, as shown and described.

**DESCRIPTION**

FIG. 1 is a top front perspective view of a cable cover showing the claimed design;

FIG. 2 is a front view thereof;

FIG. 3 is a rear view thereof;

FIG. 4 is a left side view thereof;

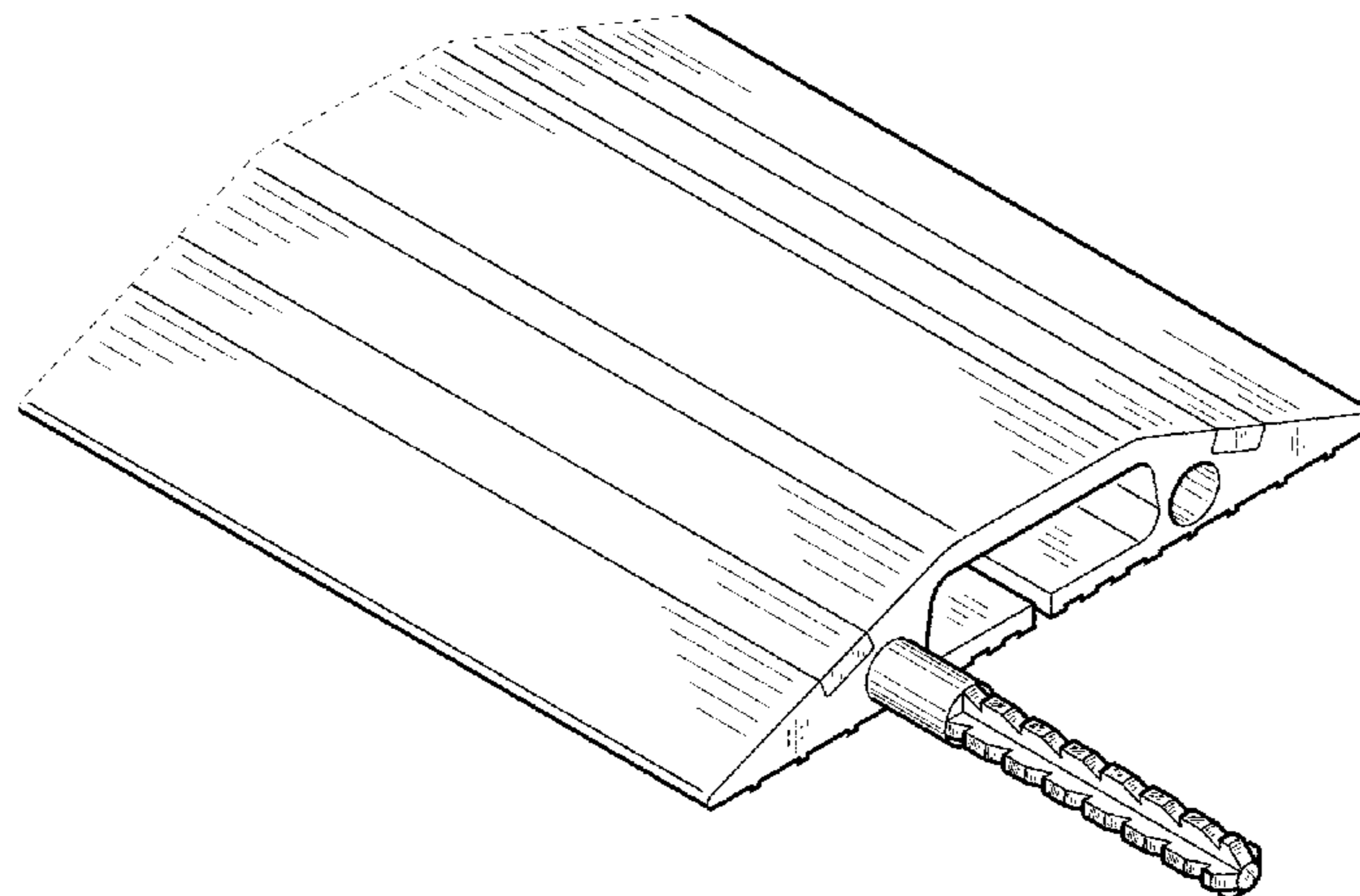
FIG. 5 is a right side view thereof;

FIG. 6 is a top view thereof; and,

FIG. 7 is a bottom view thereof.

The broken lines in the figures show portions of the cable cover that form no part of the claimed design.

**1 Claim, 5 Drawing Sheets**



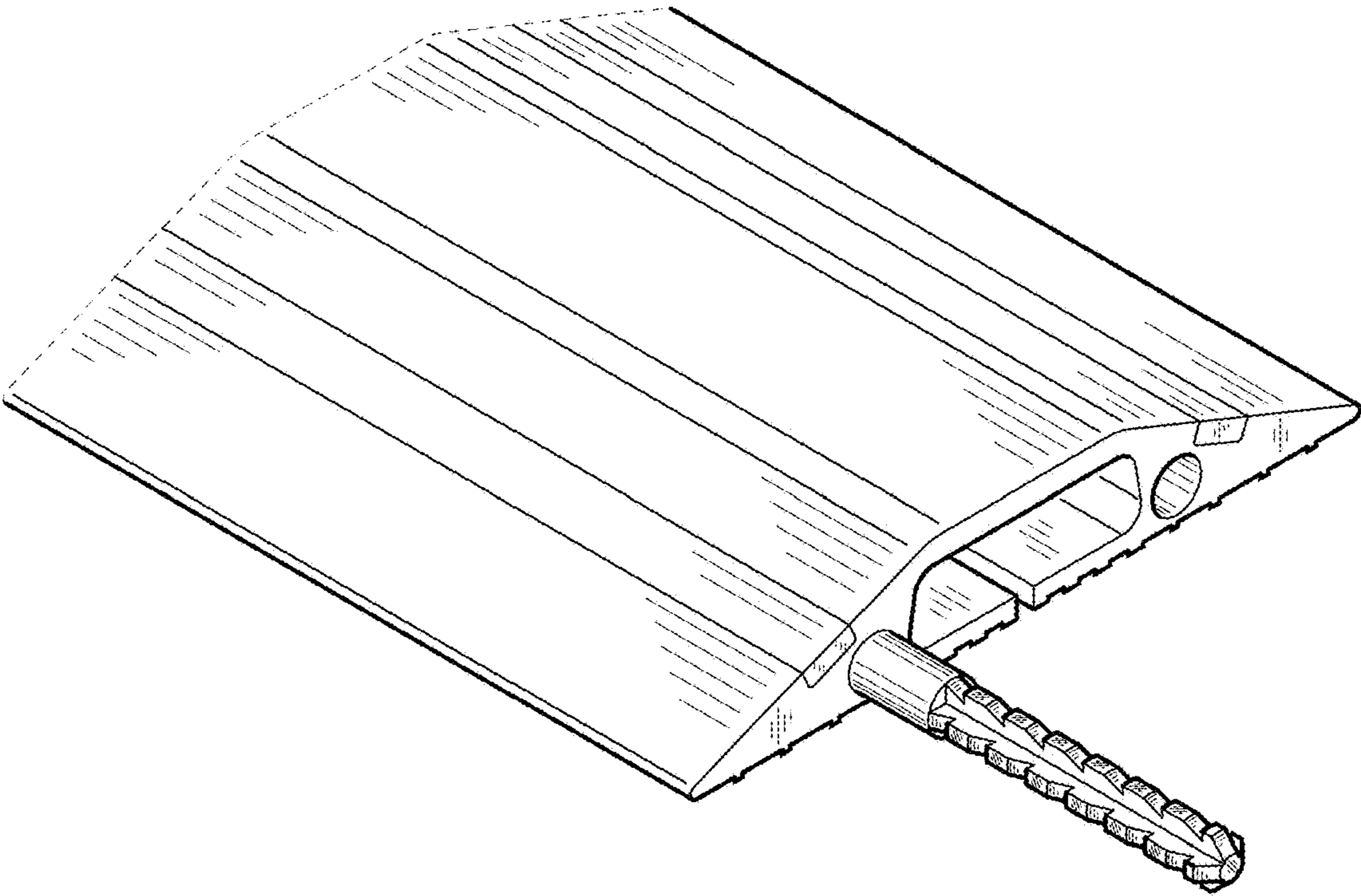


FIG. 1



FIG. 2

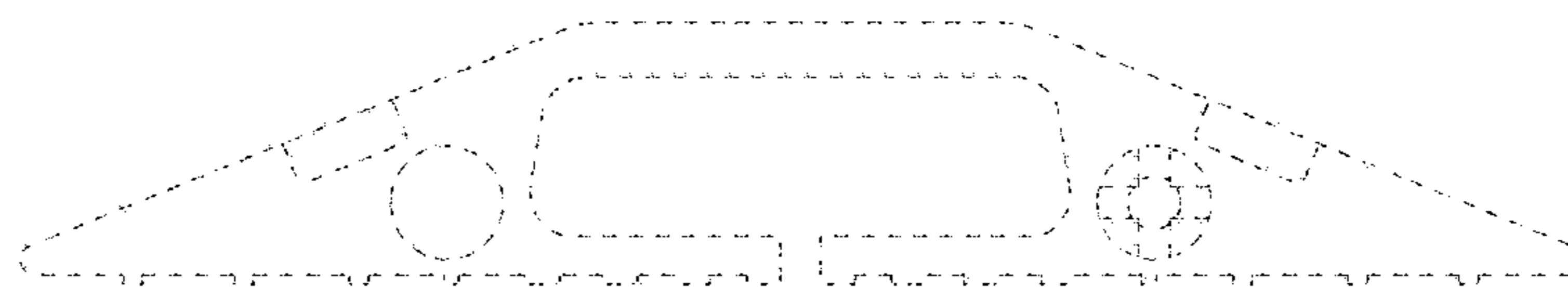


FIG. 3

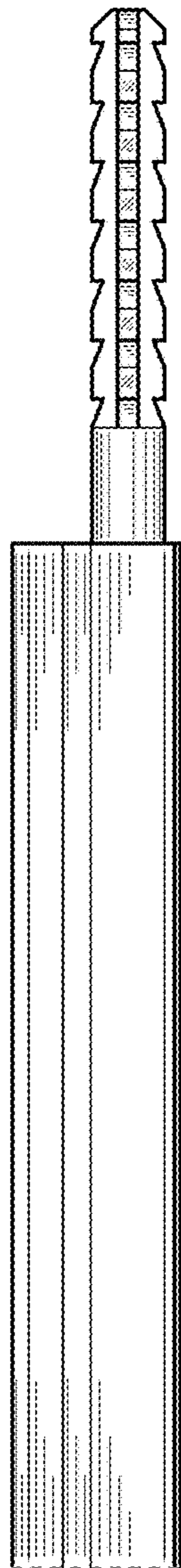


FIG. 4

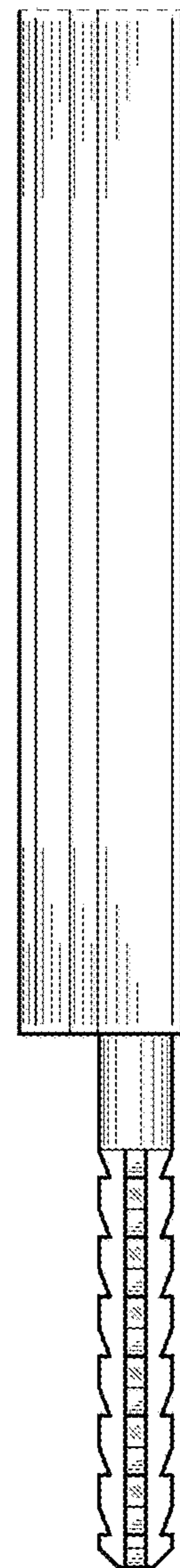


FIG. 5

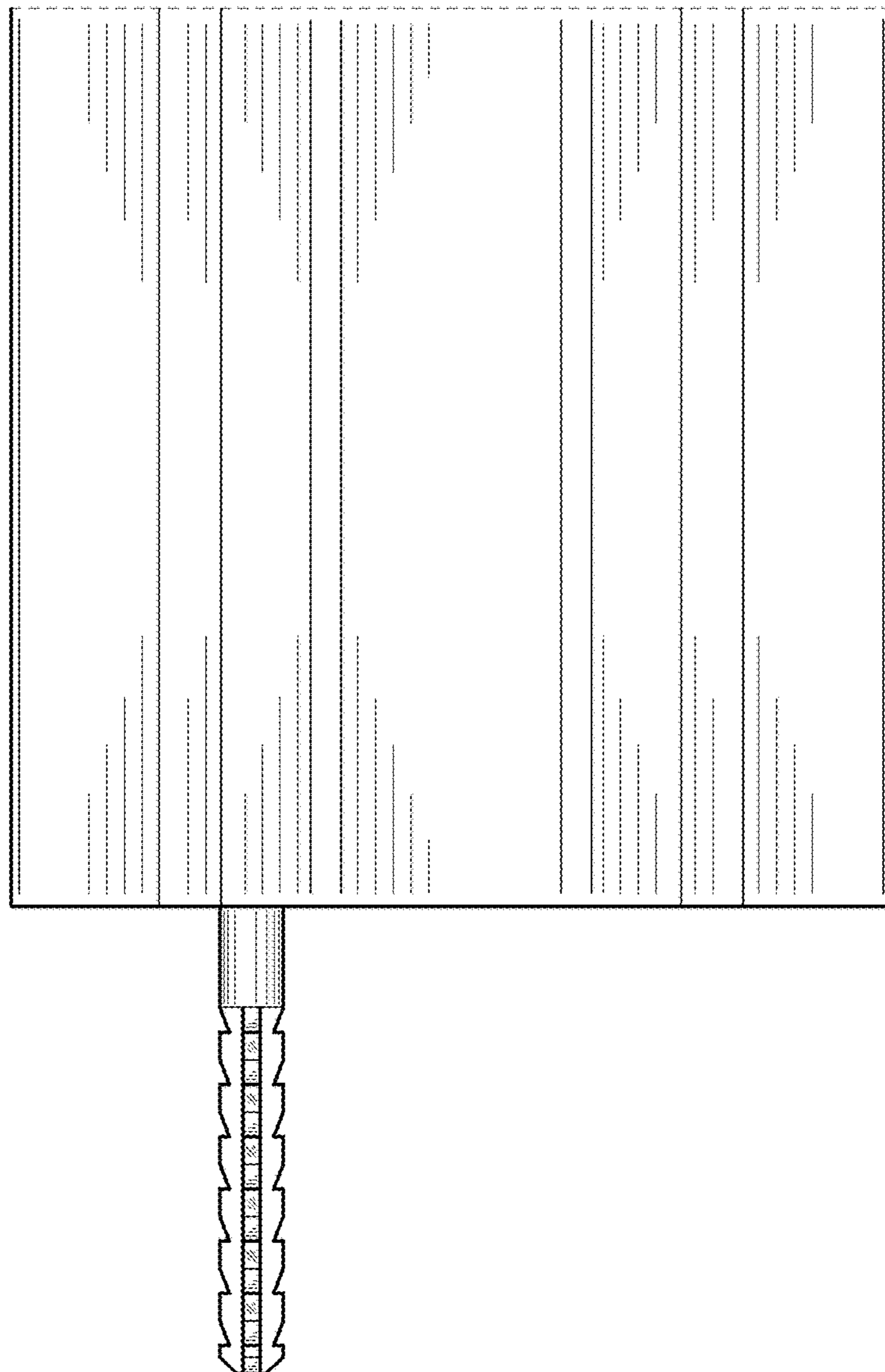


FIG. 6

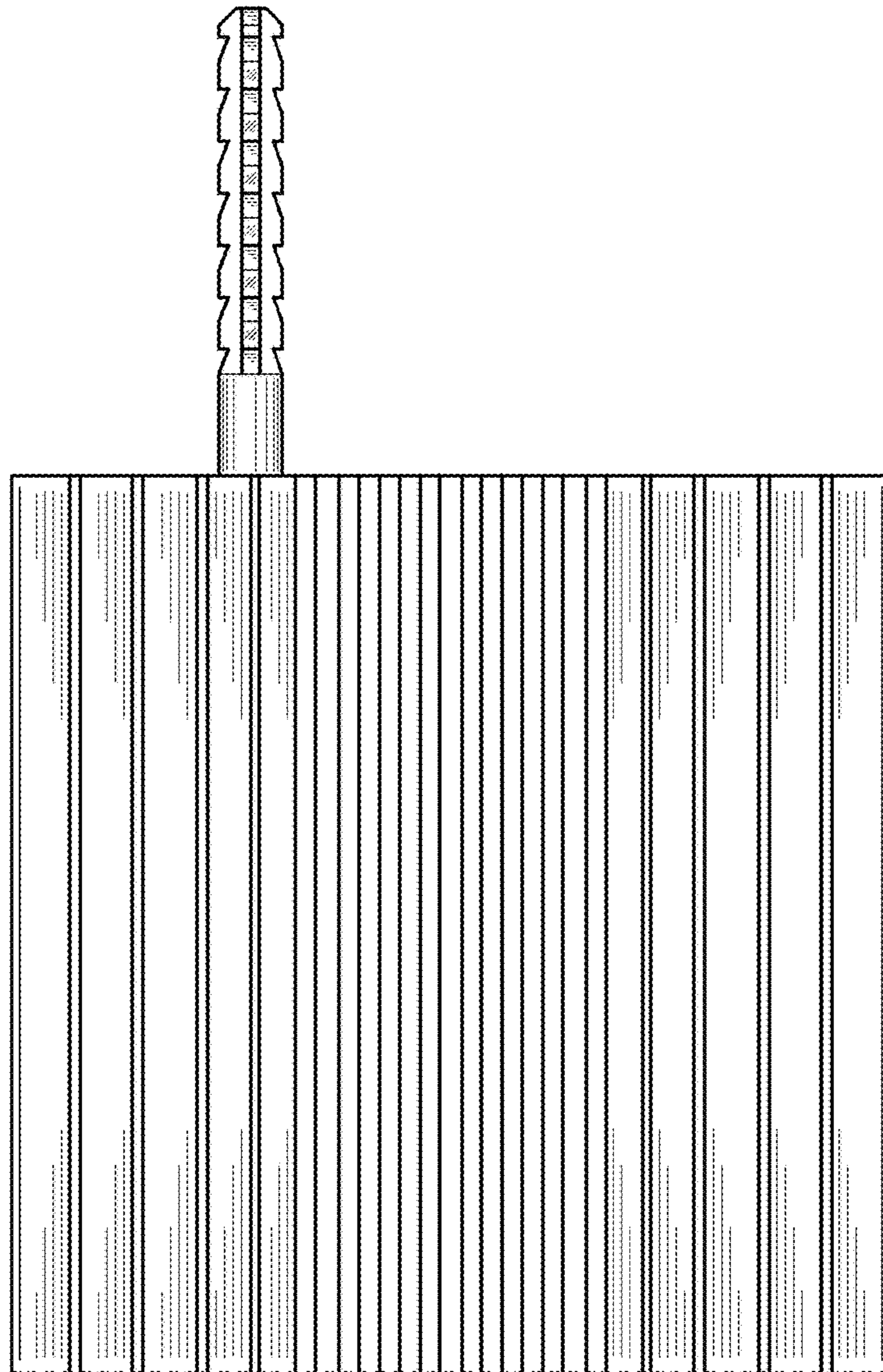


FIG. 7