



US00D864120S

(12) **United States Design Patent**
Forrest et al.

(10) **Patent No.:** **US D864,120 S**
(45) **Date of Patent:** **** Oct. 22, 2019**

(54) **CONNECTOR**

(71) Applicant: **MASIMO CORPORATION**, Irvine, CA (US)

(72) Inventors: **Kevin Forrest**, Rancho Santa Margarita, CA (US); **Ammar Al-Ali**, San Juan Capistrano, CA (US); **Yassir Kamel Abdul-Hafiz**, Irvine, CA (US)

(73) Assignee: **Masimo Corporation**, Irvine, CA (US)

(**) Term: **15 Years**

(21) Appl. No.: **29/614,042**

(22) Filed: **Aug. 15, 2017**

(51) **LOC (12) Cl.** **13-03**

(52) **U.S. Cl.**
USPC **D13/147**

(58) **Field of Classification Search**
USPC D13/107, 110, 118, 120, 123, 133, 146, D13/147, 154, 173, 184, 199; D14/432, D14/433; D24/127, 129, 186
CPC A61B 5/042; A61B 5/05; A61B 5/145; A61B 6/00; H01R 11/00; H01R 13/44; H01R 13/443; H01R 13/5213; H01R 13/658; H01R 13/6581; H01R 13/71; H01R 24/00; H04R 25/02; H05K 9/10; H05K 9/00

See application file for complete search history.

(56) **References Cited**

U.S. PATENT DOCUMENTS

D244,297 S * 5/1977 Stropkay D13/138.1
D485,239 S * 1/2004 Whalin D13/137.4
(Continued)

OTHER PUBLICATIONS

RD Set MP—05, Code 4083, dated Apr. 14, 2017, [online], [site visited May 22, 2019]. Available from Internet, URL: <https://www.promedtech.co.nz/shop/masimo/masimo-cables/cables-rd-set/rd-set-mp-05-code-4083/> (Year: 2017).*

(Continued)

Primary Examiner — Angela J Lee
Assistant Examiner — Shawn T Gingrich

(74) *Attorney, Agent, or Firm* — Knobbe, Martens, Olson & Bear, LLP

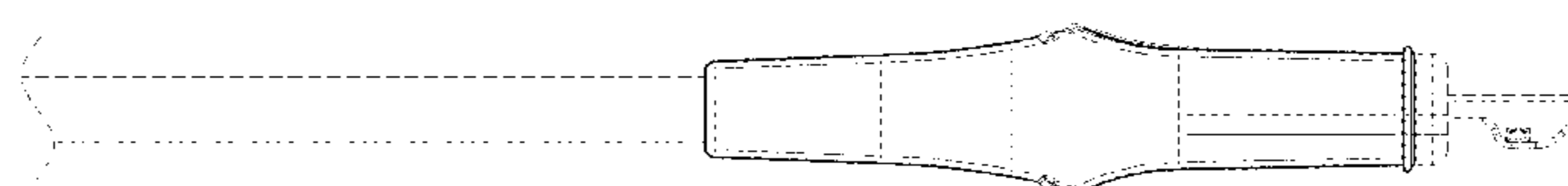
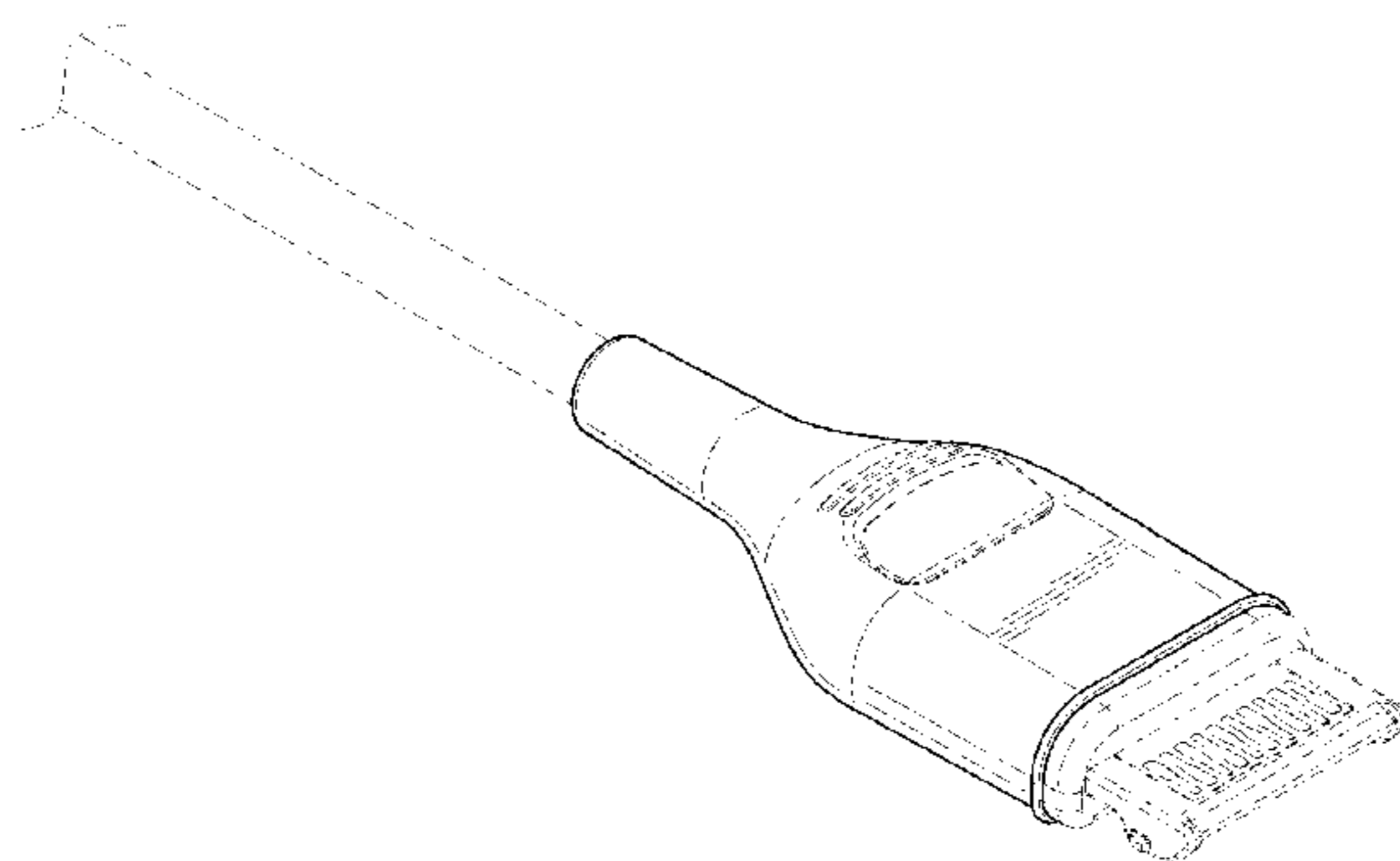
(57) **CLAIM**

The ornamental design for a connector, as shown and described.

DESCRIPTION

FIG. 1 is a top and side perspective view of a connector embodying our new design;
FIG. 2 is a bottom and side perspective view thereof;
FIG. 3 is a top view thereof;
FIG. 4 is a bottom view thereof;
FIG. 5 is a first side view thereof;
FIG. 6 is a second side view thereof;
FIG. 7 is a front view thereof;
FIG. 8 is a back view thereof;
FIG. 9 is another top and side perspective view thereof; and, FIG. 10 is another bottom and side perspective view thereof. Broken lines are used to illustrate portions of the connector or environmental subject matter that form no part of the claimed design. The dot-dash-dot and/or the group of lines in a diagonal shape form the bounds of the claimed design and are not part of the claimed design.
The U.S. design patent application Ser. No. 29/614043 filed on Aug. 15, 2017, entitled “Connector,” filed herewith is hereby incorporated by reference in its entirety.
All of the material from the U.S. design patent that is essential to the claimed design is included herein. Any material in the U.S. design patent that is not present herein forms no part of the claimed design.

1 Claim, 9 Drawing Sheets



(56)

References Cited

U.S. PATENT DOCUMENTS

D577,340 S * 9/2008 Henderson D13/154
D699,359 S * 2/2014 Lindekugel D24/186
D699,686 S * 2/2014 Chen D13/154
D824,332 S * 7/2018 Ackerman D13/117
2010/0291804 A1* 11/2010 Zhang H01R 43/24
439/660
2013/0023775 A1* 1/2013 Lamego A61B 5/14552
600/479
2016/0093970 A1* 3/2016 Wu H01R 13/443
439/148
2016/0233632 A1* 8/2016 Scruggs H01R 13/2421
2018/0300919 A1* 10/2018 Muhsin G06T 11/60
2018/0310822 A1* 11/2018 Indorf A61B 5/0015
2018/0310823 A1* 11/2018 Al-Ali A61B 5/0022

OTHER PUBLICATIONS

LNCS Series M20 Patient Cable, dated May 12, 2018, [online], [site visited May 22, 2019]. Available from Internet, URL: <http://www.masimo.com/products/sensors/lncs/cables/> (Year: 2018).*

* cited by examiner

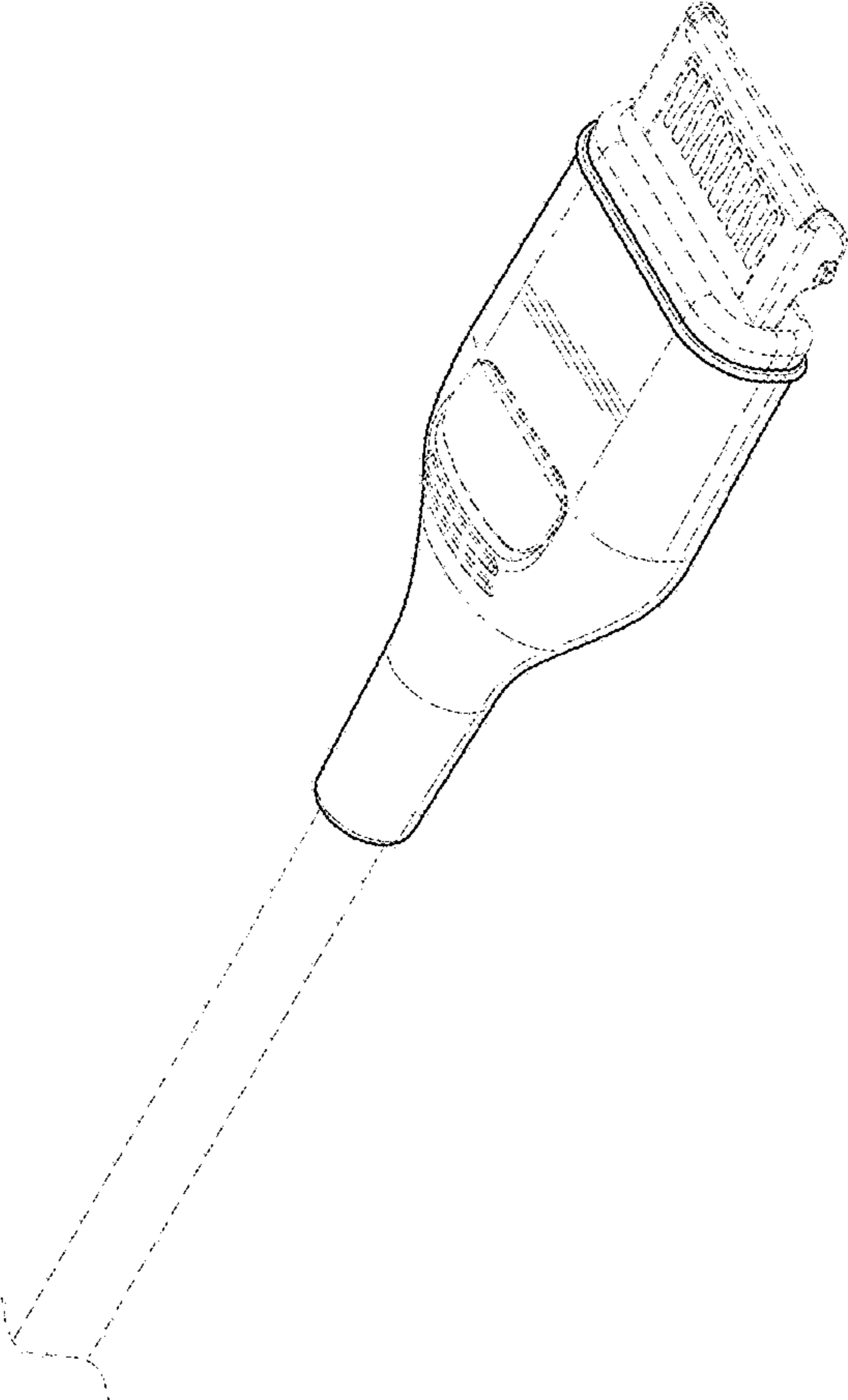


FIG. 1

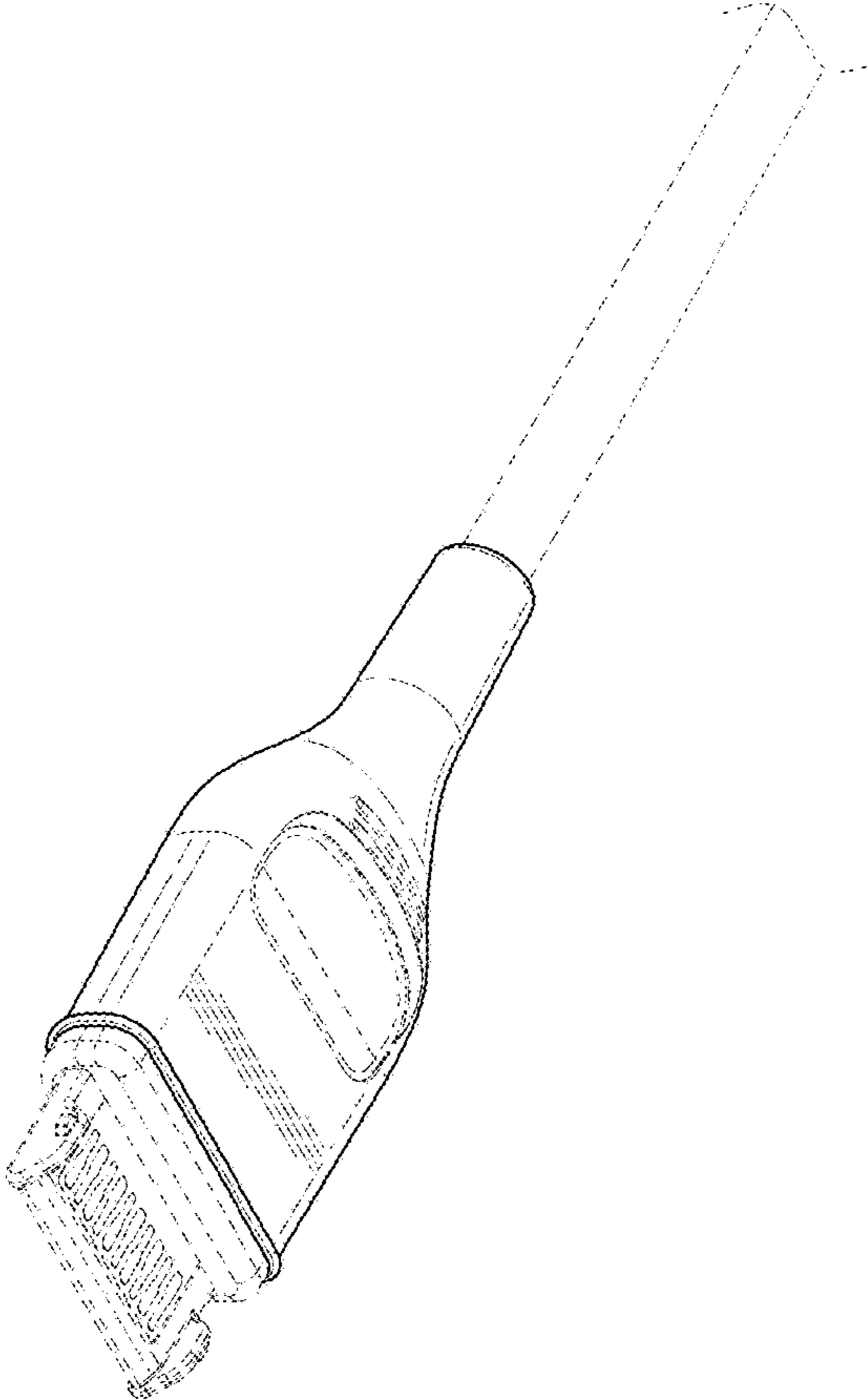


FIG. 2

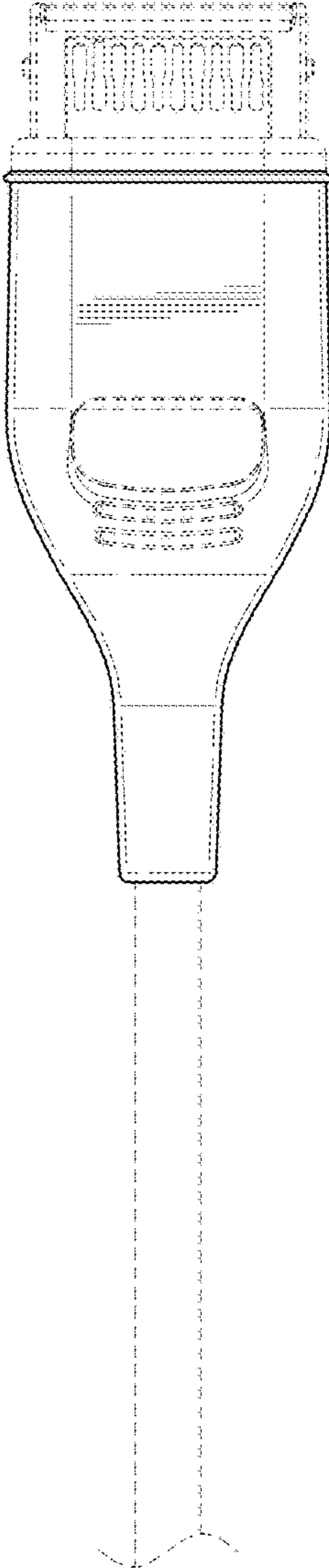


FIG. 3

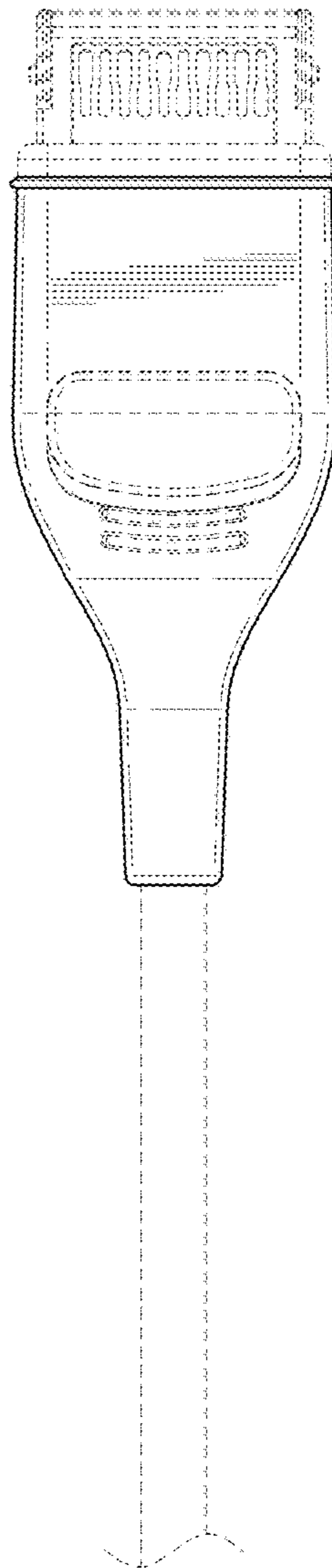


FIG. 4

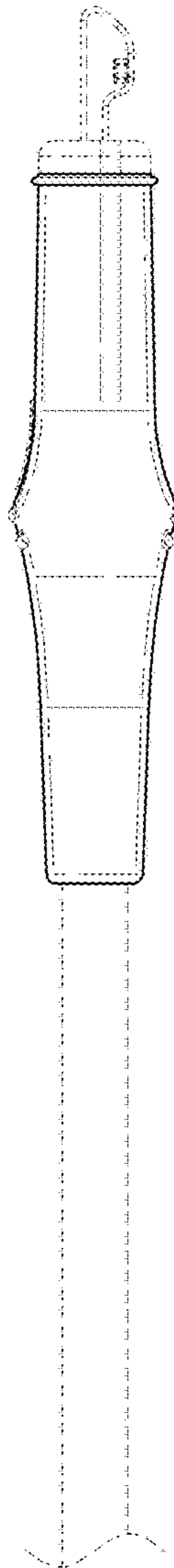


FIG. 5

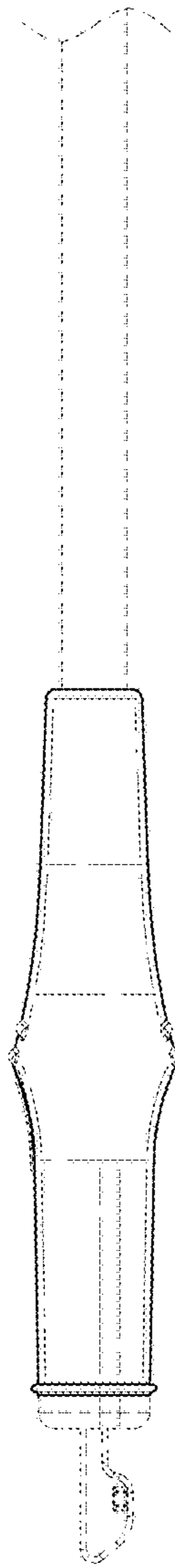


FIG. 6

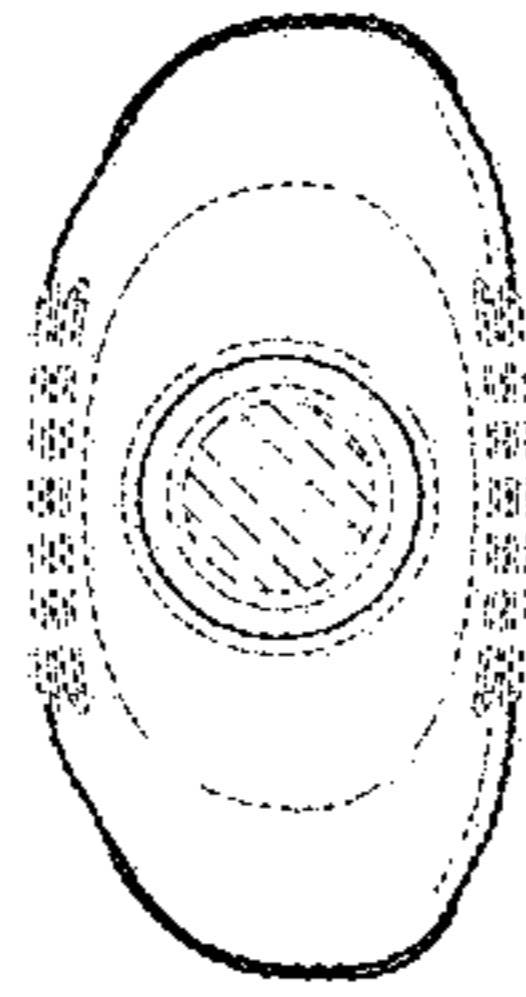


FIG. 8

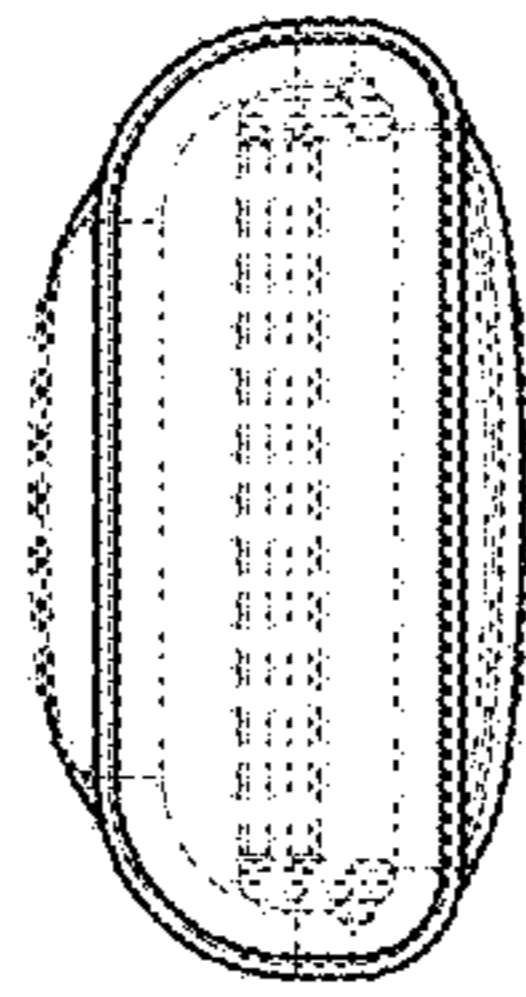


FIG. 7

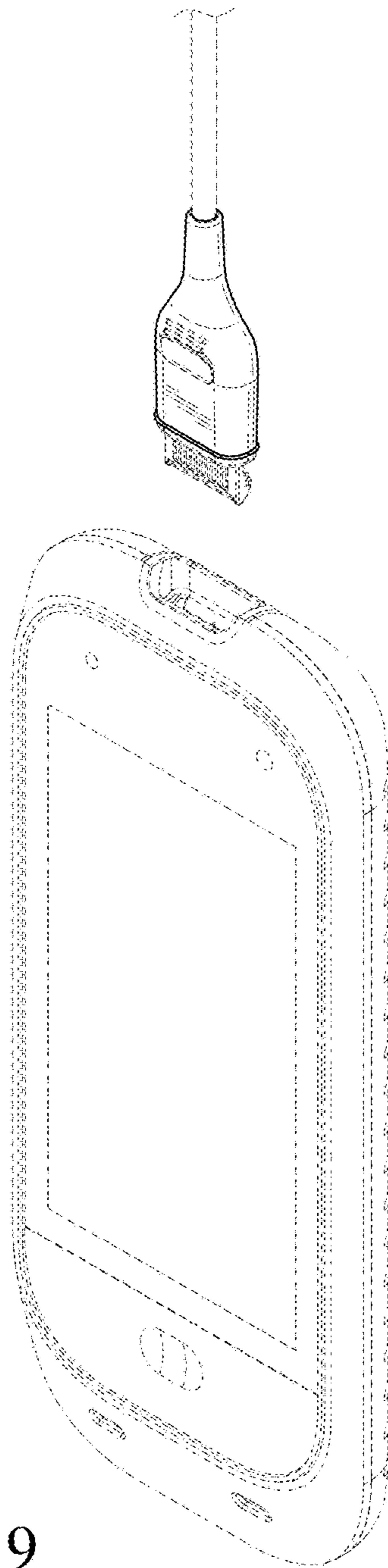


FIG. 9

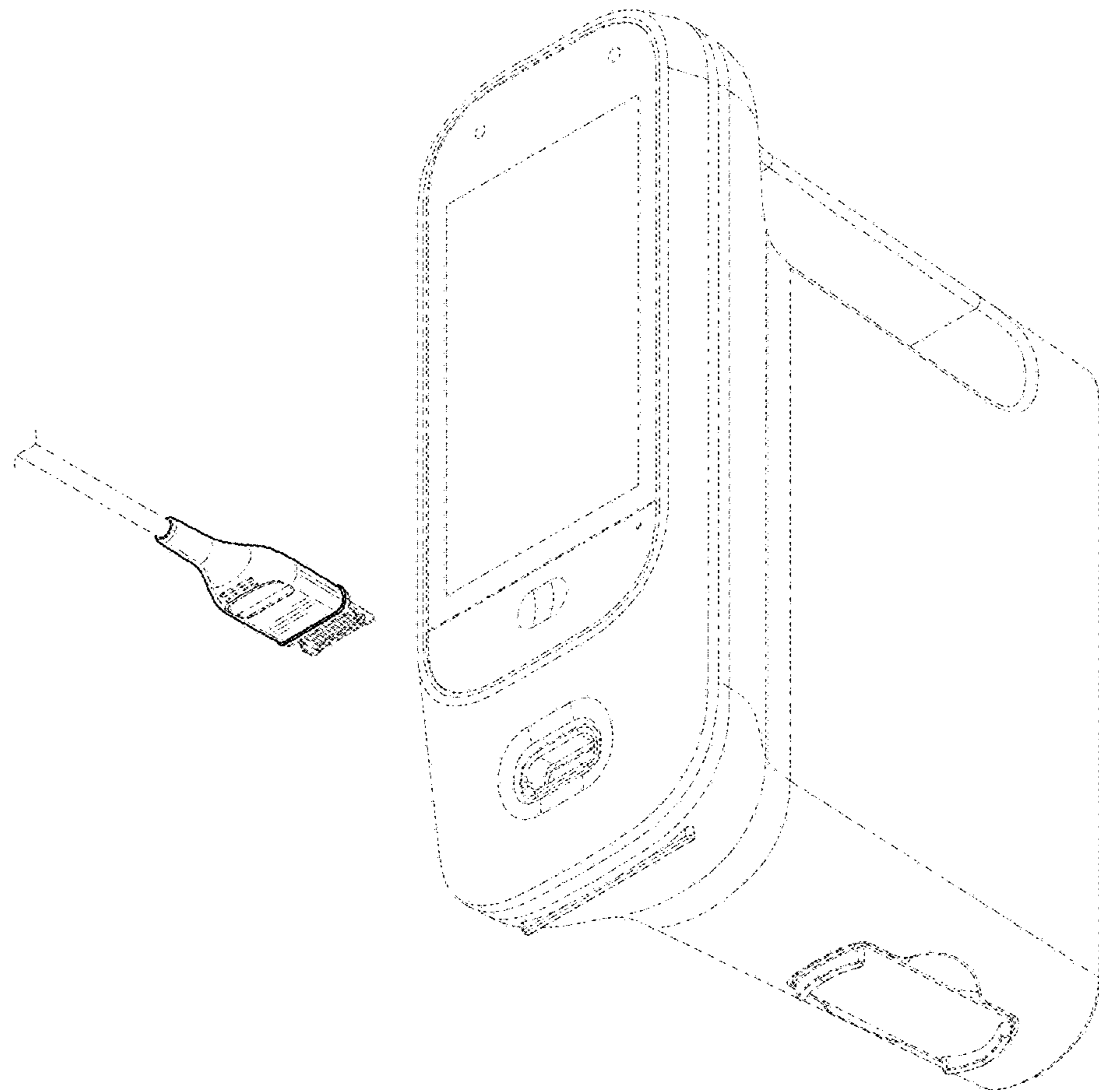


FIG. 10