



US00D864119S

(12) **United States Design Patent**  
**Abe**

(10) **Patent No.:** **US D864,119 S**

(45) **Date of Patent:** **\*\* Oct. 22, 2019**

(54) **ELECTRICAL CONNECTOR**

(71) Applicant: **Hosiden Corporation**, Yao-shi, Osaka  
(JP)

(72) Inventor: **Nobuyuki Abe**, Isesaki (JP)

(73) Assignee: **HOSIDEN CORPORATION**, Yao-Shi  
(JP)

(\*\*) Term: **15 Years**

(21) Appl. No.: **29/643,087**

(22) Filed: **Apr. 4, 2018**

(30) **Foreign Application Priority Data**

Oct. 6, 2017 (JP) ..... 2017-022248

(51) **LOC (12) Cl.** ..... **13-03**

(52) **U.S. Cl.**  
USPC ..... **D13/146**

(58) **Field of Classification Search**

USPC ..... D13/110, 123, 133, 134, 146, 147, 149,  
D13/153, 154, 173, 184, 199

CPC . G02B 6/38; H01R 9/05; H01R 13/04; H01R  
13/627; H01R 13/64; H01R 13/648;  
H01R 13/658; H01R 13/6581; H01R  
24/00; H01R 31/02

See application file for complete search history.

(56) **References Cited**

**U.S. PATENT DOCUMENTS**

D418,817 S \* 1/2000 Wu ..... D13/147  
D425,867 S \* 5/2000 Lok ..... D13/147  
D443,251 S \* 6/2001 Wang ..... D13/147  
D464,027 S \* 10/2002 Weng ..... D13/110  
6,547,584 B2 \* 4/2003 Myer ..... H01R 13/641  
439/271

D560,613 S \* 1/2008 McEvoy ..... D13/147  
D562,775 S \* 2/2008 Cuff ..... D13/147  
D564,963 S \* 3/2008 Sakamoto ..... D13/133  
D573,093 S \* 7/2008 So ..... D13/133  
D675,991 S \* 2/2013 Sasada ..... D13/147  
D688,203 S \* 8/2013 Shimizu ..... D13/147  
D832,848 S \* 11/2018 Chan ..... D14/433  
D851,595 S \* 6/2019 Chen ..... D13/133  
2016/0093984 A1 \* 3/2016 Iwamoto ..... H01R 13/6581  
439/607.55  
2017/0047696 A1 \* 2/2017 Li ..... H01R 13/04

\* cited by examiner

*Primary Examiner* — Angela J Lee

*Assistant Examiner* — Shawn T Gingrich

(74) *Attorney, Agent, or Firm* — Rankin, Hill & Clark  
LLP

(57) **CLAIM**

The ornamental design for an electrical connector, as shown  
and described.

**DESCRIPTION**

FIG. 1 is a front, left side and top perspective view of an  
electrical connector of my new design;

FIG. 2 is a front, left side and bottom perspective view  
thereof;

FIG. 3 is a front elevation view thereof;

FIG. 4 is a rear elevation view thereof;

FIG. 5 is a left side view thereof;

FIG. 6 is a right side view thereof;

FIG. 7 is a top plan view thereof; and,

FIG. 8 is a bottom plan view thereof.

The broken line portion of the drawings is included to show  
portions of the article that forms no part of the claimed  
design.

The broken lines in the drawings illustrate portions of the  
electrical connector that form no part of the claimed design.

**1 Claim, 4 Drawing Sheets**

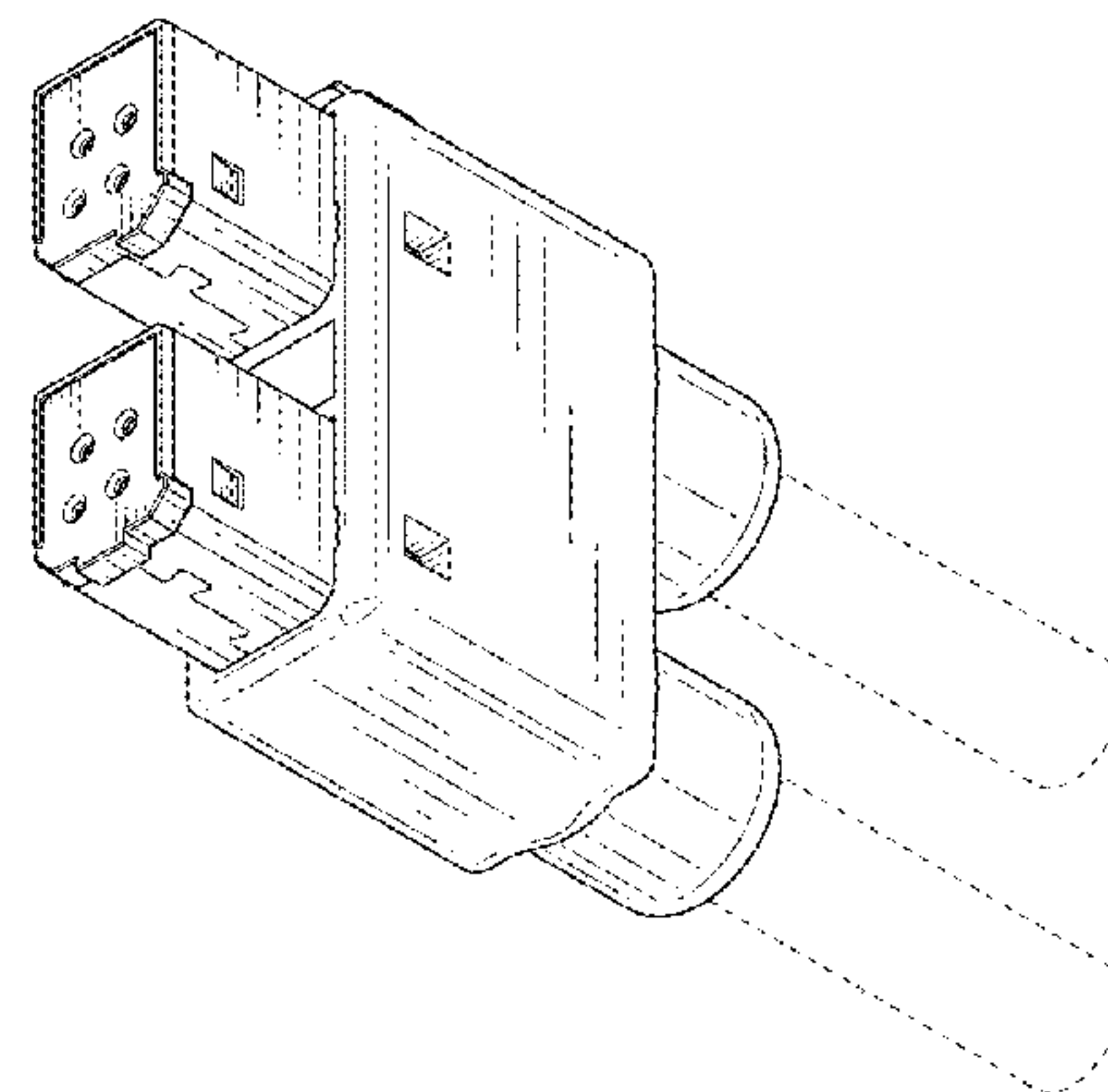
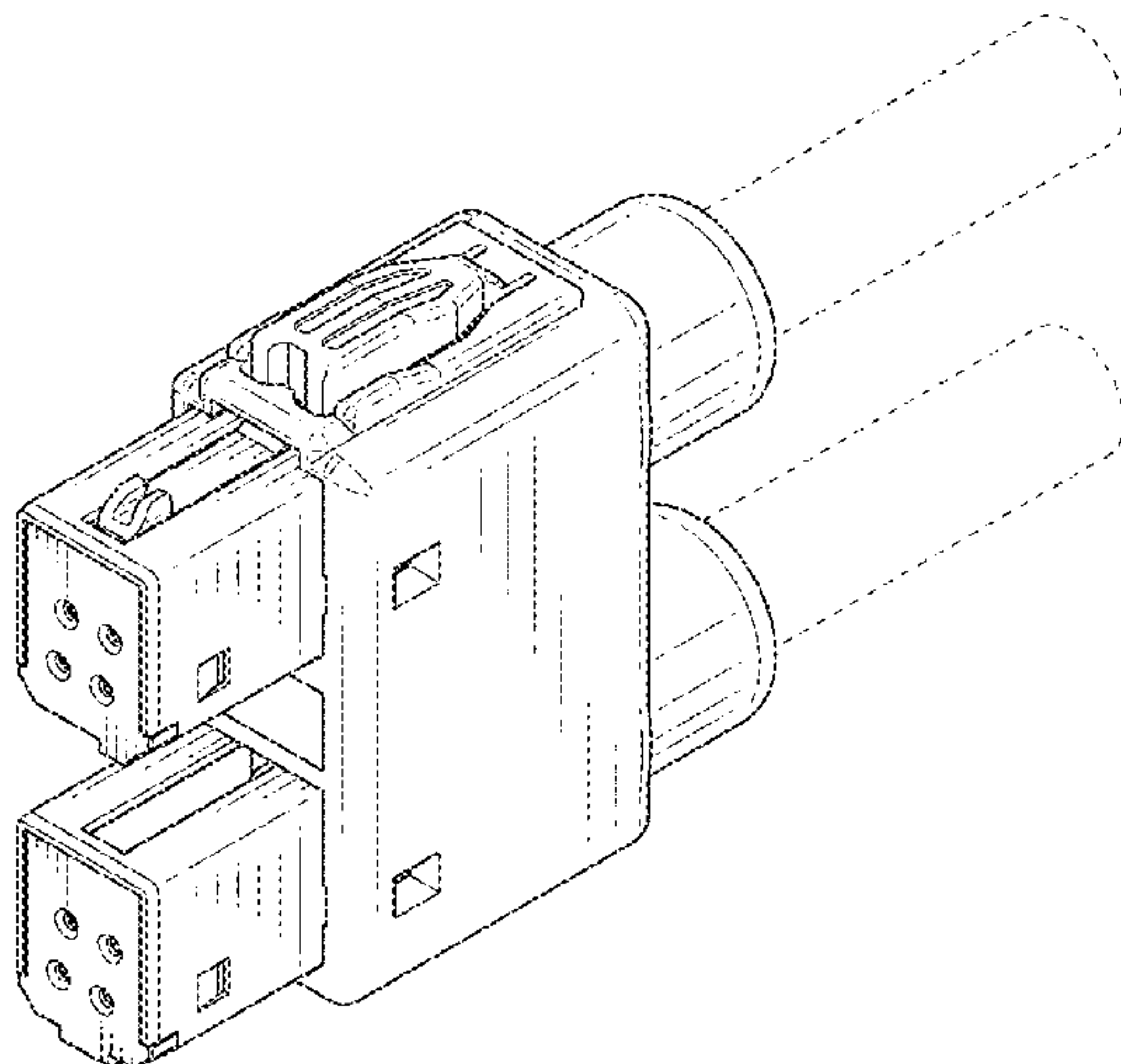


Fig.1

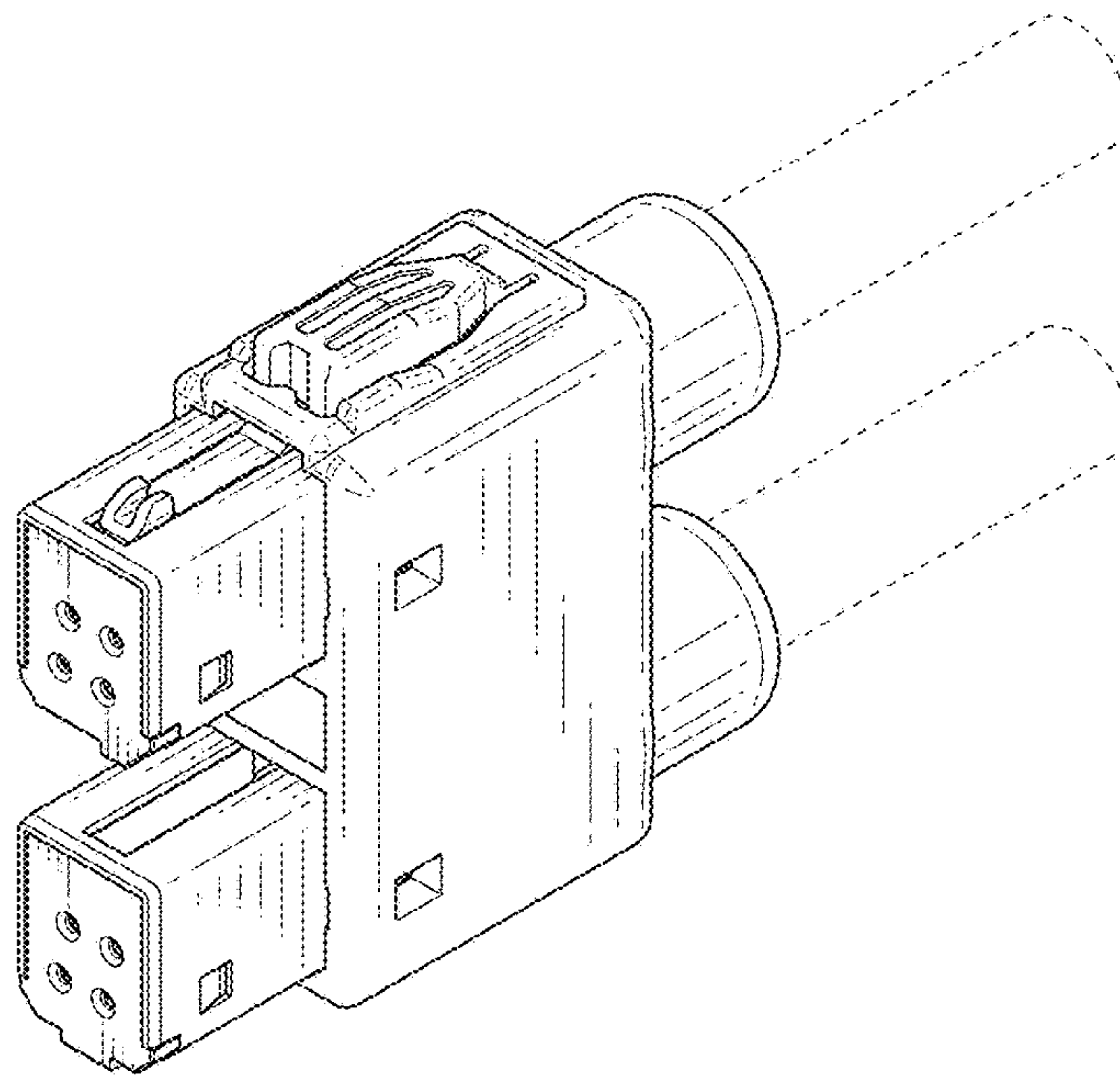


Fig.2

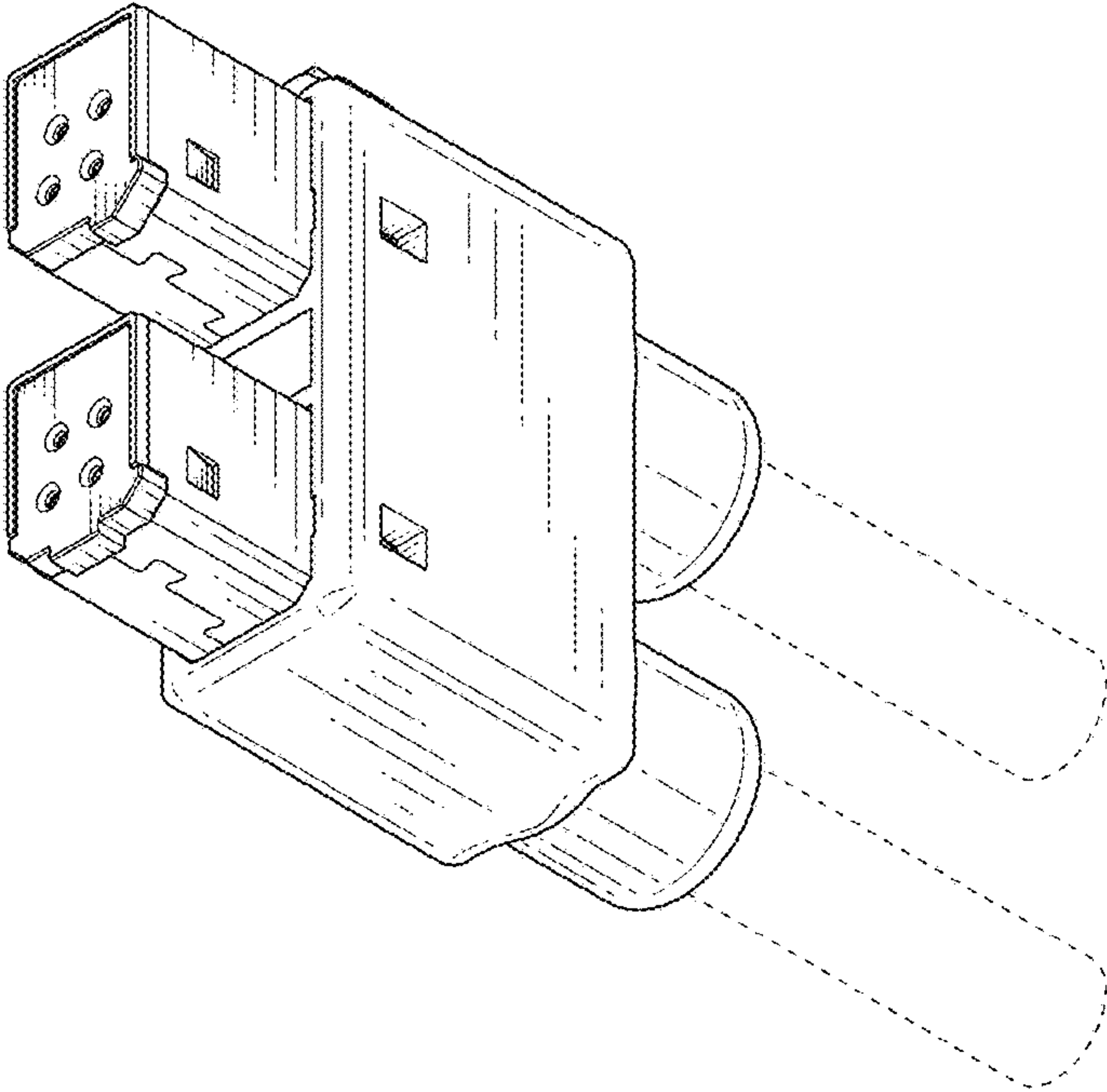


Fig.3

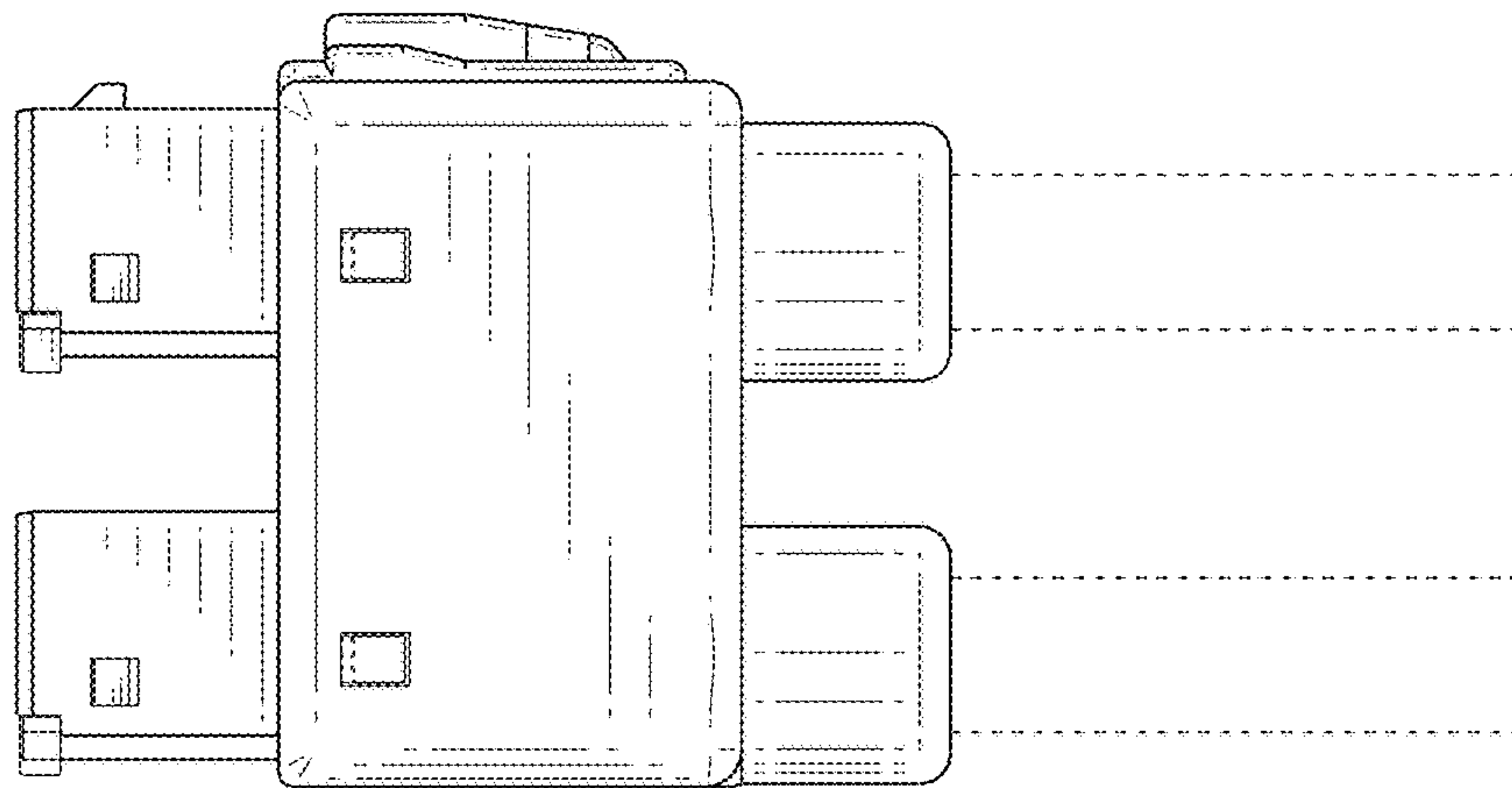


Fig.4

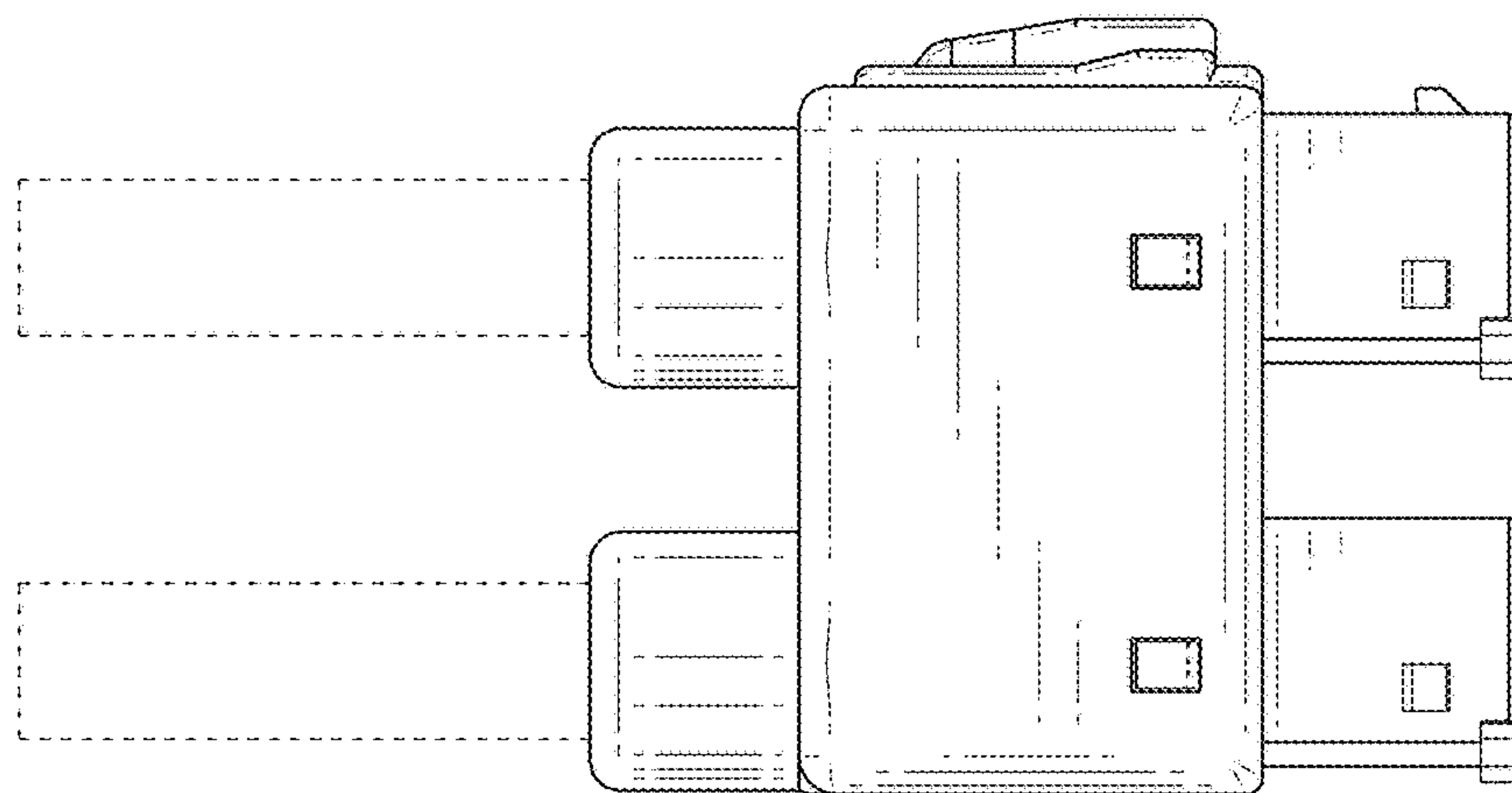


Fig.5

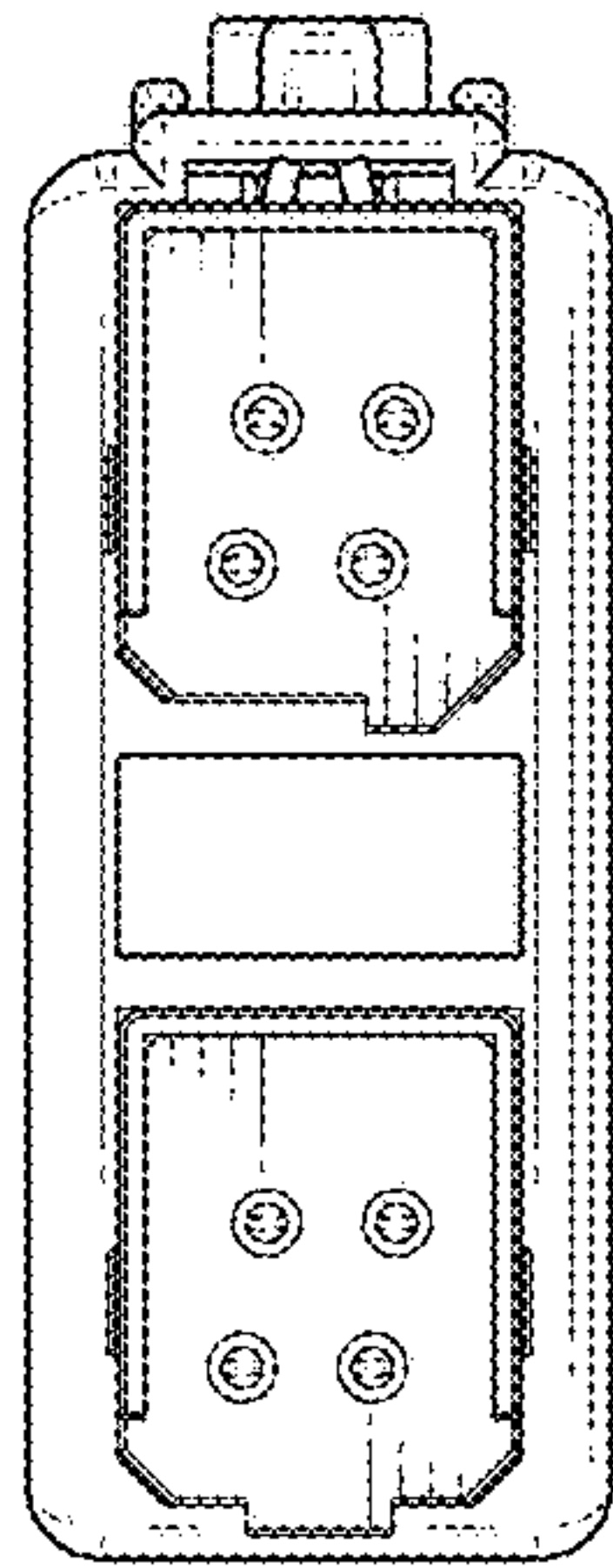


Fig.6

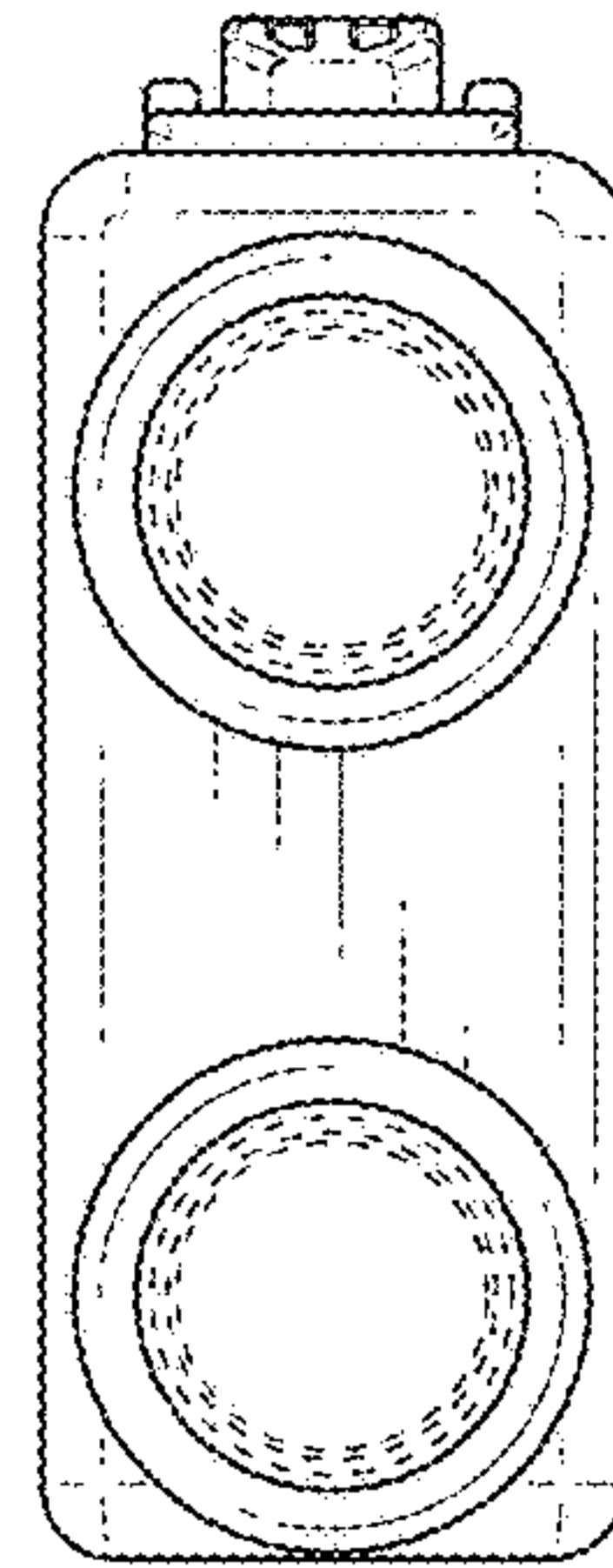


Fig.7

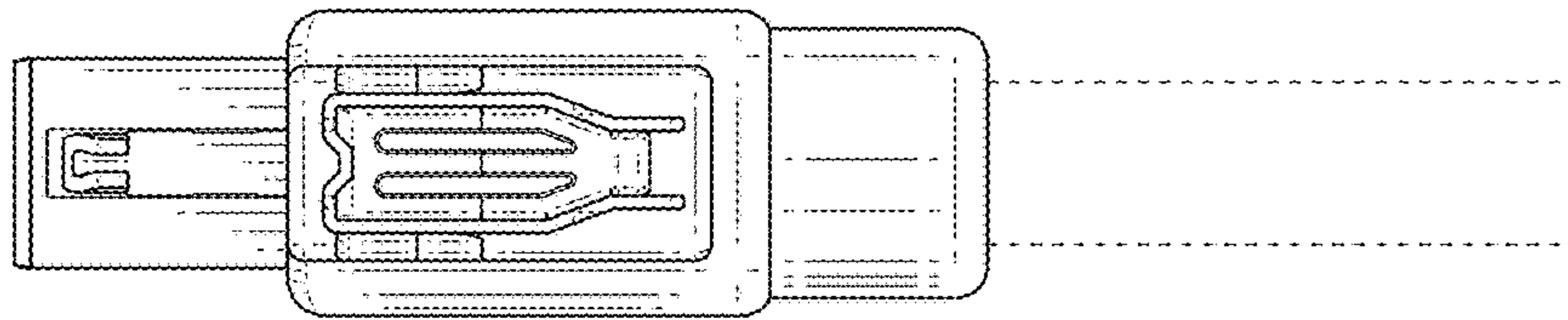


Fig.8

