



US00D864118S

(12) **United States Design Patent** (10) **Patent No.:** **US D864,118 S**
Rey (45) **Date of Patent:** **** Oct. 22, 2019**

(54) **SALON CHAIR POWER PACK**
(71) Applicant: **Beniah Rey**, Boca Raton, FL (US)
(72) Inventor: **Beniah Rey**, Boca Raton, FL (US)
(**) Term: **15 Years**
(21) Appl. No.: **29/629,068**
(22) Filed: **Dec. 11, 2017**
(51) **LOC (12) Cl.** **13-03**
(52) **U.S. Cl.**
USPC **D13/139.8**
(58) **Field of Classification Search**
USPC D13/107-110, 118-119, 184,
D13/137.1-139.8, 199, 154, 146, 152;
D14/251, 253, 432, 434; D6/512-514
CPC Y02E 60/12; Y02T 90/14; Y02T 90/122;
Y02T 90/128; Y02T 90/163; H02J 7/025;
H02J 7/0042; H02J 7/0044; H02J 7/0045;
H02J 7/0003; H01F 38/14; H01R
13/6675; H01M 2/1022; H01M 2/1055;
H01M 10/44; H01M 10/46; H01M
10/425; B60L 11/182
See application file for complete search history.

(56) **References Cited**
U.S. PATENT DOCUMENTS
2,767,895 A * 10/1956 Smith B60R 7/043
224/275
D300,398 S * 3/1989 Krugman D6/514
D324,669 S * 3/1992 Co D13/137.3
D353,576 S * 12/1994 Berlin D13/139.1

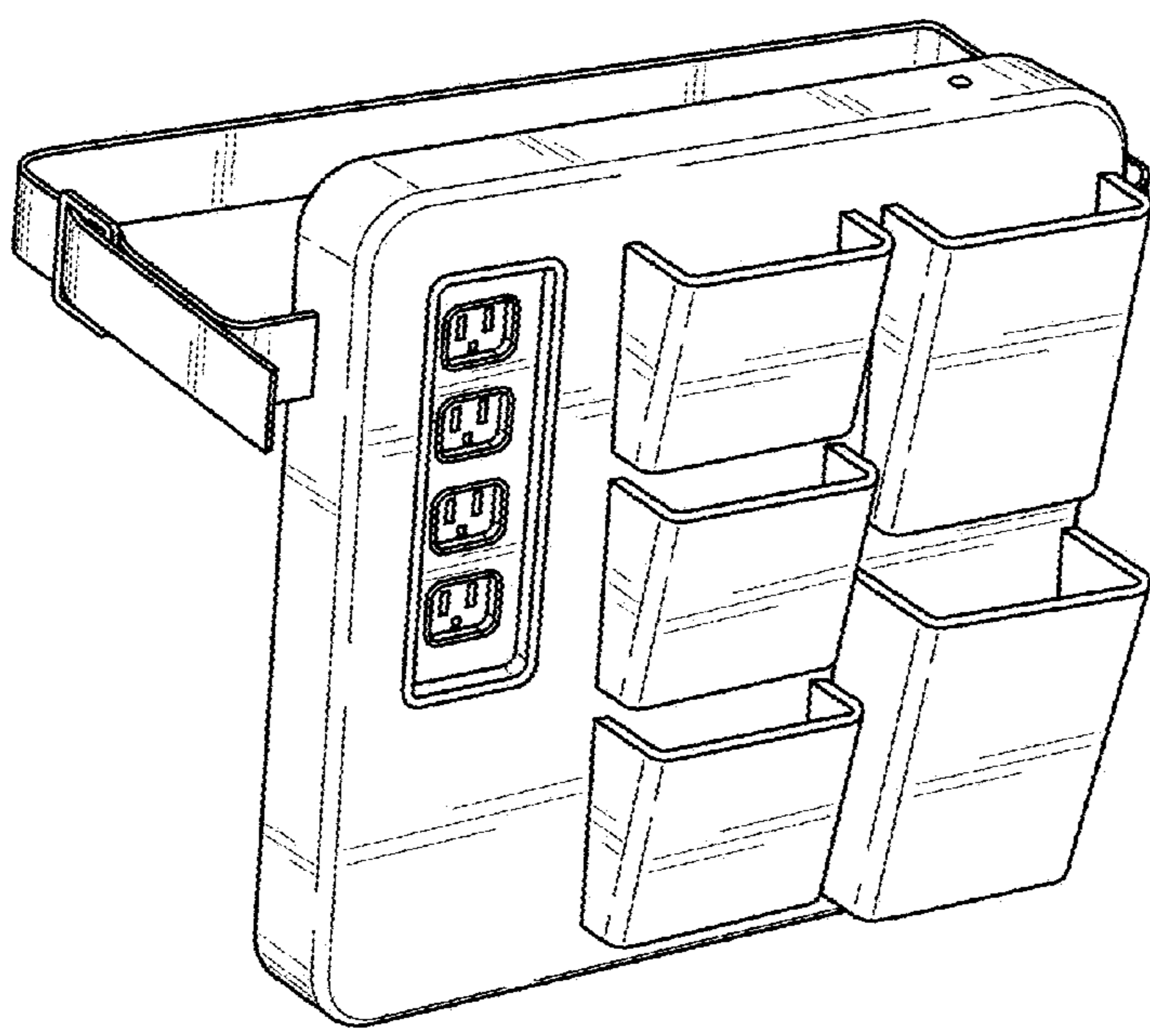
D411,169 S * 6/1999 West D13/139.8
D466,868 S * 12/2002 Gershfeld D13/139.4
D468,697 S * 1/2003 Straub, Jr. D13/152
D626,070 S * 10/2010 Byrne D13/139.4
D782,389 S * 3/2017 Currier D12/415
D817,020 S * 5/2018 Polifroni D6/513
D823,805 S * 7/2018 Xu D13/139.8
2004/0140282 A1 * 7/2004 Wang A47F 7/14
211/113

* cited by examiner
Primary Examiner — Rosemary K Tarcza
Assistant Examiner — Nathaniel D. Buckner
(74) *Attorney, Agent, or Firm* — GrayRobinson, P.A.

(57) **CLAIM**
The ornamental design for a salon chair power pack, as shown and described.

DESCRIPTION
FIG. 1 is a left front perspective view of a salon chair power pack showing my new design;
FIG. 2 is a front elevation view thereof;
FIG. 3 is a rear elevation view thereof.
FIG. 4 is a left elevation view, showing the strap in an alternate configuration of use;
FIG. 5 is a right elevation view of FIG. 1;
FIG. 6 is a top plan view thereof;
FIG. 7 is a bottom plan view thereof; and,
FIG. 8 is a left front perspective view thereof, shown in an environment of use.
The broken lines in the figures depict environmental structure, and portions of the article which form no part of the claimed design.

1 Claim, 8 Drawing Sheets



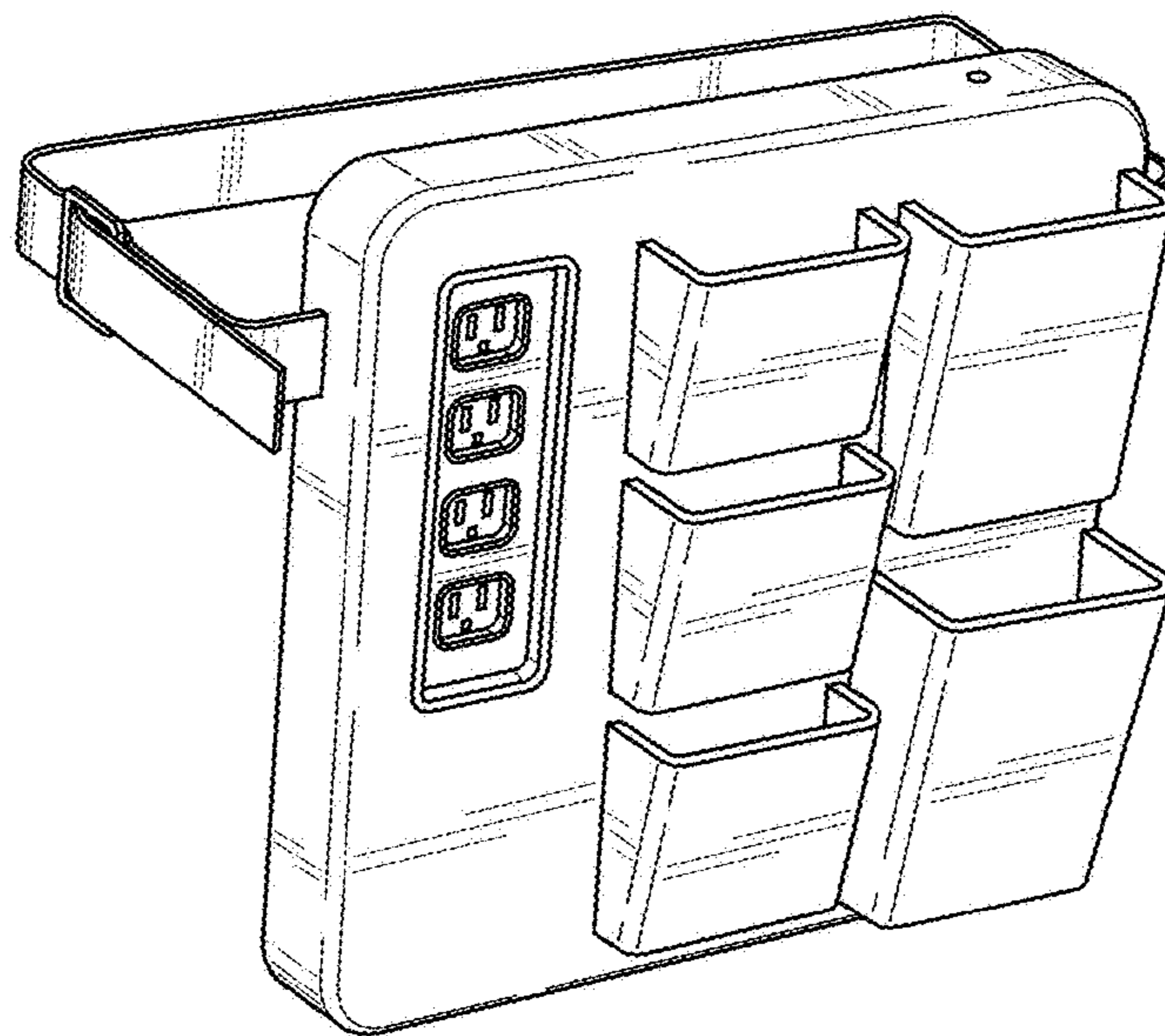


FIG. 1

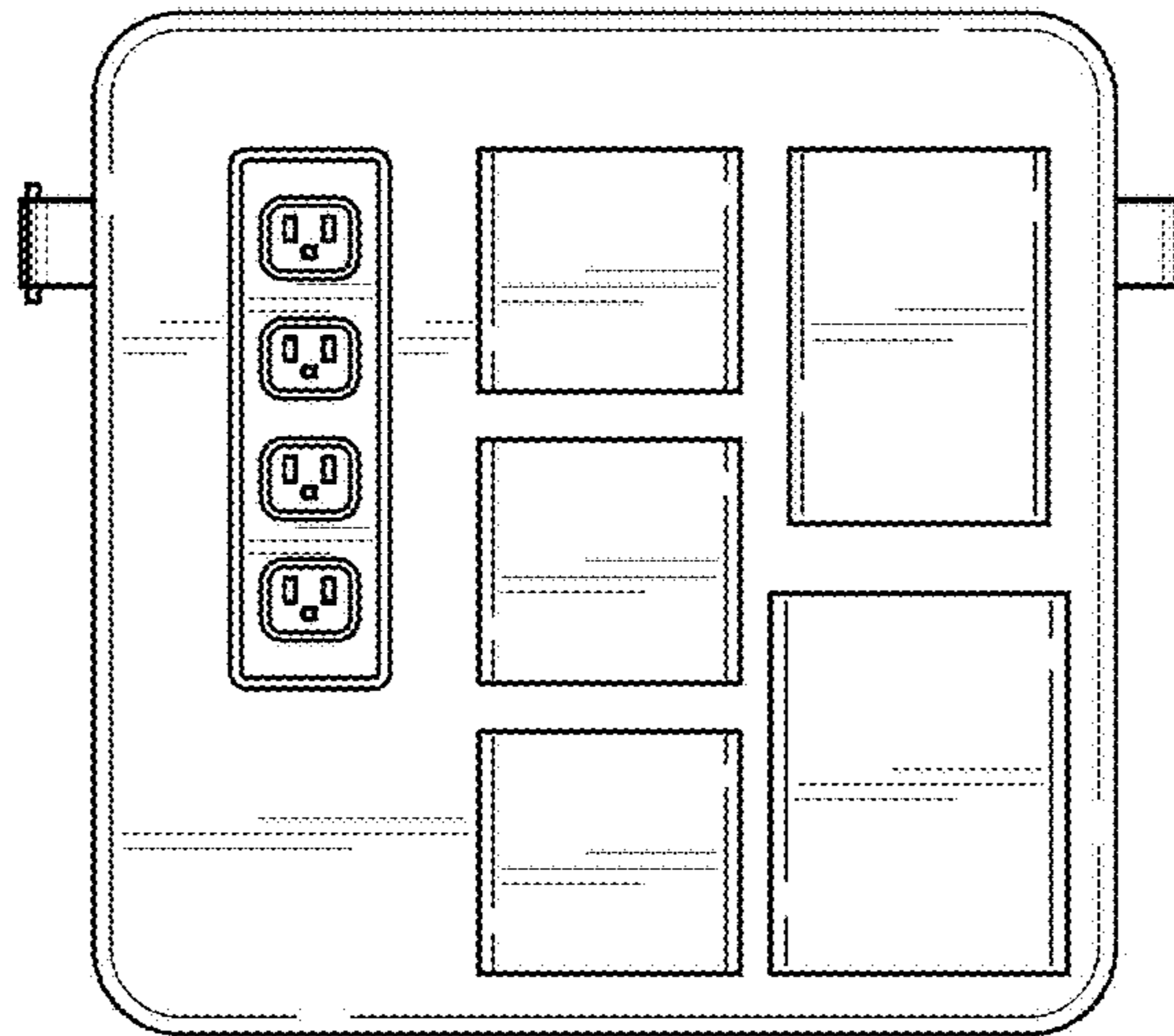


FIG. 2

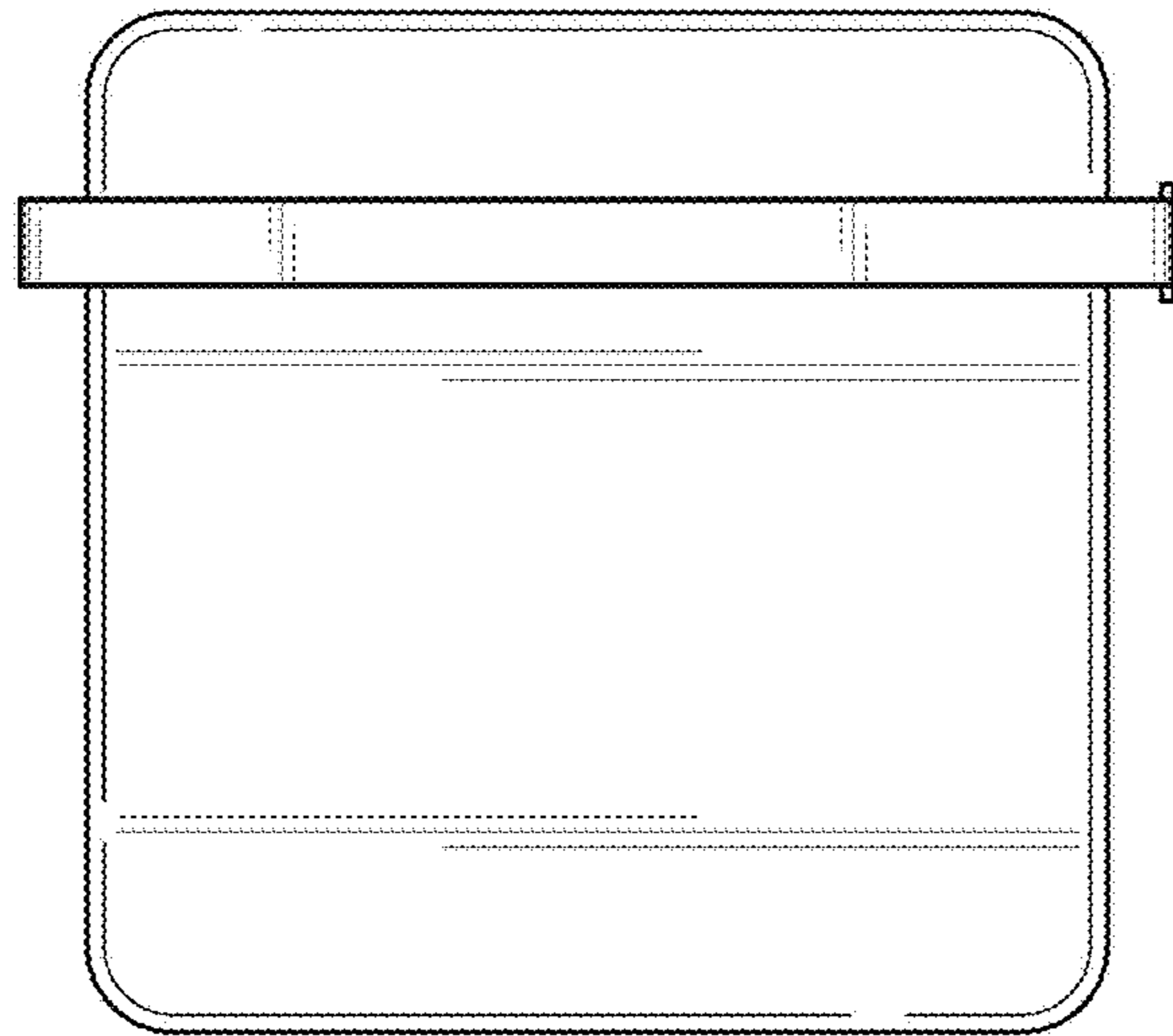


FIG. 3

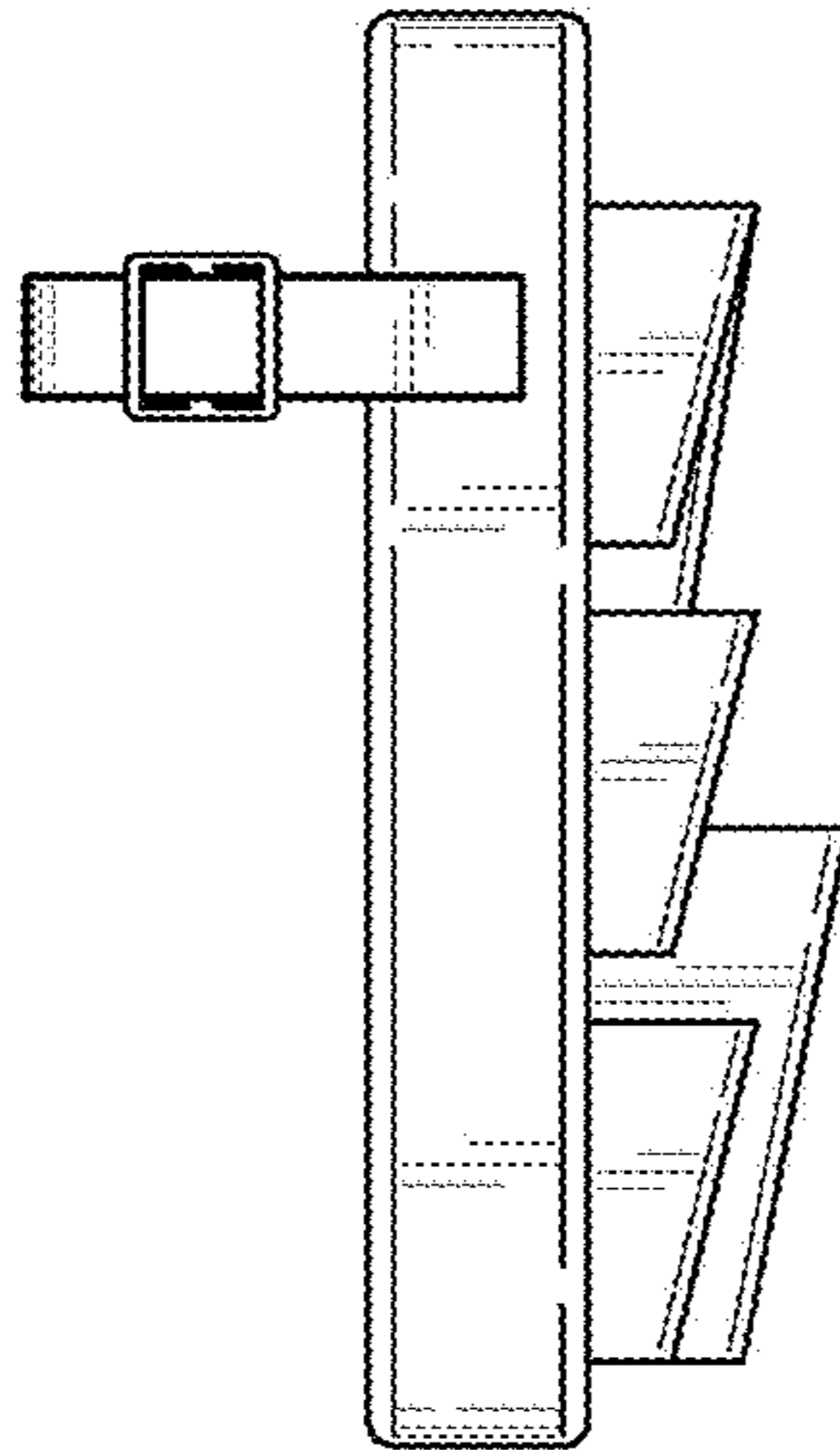


FIG. 4

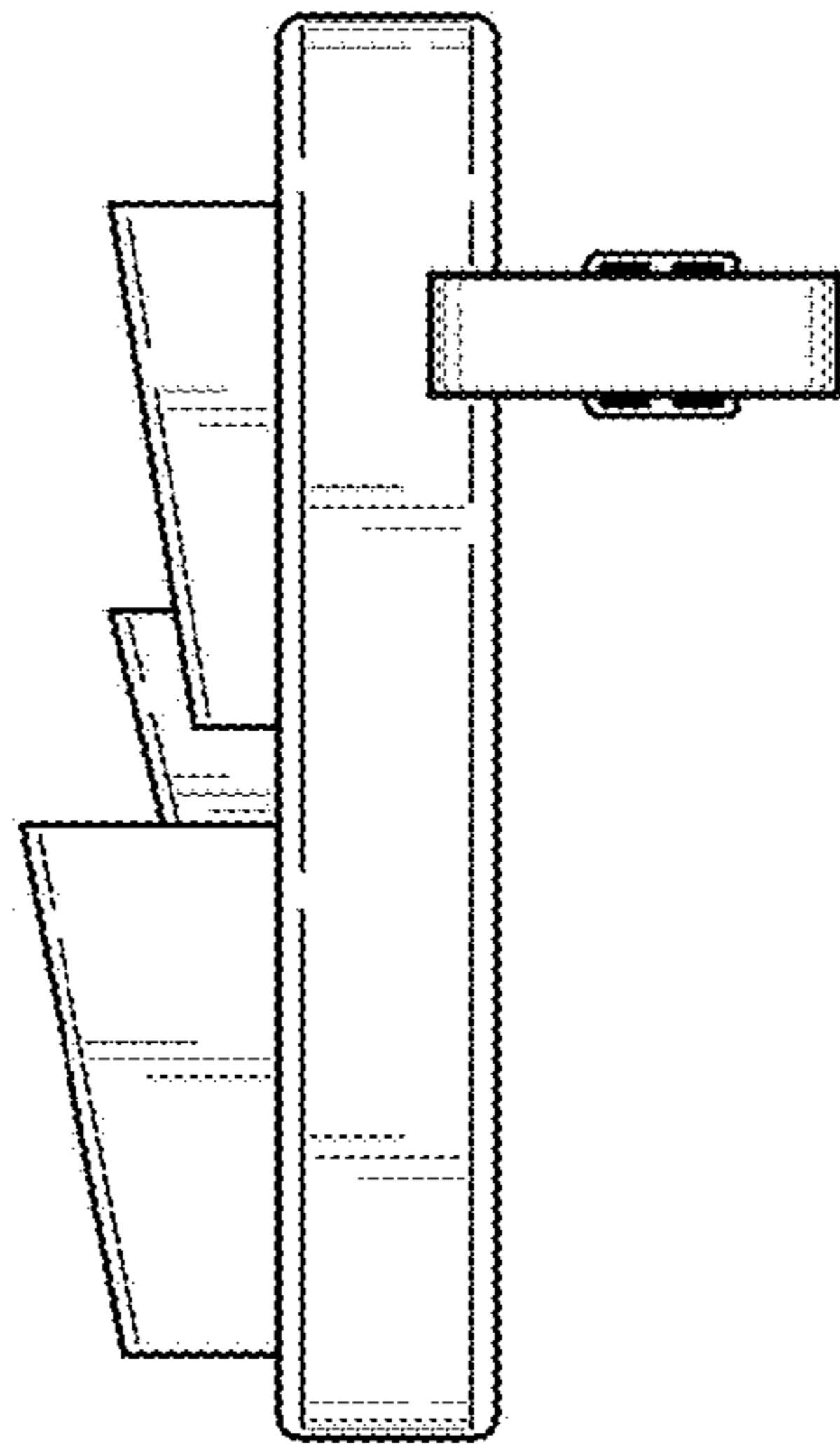


FIG. 5

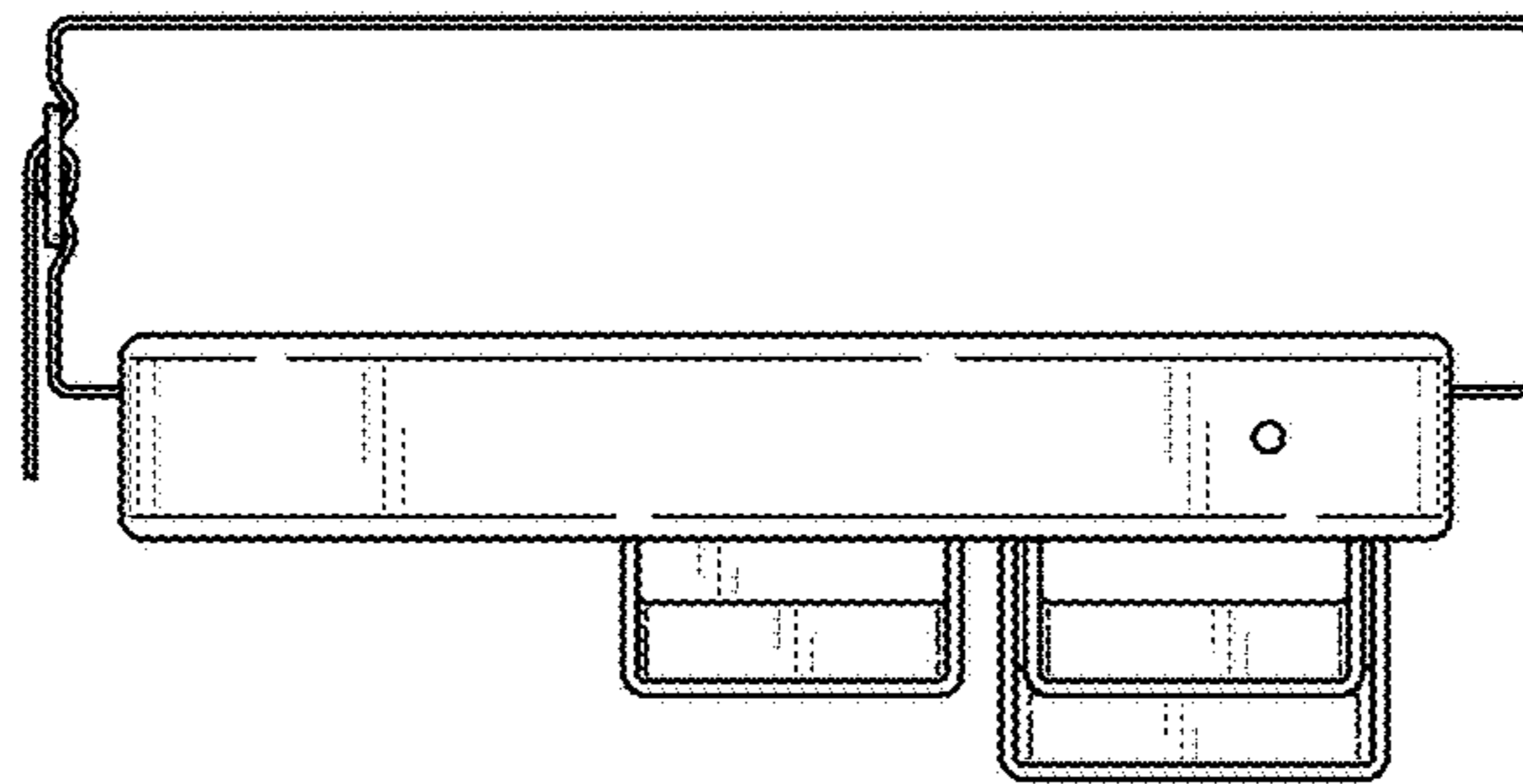


FIG. 6

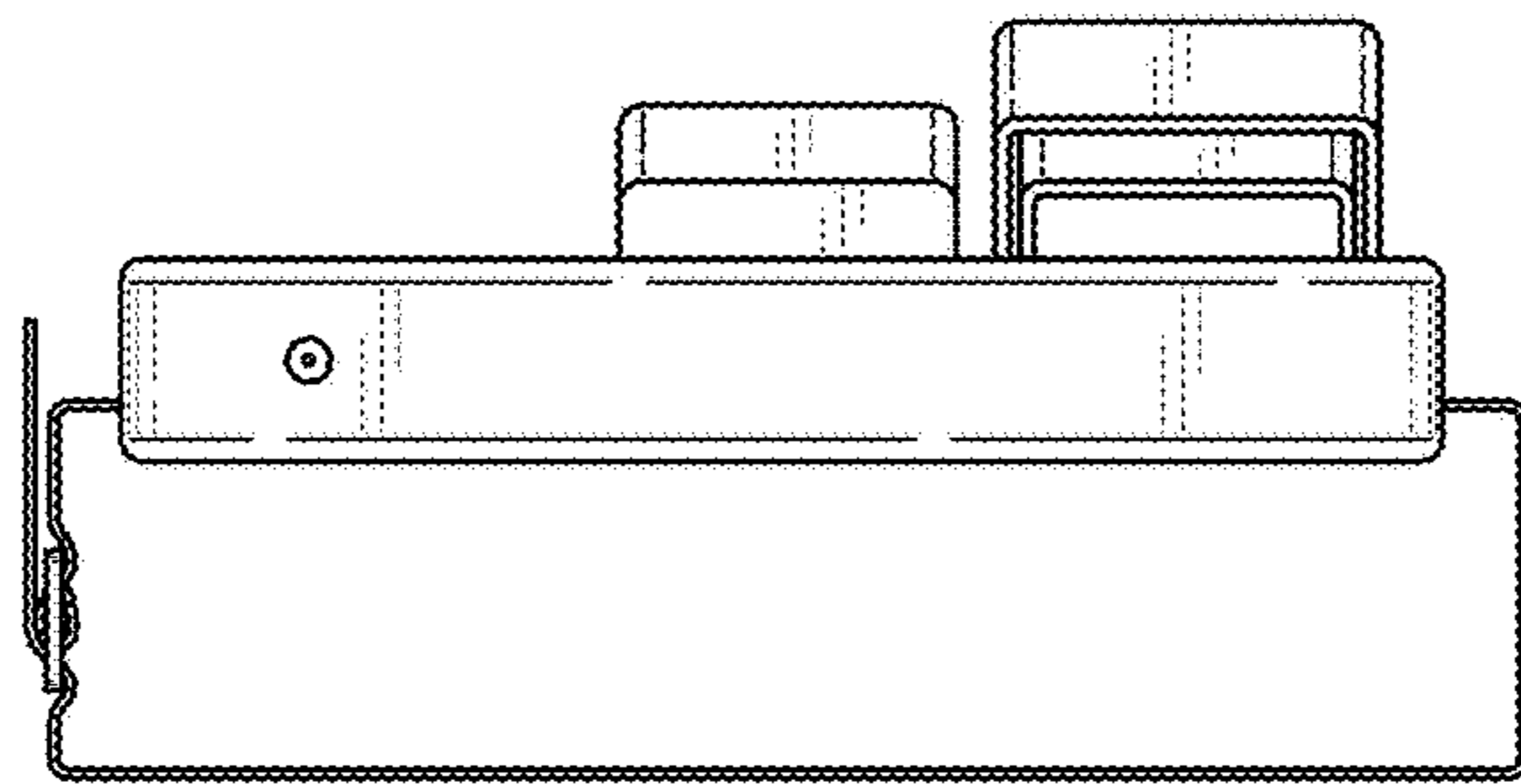


FIG. 7

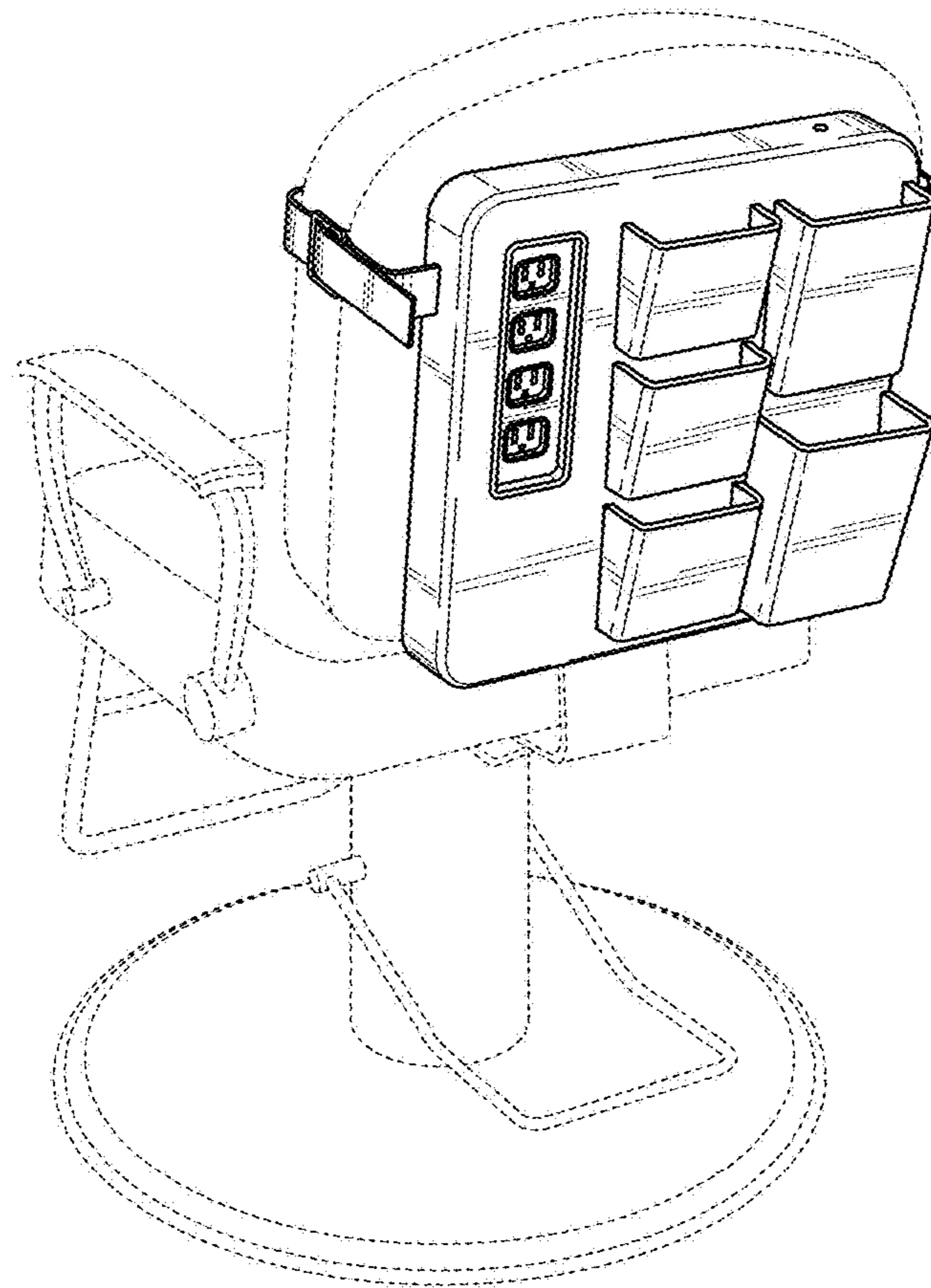


FIG. 8