



US00D864114S

(12) **United States Design Patent** (10) **Patent No.:** **US D864,114 S**
Greenberg et al. (45) **Date of Patent:** **** Oct. 22, 2019**

(54) **BATTERY TERMINAL**
(71) Applicants: **William Greenberg**, Macedonia, OH (US); **Danny Finley**, Windham, OH (US)
(72) Inventors: **William Greenberg**, Macedonia, OH (US); **Danny Finley**, Windham, OH (US)
(73) Assignees: **KNUKONCEPTZ.COM, LTD.**, Bedford, OH (US); **William Greenberg**, Macedonia, OH (US)

6,932,659 B1 8/2005 Freitag
D695,698 S 12/2013 Greenberg
D743,903 S * 11/2015 Krivonak D13/147
9,306,379 B2 4/2016 Greenberg
D765,598 S * 9/2016 Dai D13/119
D798,813 S * 10/2017 Marinelli D13/110
D813,816 S * 3/2018 Osako D13/120

* cited by examiner

Primary Examiner — Derrick E Holland
Assistant Examiner — Jennifer O King

(**) Term: **15 Years**

(21) Appl. No.: **29/580,475**

(22) Filed: **Oct. 10, 2016**

(51) **LOC (12) Cl.** **13-02**

(52) **U.S. Cl.**
USPC **D13/120**

(58) **Field of Classification Search**
USPC D13/103–107, 110, 119–121, 133, 147, D13/156, 184; 429/151, 163, 175
CPC H01R 13/641; H01M 2/1027; H01M 2/1022; H01M 2/1072; H01M 2/105; H01M 2/1077
See application file for complete search history.

(56) **References Cited**

U.S. PATENT DOCUMENTS

D233,438 S * 10/1974 Bruner D13/148
D250,531 S * 12/1978 Demetreon D13/120
D405,058 S * 2/1999 Nakamura D13/156
D405,423 S * 2/1999 Nakamura D13/156
D453,496 S * 2/2002 Lee D13/120
D485,235 S * 1/2004 Liang D13/120
6,932,650 B1 * 8/2005 Freitag H01R 11/287
337/188

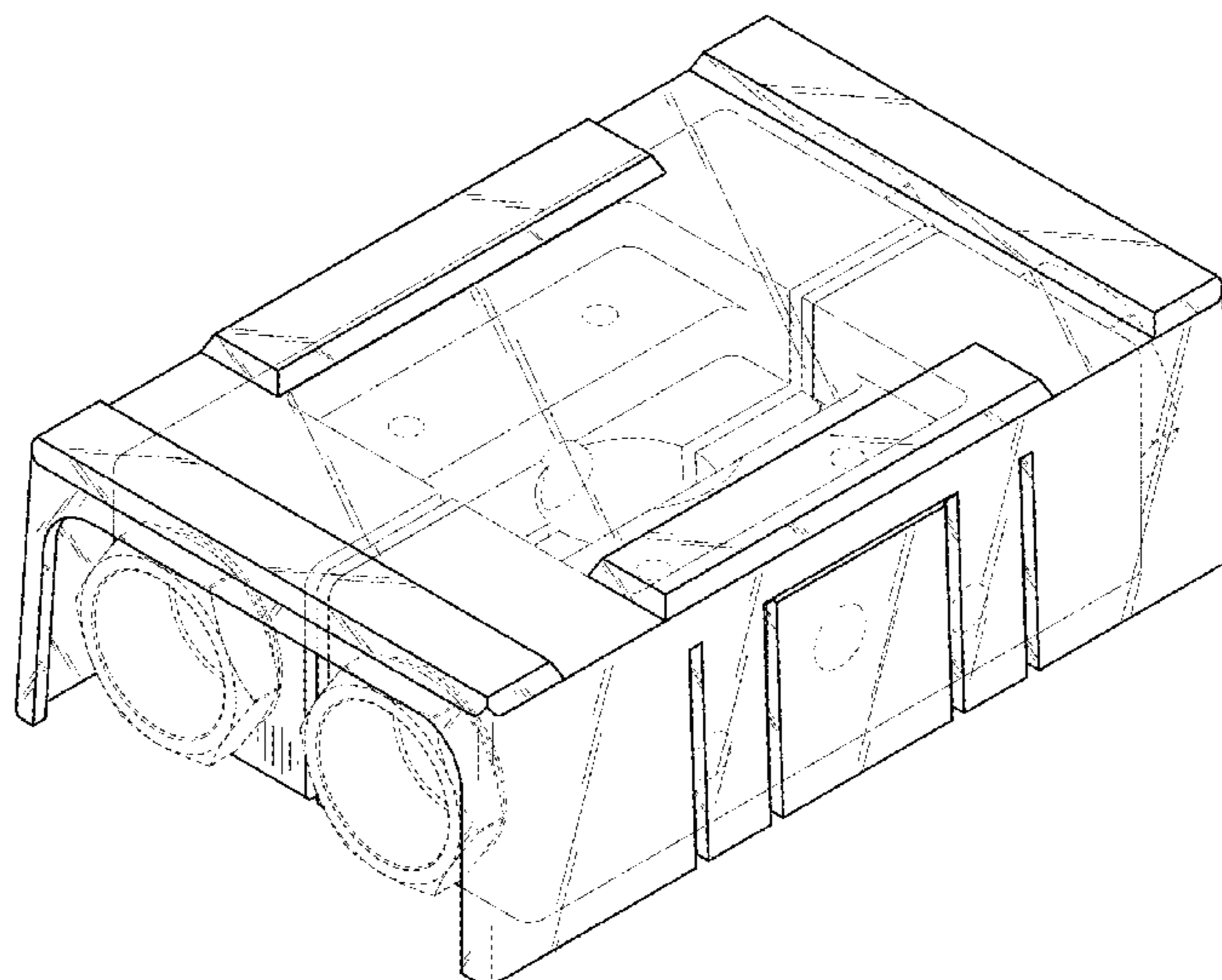
(57) **CLAIM**

The ornamental design for a battery terminal, as shown and described.

DESCRIPTION

FIG. 1 is a perspective view of a battery terminal;
FIG. 2 is a perspective bottom view thereof;
FIG. 3 is a top view thereof;
FIG. 4 is a bottom view thereof;
FIG. 5 is a right side view thereof;
FIG. 6 is a left side view thereof;
FIG. 7 is a right end view thereof;
FIG. 8 is a left end view thereof;
FIG. 9 is an alternative embodiment of the battery terminal of FIG. 1;
FIG. 10 is a perspective bottom view thereof;
FIG. 11 is a top view thereof;
FIG. 12 is a bottom view thereof;
FIG. 13 is a right side view thereof;
FIG. 14 is a left side view thereof;
FIG. 15 is a right end view thereof; and,
FIG. 16 is a left end view thereof.
The broken lines show portions of the battery terminal that form no part of the claimed design.

1 Claim, 6 Drawing Sheets



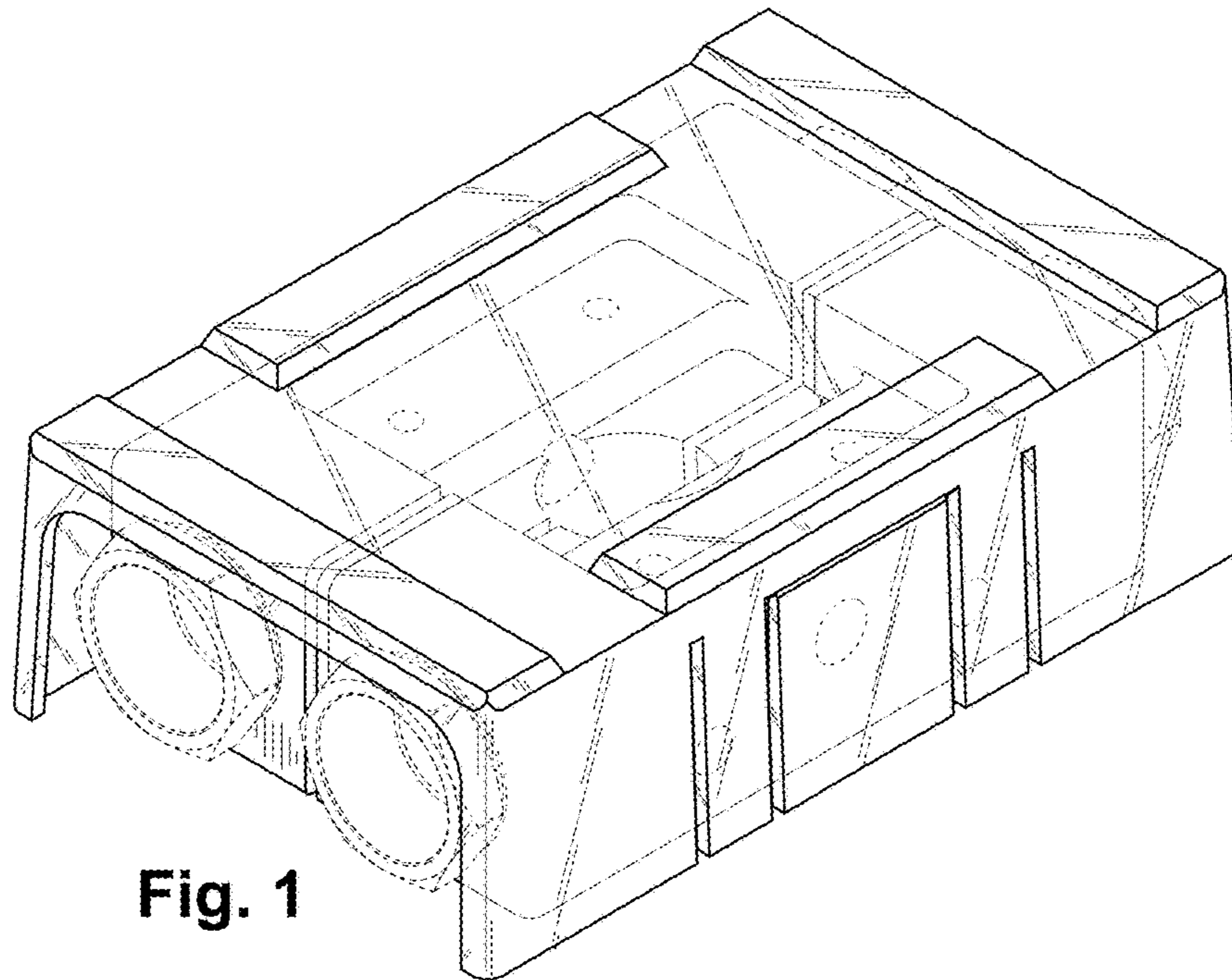


Fig. 1

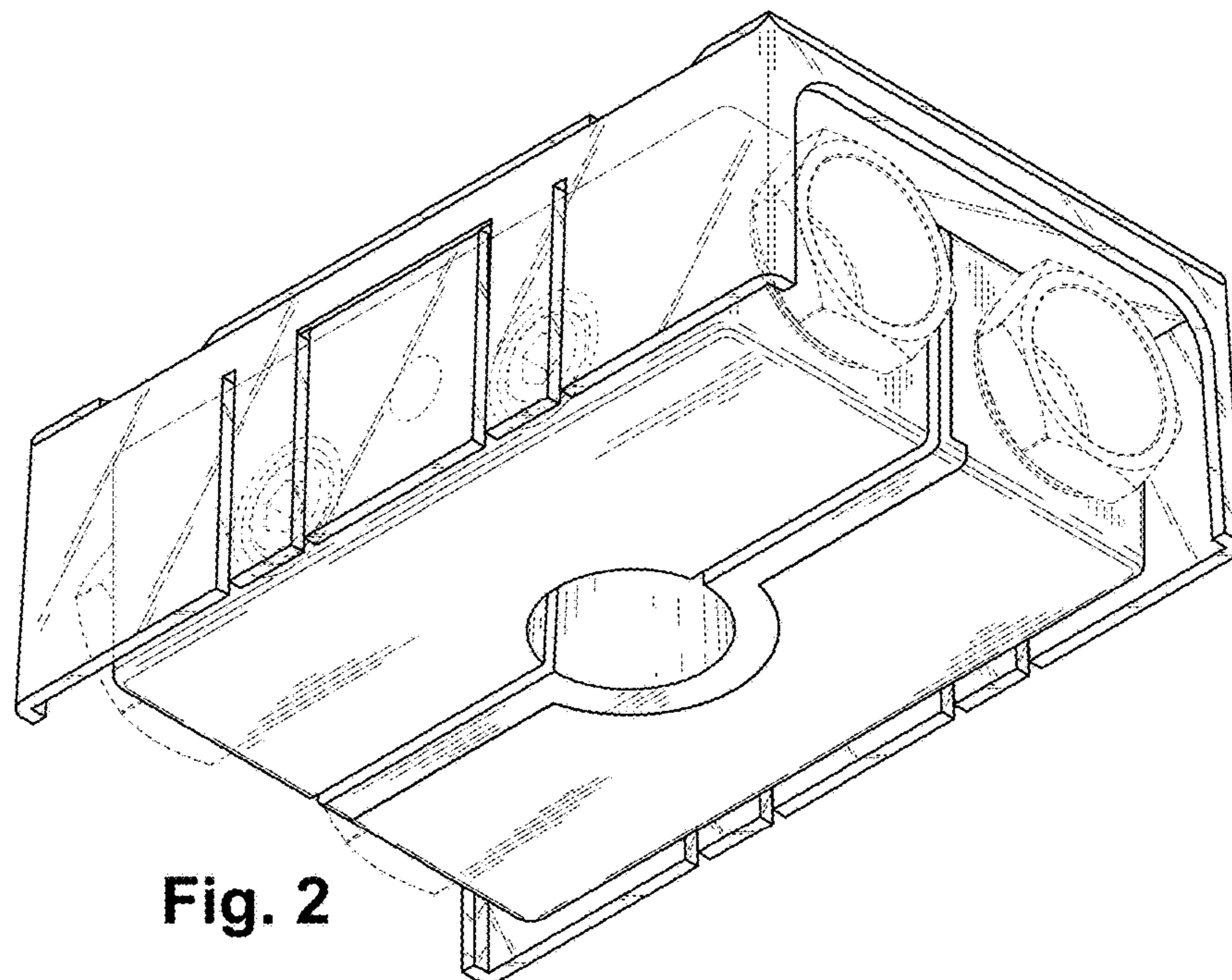


Fig. 2

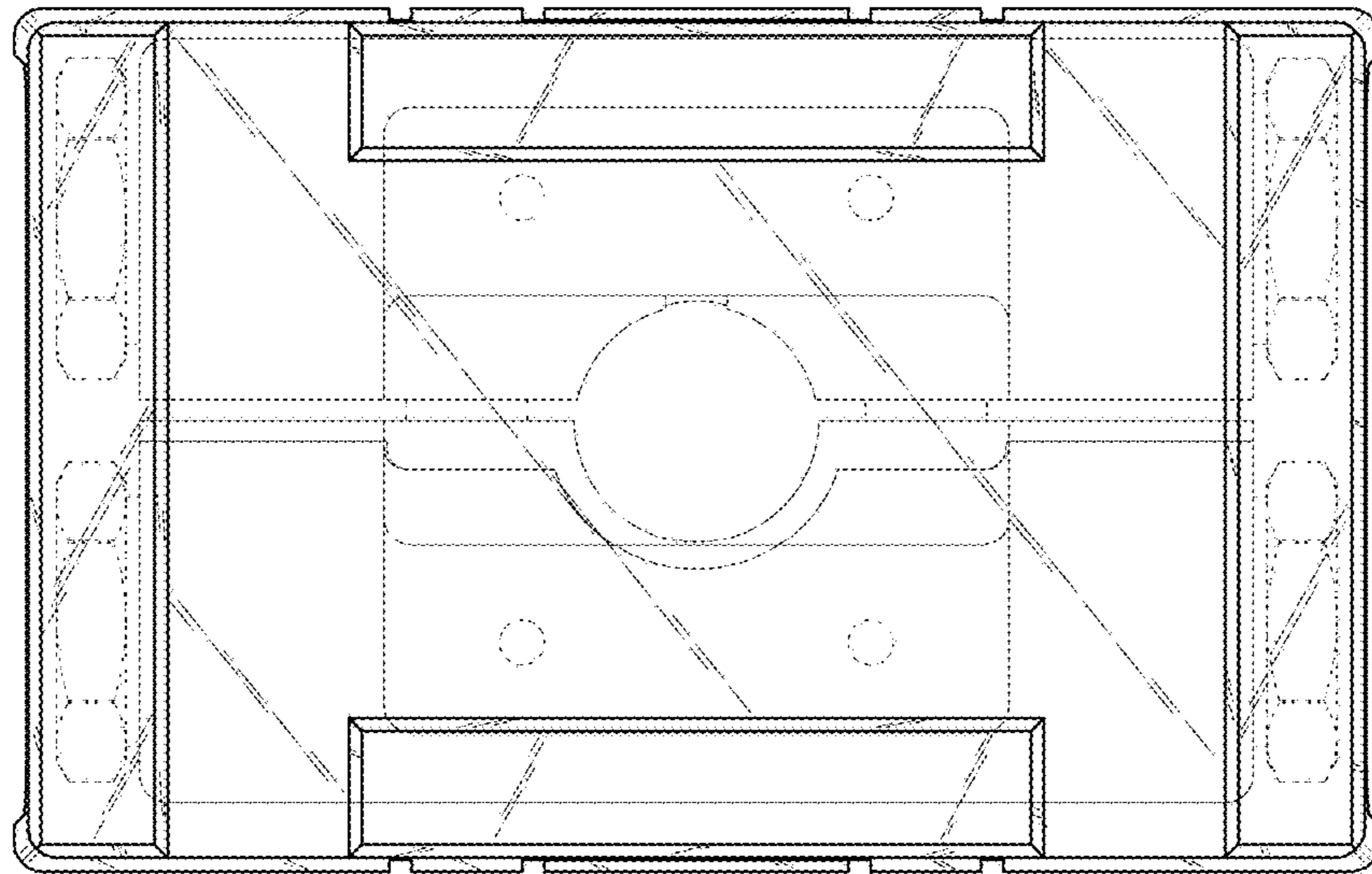


Fig. 3

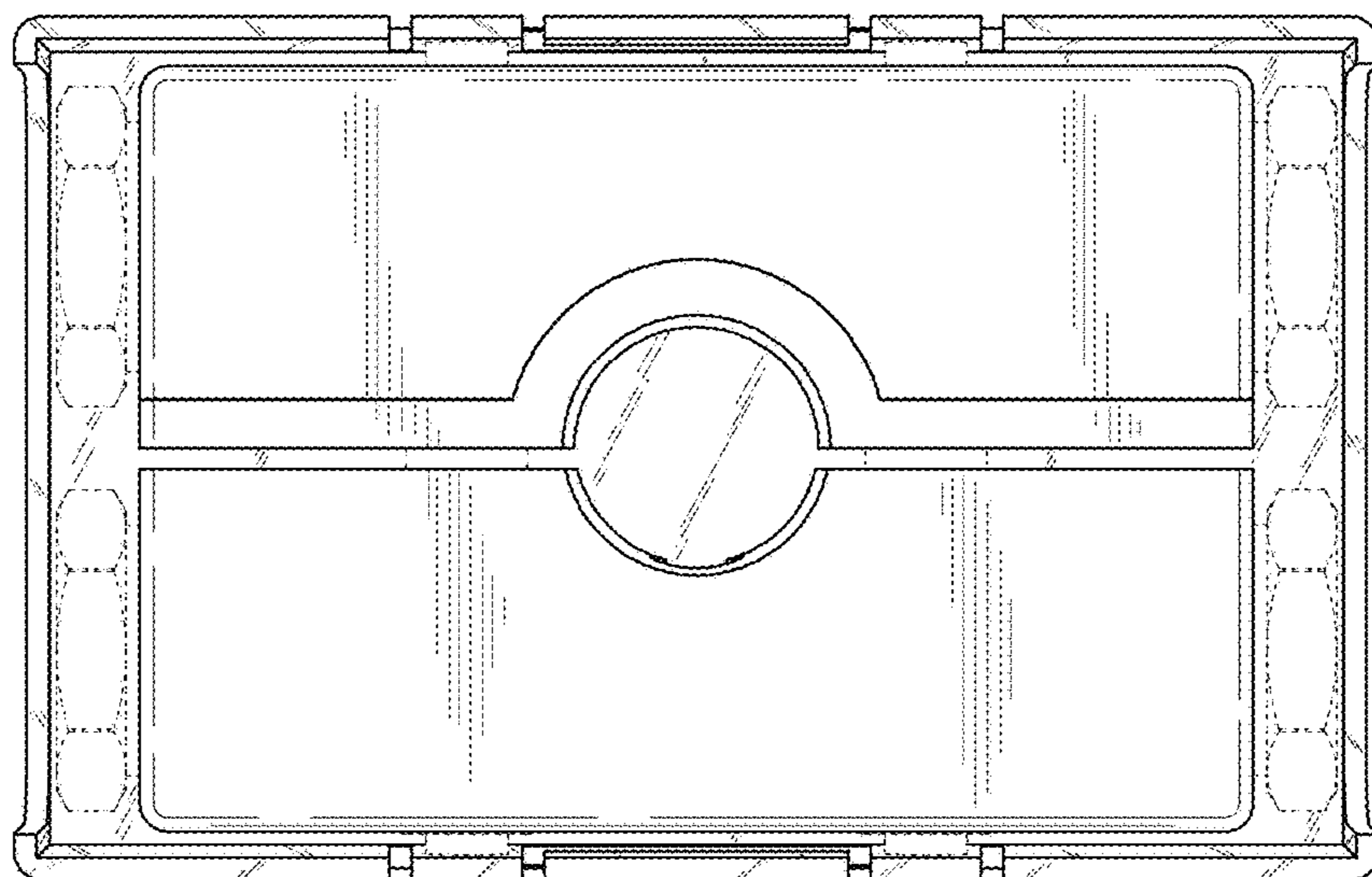


Fig. 4

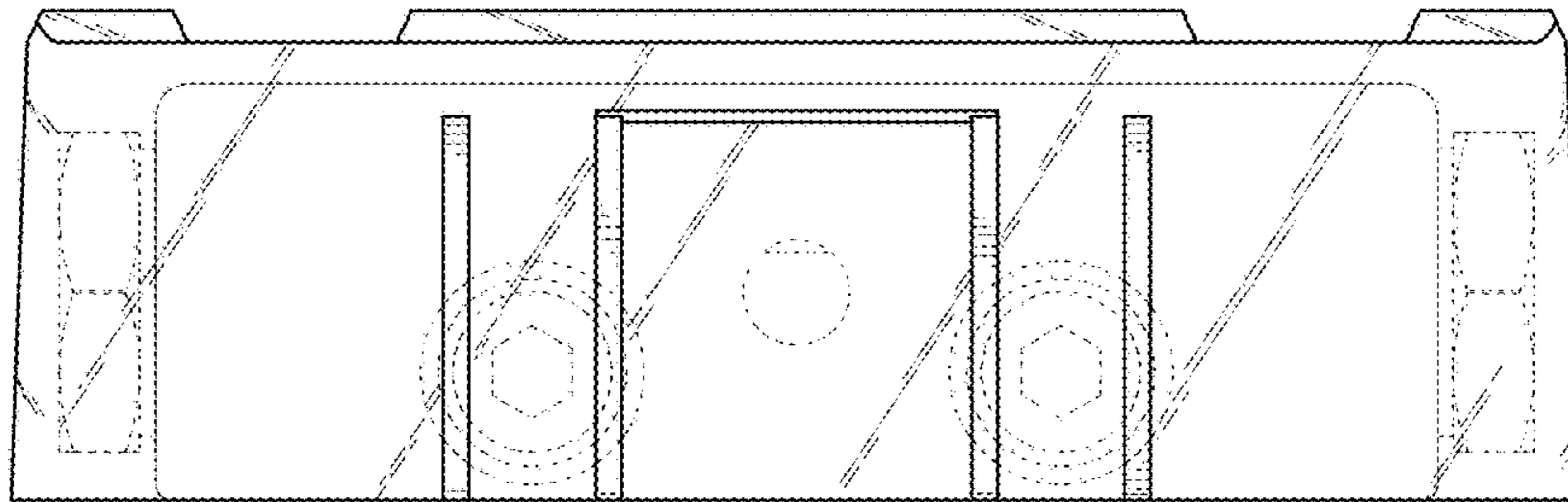


Fig. 5

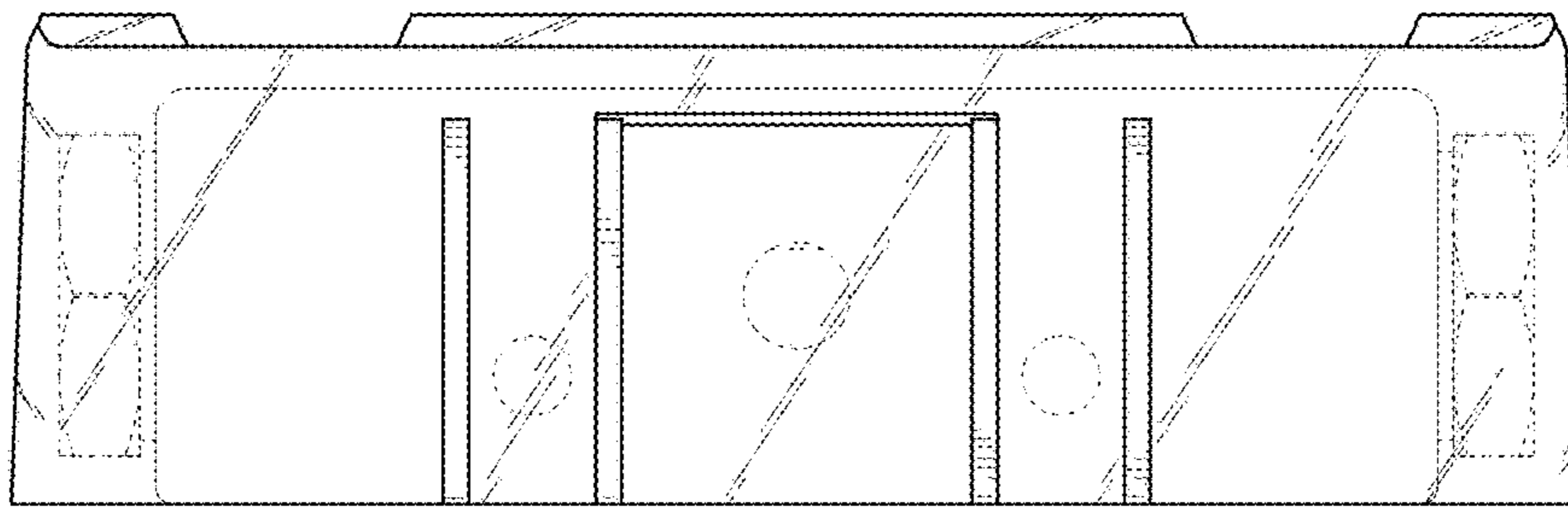


Fig. 6

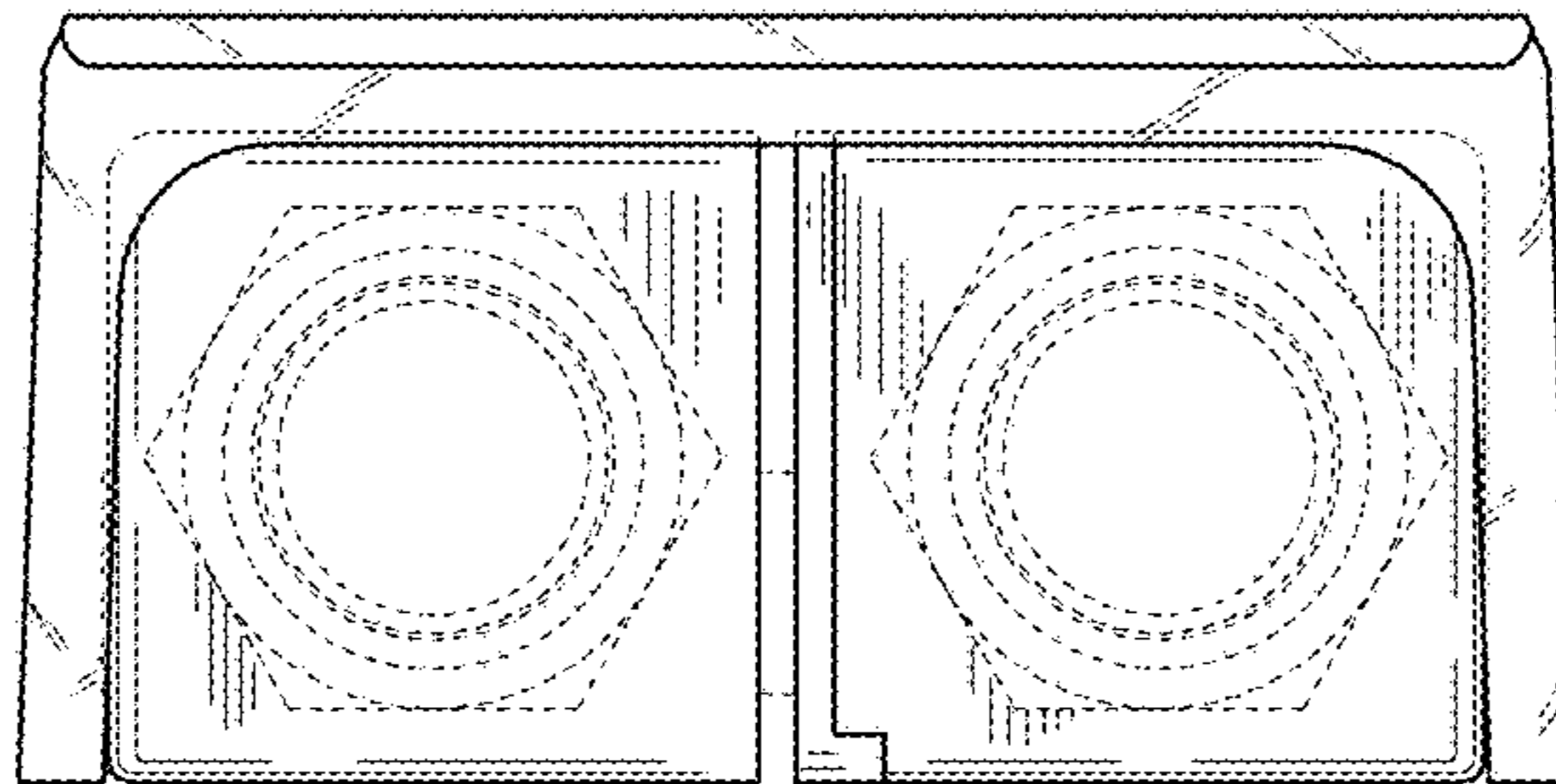


Fig. 7

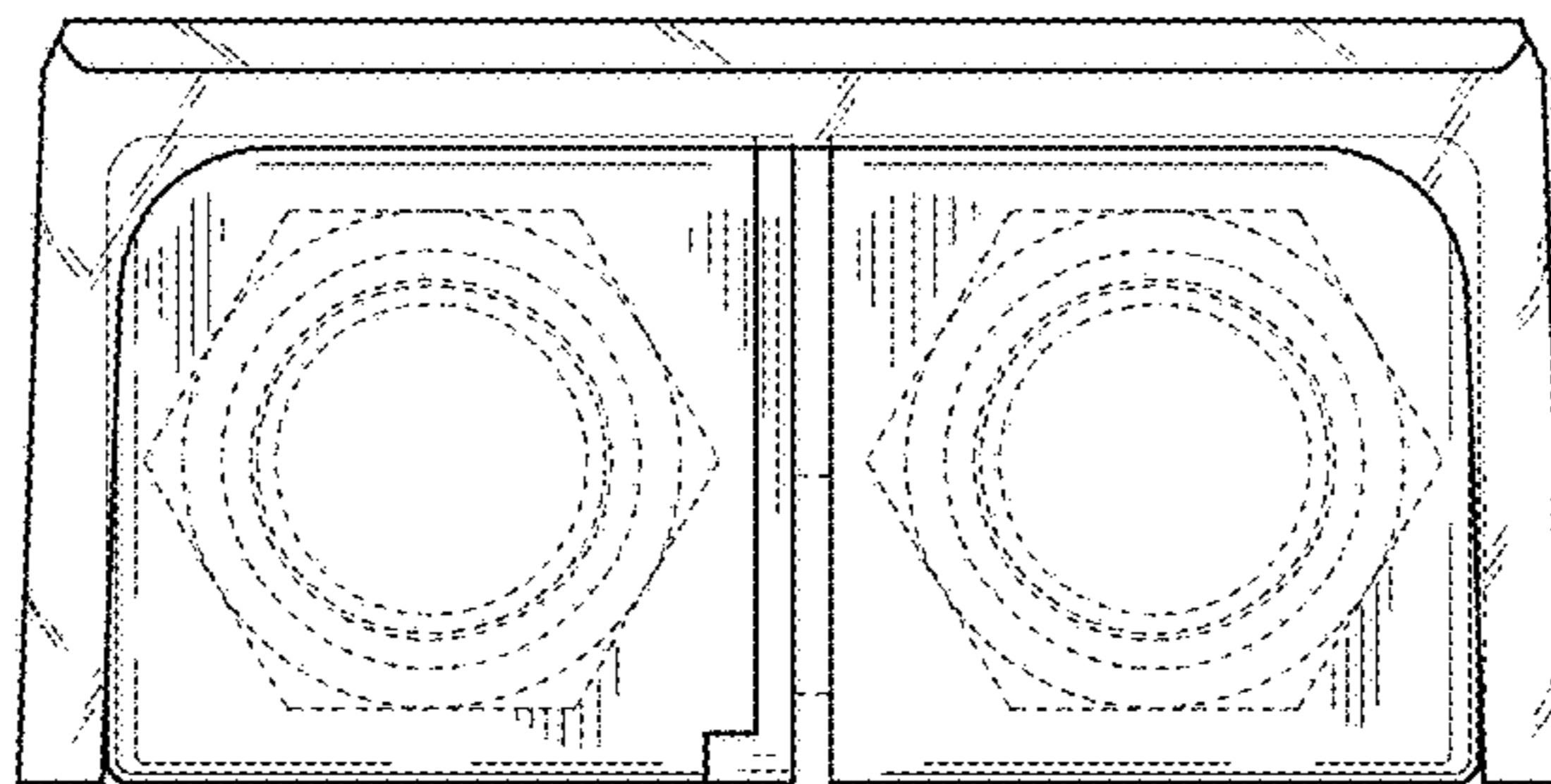


Fig. 8

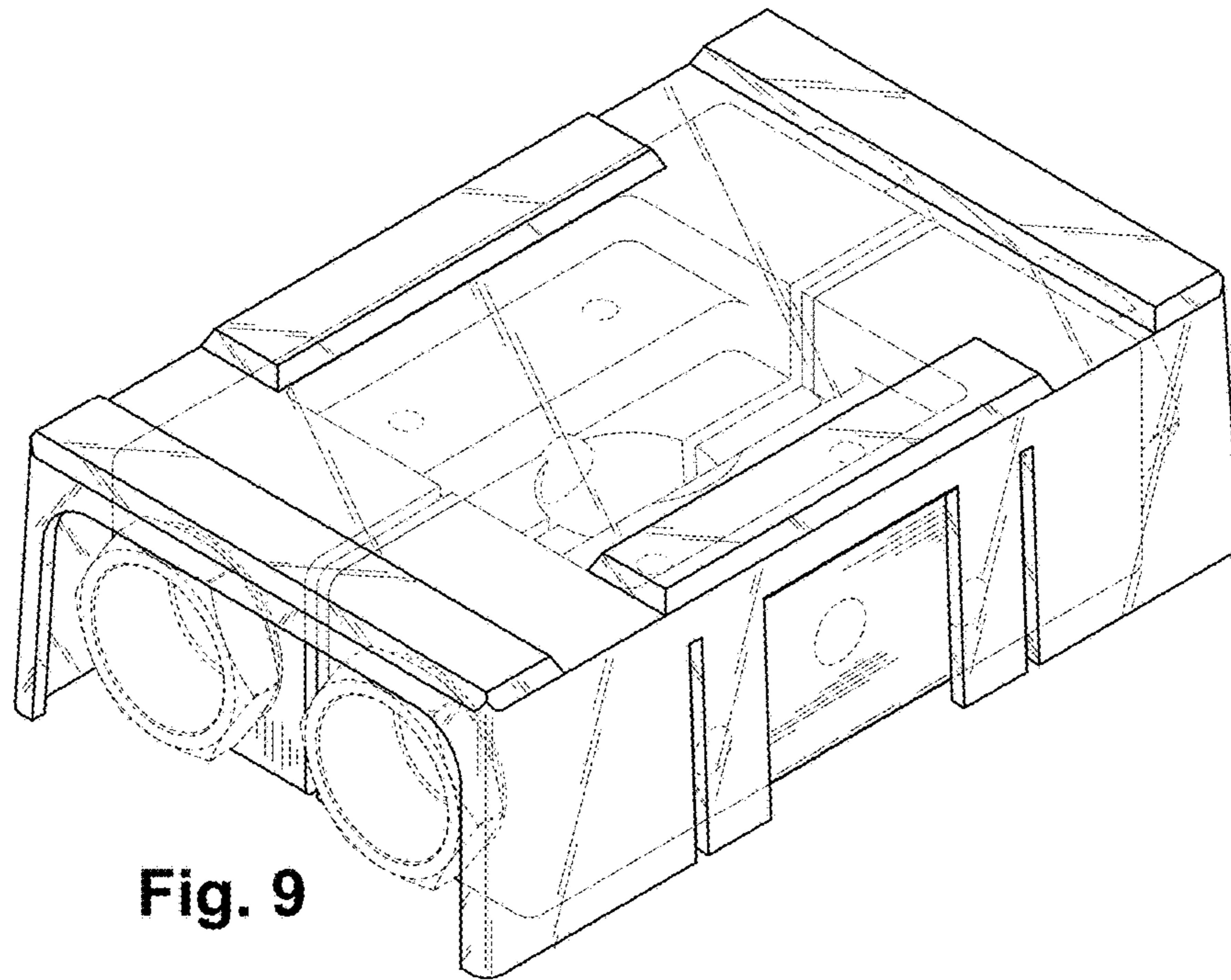


Fig. 9

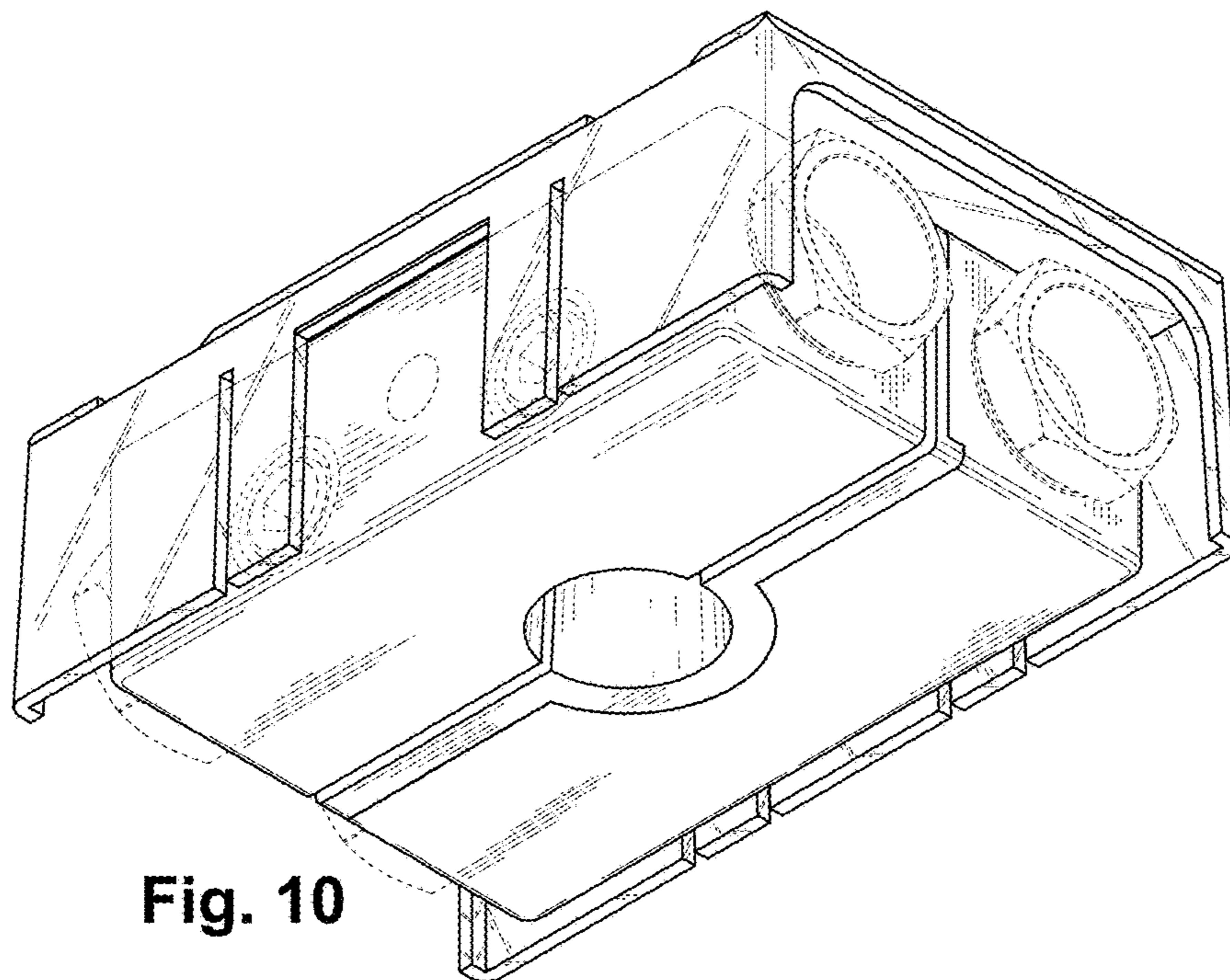


Fig. 10

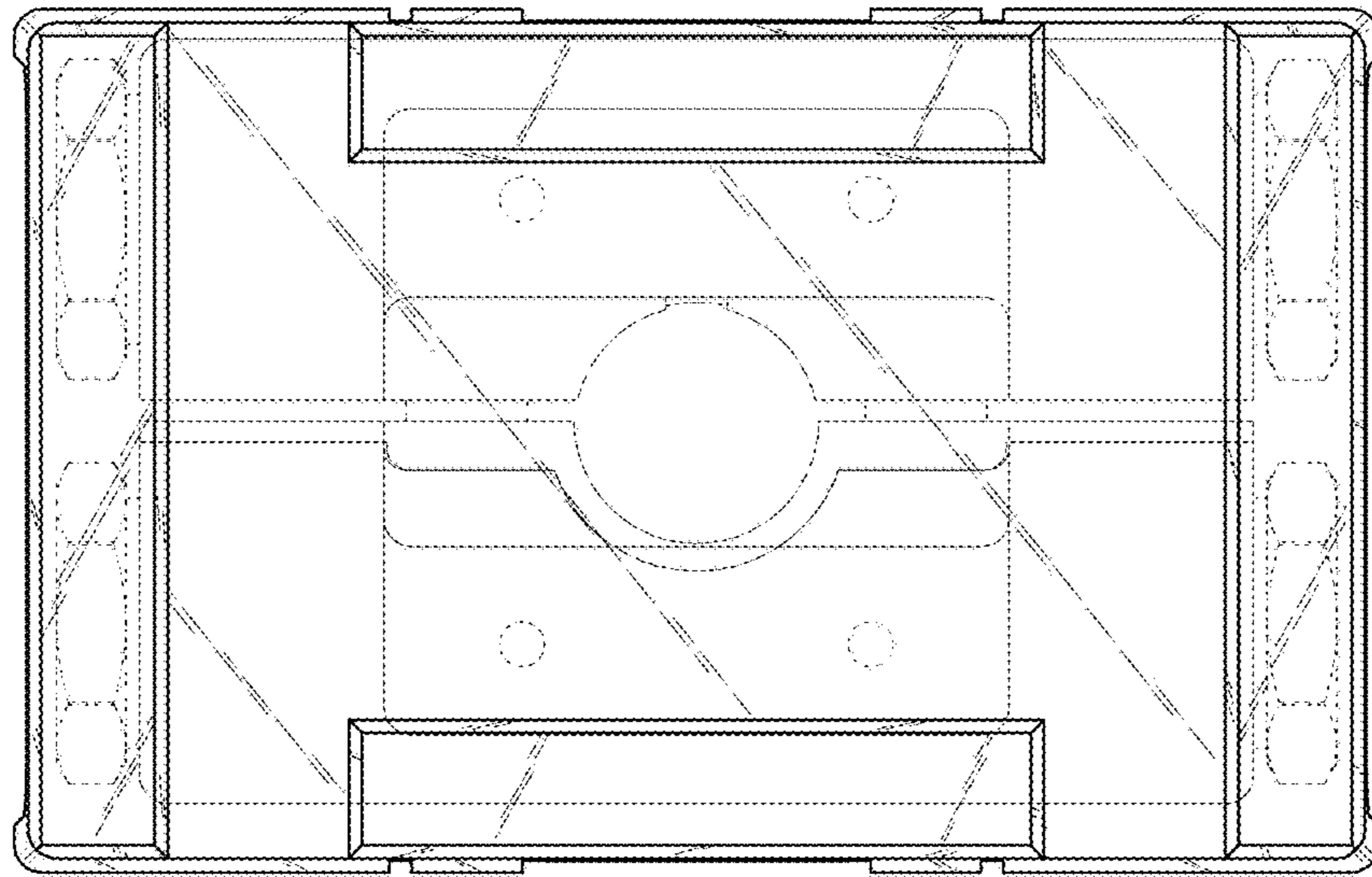


Fig. 11

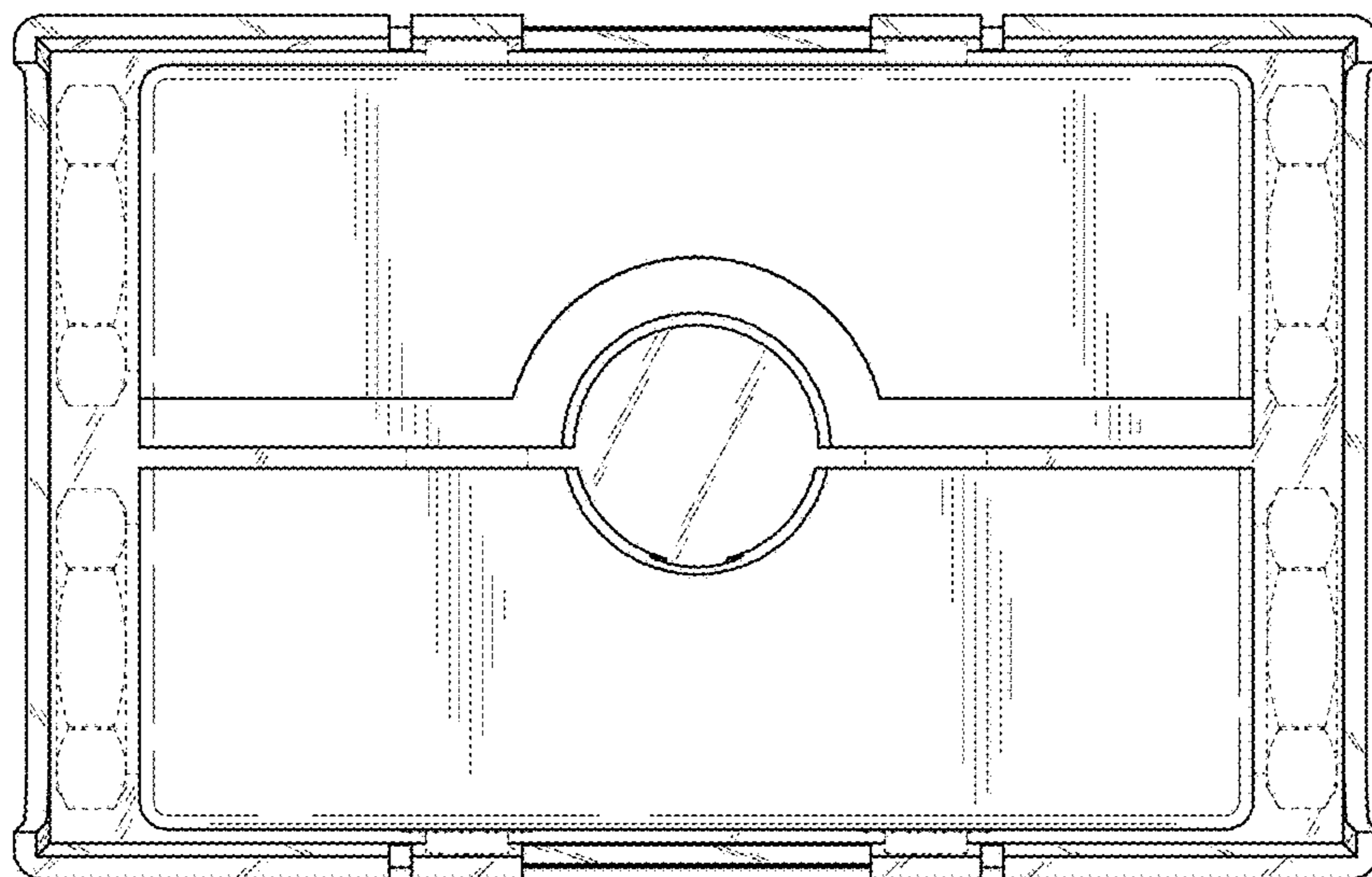


Fig. 12

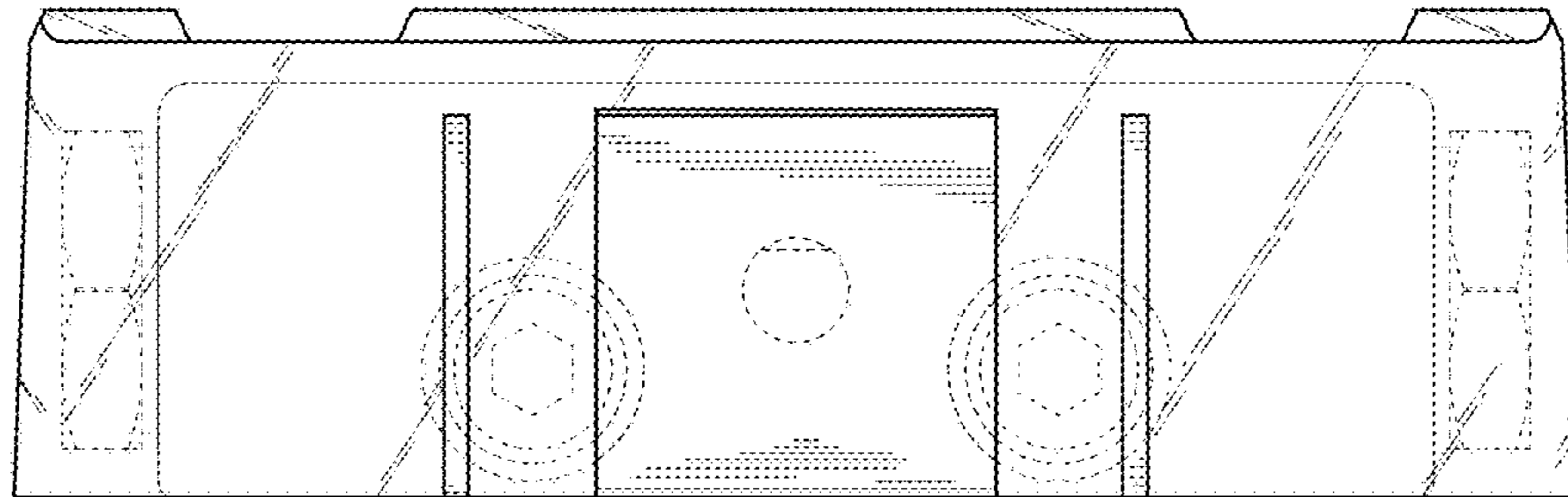


Fig. 13

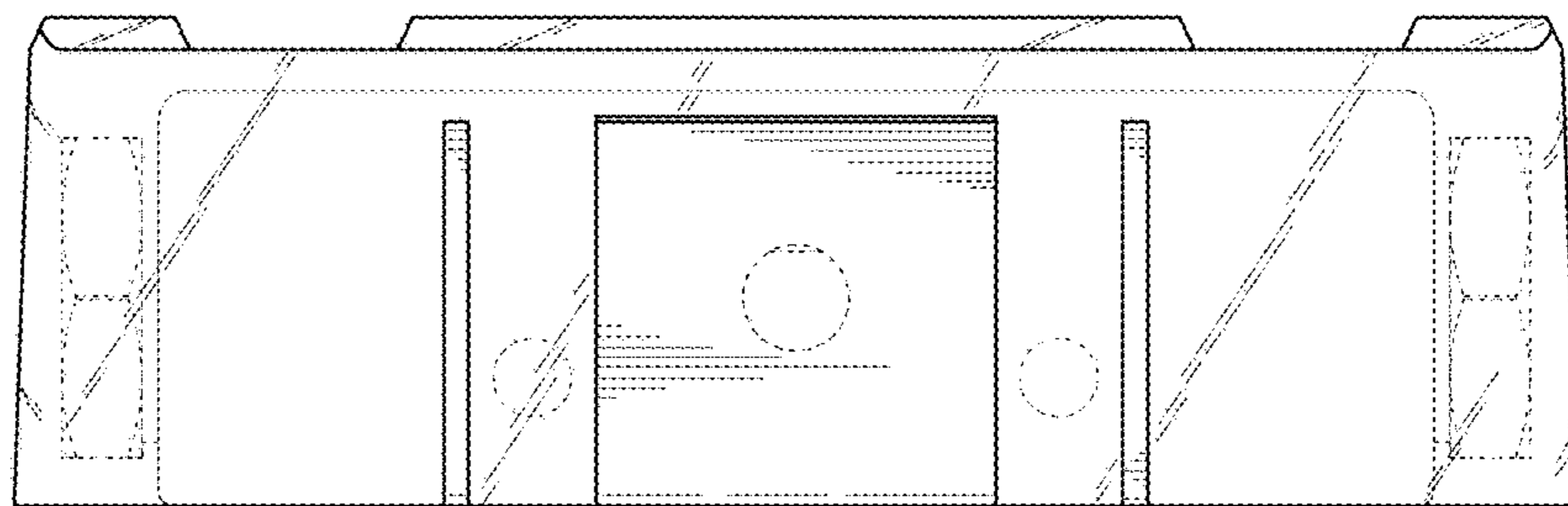


Fig. 14

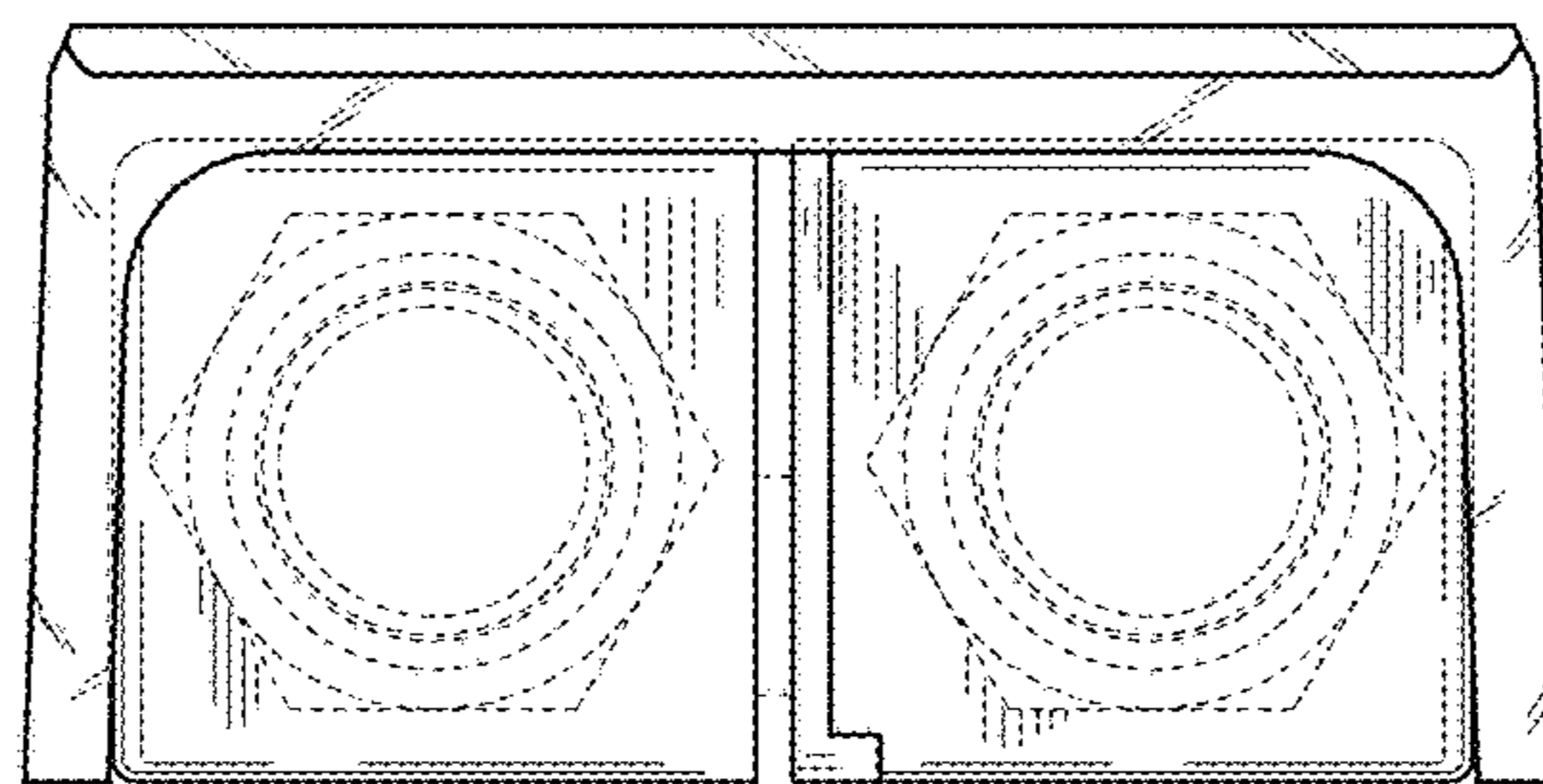


Fig. 15

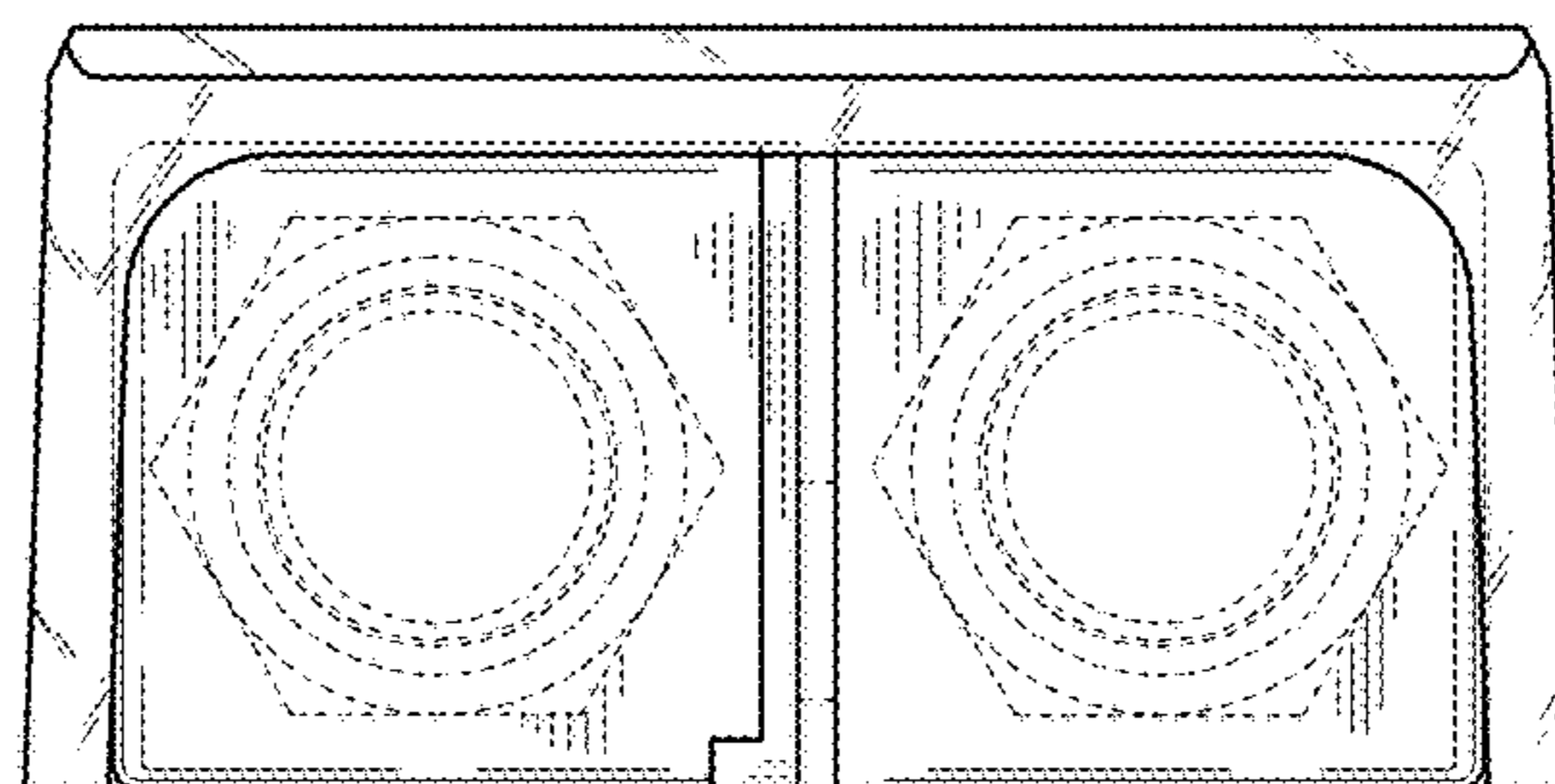


Fig. 16