



US00D864113S

(12) **United States Design Patent**
Zhang

(10) **Patent No.:** **US D864,113 S**

(45) **Date of Patent:** **** Oct. 22, 2019**

(54) **POWER INVERTER**

(71) Applicant: **Hua Zhang**, Shenzhen (CN)

(72) Inventor: **Hua Zhang**, Shenzhen (CN)

(**) Term: **15 Years**

(21) Appl. No.: **29/689,426**

(22) Filed: **Apr. 30, 2019**

(30) **Foreign Application Priority Data**

Apr. 10, 2019 (EM) 006374658-0001

(51) **LOC (12) Cl.** **13-02**

(52) **U.S. Cl.**

USPC **D13/110**

(58) **Field of Classification Search**

USPC D13/110, 108, 118, 123, 162, 168, 169,
D13/174, 177, 184, 199; D14/257, 432,
D14/438; 174/16.3, 17 R, 17.08;
361/600, 601, 690, 694, 695, 679.01,
361/679.61, 704, 730; 363/141, 142

CPC H05K 5/00; H05K 5/02; H05K 5/0247;
H05K 7/00; H05K 7/20; H05K 7/20136;
H05K 7/20154; H05K 7/209; H05K
7/0042; H05K 7/20854; H02M 7/00;
H02M 7/003; H02M 2001/009; H02J
7/0042; Y10T 307/367

See application file for complete search history.

(56) **References Cited**

U.S. PATENT DOCUMENTS

D332,443 S * 1/1993 Sharpe D13/184
5,521,792 A * 5/1996 Pleitz H05K 7/20854
361/690
D401,216 S * 11/1998 Person D13/110
5,909,358 A * 6/1999 Bradt H01L 23/4093
257/726
D413,567 S * 9/1999 Person D13/110

5,949,640 A * 9/1999 Cameron H05K 5/0247
361/600
D427,146 S * 6/2000 Wei D13/110
D427,147 S * 6/2000 Wei D13/110
D551,621 S * 9/2007 Iacovelli D13/110
D561,688 S 2/2008 Hussaini et al.
7,483,272 B2 * 1/2009 Hussaini H02J 7/0042
174/50
D633,441 S 3/2011 Ishimaru et al.
D705,729 S 5/2014 Inskeep
D805,473 S * 12/2017 Montgomery D13/110

OTHER PUBLICATIONS

<https://www.amazon.com/MoKo-1000W-Car-Power-Modified-Sine-Wave-Inverter-3-AC-Outlets-DC-12V-to-110V-AC-Adapter-Battery-Charger-for-Disaster-Relief-Emergency-Use-Household-Appliances-in-Hurricane-Storm-Outage-Black-Mar-19-2017-Year-2017>.*

* cited by examiner

Primary Examiner — Derrick E Holland

(57) **CLAIM**

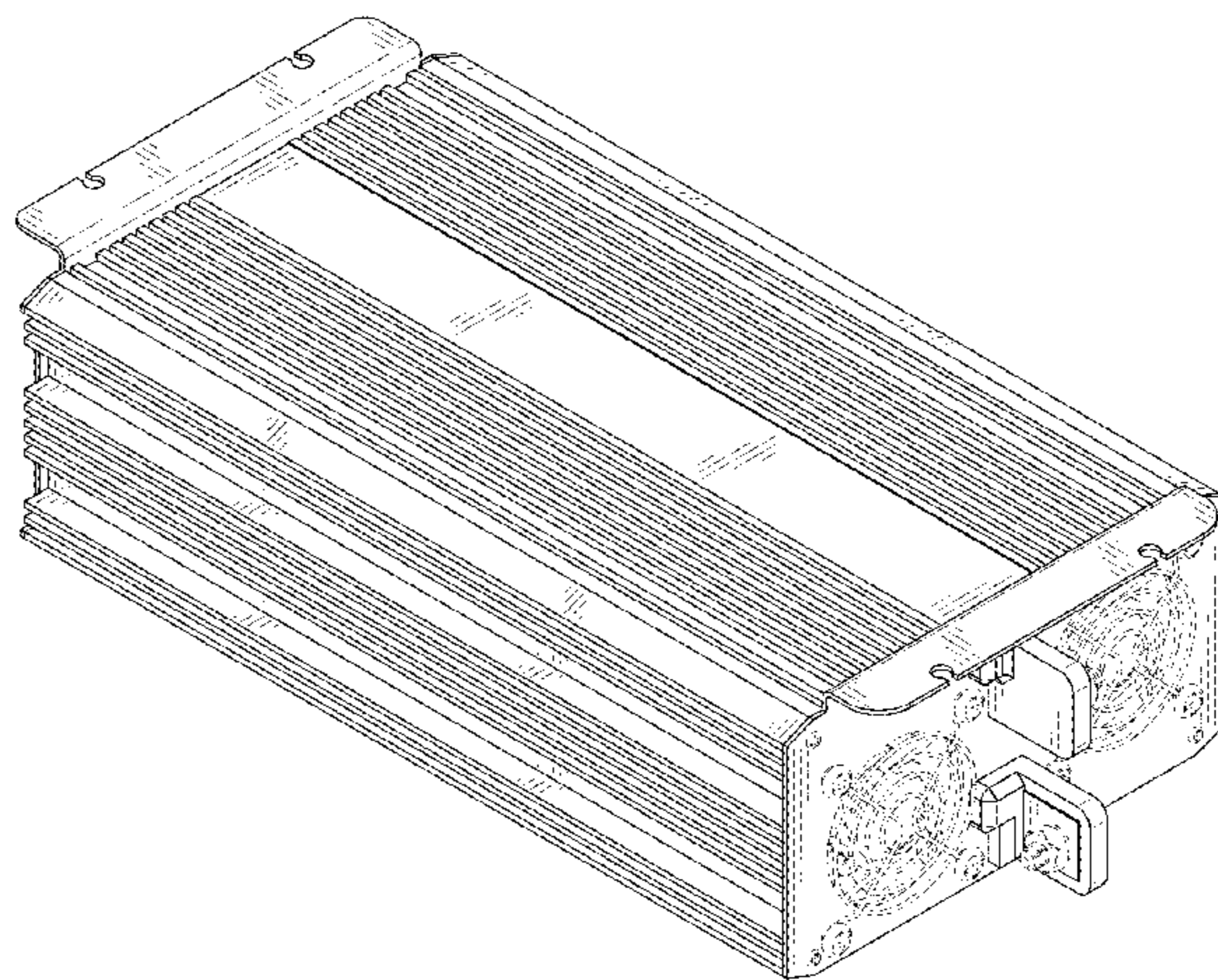
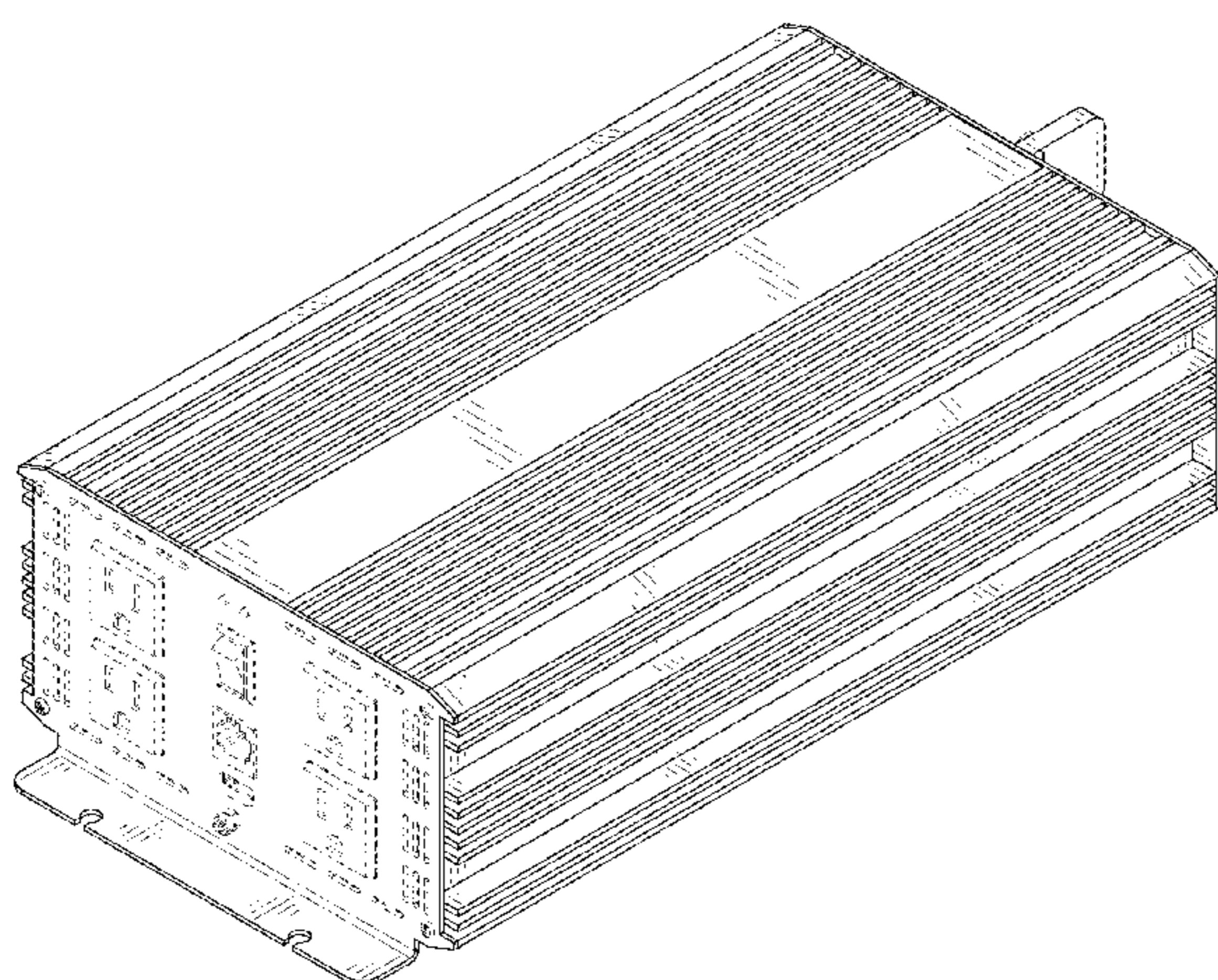
The ornamental design for a power inverter, as shown and described.

DESCRIPTION

FIG. 1 is a first perspective view of a power inverter showing my design;
FIG. 2 is a second perspective view thereof;
FIG. 3 is a front view thereof;
FIG. 4 is a back view thereof;
FIG. 5 is a left side view thereof;
FIG. 6 is a right side view thereof;
FIG. 7 is a top view thereof; and,
FIG. 8 is a bottom view thereof.

The broken lines shown in the drawings depict portions of the power inverter in which the design is embodied that form no part of the claimed design.

1 Claim, 8 Drawing Sheets



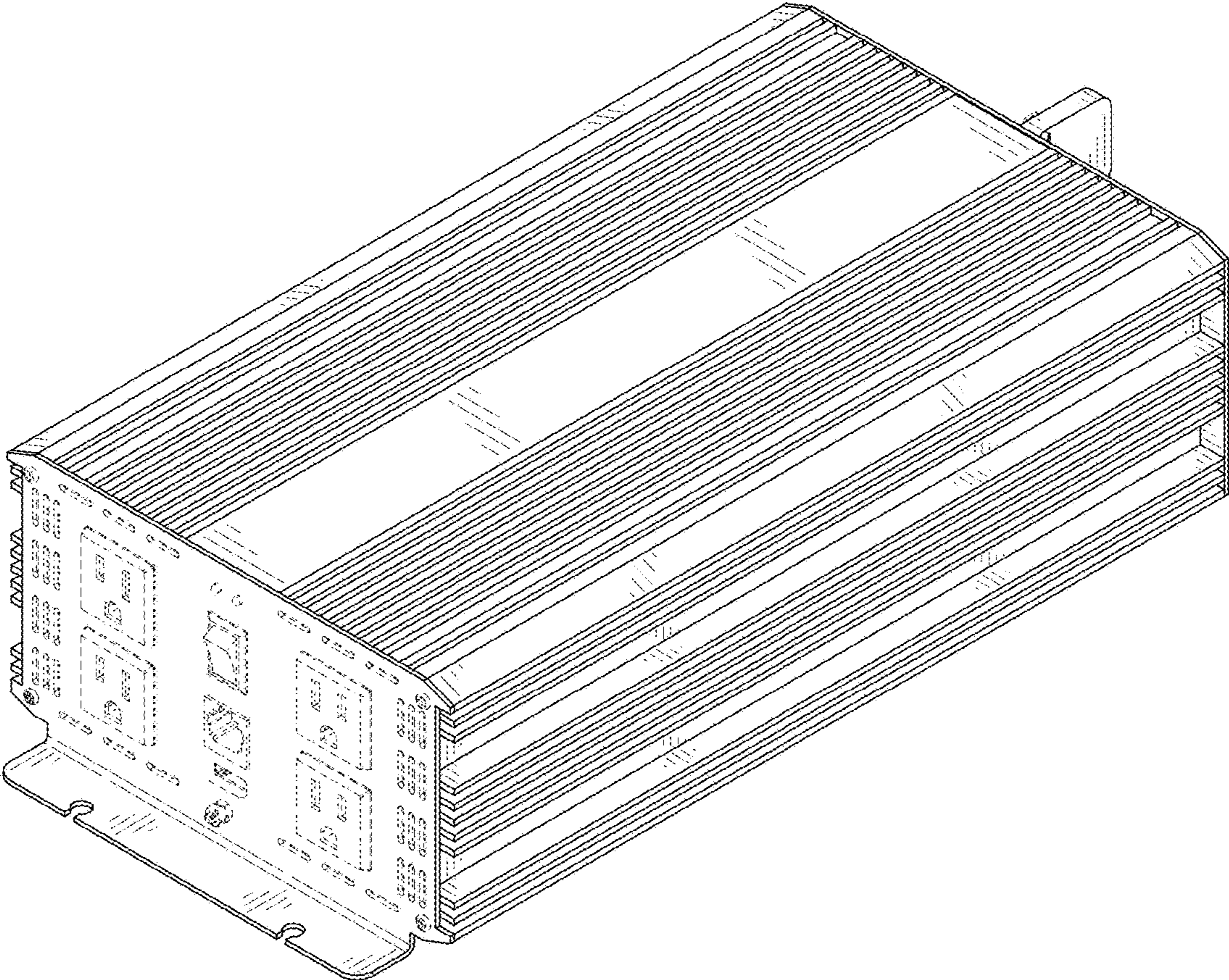


FIG. 1

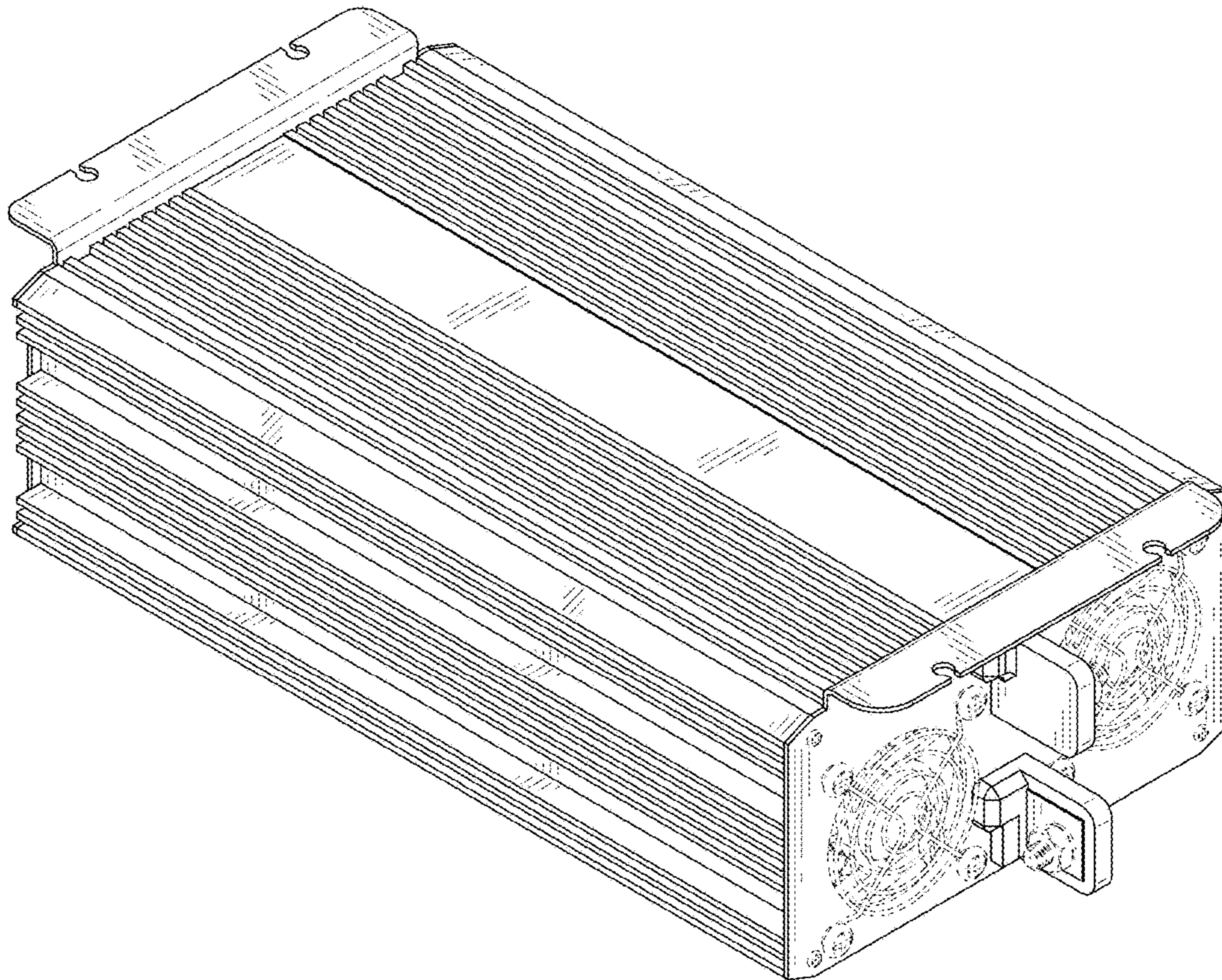


FIG. 2

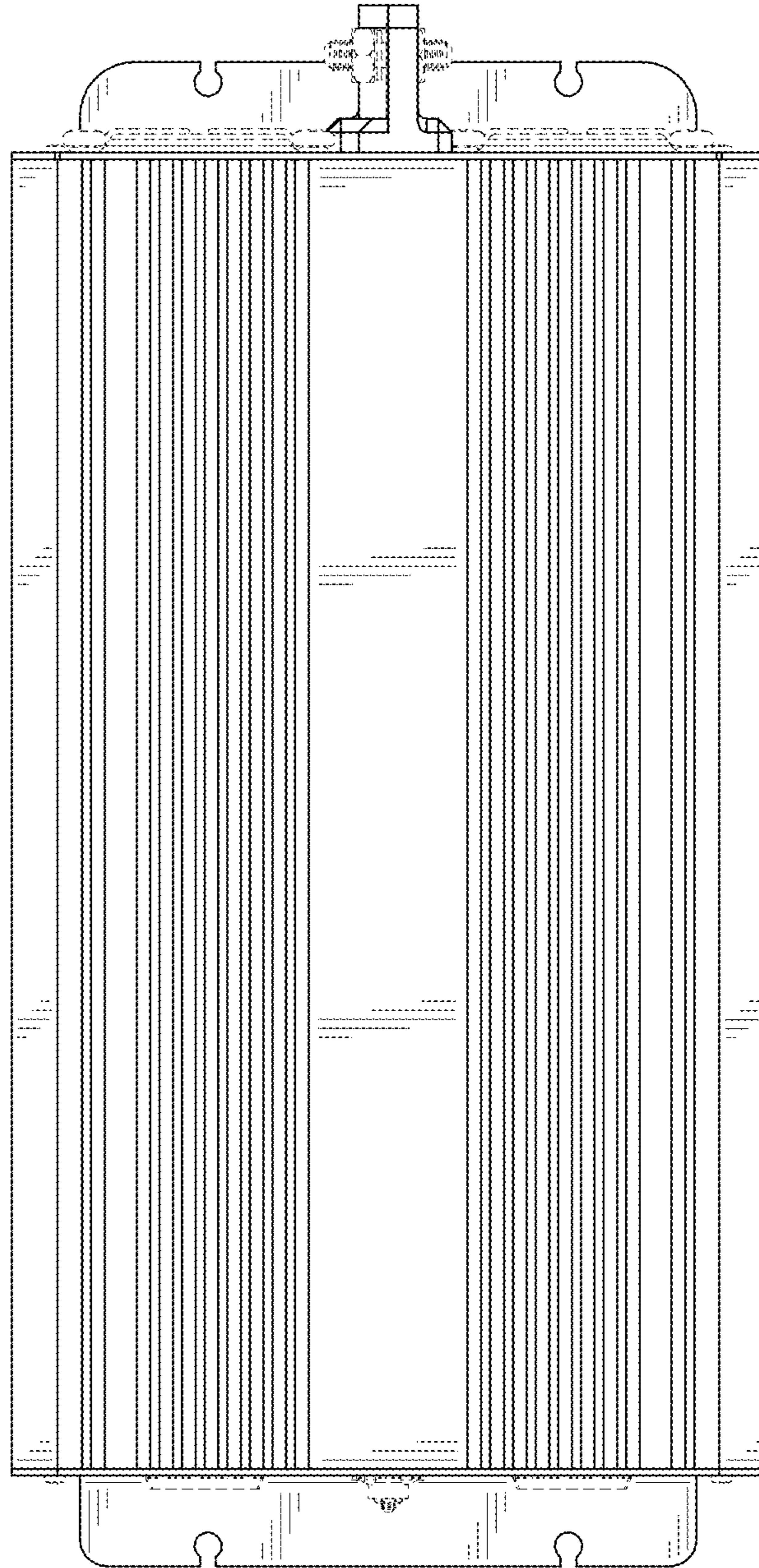


FIG. 3

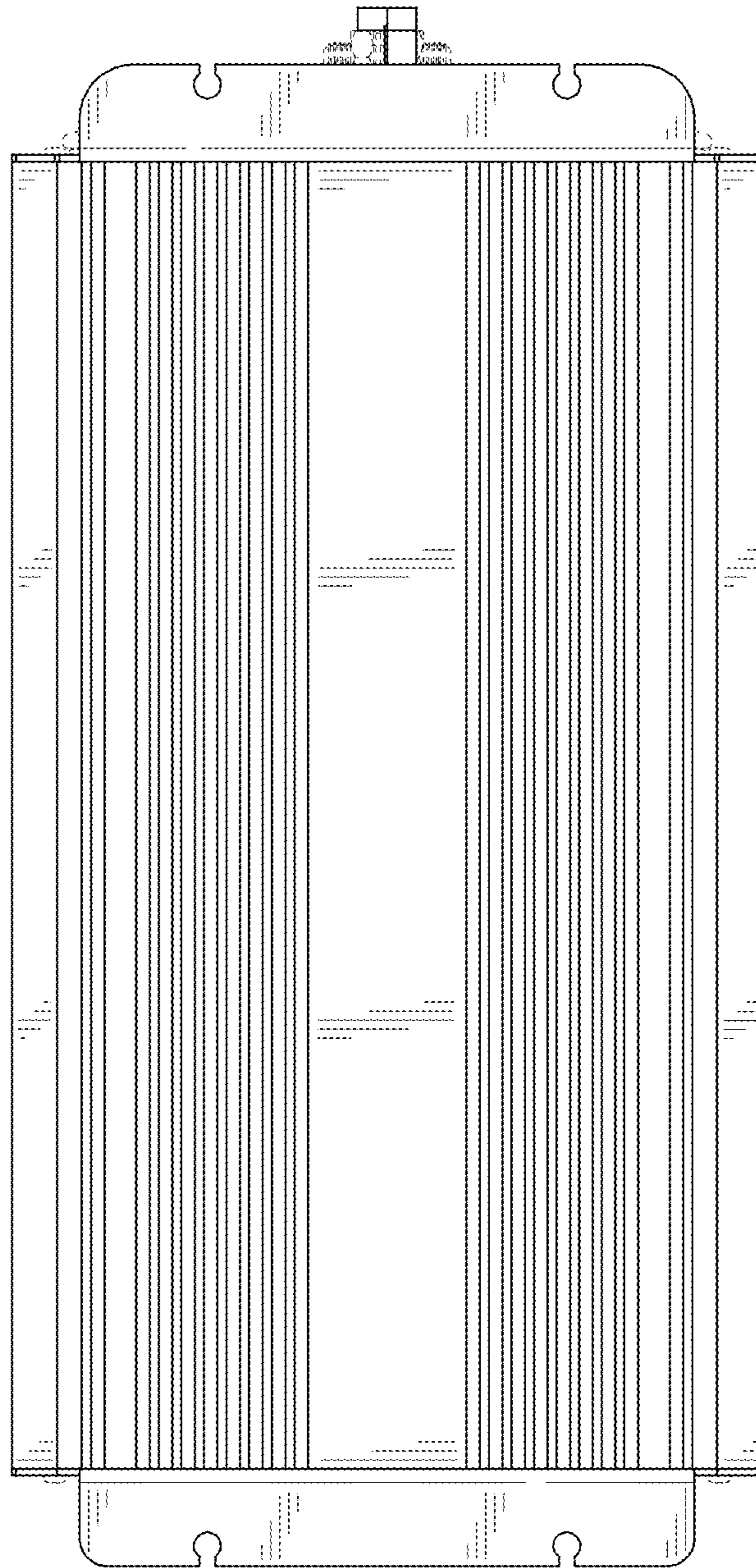


FIG. 4

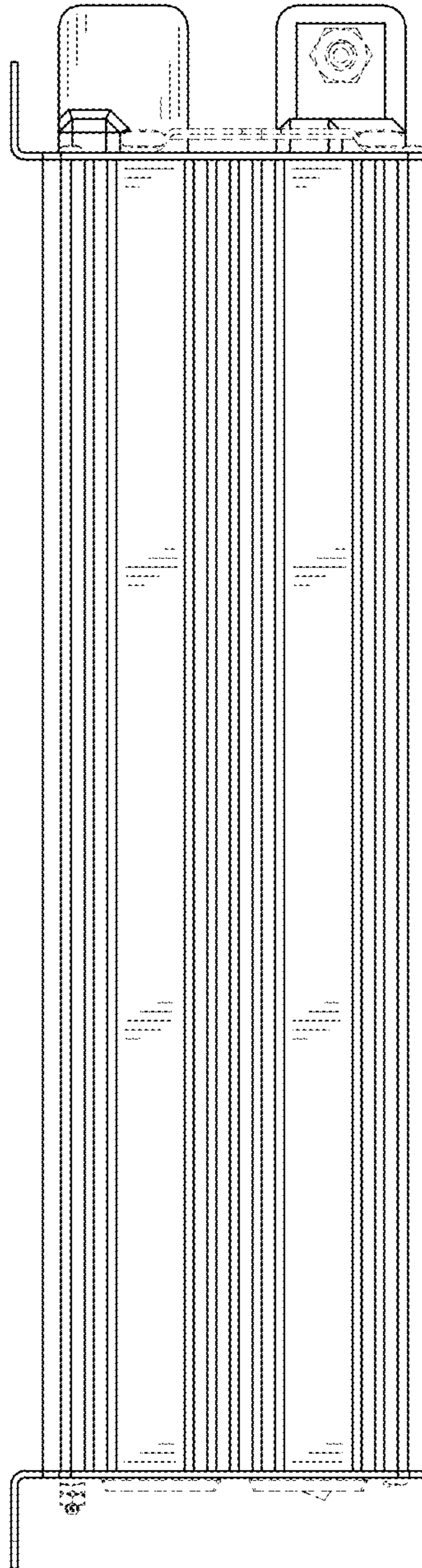


FIG. 5

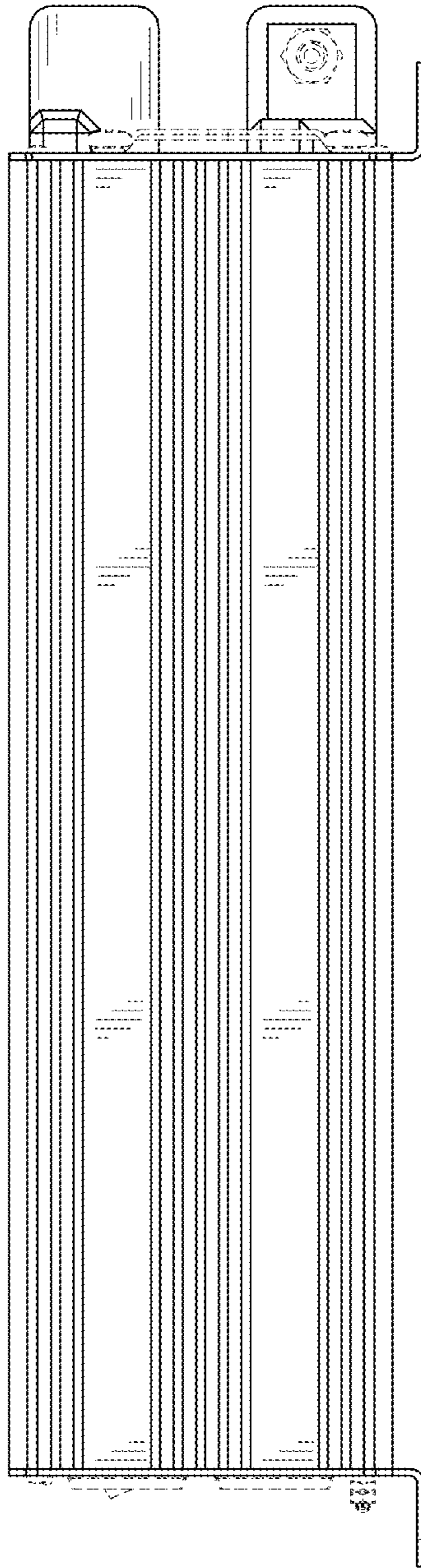


FIG. 6

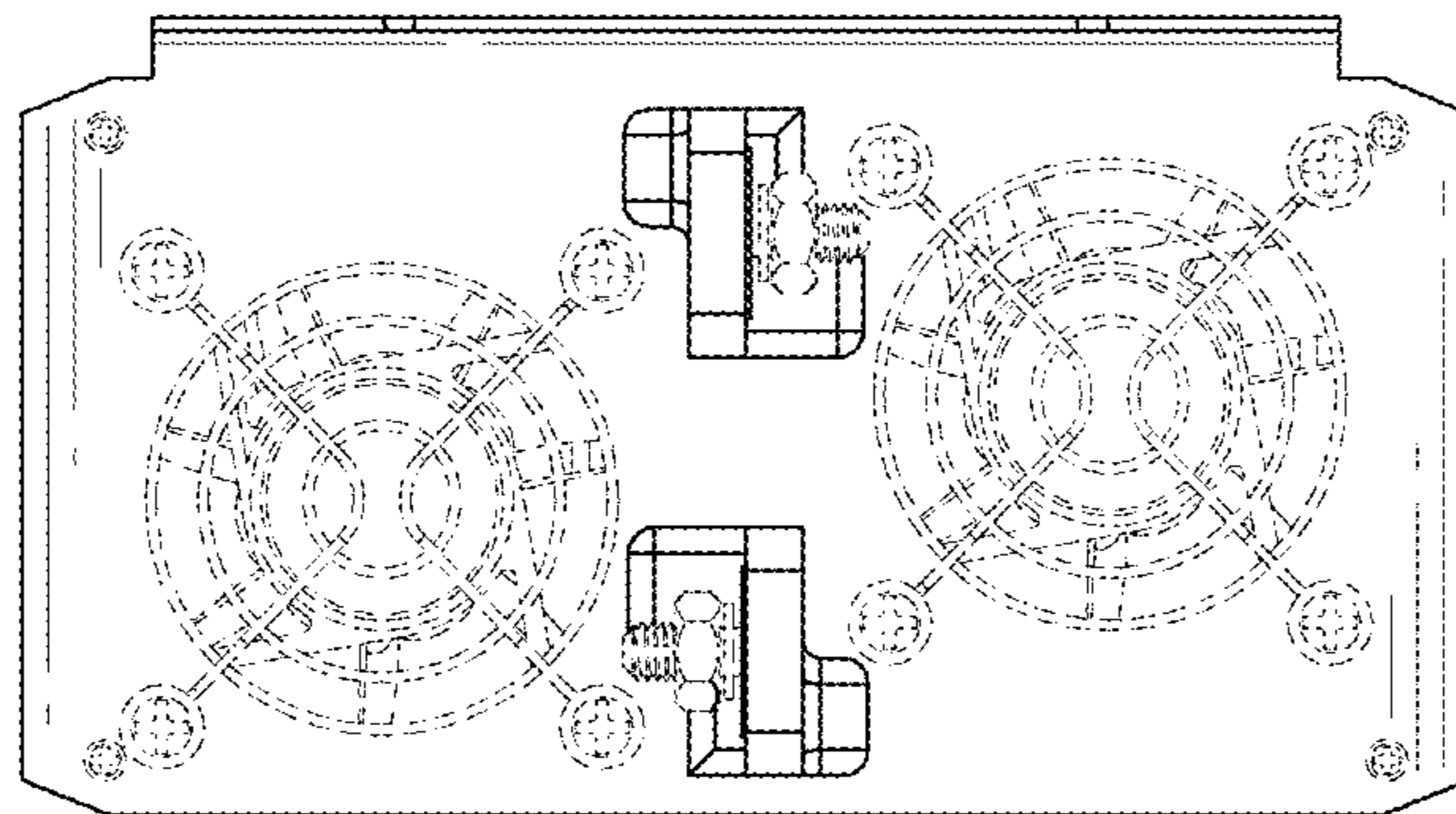


FIG. 7

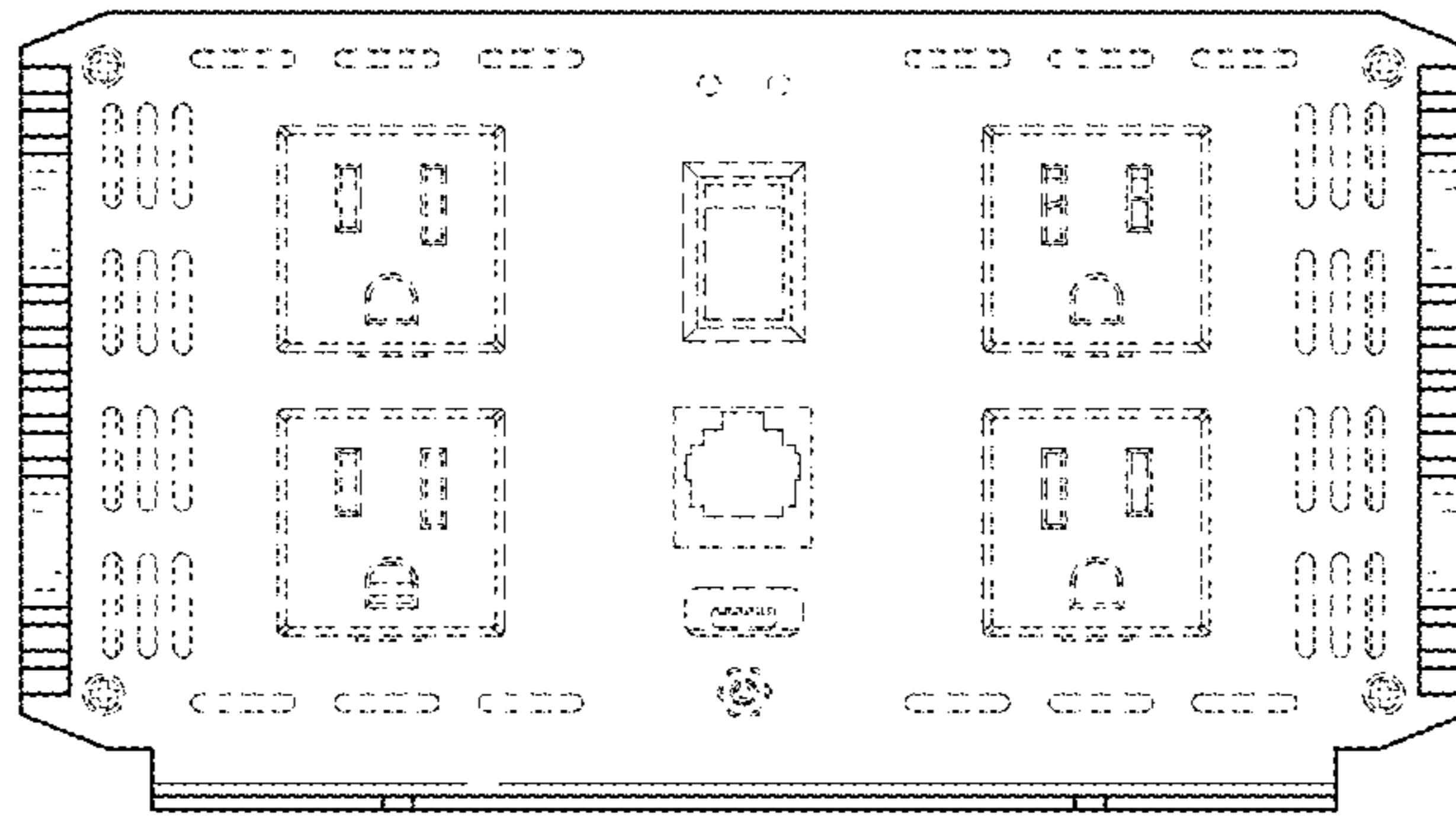


FIG. 8