

US00D864110S

(12) **United States Design Patent**
Yoshimura

(10) **Patent No.:** **US D864,110 S**

(45) **Date of Patent:** **** Oct. 22, 2019**

(54) **BATTERY CHARGER FOR EARPHONE**

(71) Applicant: **JVC KENWOOD Corporation**,
Yokohama-shi, Kanagawa (JP)

(72) Inventor: **Satoshi Yoshimura**, Yokohama (JP)

(73) Assignee: **JVC KENWOOD Corporation**,
Yokohama-shi (JP)

(**) Term: **15 Years**

(21) Appl. No.: **29/636,382**

(22) Filed: **Feb. 8, 2018**

(30) **Foreign Application Priority Data**

Aug. 10, 2017 (JP) 2017-017409

(51) **LOC (12) Cl.** **13-02**

(52) **U.S. Cl.**
USPC **D13/108; D3/294**

(58) **Field of Classification Search**

USPC D13/107-108, 103, 105, 110, 119;
D14/447, 253, 434, 224, 217, 238.1, 251,
D14/240, 149, 358, 223; D3/294, 218,
D3/201, 298, 299; D9/721

CPC .. H02J 7/004; H02J 7/044; H02J 7/045; H02J
2007/0062; H02J 7/0054; H02J 7/0055;
H04R 1/1025

See application file for complete search history.

(56) **References Cited**

U.S. PATENT DOCUMENTS

D529,288 S * 10/2006 Ham D3/294
D553,077 S * 10/2007 Kim D13/108
D572,654 S * 7/2008 Kang D13/107
D604,501 S * 11/2009 Lee D3/201
D691,372 S * 10/2013 Chun D3/294
D722,264 S * 2/2015 Saideh D9/721

(Continued)

Primary Examiner — Brett Miller

(74) *Attorney, Agent, or Firm* — Amin, Turocy & Watson
LLP

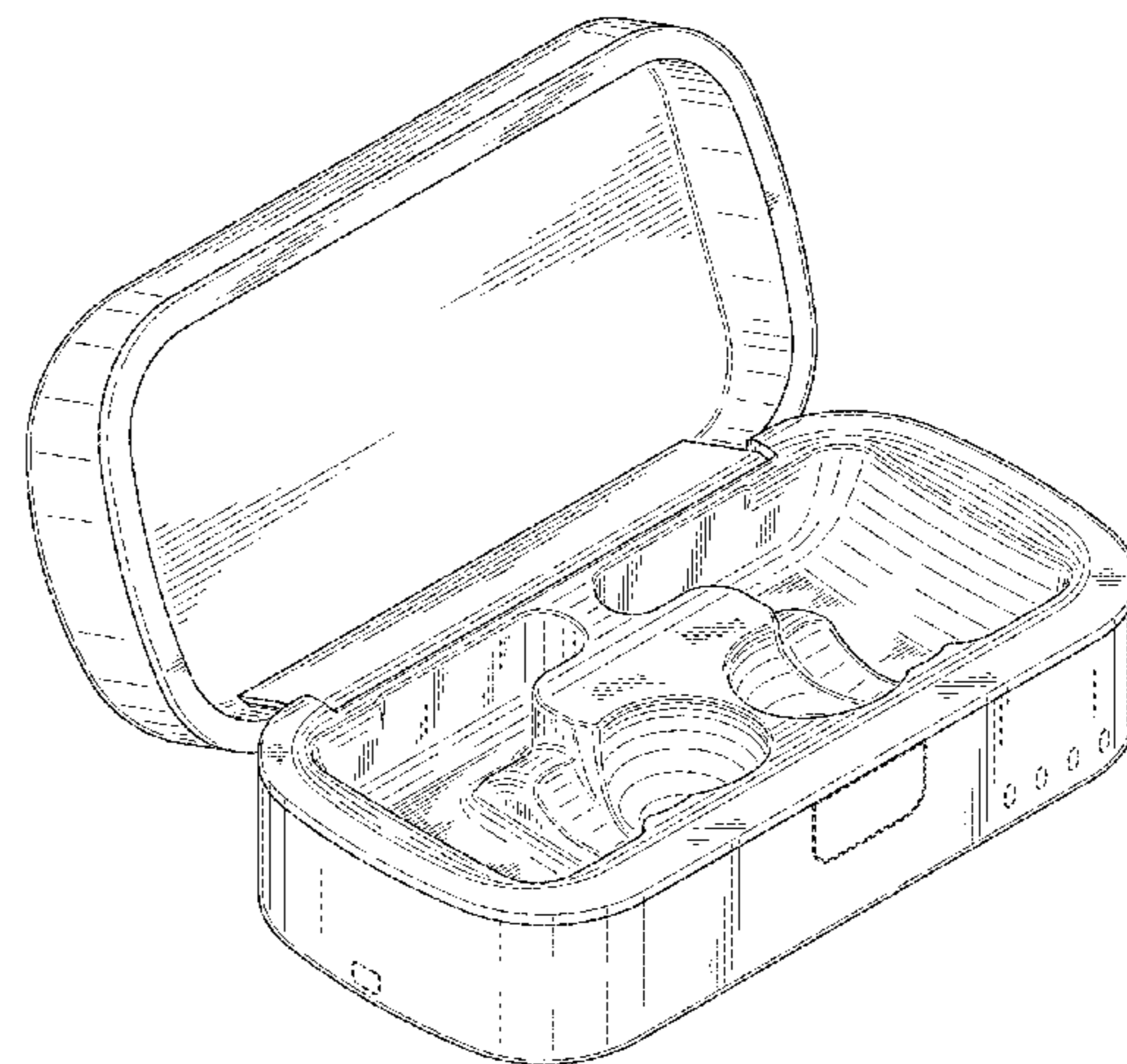
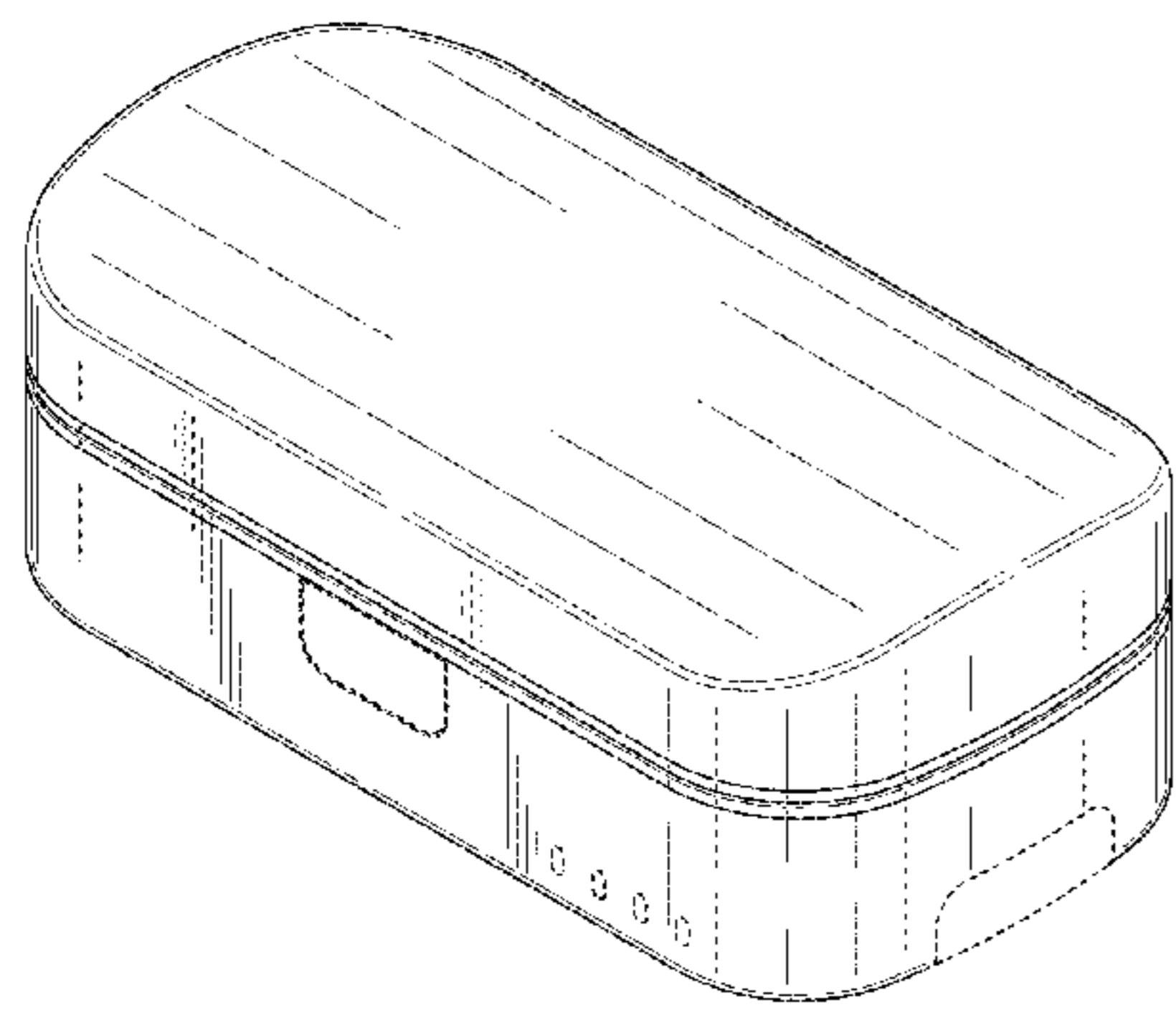
(57) **CLAIM**

The ornamental design for a battery charger for earphone, as
shown and described.

DESCRIPTION

FIG. 1 is a front, top and right-side perspective view of a
battery charger for earphone showing my new design;
FIG. 2 is a front, top and left-side perspective view thereof;
FIG. 3 is a front elevational view thereof;
FIG. 4 is a rear elevational view thereof;
FIG. 5 is a top plan view thereof;
FIG. 6 is a bottom plan view thereof;
FIG. 7 is a right-side elevational view thereof;
FIG. 8 is a left-side elevational view thereof;
FIG. 9 is a front, top and right-side perspective view
showing the state that the lid is opened thereof;
FIG. 10 is a front, top and left-side perspective view
showing the state that the lid is opened thereof;
FIG. 11 is a front elevational view showing the state that the
lid is opened thereof;
FIG. 12 is a rear elevational view showing the state that the
lid is opened thereof;
FIG. 13 is a top plan view showing the state that the lid is
opened thereof;
FIG. 14 is a bottom plan view showing the state that the lid
is opened thereof;
FIG. 15 is a right-side elevational view showing the state
that the lid is opened thereof;
FIG. 16 is a left-side elevational view thereof showing a
state in which the lid is opened; and,
FIG. 17 is a reference view thereof showing a state of use.
The broken lines of the drawings represent portions of the
battery charger for earphone that are not part of the claimed
design.

1 Claim, 14 Drawing Sheets



(56)

References Cited

U.S. PATENT DOCUMENTS

D723,792 S * 3/2015 Anderson D3/201
D775,818 S * 1/2017 Ingraham D3/294
D841,580 S * 2/2019 Bao D13/108
D843,937 S * 3/2019 Xiao D13/108
2008/0090622 A1* 4/2008 Kim H02J 7/0044
455/573
2018/0014436 A1* 1/2018 Milevski H04R 1/1025

* cited by examiner

FIG. 1

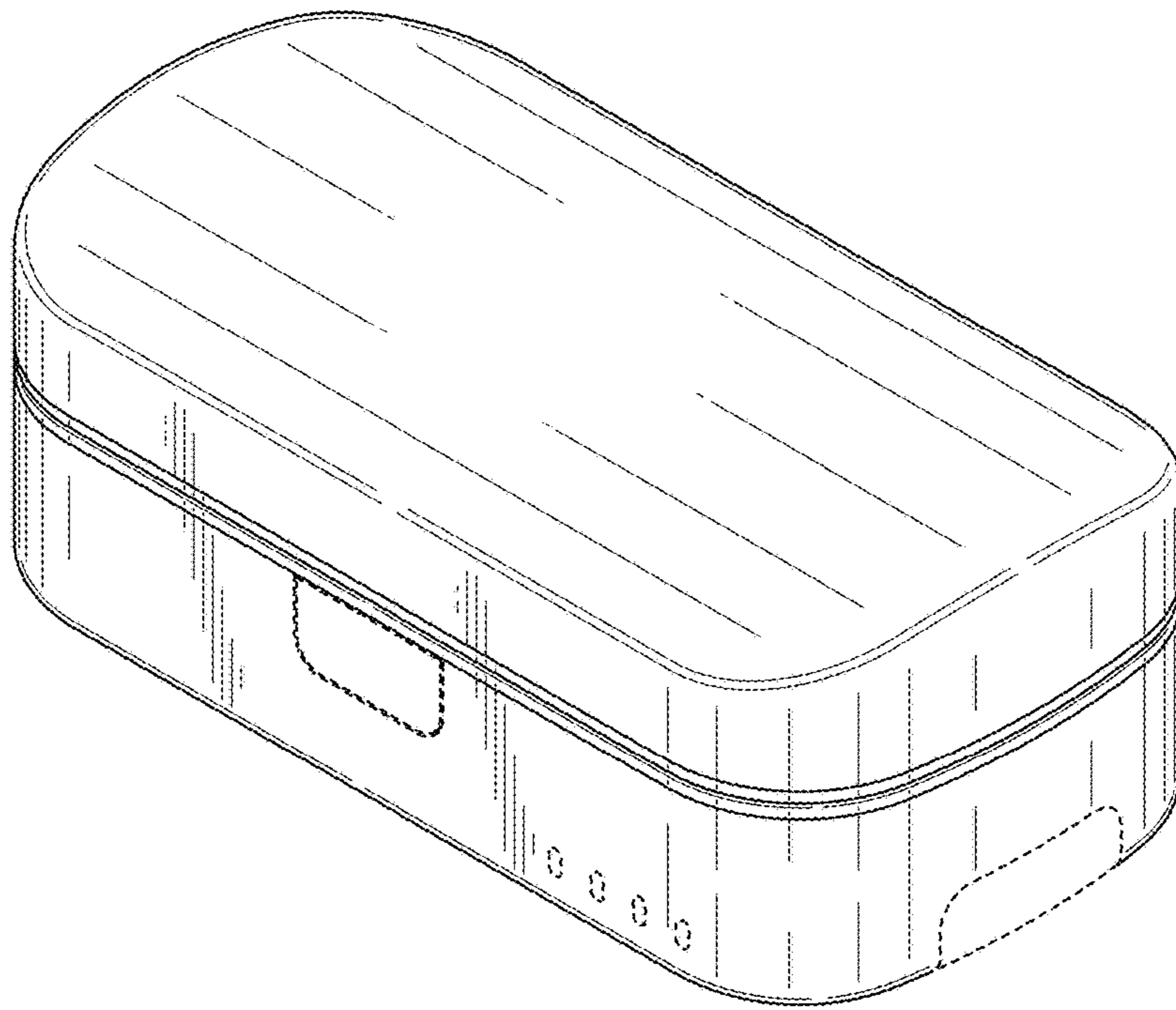


FIG. 2

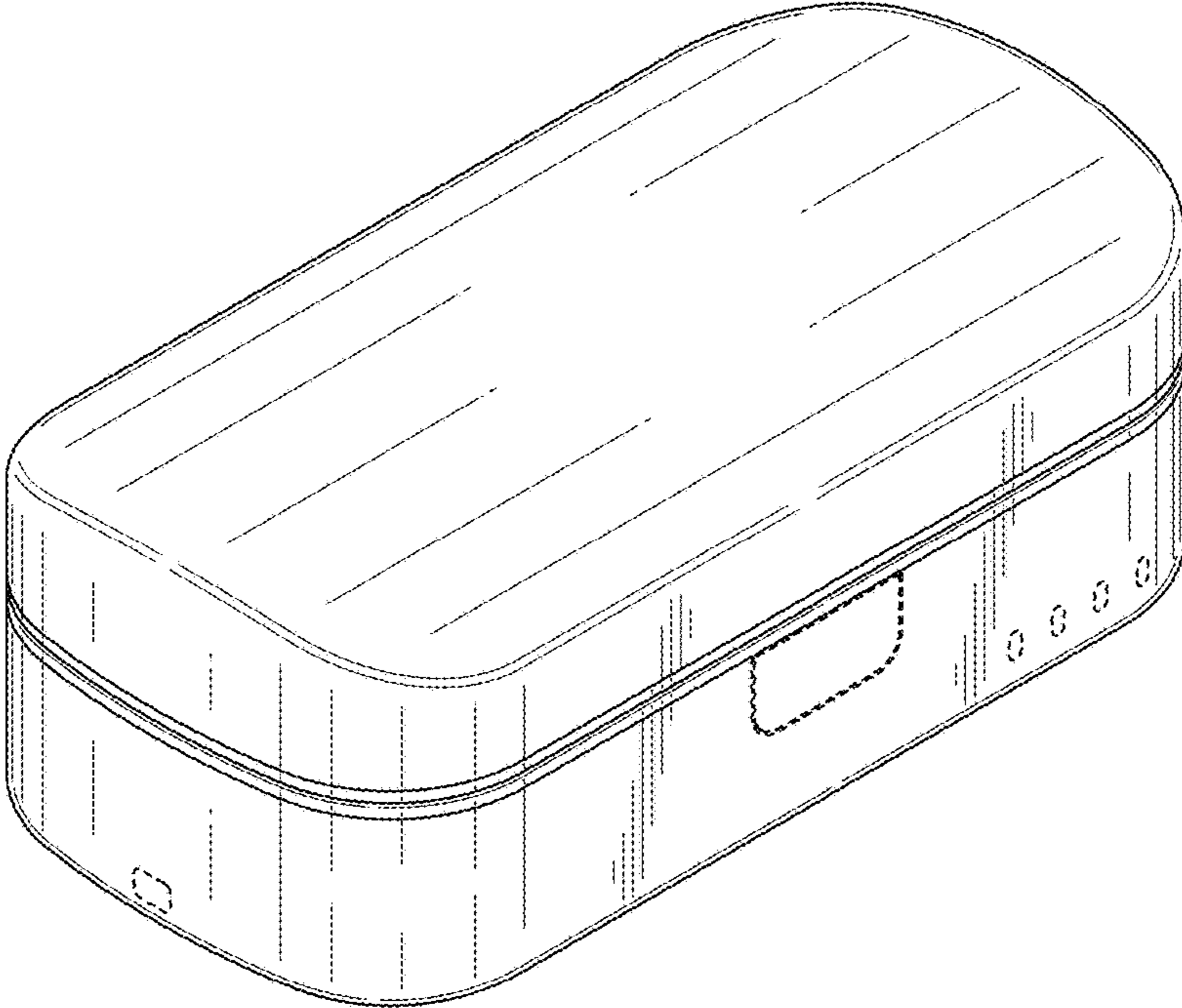


FIG. 3

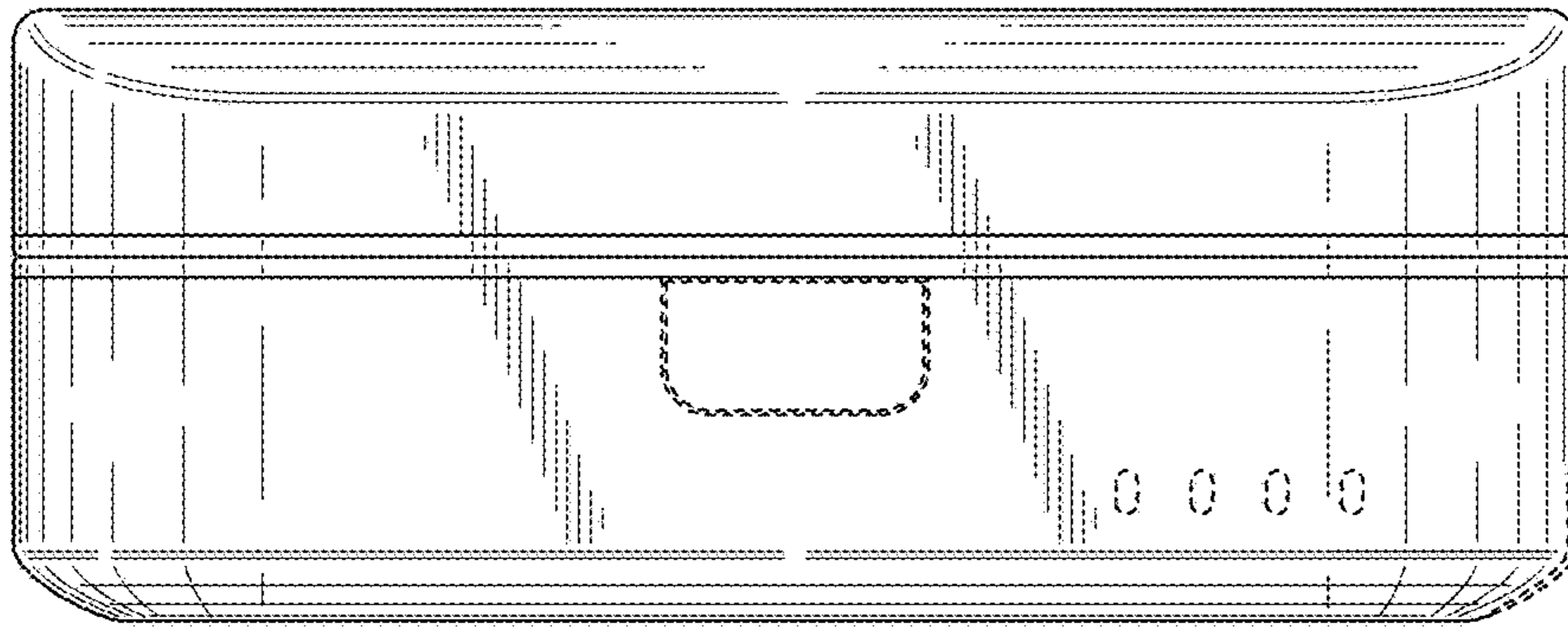


FIG. 4

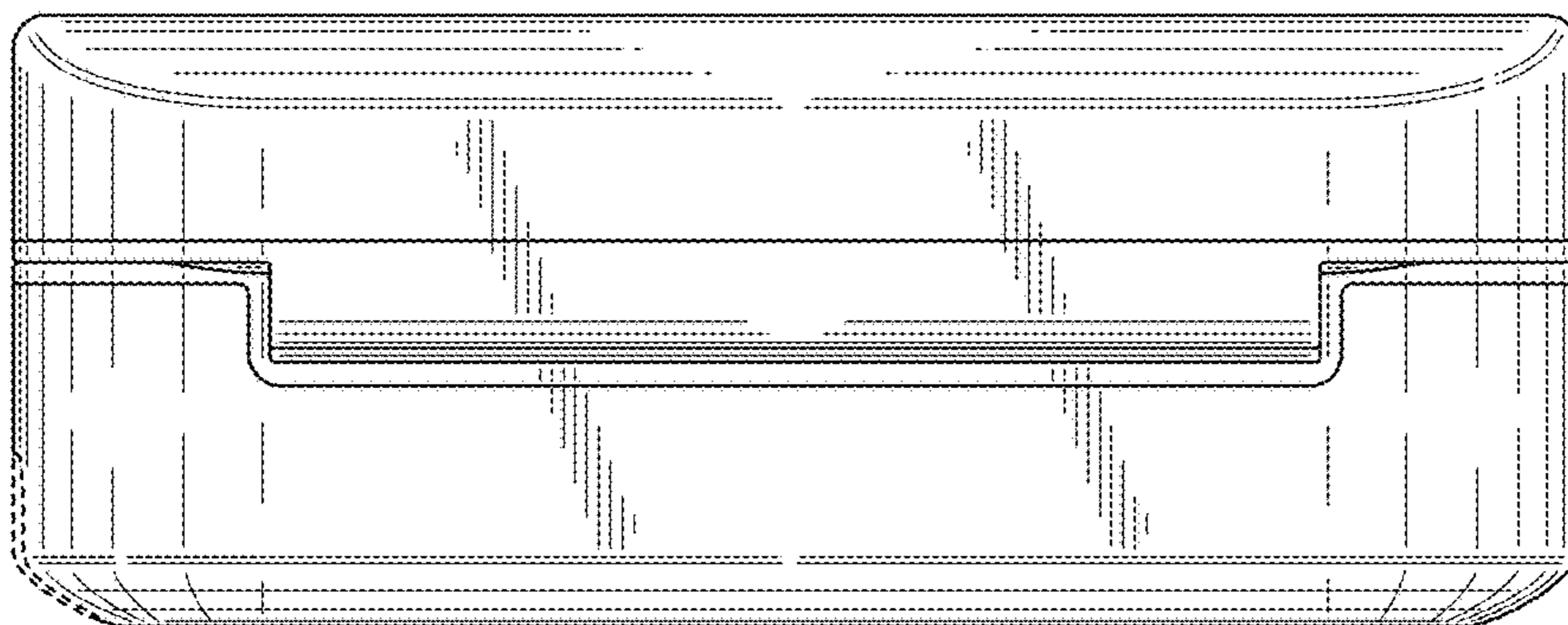


FIG. 5

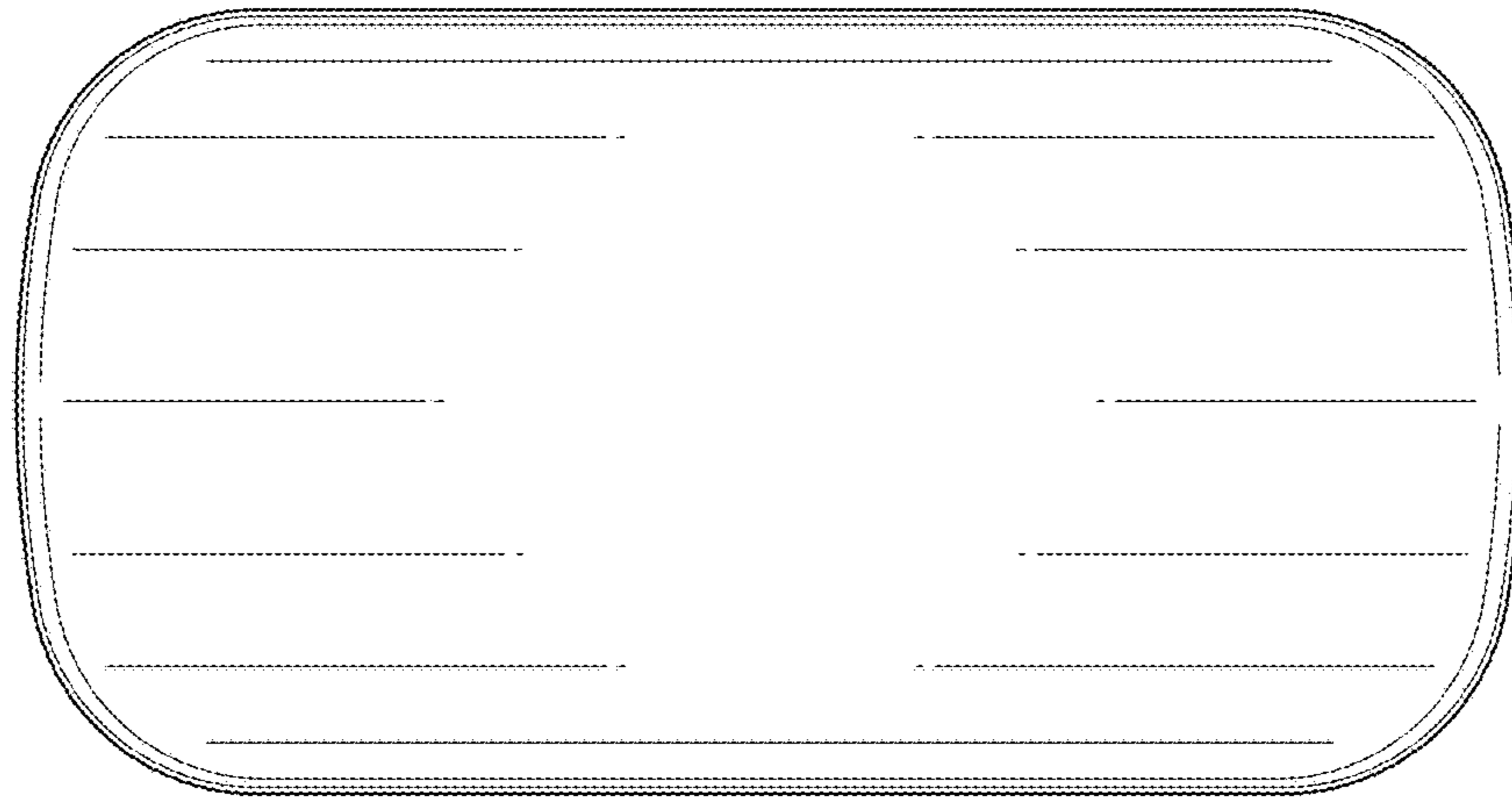


FIG. 6

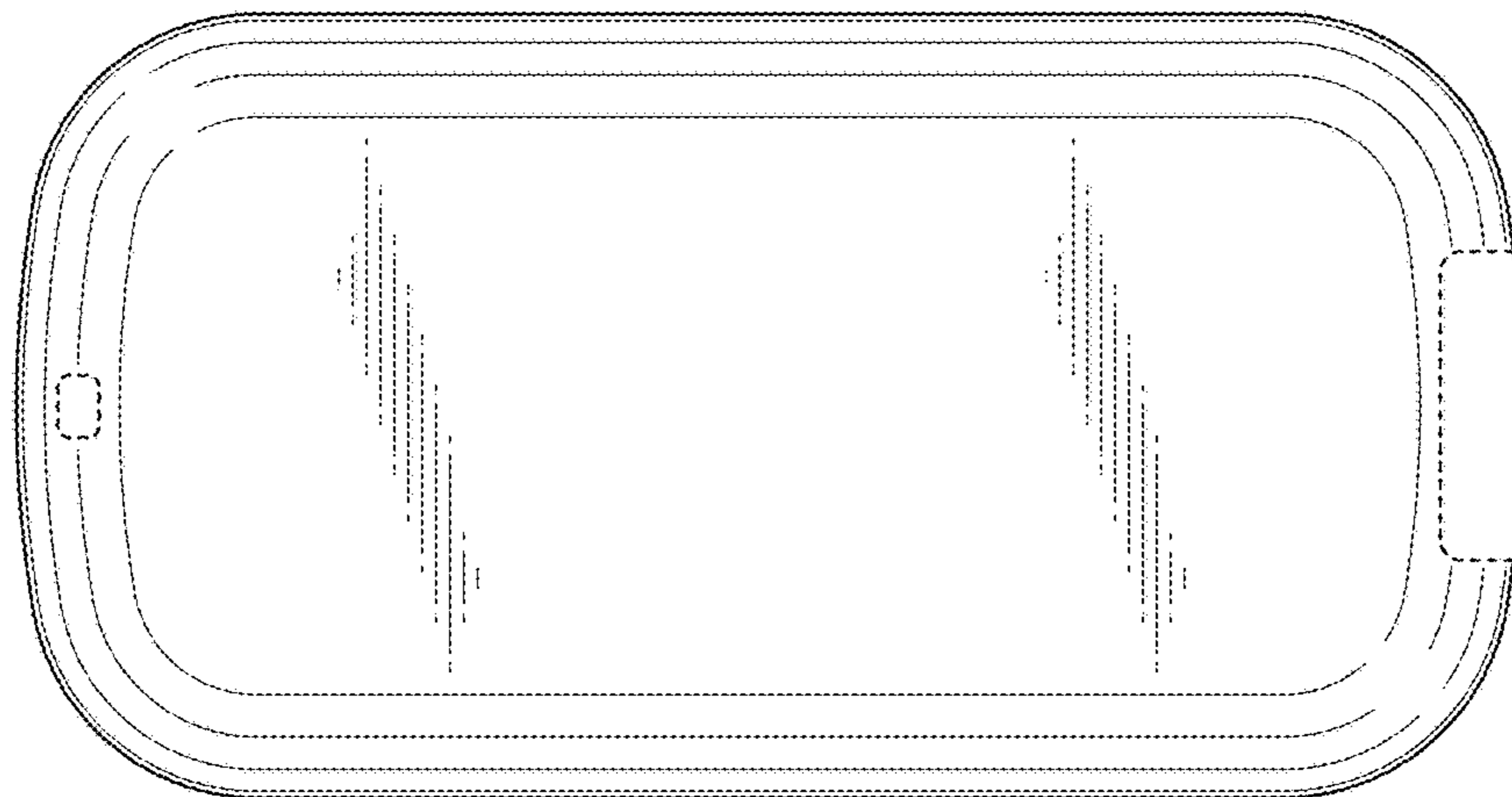


FIG. 7

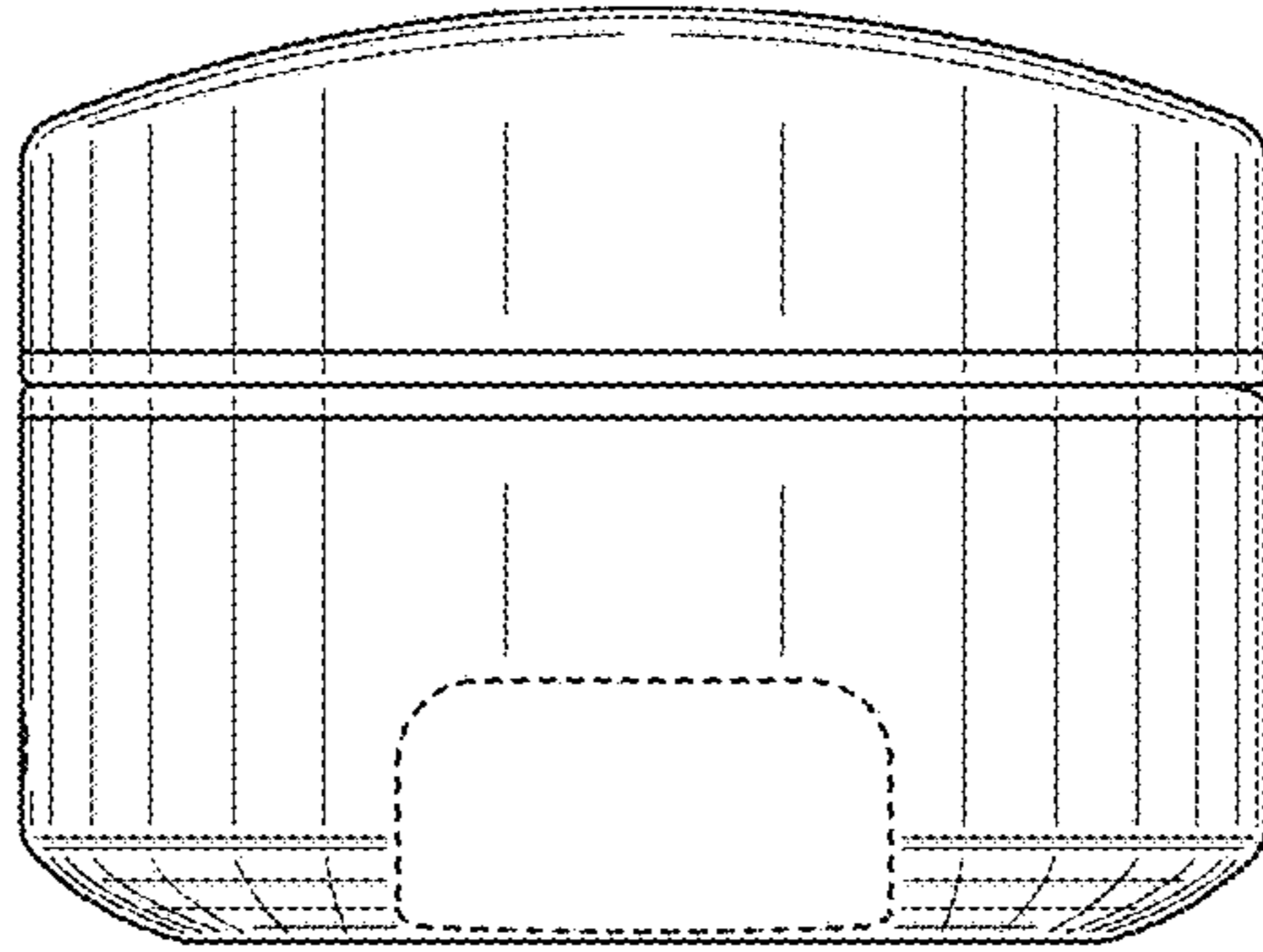


FIG. 8

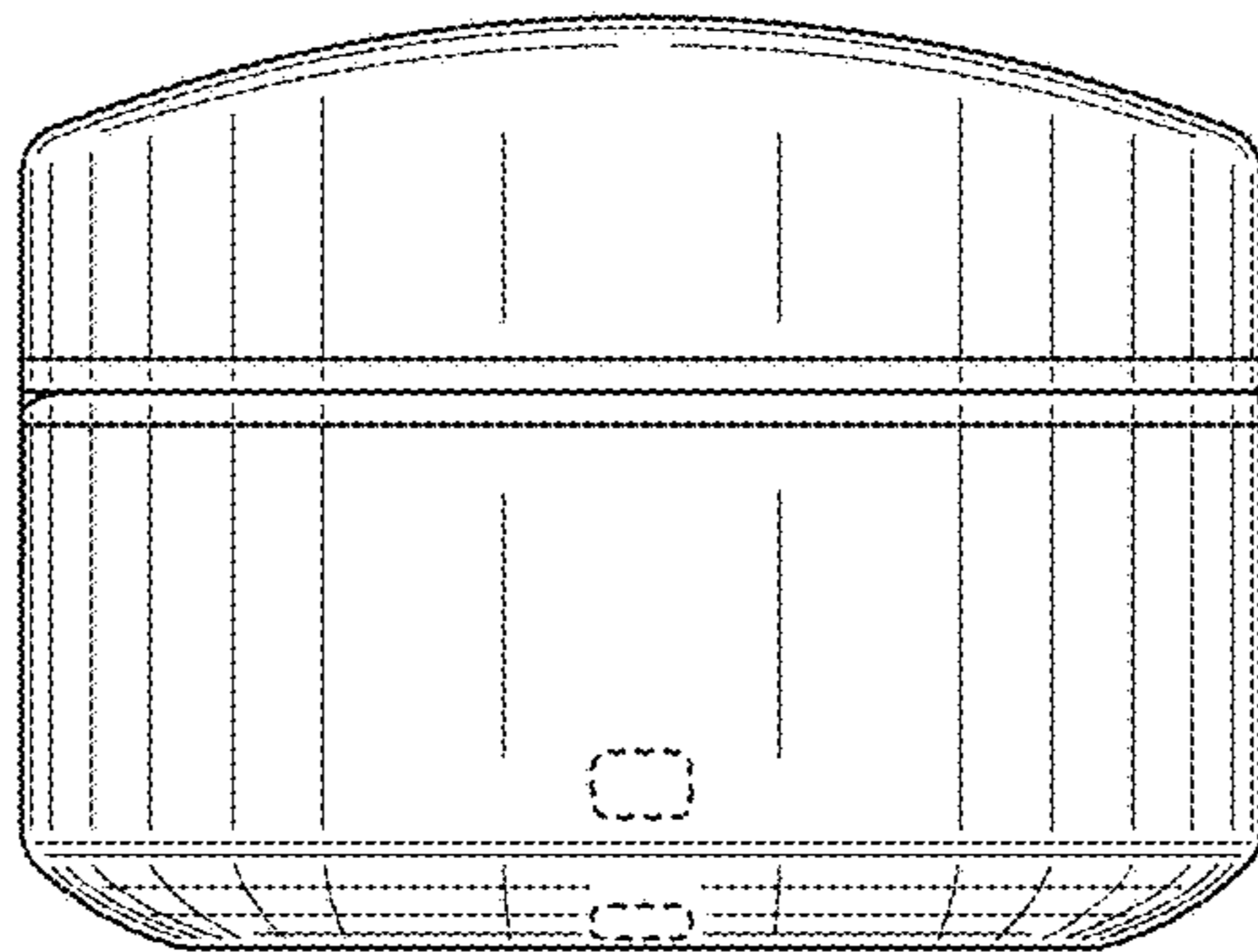


FIG. 9

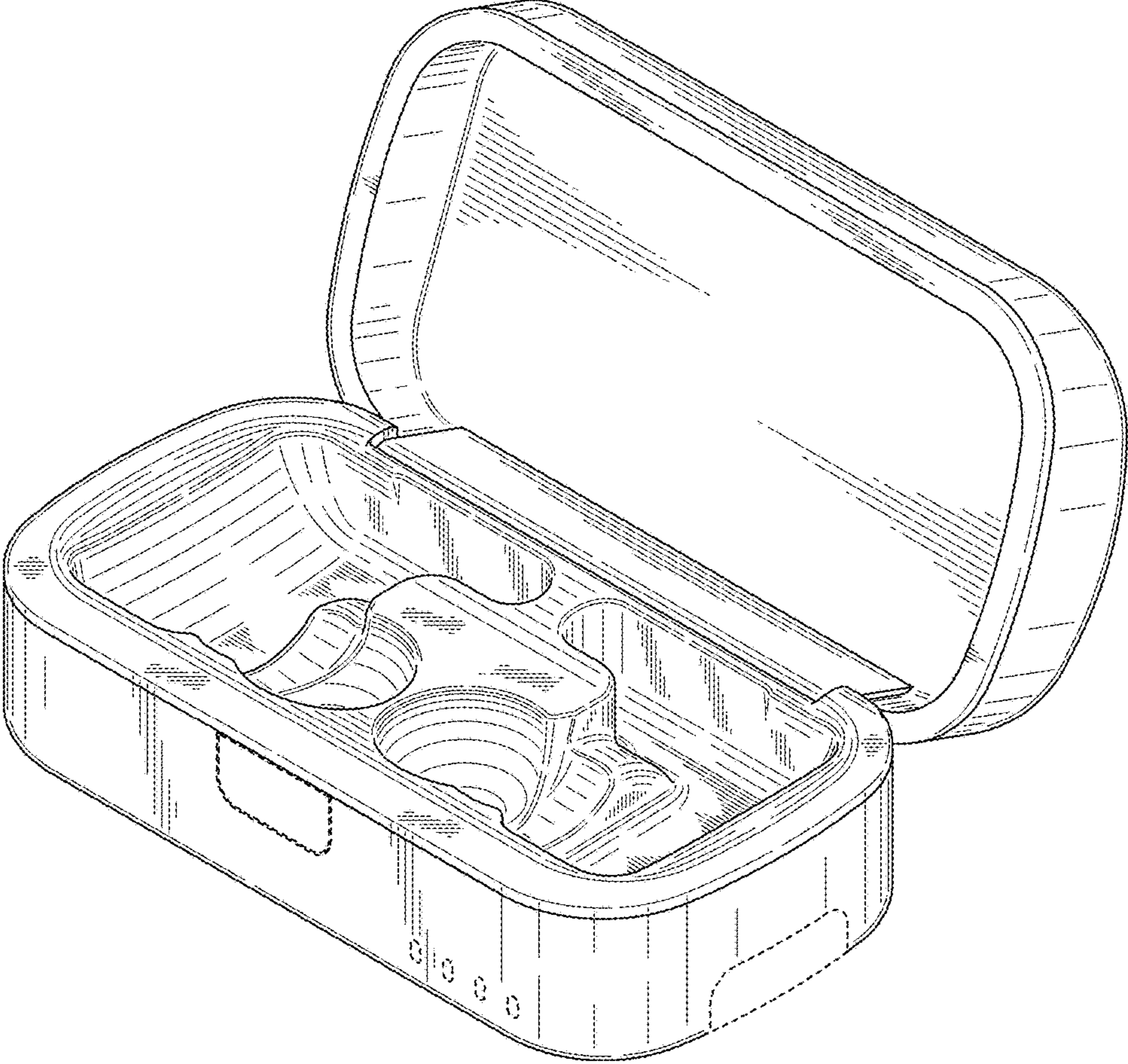


FIG. 10

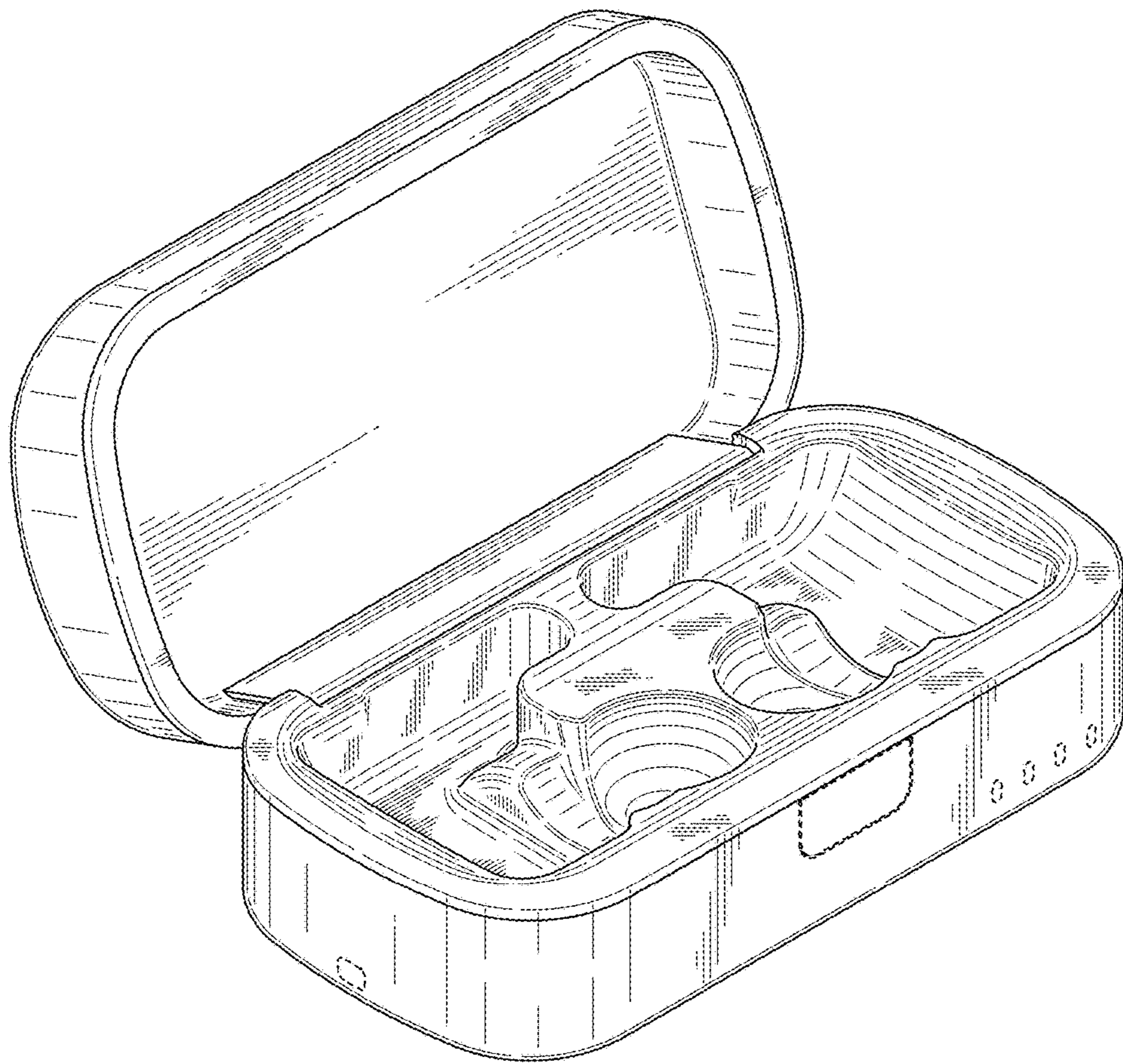


FIG. 11

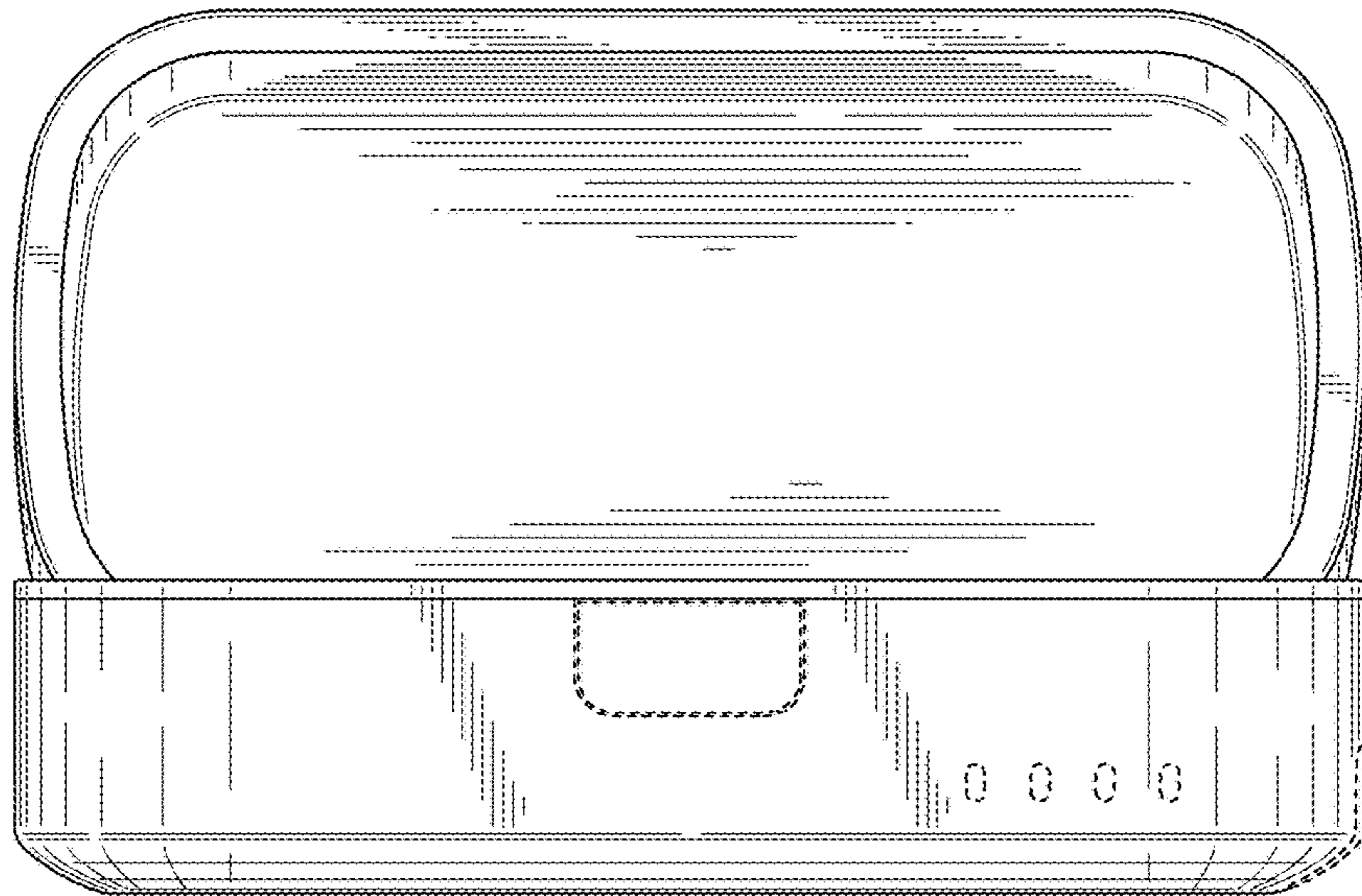


FIG. 12

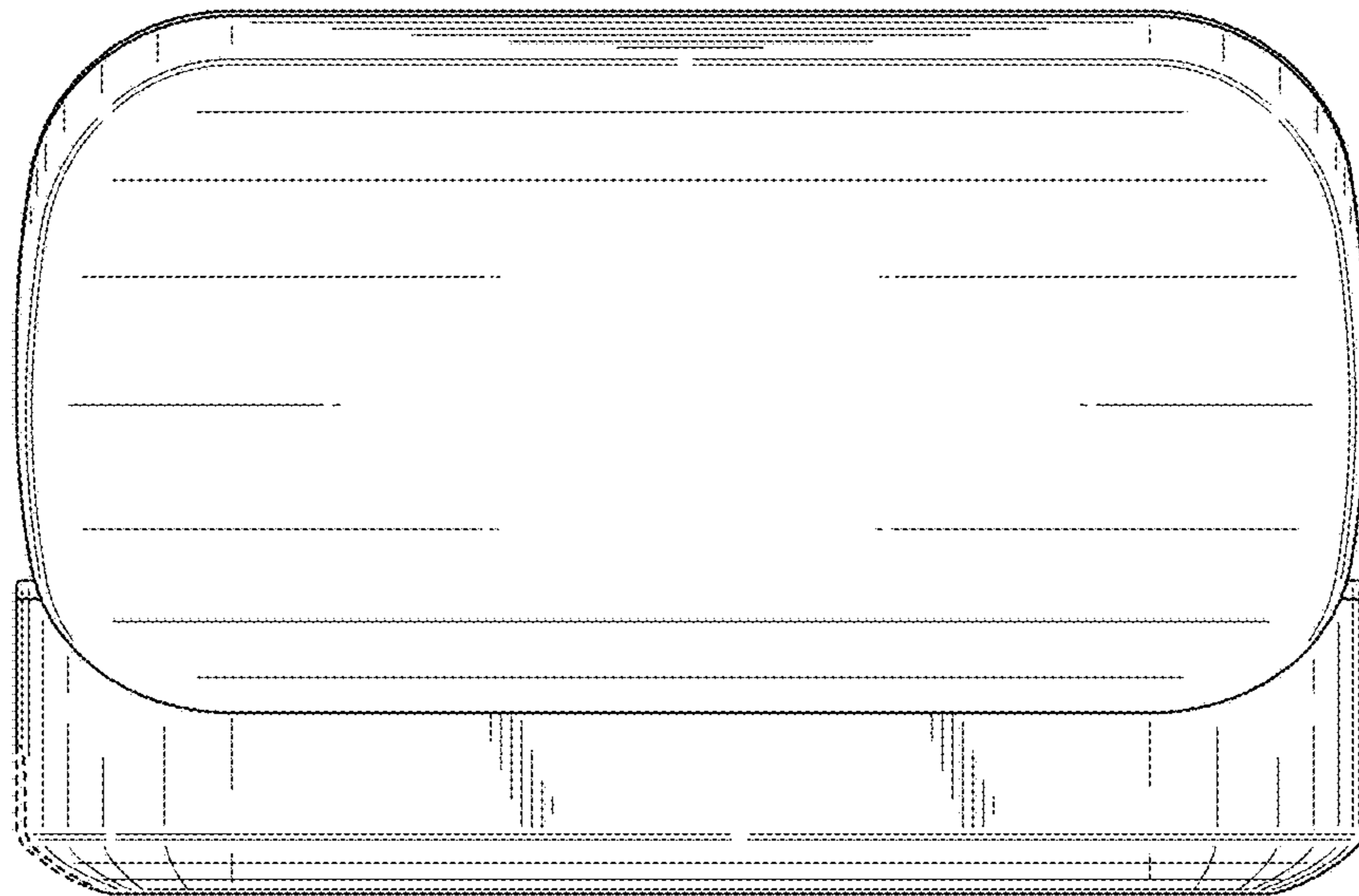


FIG. 13

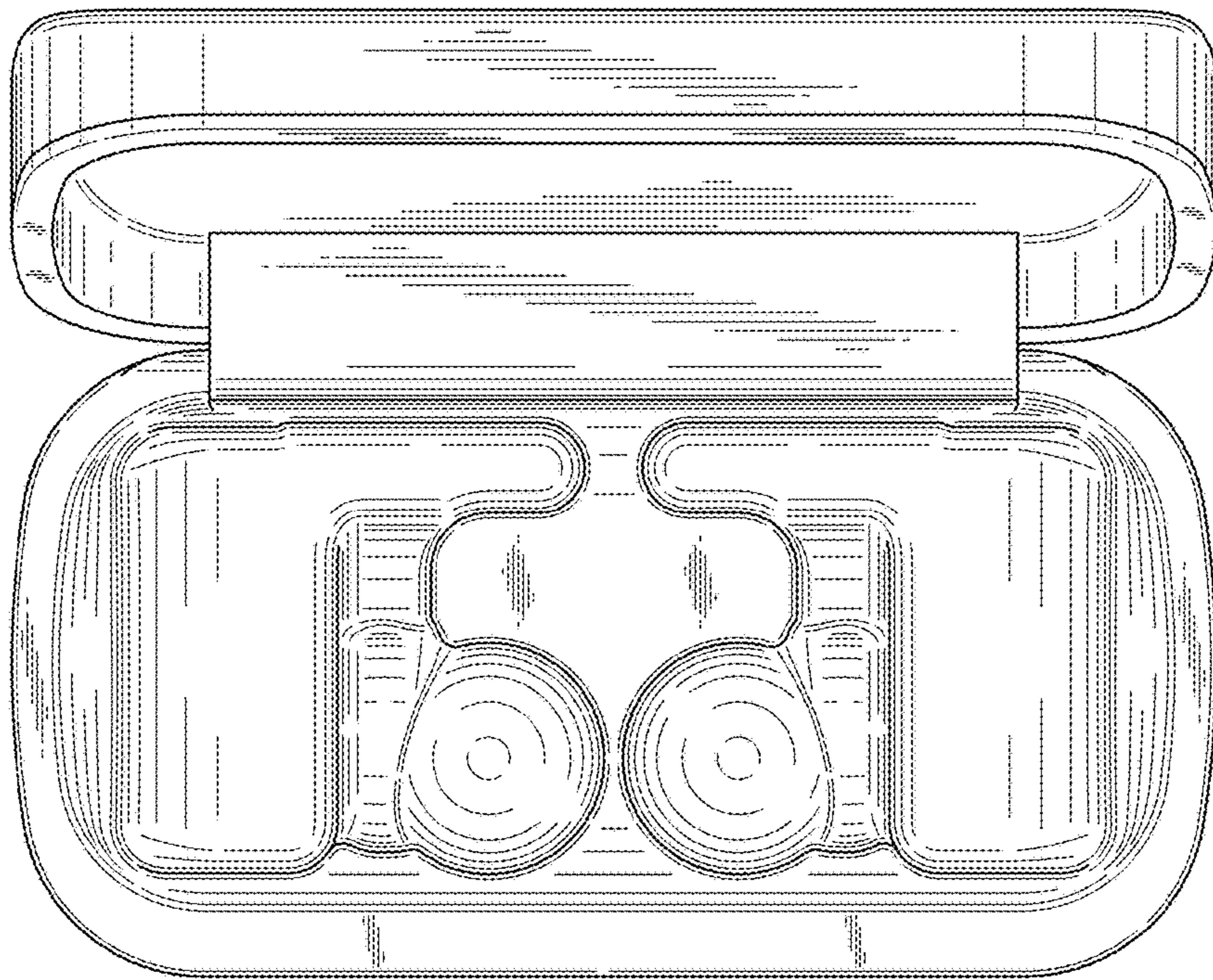


FIG. 14

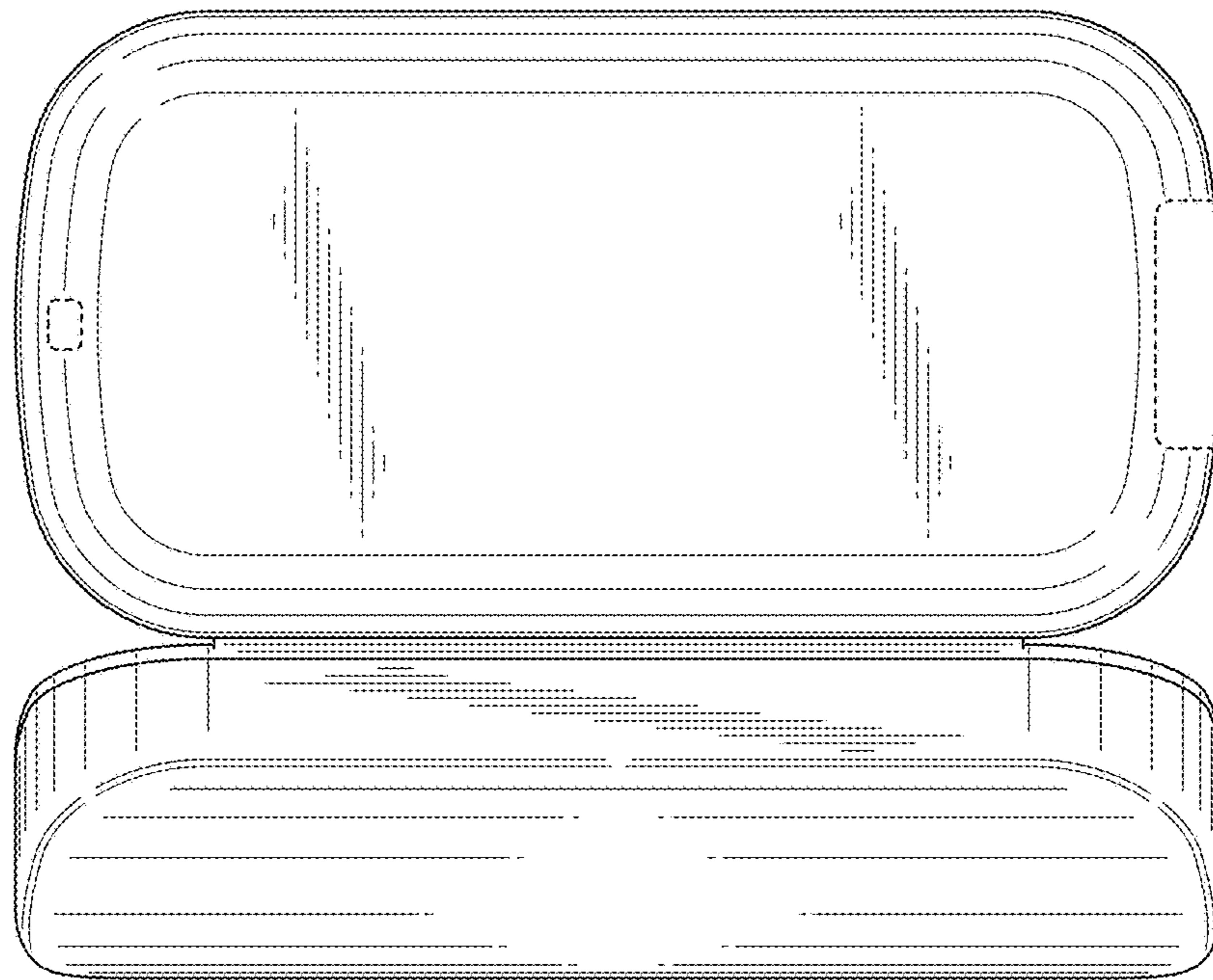


FIG. 15

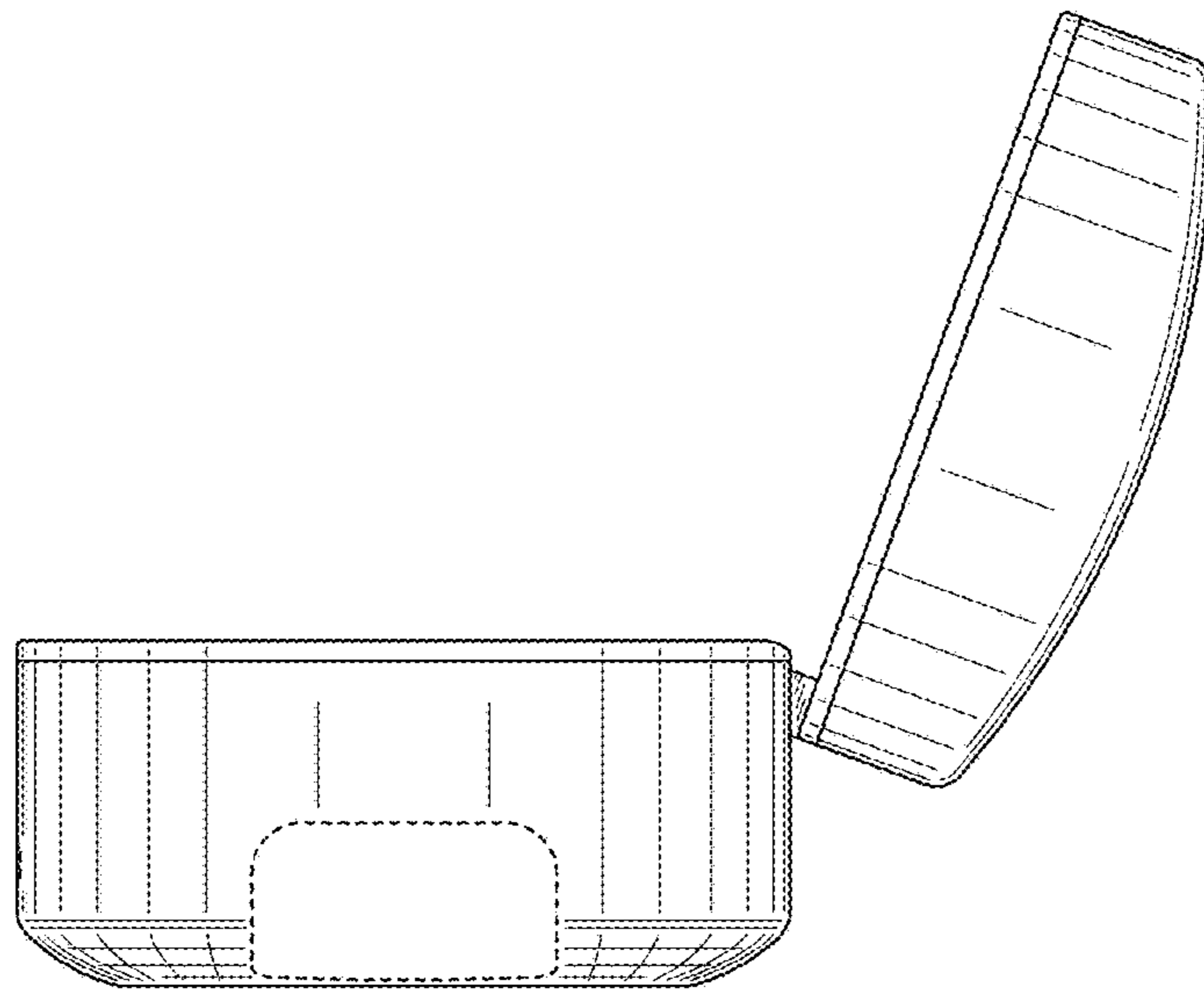


FIG. 16

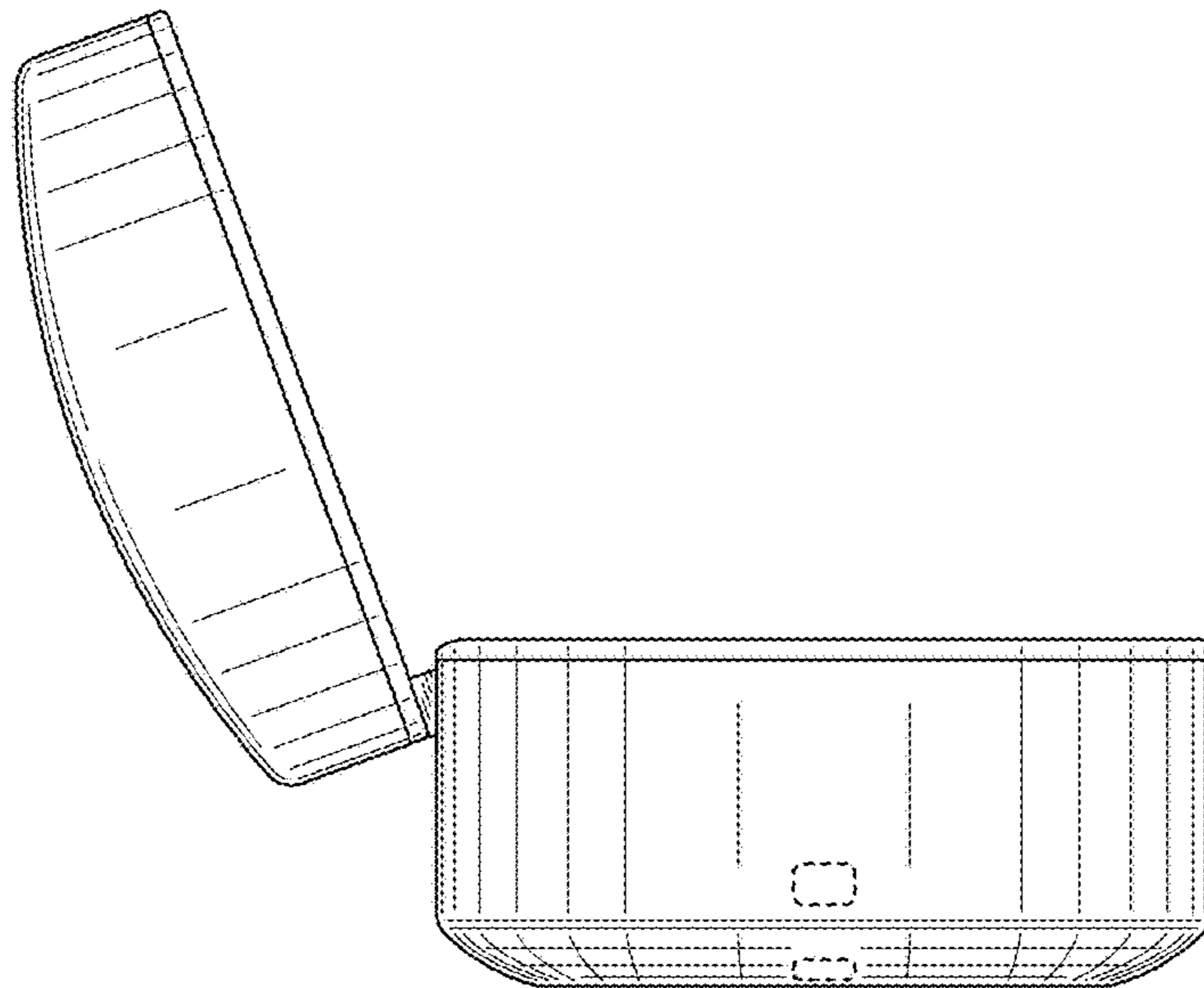


FIG. 17

