



US00D864109S

(12) **United States Design Patent** (10) **Patent No.:** **US D864,109 S**
Lv (45) **Date of Patent:** **** Oct. 22, 2019**

(54) **BRACKET CHARGER**

(71) Applicant: **Lin Lv**, Hubei (CN)

(72) Inventor: **Lin Lv**, Hubei (CN)

(**) Term: **15 Years**

(21) Appl. No.: **29/595,759**

(22) Filed: **Mar. 2, 2017**

(51) **LOC (12) Cl.** **13-02**

(52) **U.S. Cl.**
USPC **D13/108**

(58) **Field of Classification Search**
USPC D13/107-110, 118-119, 184, 199;
D14/251, 253, 432, 434
CPC Y02E 60/12; Y02T 90/14; Y02T 90/122;
Y02T 90/128; Y02T 90/163; H02J 7/025;
H02J 7/0042; H02J 7/0044; H02J 7/0045;
H02J 7/0003; H01F 38/14; H01R
13/6675; H01M 2/1022; H01M 2/1055;
H01M 10/44; H01M 10/46; H01M
10/425; B60L 11/182

See application file for complete search history.

(56) **References Cited**

U.S. PATENT DOCUMENTS

D612,329 S * 3/2010 Guccione D13/108
D662,050 S * 6/2012 Tien D13/108
D680,068 S * 4/2013 Lee D13/108
D682,200 S * 5/2013 Rautiainen D13/108

D694,708 S * 12/2013 Kim D13/108
D708,129 S * 7/2014 Houghton D13/103
D730,280 S * 5/2015 Koebler D13/107
D787,443 S * 5/2017 Chiang D13/110
D788,037 S * 5/2017 Hung D13/110
D790,464 S * 6/2017 He D13/110
D812,000 S * 3/2018 Li D13/108
D826,854 S * 8/2018 Roberts D13/108

* cited by examiner

Primary Examiner — Rosemary K Tarcza

(74) *Attorney, Agent, or Firm* — Justin Lampel

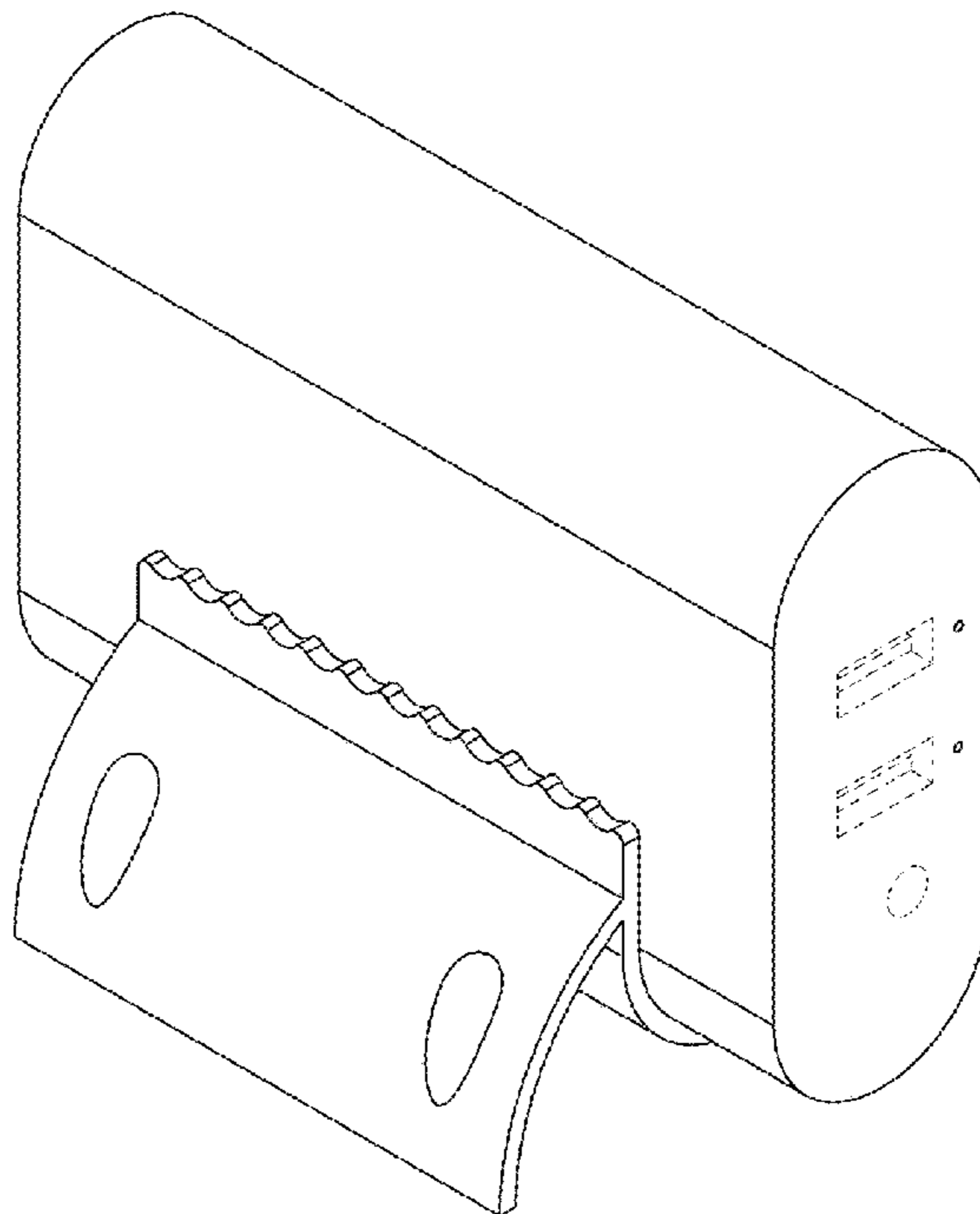
(57) **CLAIM**

The ornamental design for a bracket charger, as shown and described.

DESCRIPTION

FIG. 1 is a perspective view of a bracket charger showing my new design;
FIG. 2 is a front elevational view thereof;
FIG. 3 is a rear elevational view thereof;
FIG. 4 is a right side view thereof;
FIG. 5 is a left side view thereof;
FIG. 6 is a bottom plan view thereof; and,
FIG. 7 is a top plan view thereof.
The broken lines shown in the drawings are for the purpose of illustrating portions of the bracket charger which form no part of the claimed design.

1 Claim, 7 Drawing Sheets



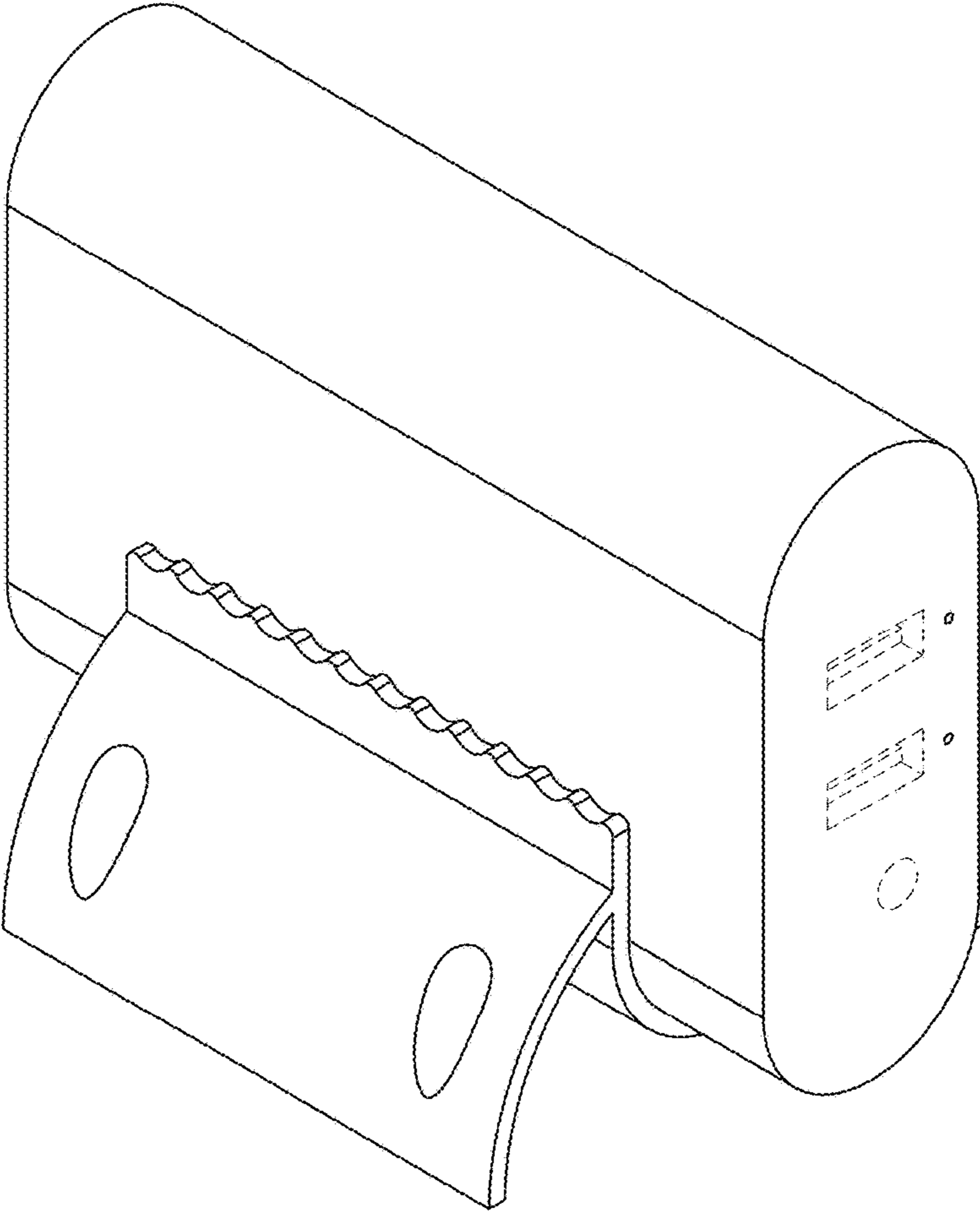


FIG. 1

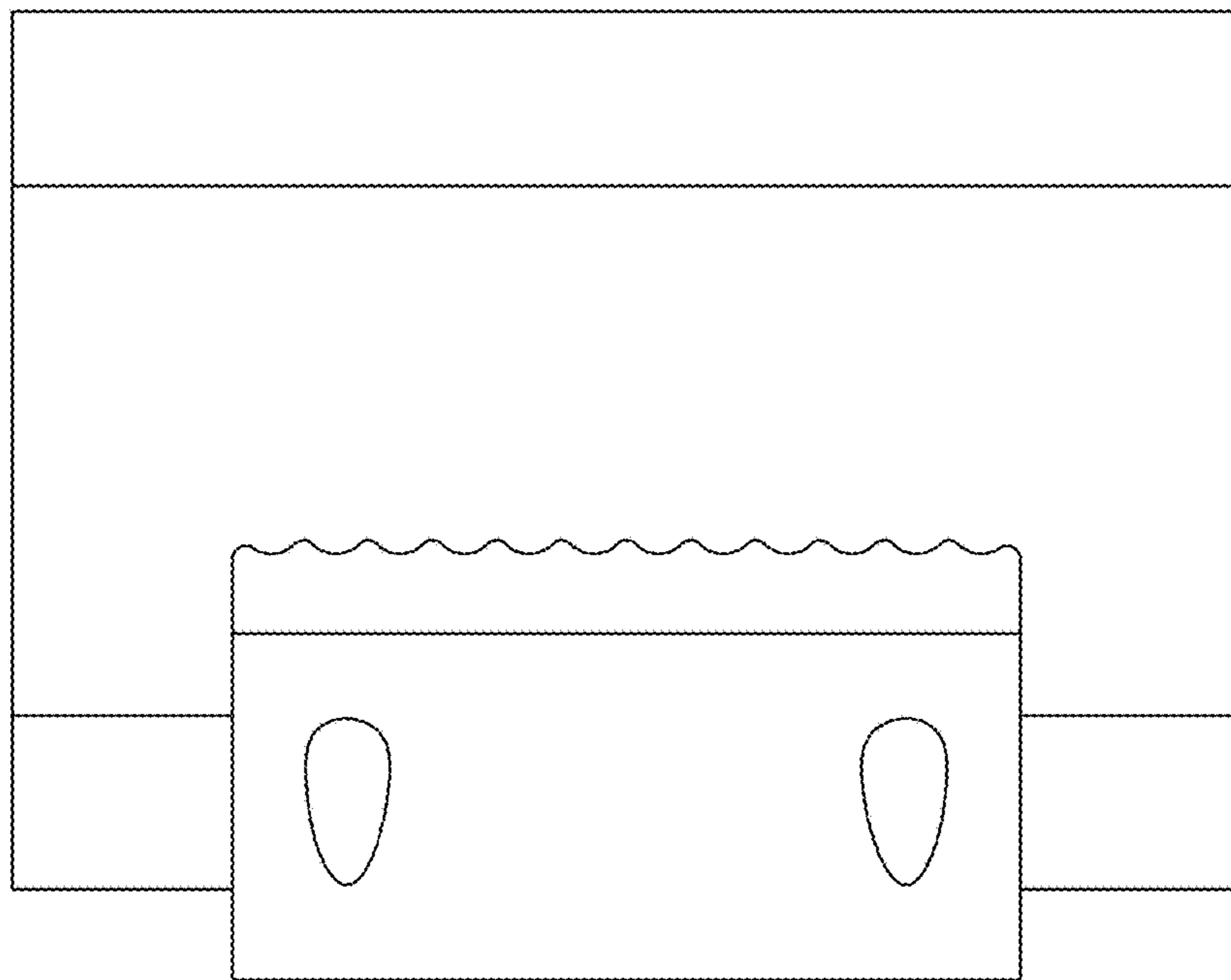


FIG. 2

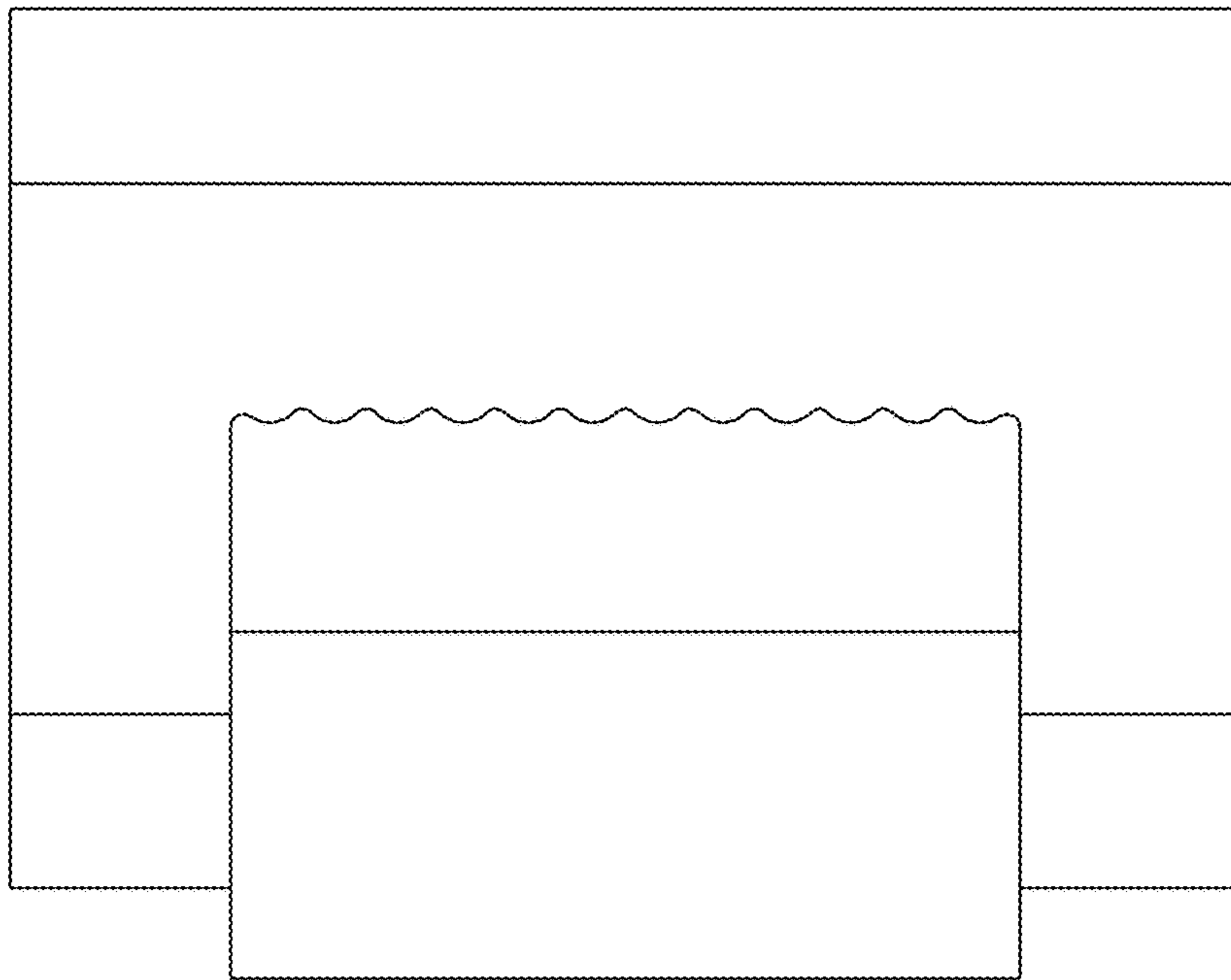


FIG. 3

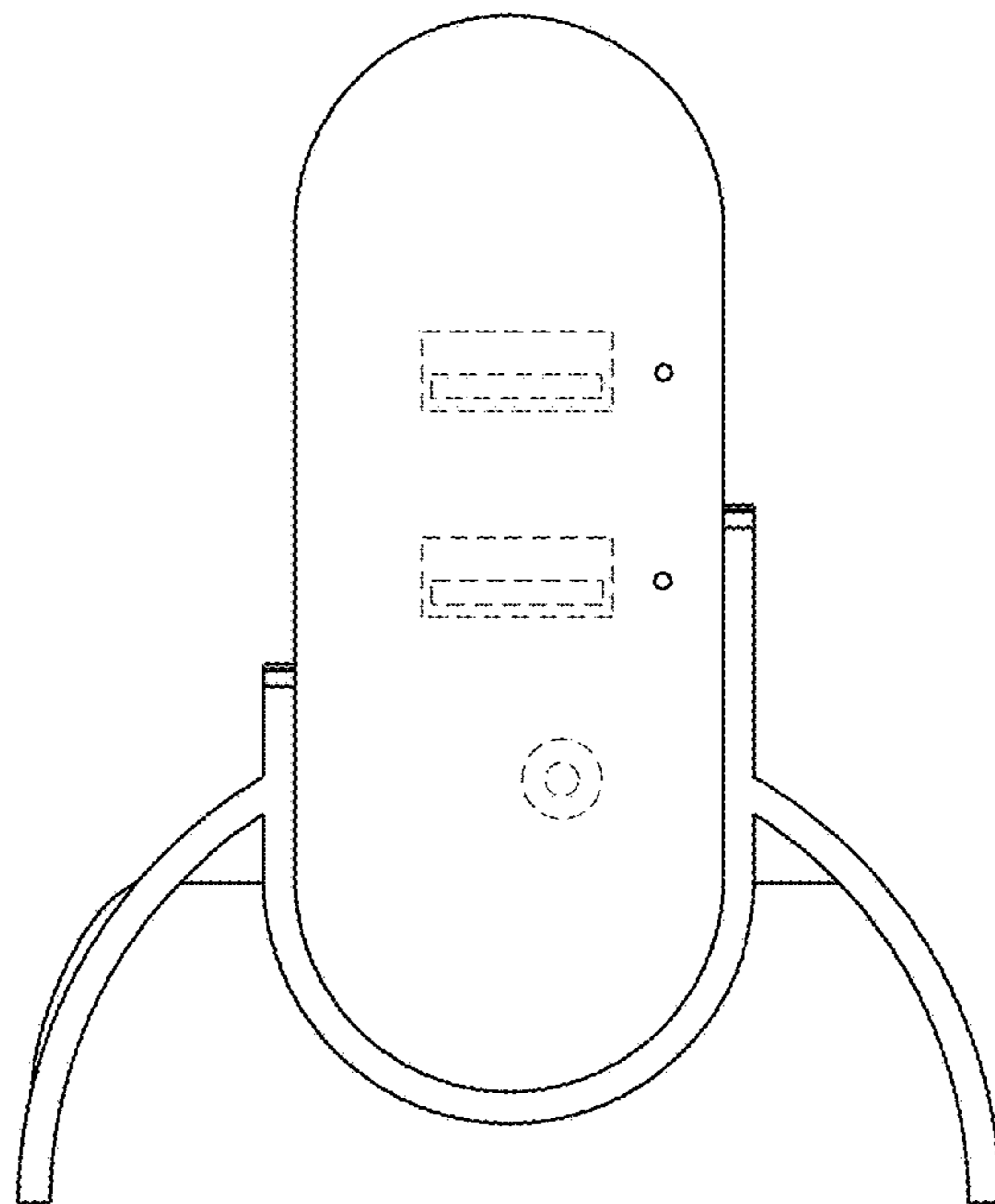


FIG. 4

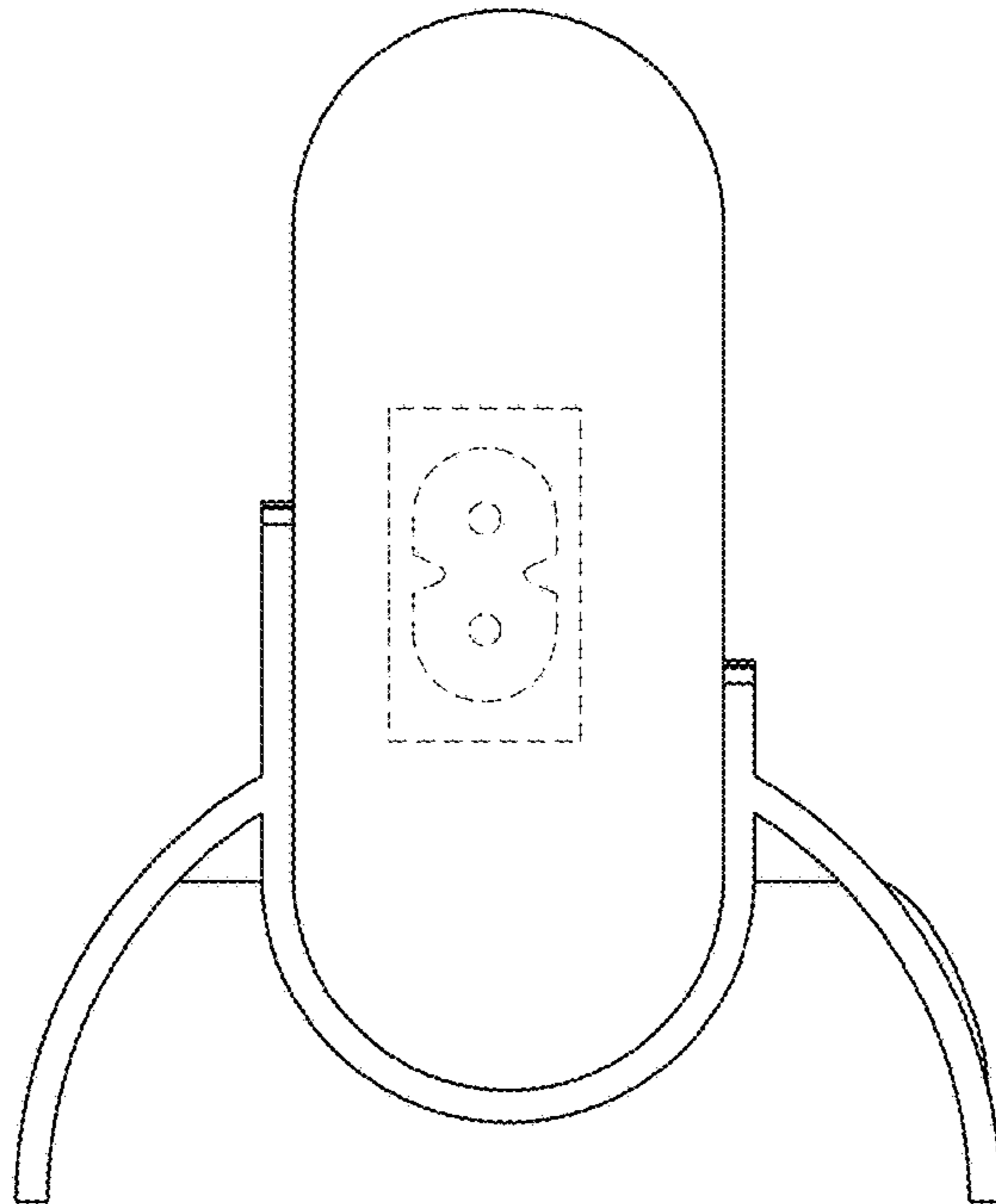


FIG. 5

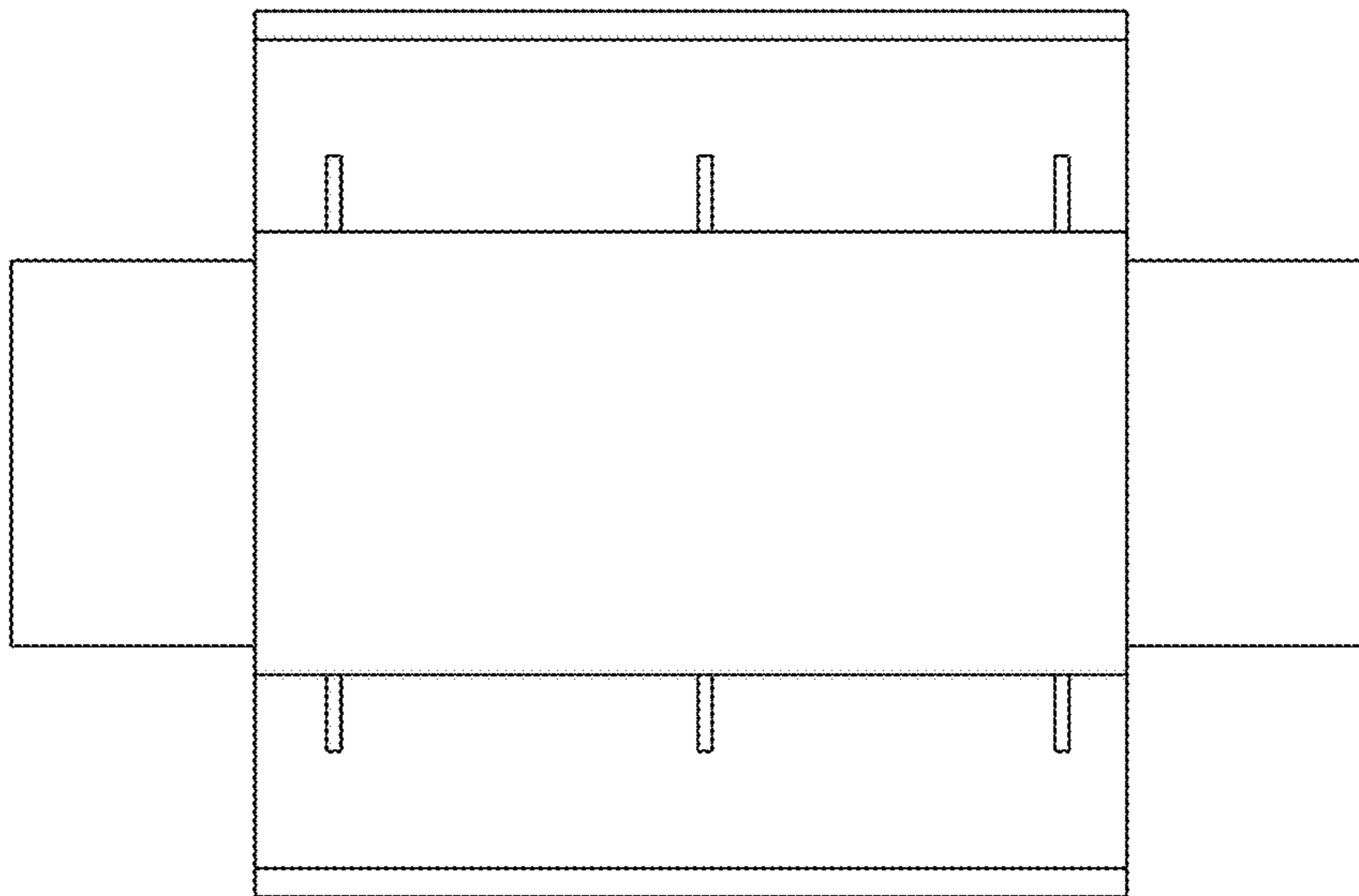


FIG. 6

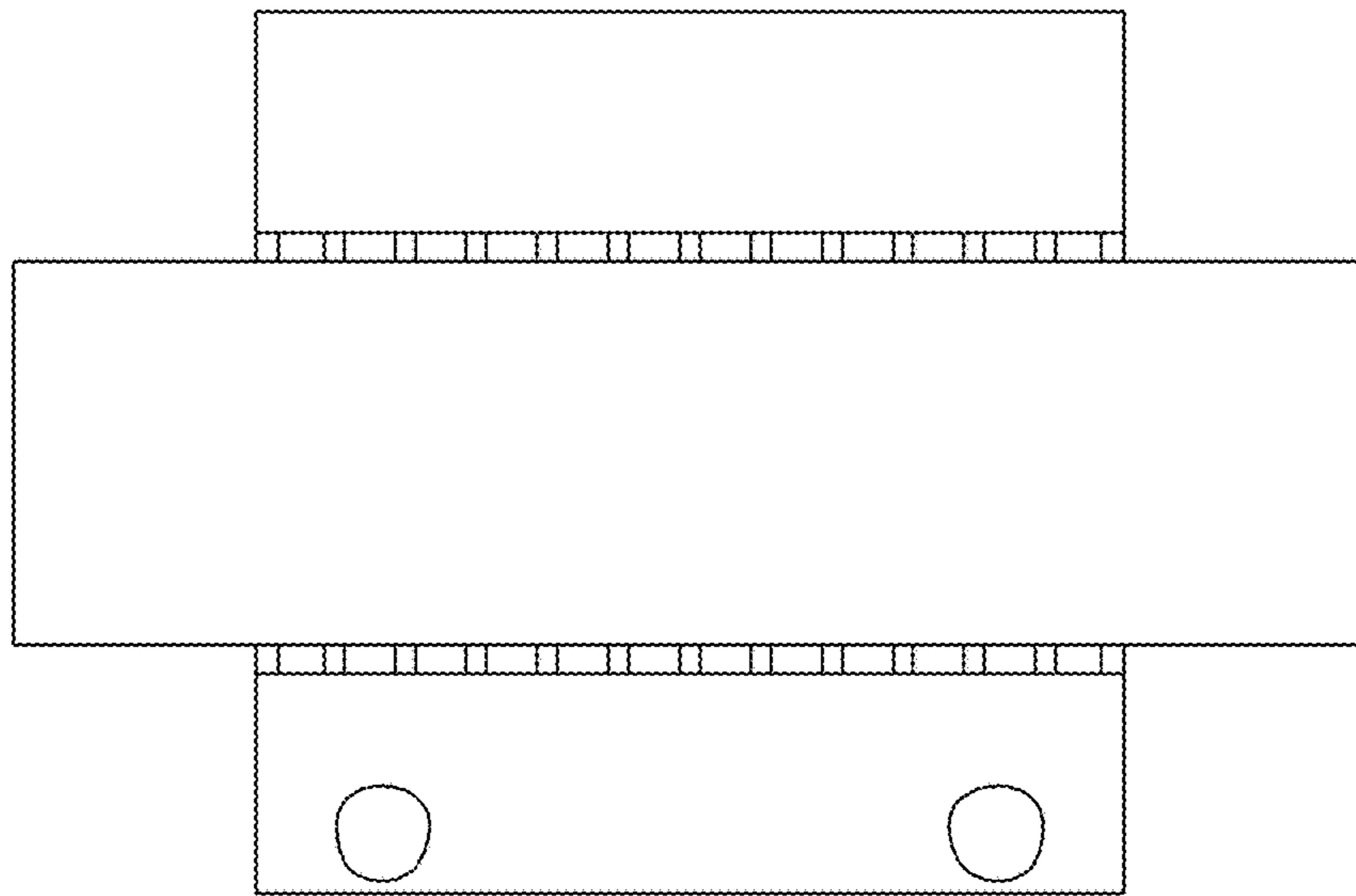


FIG. 7