



US00D864092S

(12) **United States Design Patent**  
**Zhang et al.**

(10) **Patent No.:** **US D864,092 S**  
(45) **Date of Patent:** **\*\* Oct. 22, 2019**

(54) **IN-CAR HOLDER**

(71) Applicant: **Ugreen Group Limited**, Shenzhen (CN)

(72) Inventors: **Qingsen Zhang**, Shenzhen (CN);  
**Junling Chen**, Shenzhen (CN);  
**Houling Wang**, Shenzhen (CN)

(73) Assignee: **Ugreen Group Limited**, Shenzhen (CN)

(\*\*) Term: **15 Years**

(21) Appl. No.: **29/653,194**

(22) Filed: **Jun. 13, 2018**

(30) **Foreign Application Priority Data**

Dec. 14, 2017 (CN) ..... 2017 3 0638913

(51) **LOC (12) Cl.** ..... **12-16**

(52) **U.S. Cl.**  
USPC ..... **D12/415**

(58) **Field of Classification Search**  
USPC ..... D12/415-420, 400, 191, 106, 195, 345,  
D12/96, 99

CPC ..... B60R 7/06; B60R 11/02; B60R 2011/005;  
B60R 2011/0012; A61L 9/12; A61L 9/04

See application file for complete search history.

(56) **References Cited**

U.S. PATENT DOCUMENTS

D690,707 S *	10/2013	Minn .....	B60R 11/0241 D14/447
D750,633 S *	3/2016	Minn .....	D14/447
D767,556 S *	9/2016	Lee .....	D12/415
D796,421 S *	9/2017	Huang .....	D12/415
D833,369 S *	11/2018	Lan .....	D12/415
D849,012 S *	5/2019	Yao .....	D14/447

\* cited by examiner

*Primary Examiner* — Abraham Bahta

(57) **CLAIM**

The ornamental design for an in-car holder, as shown and described.

**DESCRIPTION**

FIG. 1 is a Perspective view of an in-car holder showing our new design;

FIG. 2 is another Perspective view thereof;

FIG. 3 is a Front elevational view thereof;

FIG. 4 is a Rear elevational view thereof;

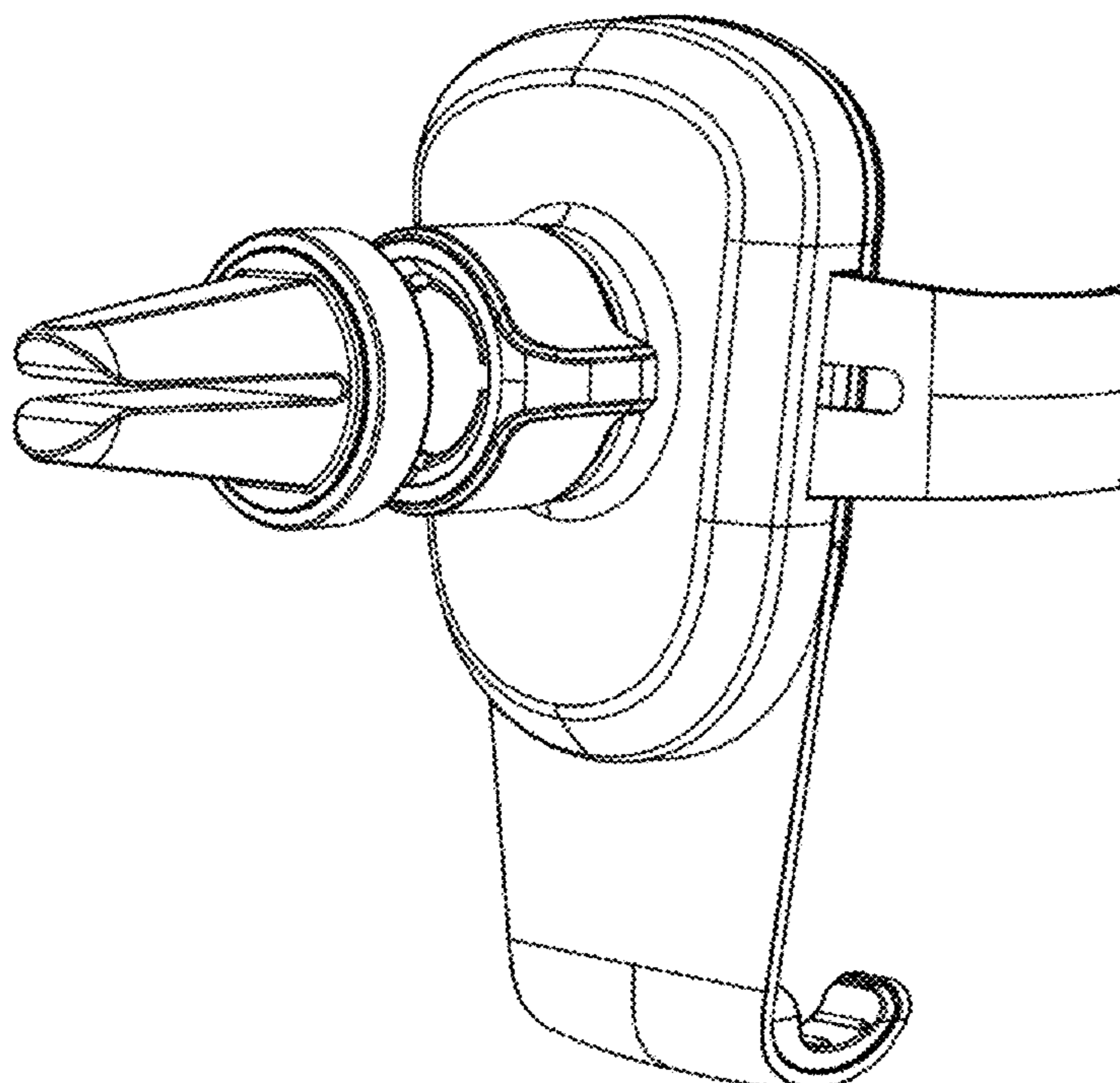
FIG. 5 is a Left side view thereof;

FIG. 6 is a Right side view thereof;

FIG. 7 is a Top plan view thereof; and,

FIG. 8 is a Bottom plan view thereof.

**1 Claim, 8 Drawing Sheets**



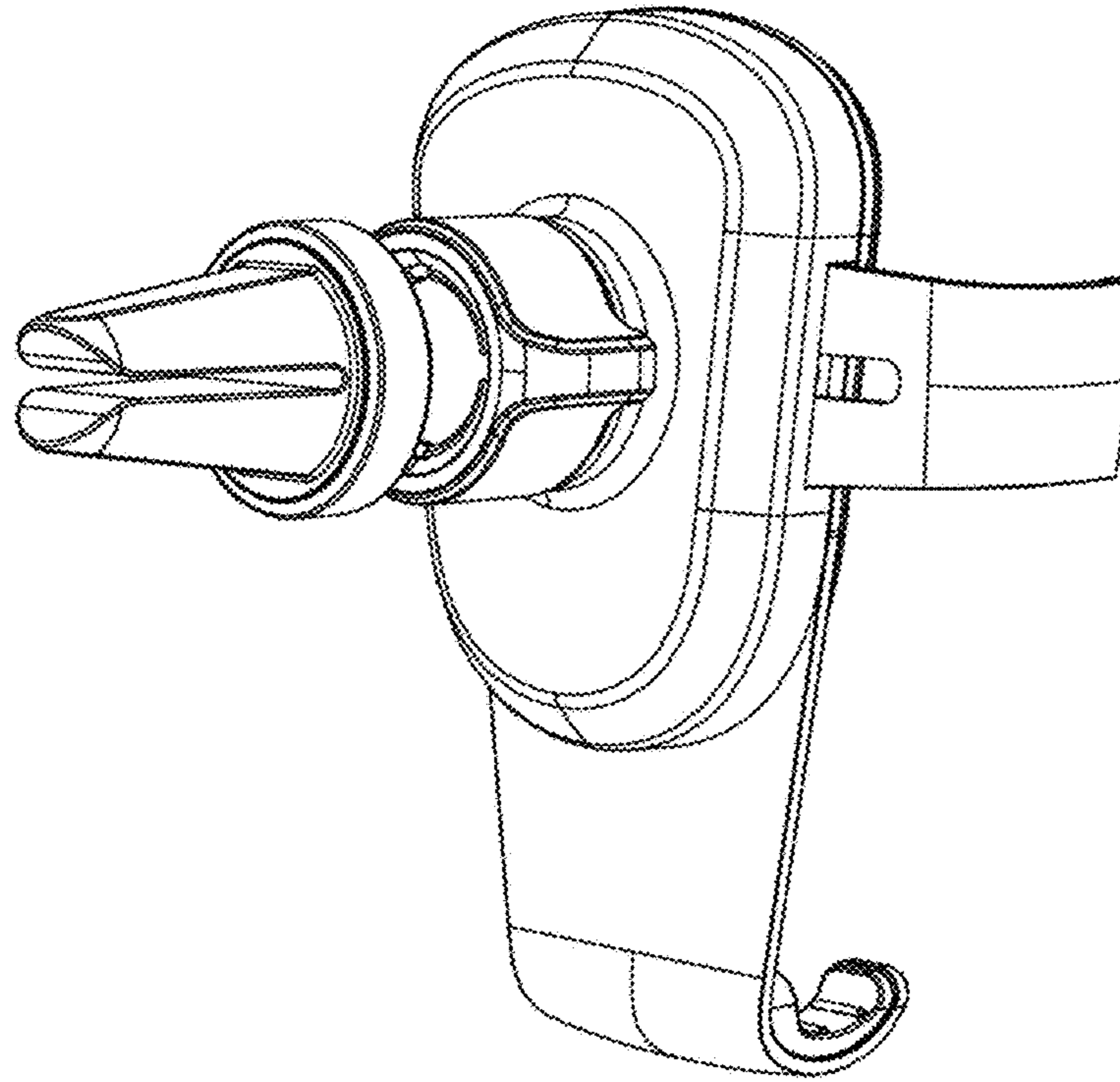


FIG. 1

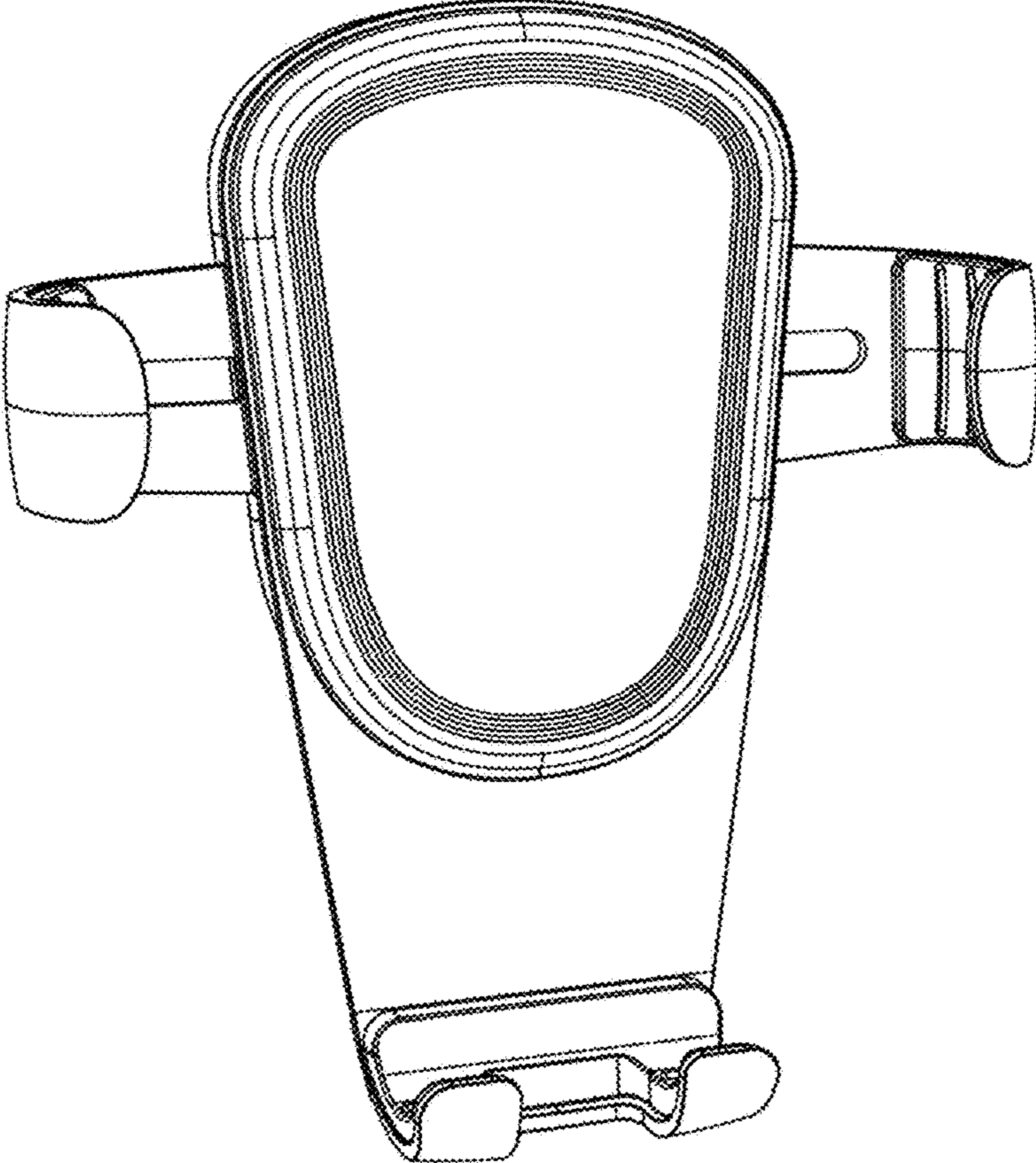


FIG. 2

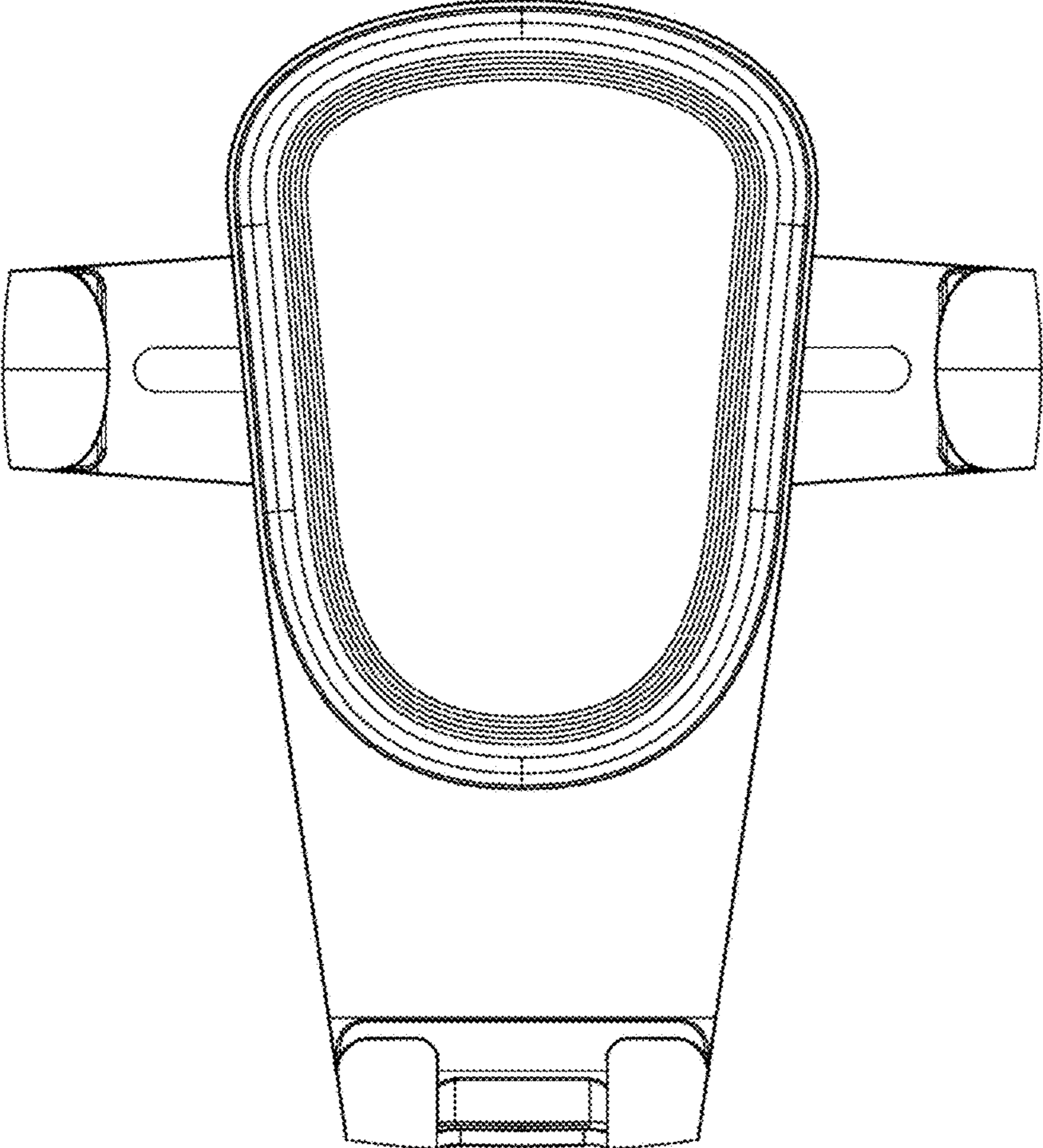


FIG. 3



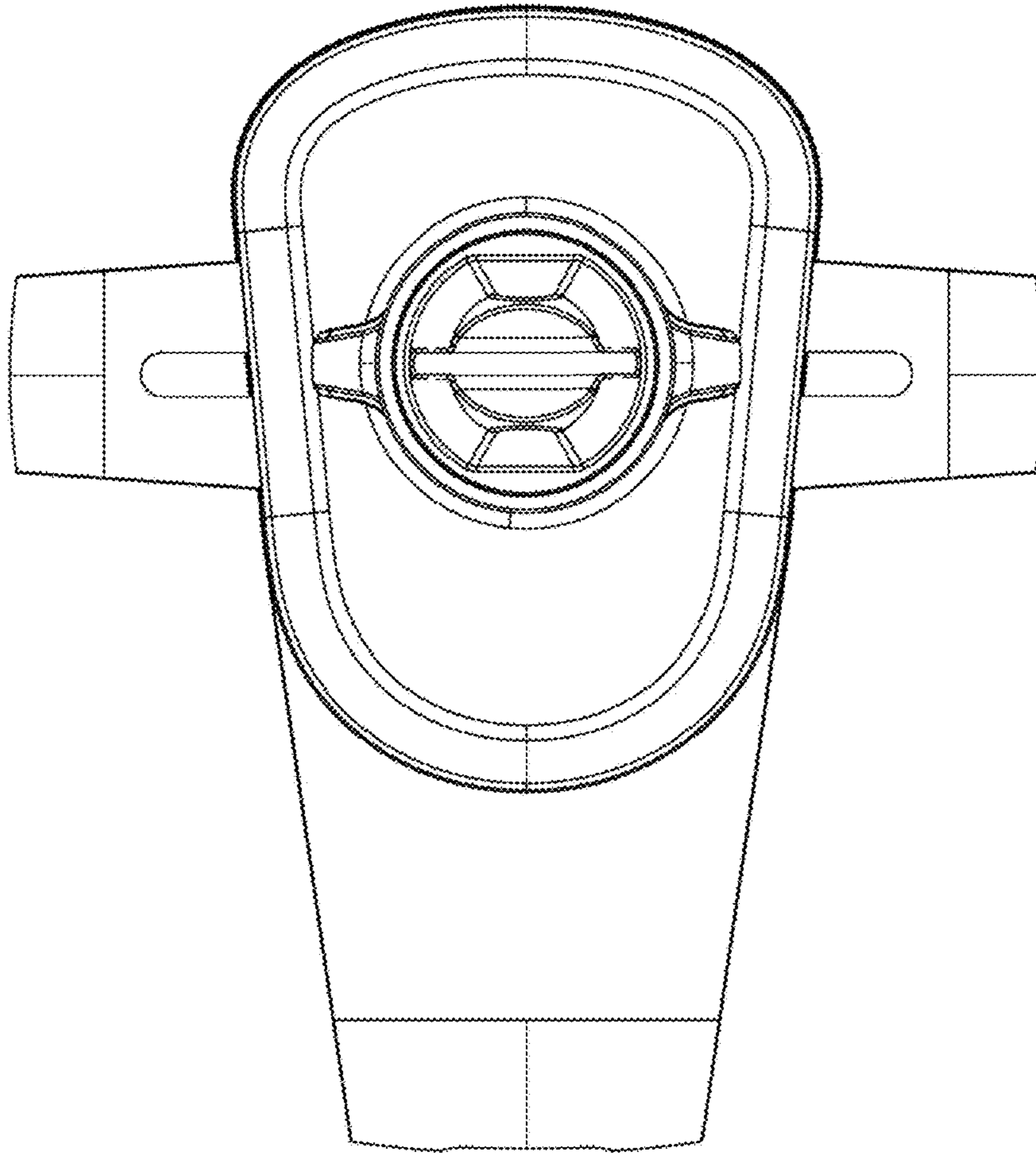


FIG. 4

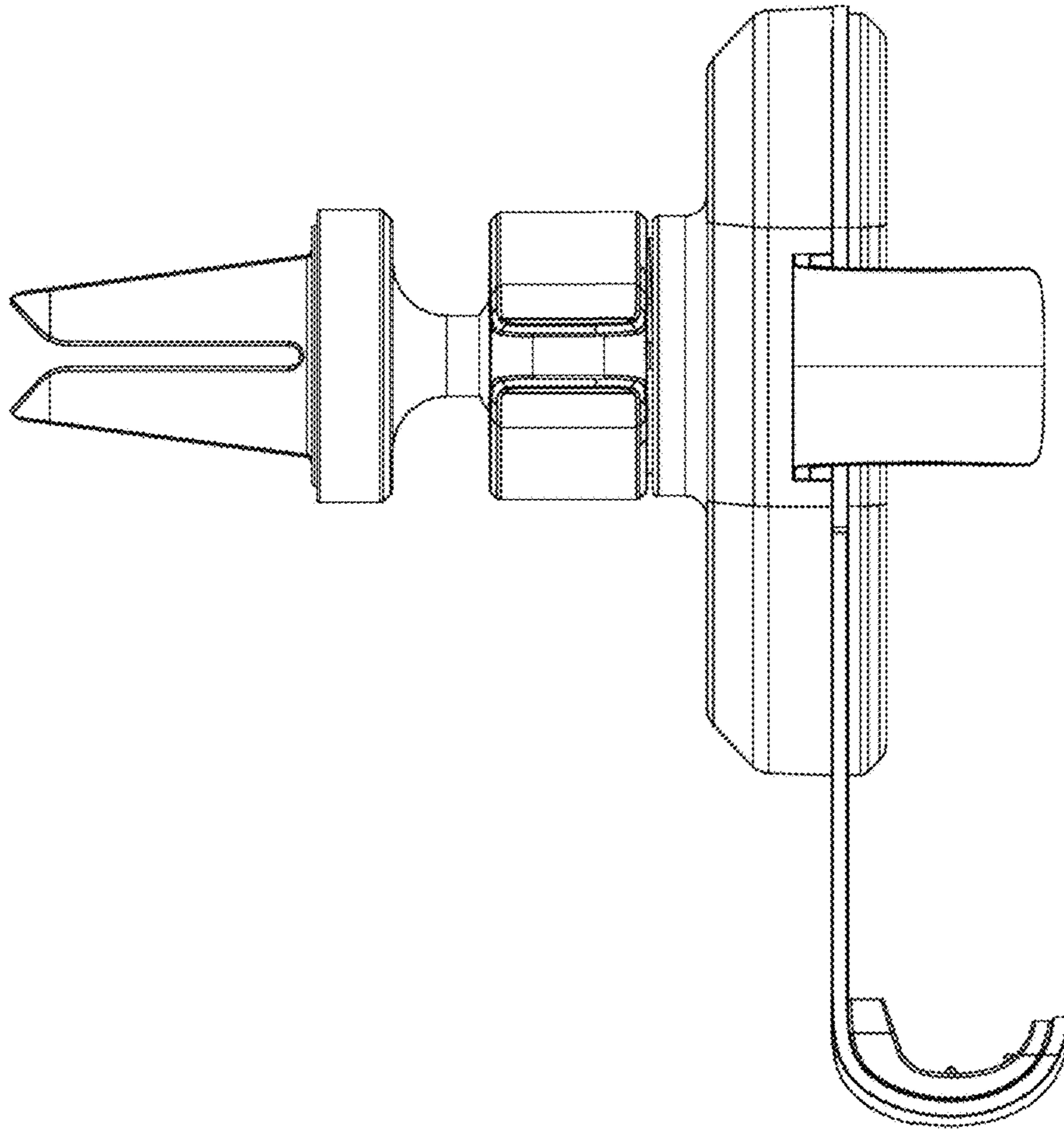


FIG. 5

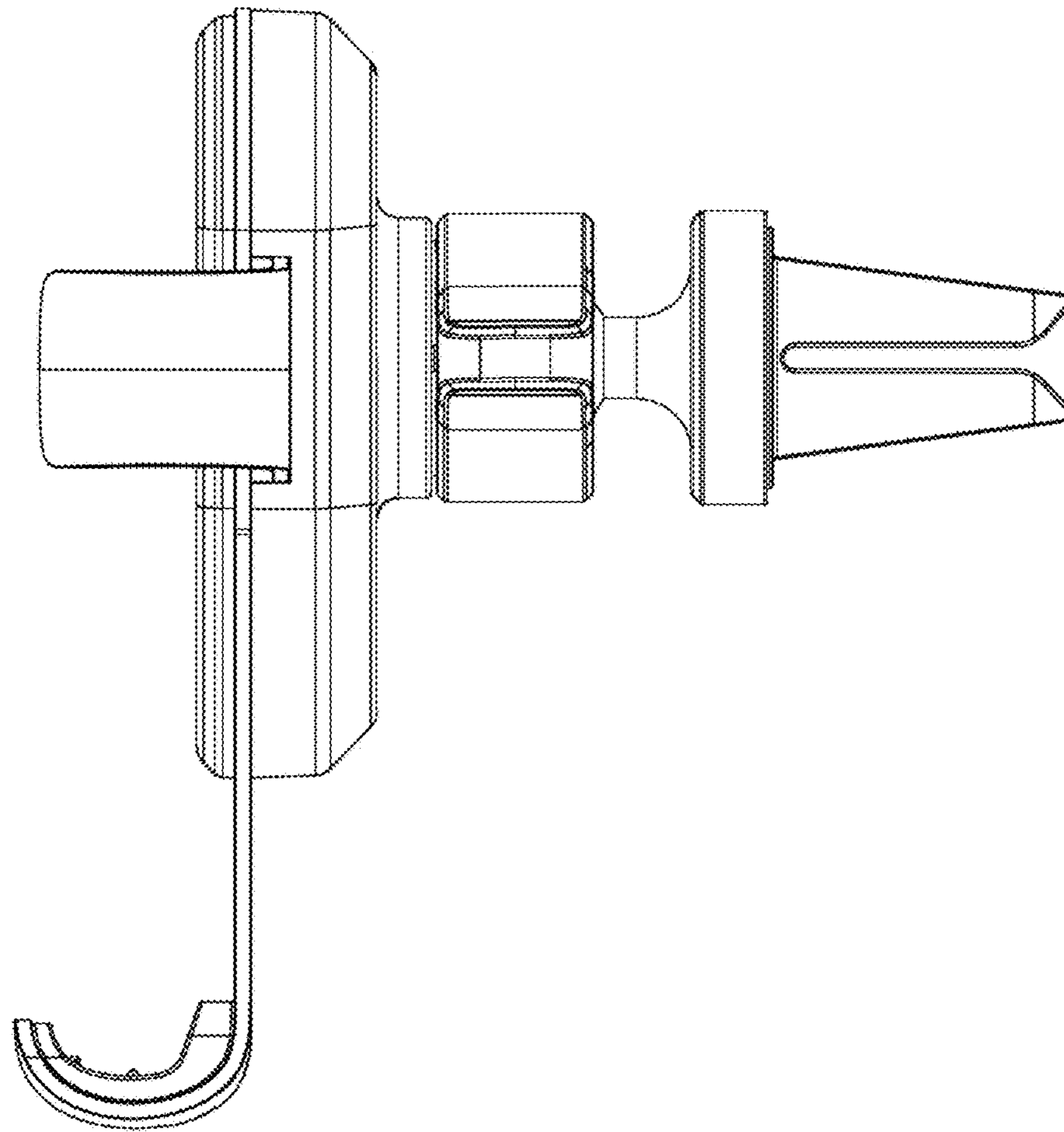


FIG. 6

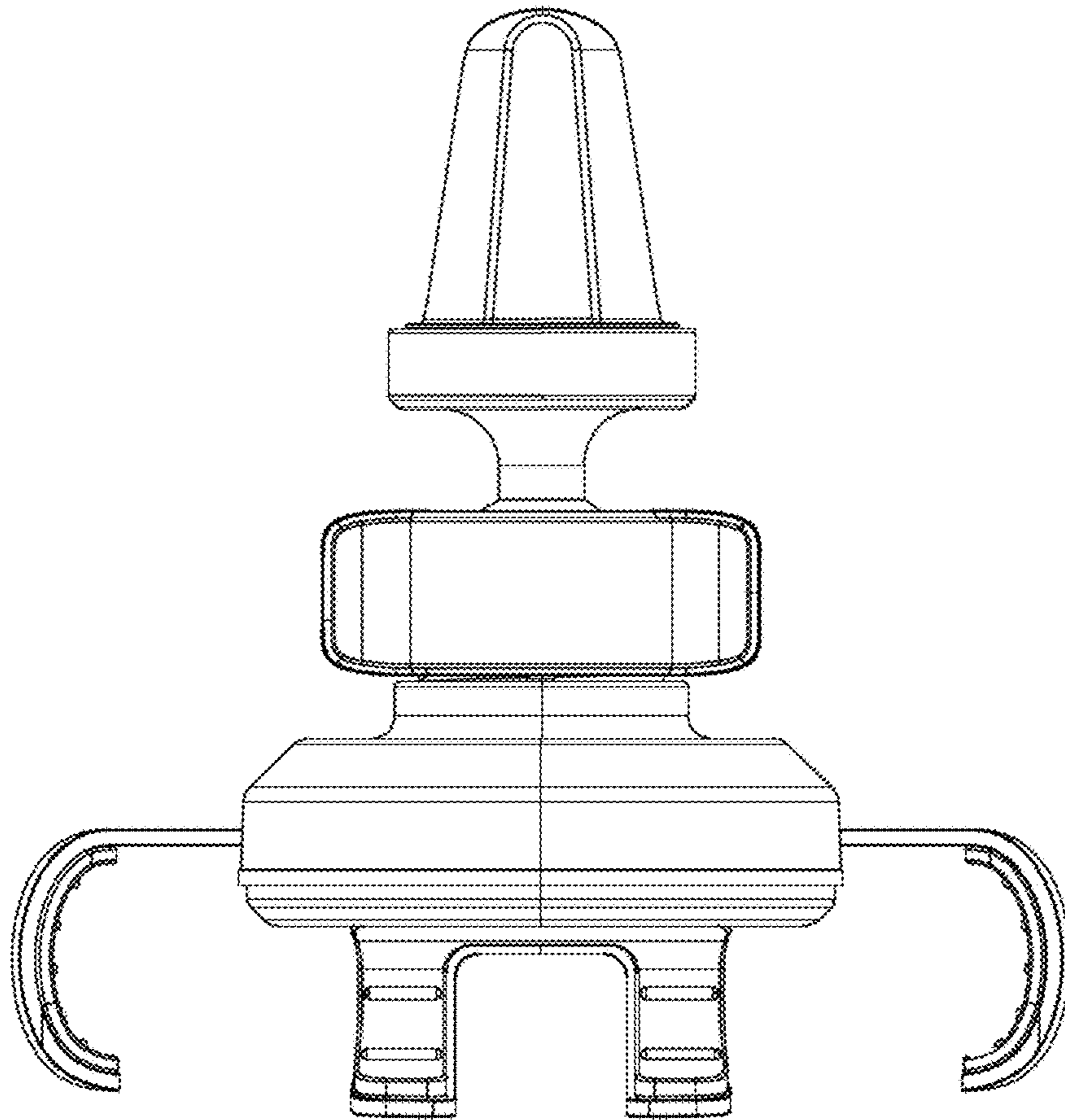


FIG. 7



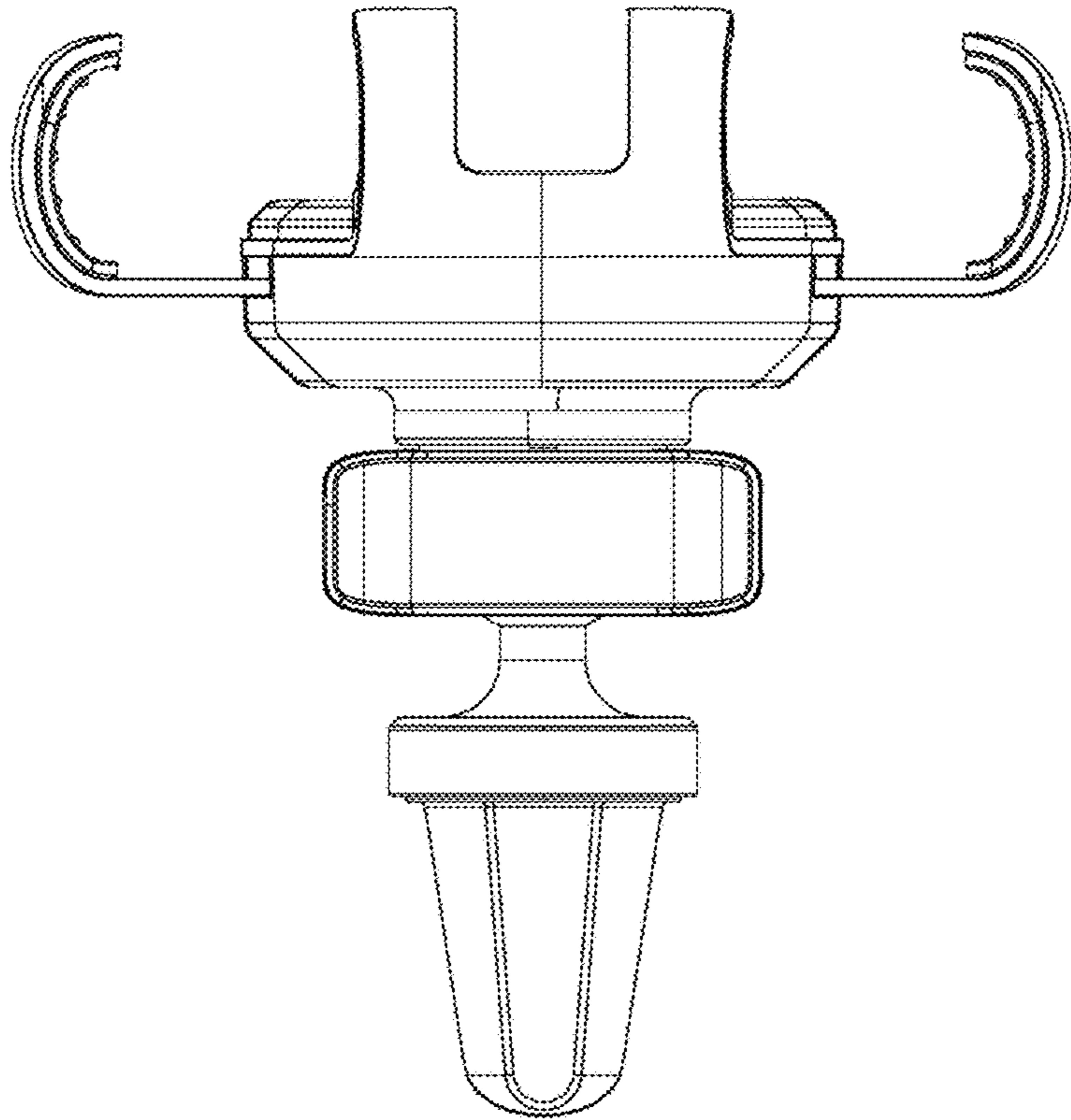


FIG. 8