



US00D864089S

(12) **United States Design Patent** (10) **Patent No.:** **US D864,089 S**
Dorminey et al. (45) **Date of Patent:** **** Oct. 22, 2019**

(54) **TRUCK CONTAINER WITH SECURE SIDE-ENTRY COMPARTMENT**

Primary Examiner — Katrina A Betton
(74) *Attorney, Agent, or Firm* — Withers & Keys, LLC

(71) Applicants: **Roger Donald Dorminey**, Tifton, GA (US); **Randall George Martin**, Tifton, GA (US); **James William Scott**, Tifton, GA (US)

(57) **CLAIM**

The ornamental design for a truck container with secure side-entry compartment, as shown and described.

(72) Inventors: **Roger Donald Dorminey**, Tifton, GA (US); **Randall George Martin**, Tifton, GA (US); **James William Scott**, Tifton, GA (US)

DESCRIPTION

(**) Term: **15 Years**

FIG. 1 is a perspective view of a truck container with secure side-entry compartment showing our new design as viewed from a front side of the truck container;
FIG. 2 is a side view as viewed from the left-hand side of the truck container with secure side-entry compartment shown in FIG. 1;
FIG. 3 is a side view as viewed from the right-hand side of the truck container with secure side-entry compartment shown in FIG. 1;
FIG. 4 is a frontal view of the truck container with secure side-entry compartment shown in FIG. 1;
FIG. 5 is a rear view of the truck container with secure side-entry compartment shown in FIG. 1;
FIG. 6 is a top view of the truck container with secure side-entry compartment shown in FIG. 1;
FIG. 7 is a bottom view of the truck container with secure side-entry compartment shown in FIG. 1;
FIG. 8 is a perspective view of the truck container with secure side-entry compartment shown in FIG. 1 as viewed with each opposing door to the secure side-entry compartment of the truck container in an open position; and,
FIG. 9 is a top view of the truck container with secure side-entry compartment shown in FIG. 1 as viewed with an upper container lid in an open position and secure side-entry compartments of the truck container shown in dashed lines to indicate access via the side-entry only, not via the upper container lid.
The broken lines shown in the drawings illustrate portions of the truck container with secure side-entry compartment that forms no part of the claimed design.

(21) Appl. No.: **29/590,392**

(22) Filed: **Jan. 10, 2017**

(51) **LOC (12) Cl.** **12-16**

(52) **U.S. Cl.**
USPC **D12/414.1**

(58) **Field of Classification Search**
USPC ... D12/414.1, 414, 413, 412, 221, 406, 157, D12/423; D6/552, 317-319, 513-514; D3/304-306; D32/35, 58
CPC B60R 7/02; B60R 9/04; B60R 9/055
See application file for complete search history.

(56) **References Cited**

U.S. PATENT DOCUMENTS

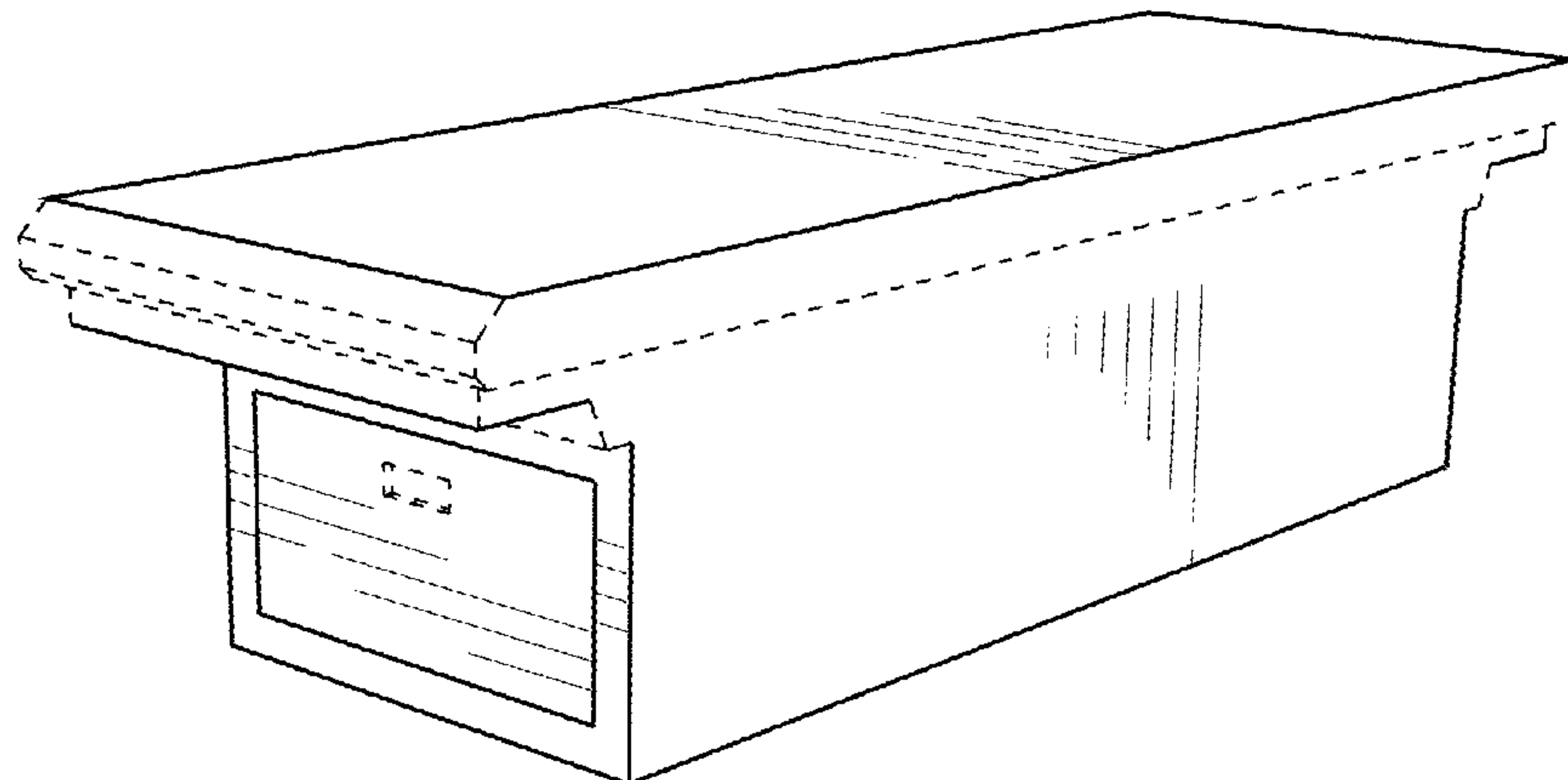
5,303,969	A	4/1994	Simmacher	
6,010,046	A	1/2000	Neeser	
6,089,429	A	7/2000	Everson	
D626,062	S *	10/2010	Giddens	D12/414.1
D658,373	S *	5/2012	Gros	D12/414.1
D713,323	S *	9/2014	Gearner, III	D12/414.1

(Continued)

OTHER PUBLICATIONS

Woodcrafters Everything for the Woodworkers, and More!, p. 13, item H-3428, 2012 and 2013.*

1 Claim, 9 Drawing Sheets



(56)

References Cited

U.S. PATENT DOCUMENTS

D722,009	S	*	2/2015	Roach	D12/414.1
D755,707	S	*	5/2016	Roach	D12/414.1
D765,014	S	*	8/2016	Roach	D12/414.1
D766,810	S	*	9/2016	Haun	D12/414.1
D771,544	S	*	11/2016	Christofferson	D12/414.1
D772,141	S	*	11/2016	Christofferson	D12/414.1
9,481,403	B1		11/2016	Johnson		
D816,587	S	*	5/2018	Perkins	D12/414.1
D818,420	S	*	5/2018	Roach	D12/414.1
2012/0200106	A1		8/2012	Villano		
2014/0231477	A1		8/2014	Perkins		

* cited by examiner

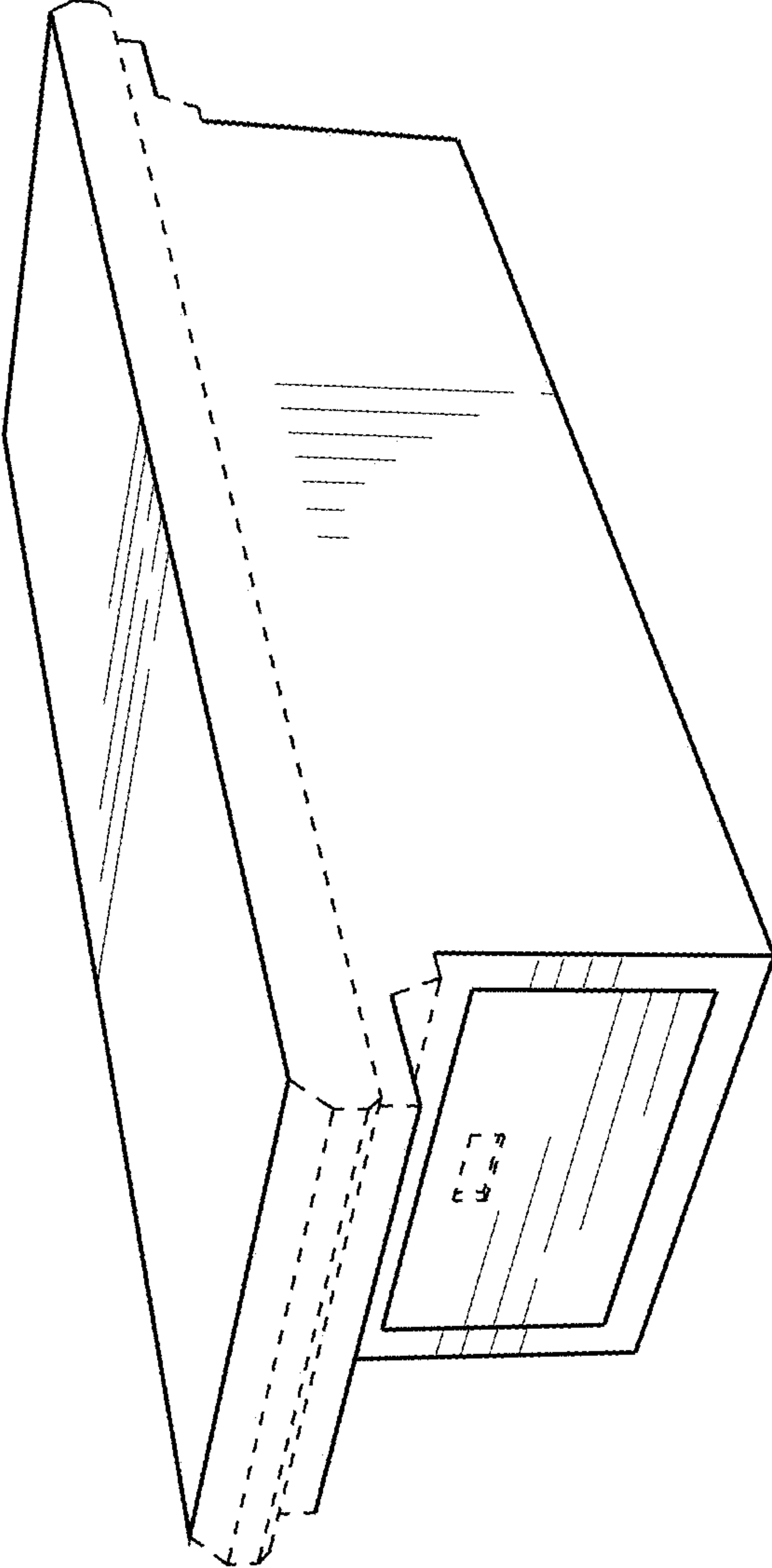


FIG. 1

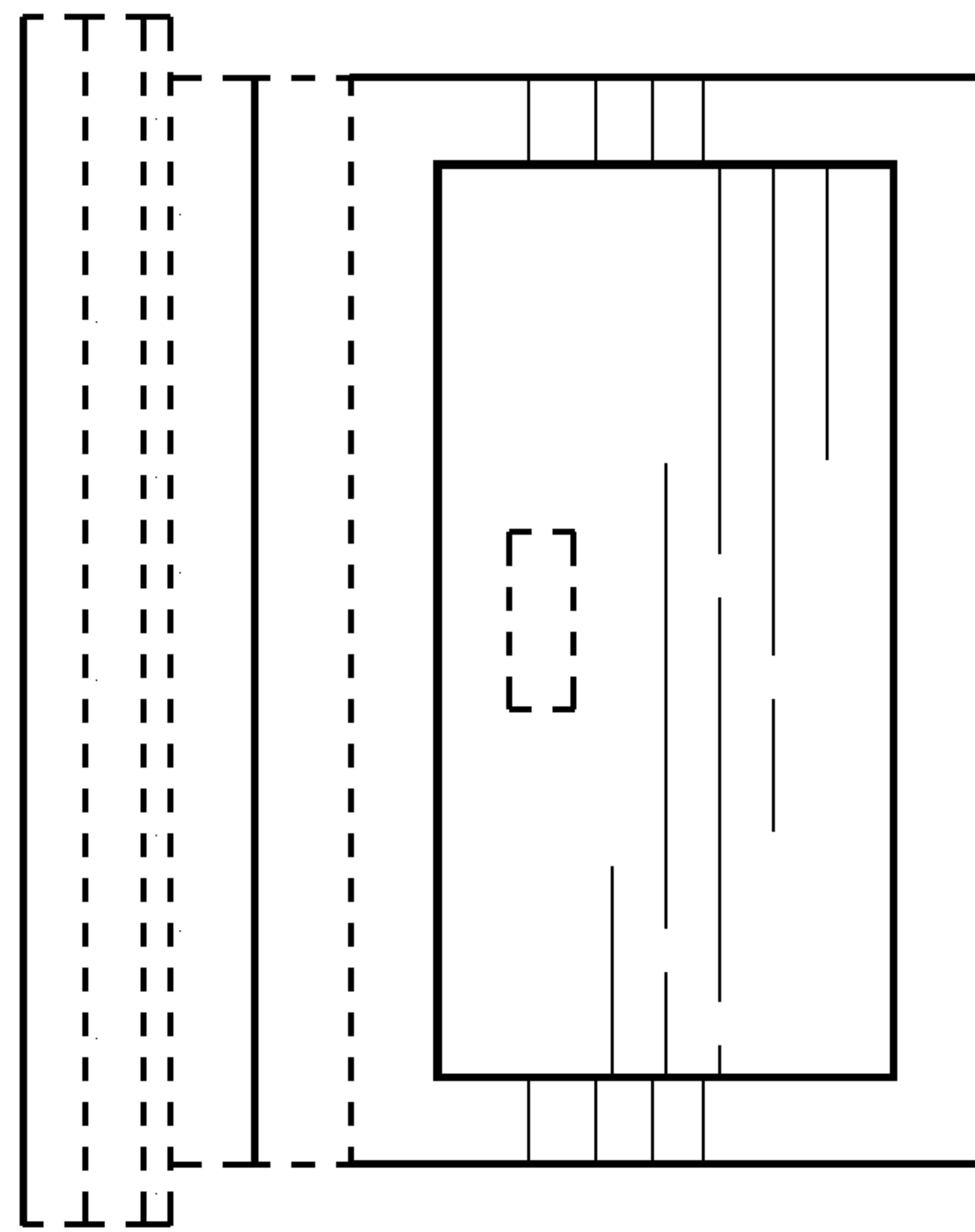


FIG. 2

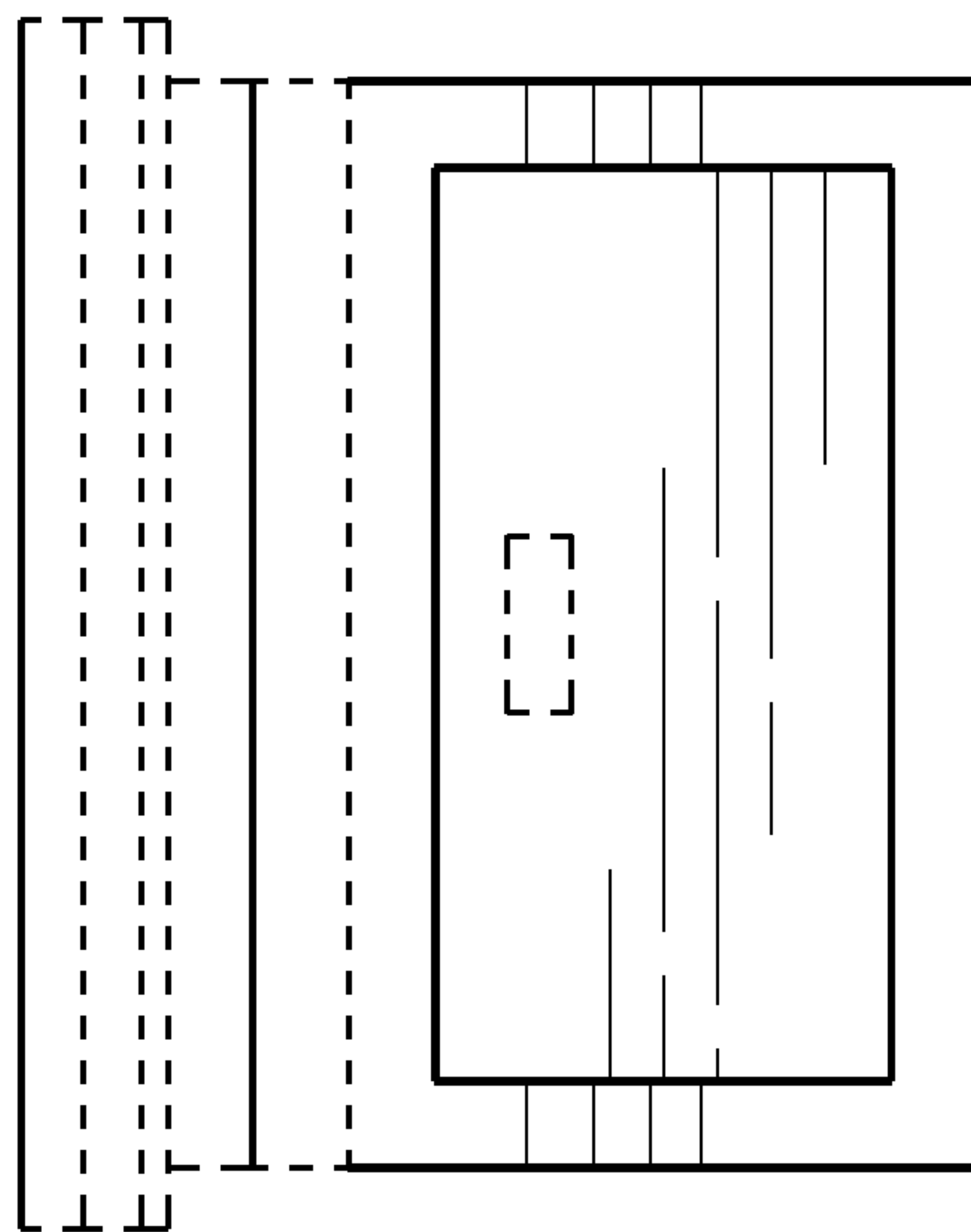


FIG. 3

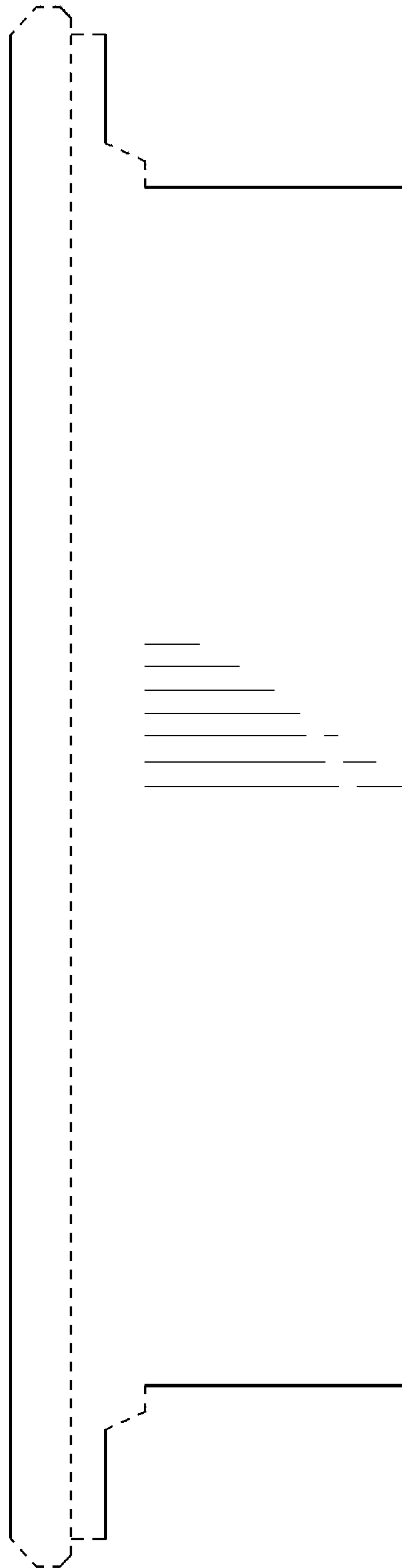


FIG. 4

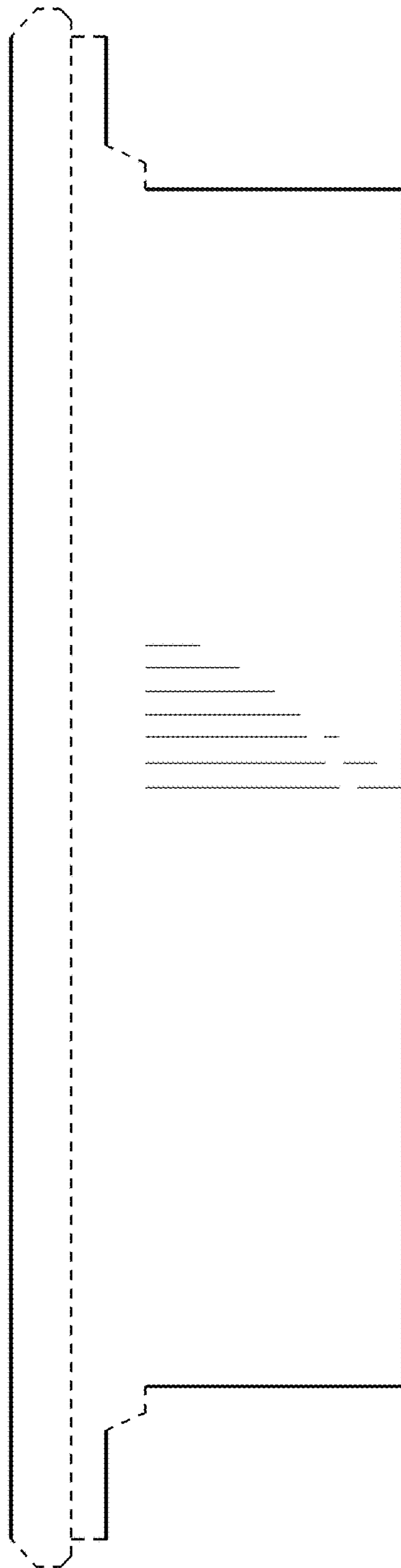


FIG. 5

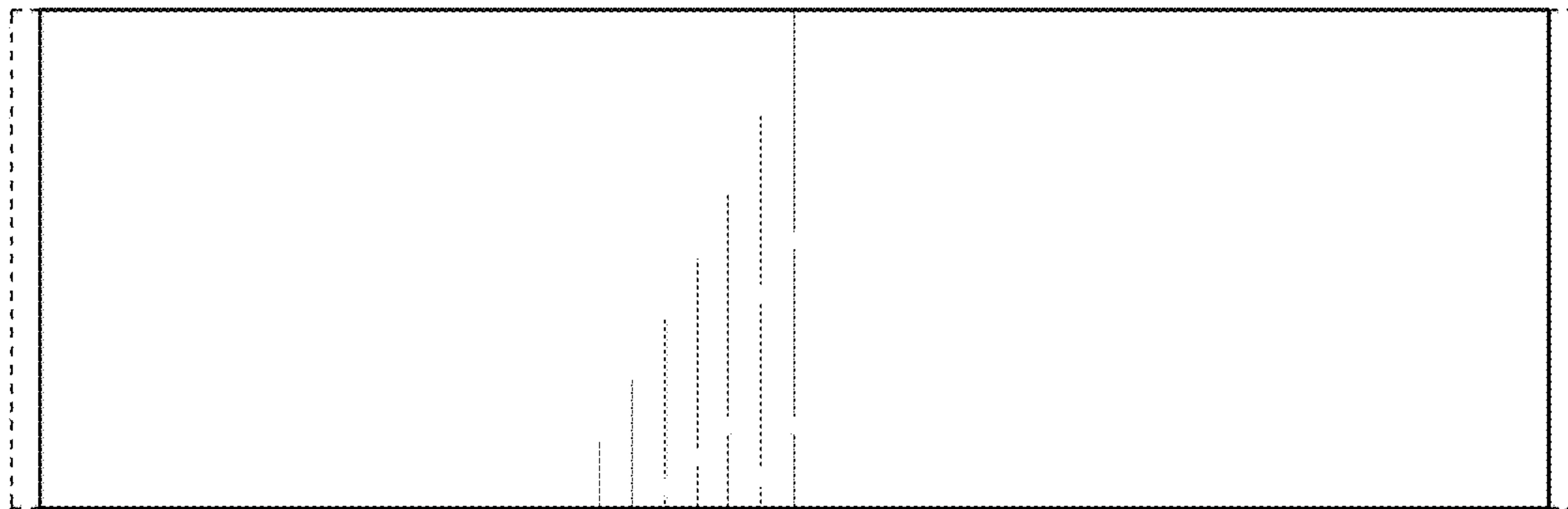


FIG. 6

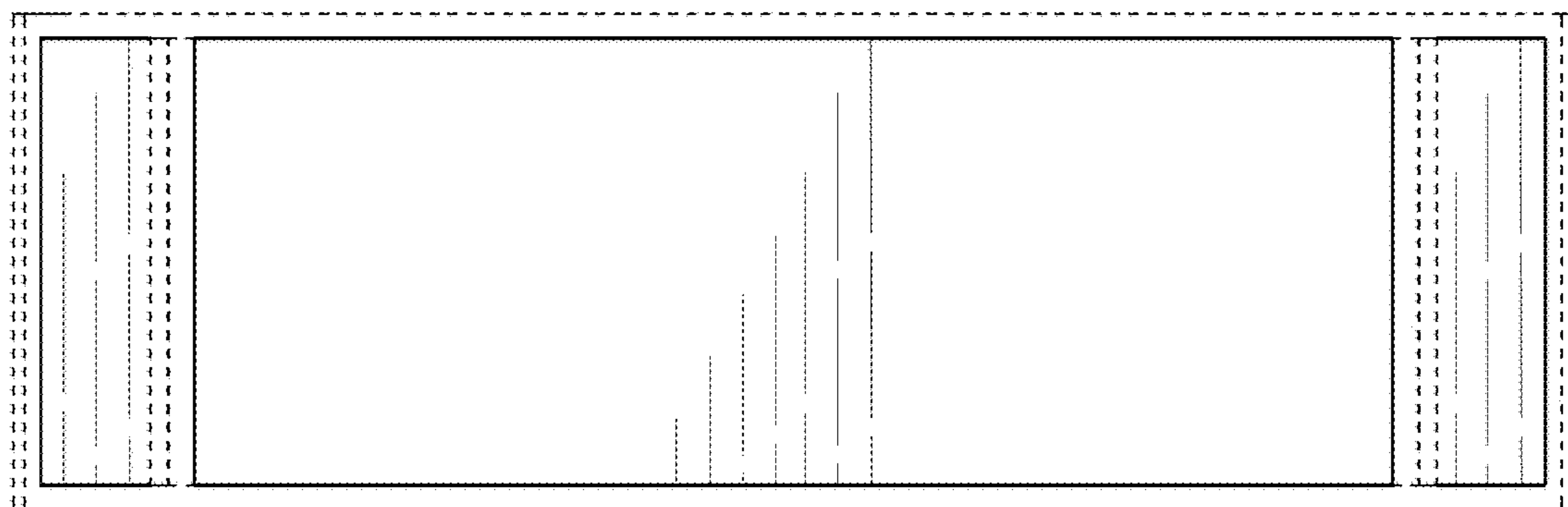


FIG. 7

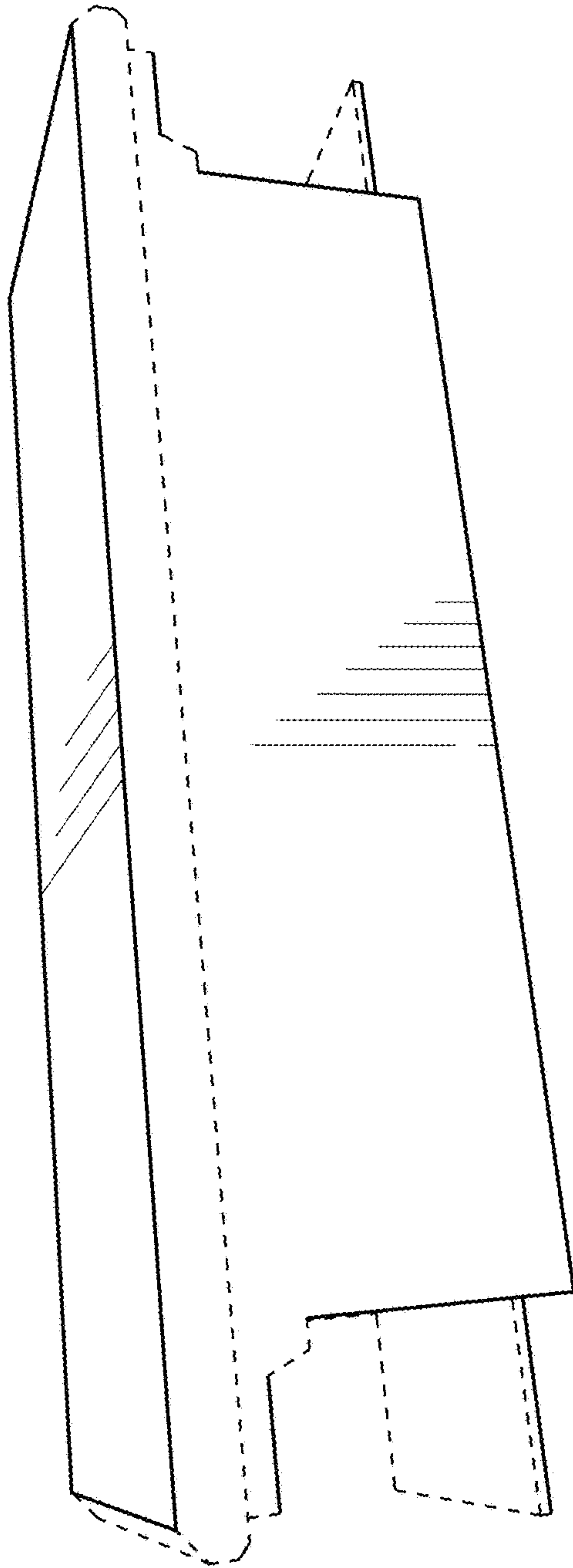


FIG. 8

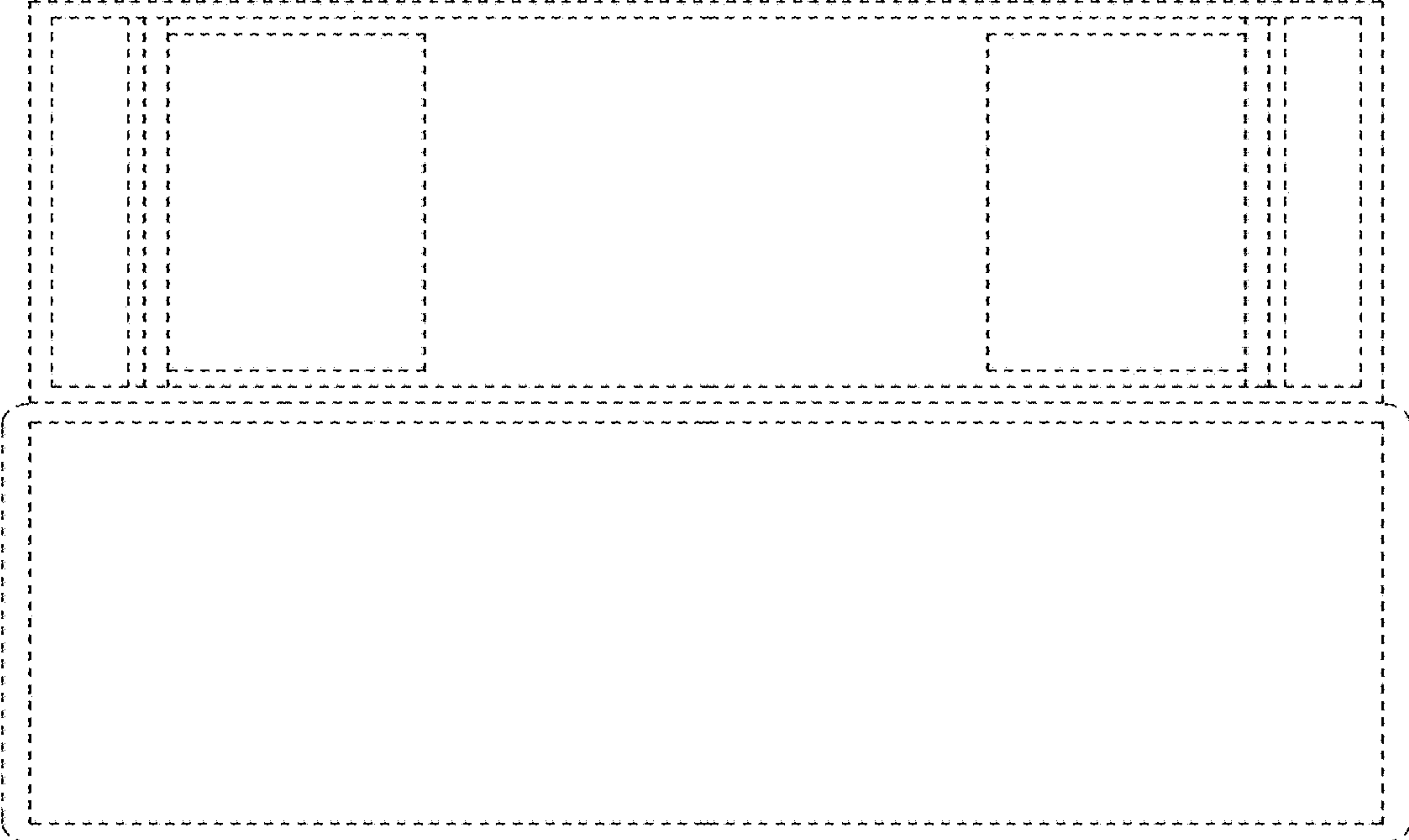


FIG. 9