

US00D864087S

(12) **United States Design Patent** (10) **Patent No.:** **US D864,087 S**
Walker (45) **Date of Patent:** **** Oct. 22, 2019**

(54) **RACK STRUCTURE FOR A UTILITY VEHICLE**

(71) Applicant: **QUACK RACK LLC**, Friendswood, TX (US)

(72) Inventor: **Garrett Walker**, Friendswood, TX (US)

(73) Assignee: **QUACK RACK LLC**, Friendswood, TX (US)

(**) Term: **15 Years**

(21) Appl. No.: **29/637,909**

(22) Filed: **Feb. 22, 2018**

Related U.S. Application Data

(63) Continuation of application No. 29/560,420, filed on Apr. 6, 2016, now Pat. No. Des. 814,389.

(51) **LOC (12) Cl.** **12-16**

(52) **U.S. Cl.**
USPC **D12/412**

(58) **Field of Classification Search**
USPC D12/412, 406, 413, 414, 414.1; D6/552;
D3/304-306

CPC B60R 9/04; B60R 9/048; B60R 9/045
See application file for complete search history.

(56) **References Cited**

U.S. PATENT DOCUMENTS

D547,752 S 7/2007 Lee
D624,005 S * 9/2010 Winner D12/412
D638,333 S 5/2011 Freeman
D670,639 S 11/2012 Hanks

D765,577 S * 9/2016 Kmita D12/412
D772,782 S 11/2016 Johnson
D772,783 S 11/2016 Schleef
D793,946 S 8/2017 Badillo
D807,276 S * 1/2018 Aden D12/412
D809,997 S * 2/2018 Conner D12/412
D811,986 S * 3/2018 Torres D12/412
D813,785 S * 3/2018 Badillo D12/412
D814,389 S * 4/2018 Walker D12/412
D815,012 S * 4/2018 Badillo D12/412
D816,011 S * 4/2018 Garcia D12/406
2005/0092796 A1 * 5/2005 Essig B60R 9/00
224/321
2005/0095102 A1 5/2005 Watson
2011/0101056 A1 * 5/2011 Barkey B60R 9/052
224/321

* cited by examiner

Primary Examiner — Katrina A Betton

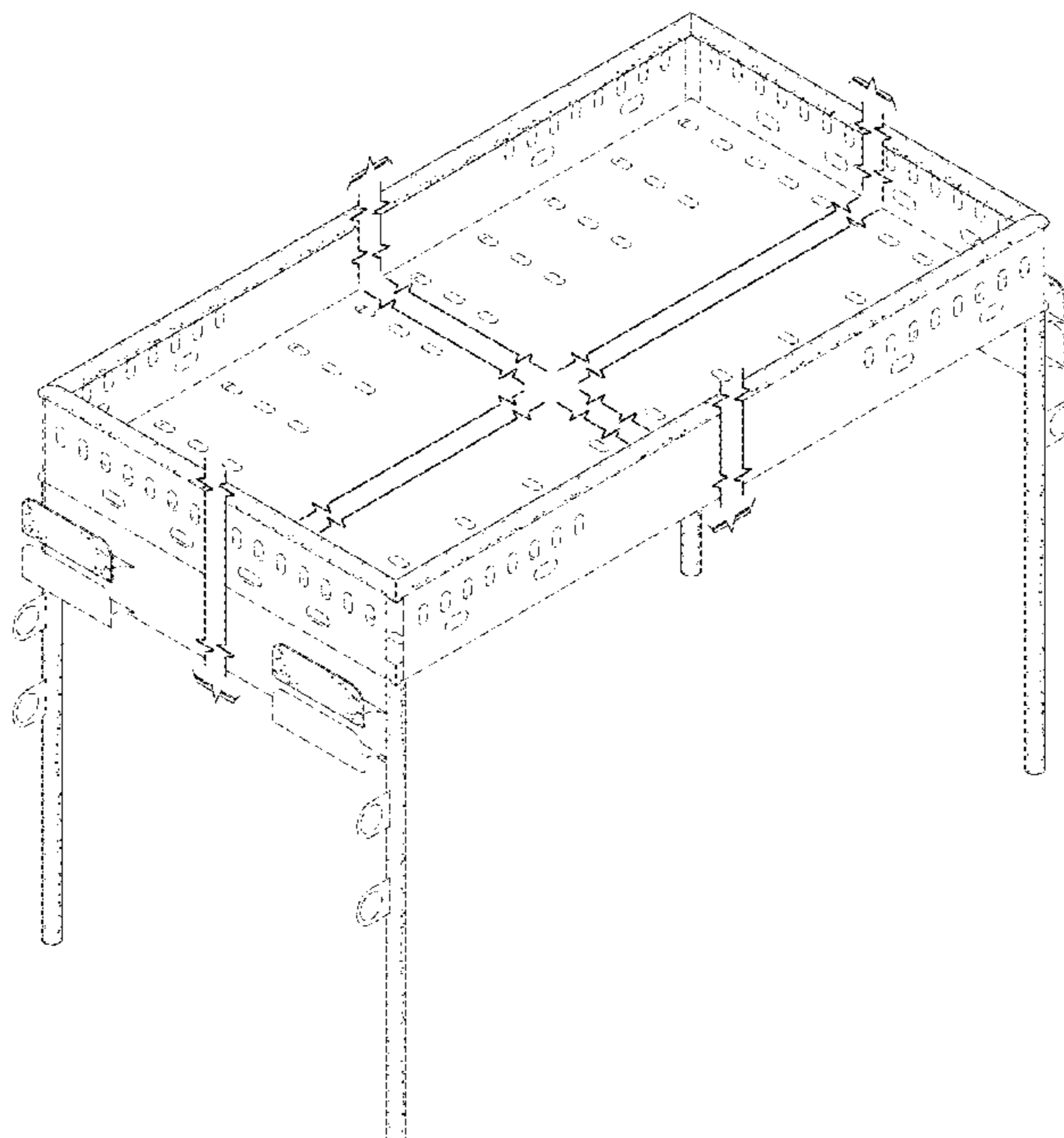
(57) **CLAIM**

The ornamental design for a rack structure for a utility vehicle, as shown and described.

DESCRIPTION

FIG. 1 is a front perspective view of a rack structure for a utility vehicle showing the unique design;
FIG. 2 is a front view thereof;
FIG. 3 is a side view thereof; and,
FIG. 4 is a top view thereof.
The rack structure for a utility vehicle is shown with breakaway away lines in FIGS. 1-4 of the drawings to indicate indeterminate length and width. FIGS. 1-4 of the drawings are shown with broken lines to indicate environmental structure or boundaries that form no part of the design.

1 Claim, 4 Drawing Sheets



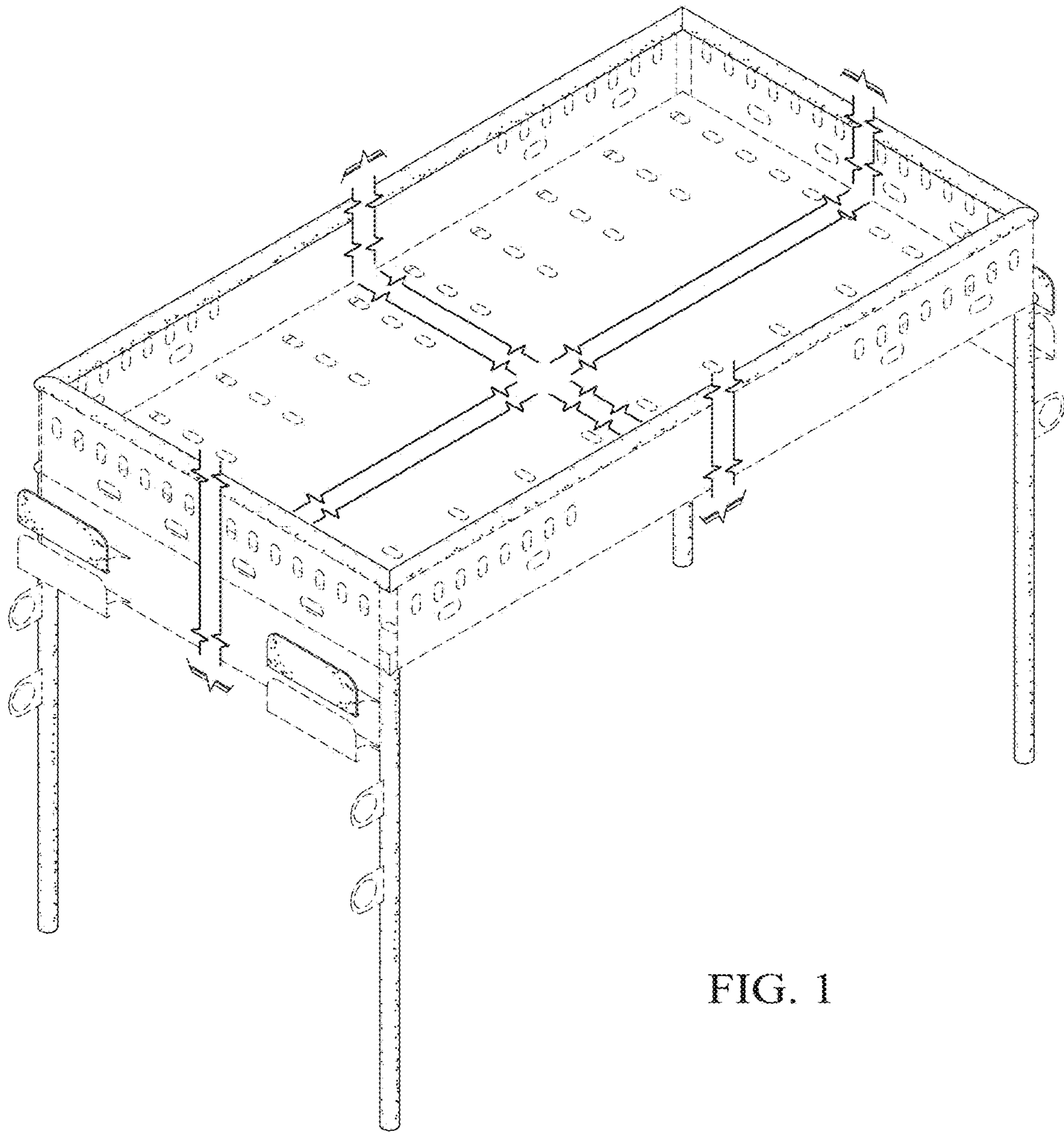


FIG. 1

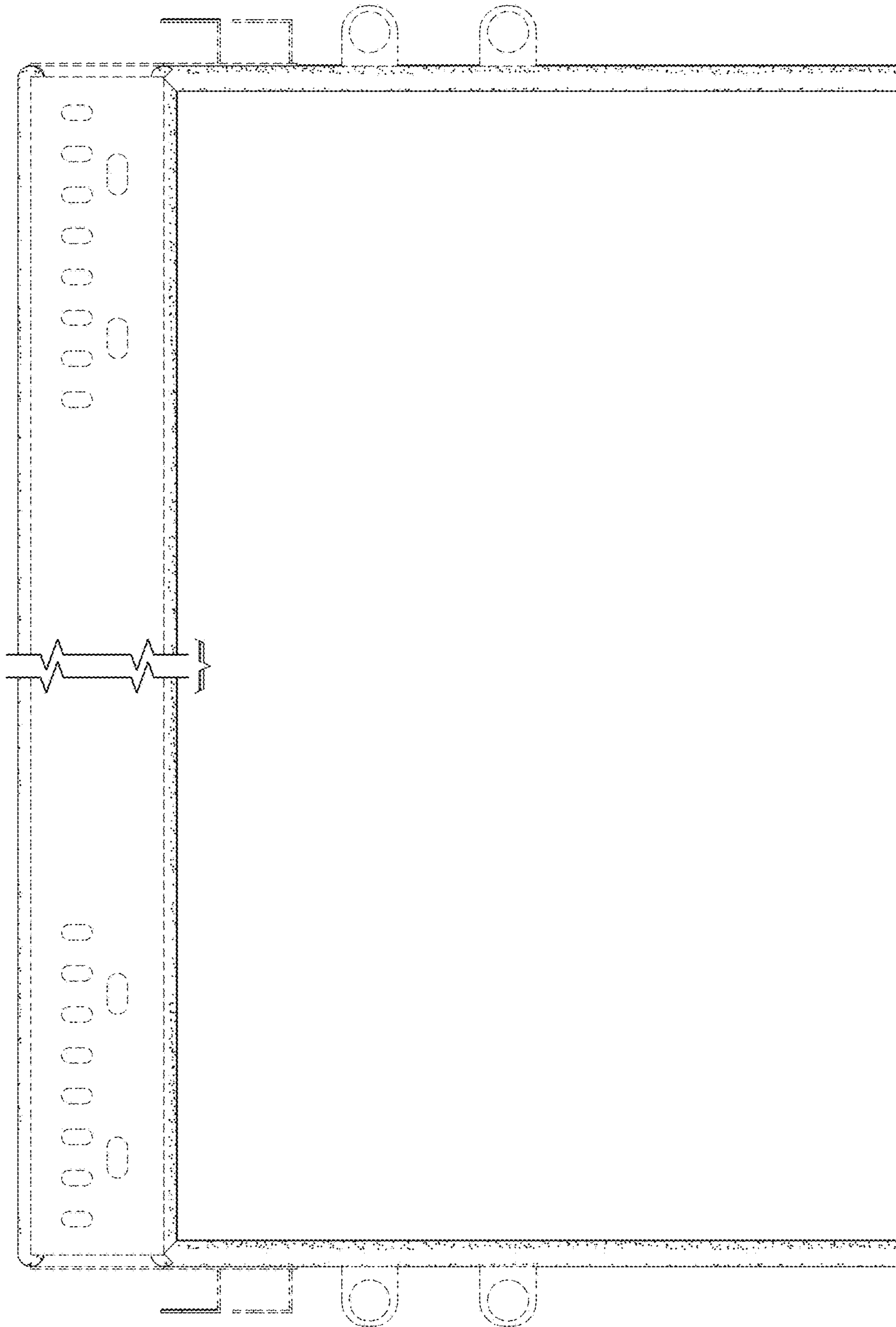


FIG. 2

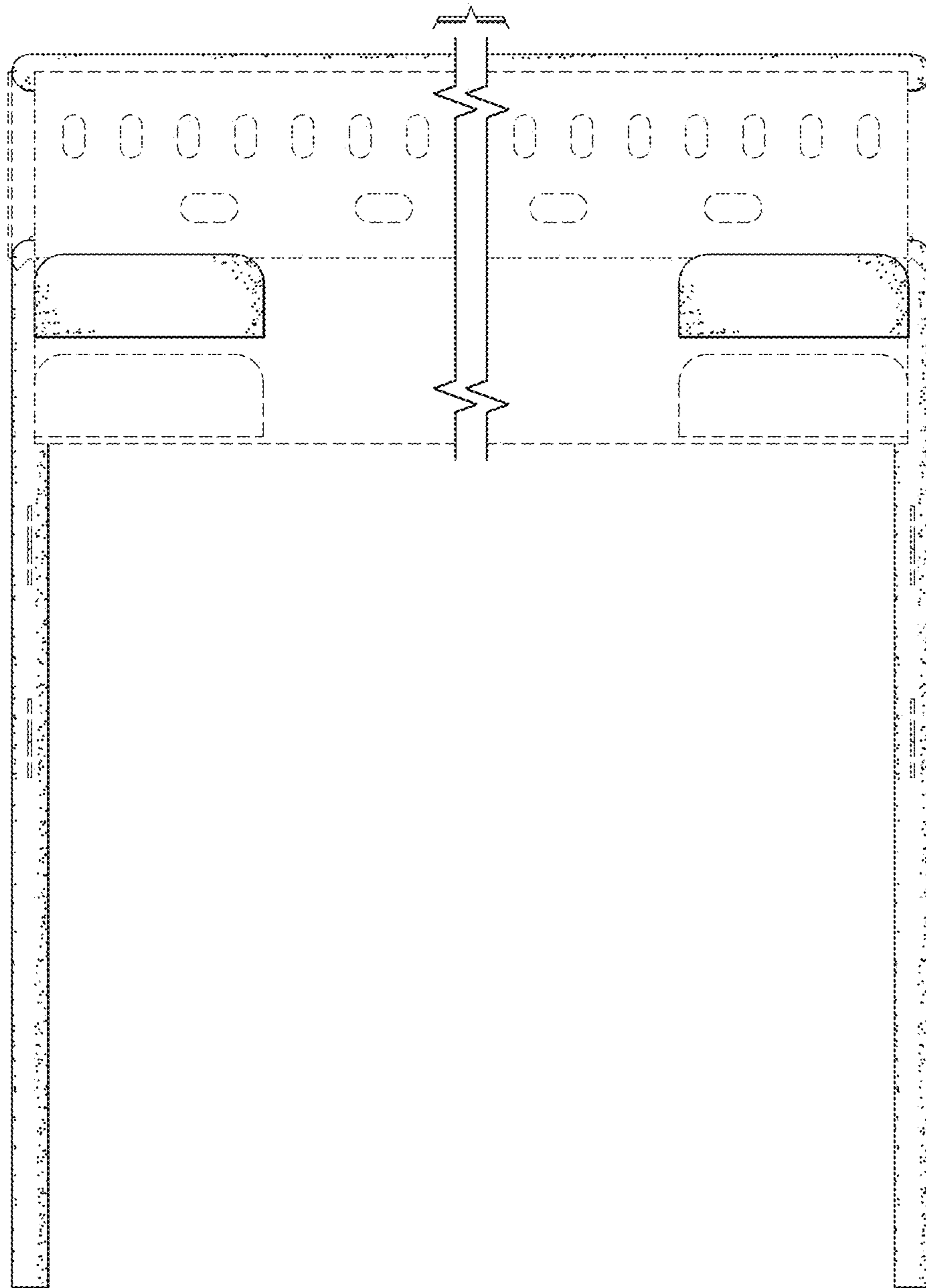


FIG. 3

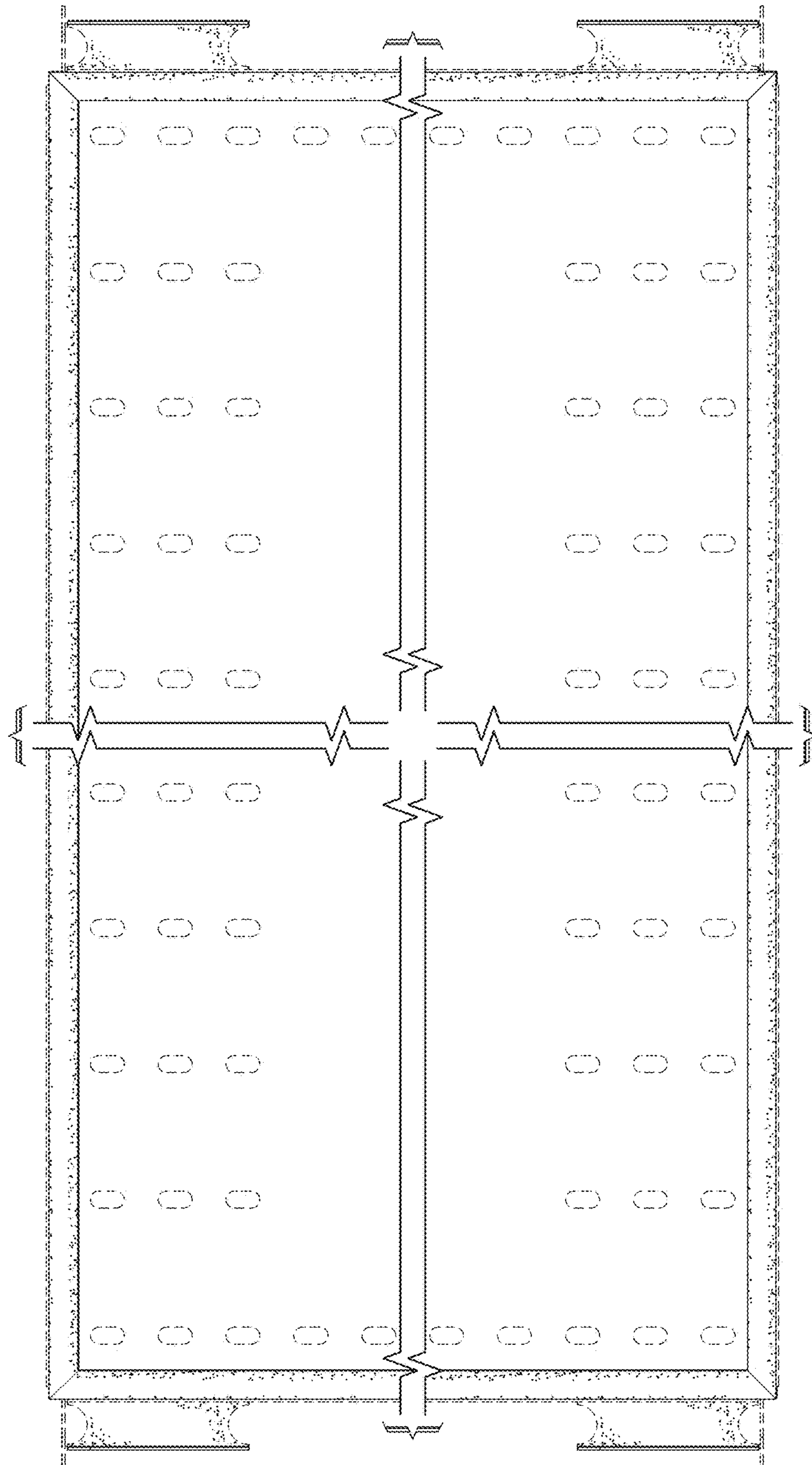


FIG. 4