



US00D864086S

(12) **United States Design Patent**
Breece

(10) **Patent No.:** **US D864,086 S**

(45) **Date of Patent:** **** Oct. 22, 2019**

(54) **VEHICLE BED COVER**

(71) Applicant: **Kenneth Breece**, New Hudson, MI
(US)

(72) Inventor: **Kenneth Breece**, New Hudson, MI
(US)

(**) Term: **15 Years**

(21) Appl. No.: **29/667,530**

(22) Filed: **Oct. 23, 2018**

(51) **LOC (12) Cl.** **12-16**

(52) **U.S. Cl.**
USPC **D12/404**

(58) **Field of Classification Search**
USPC D12/401-405; D6/611, 596, 601-603,
D6/615, 617, 621; D7/332, 334-337
CPC B60J 11/08; B60J 11/06; A47C 31/10
See application file for complete search history.

(56) **References Cited**

U.S. PATENT DOCUMENTS

4,451,075	A	5/1984	Canfield	
4,496,184	A	1/1985	Byrd	
D489,673	S *	5/2004	Block	D12/404
6,942,275	B2	9/2005	Corbett	
D615,477	S *	5/2010	Leone	D12/404
D616,355	S *	5/2010	Leone	D12/404
D623,583	S *	9/2010	Girardi	D12/404
7,954,881	B2	6/2011	Berg	
8,408,626	B1	4/2013	Herndon	
D731,952	S *	6/2015	Larson	D12/404
D748,564	S *	2/2016	Frascella	D12/404

D775,056	S *	12/2016	Wheel	D12/404
D785,542	S *	5/2017	Patel	D12/404
D793,945	S *	8/2017	Short	D12/404
D813,783	S *	3/2018	Dowdey	D12/404
D819,542	S *	6/2018	Hamlin	D12/404
D852,726	S *	7/2019	Varga	D12/404
2009/0256382	A1	10/2009	Stum	
2010/0045069	A1	2/2010	Koba	
2017/0210430	A1	7/2017	Erlandson	

FOREIGN PATENT DOCUMENTS

WO 2009089604 7/2009

* cited by examiner

Primary Examiner — Katrina A Betton

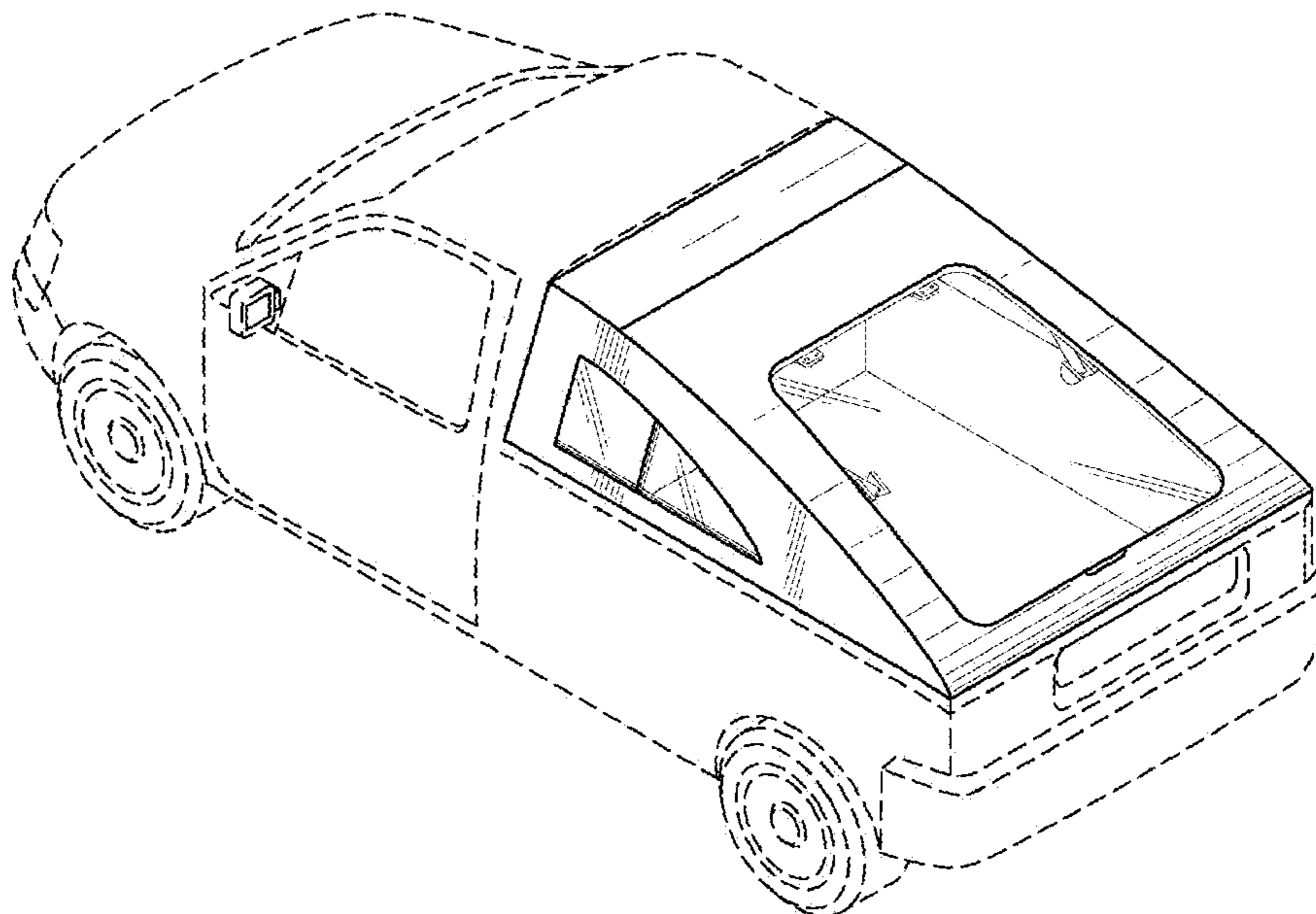
(57) **CLAIM**

I claim the ornamental design for a vehicle bed cover, as shown and described.

DESCRIPTION

FIG. 1 is a right side view of the vehicle bed cover.
 FIG. 2 is a left side view of the claimed design.
 FIG. 3 is a front view of the claimed design.
 FIG. 4 is a rear view of the claimed design.
 FIG. 5 is a top view of the claimed design.
 FIG. 6 is a bottom view of the claimed design.
 FIG. 7 is a right side view of the claimed design in an open configuration; and,
 FIG. 8 is a perspective view of the claimed design as appears on a vehicle.
 The broken lines appearing on FIG. 8 of a vehicle are environmental matter forming no part of the claimed design.

1 Claim, 4 Drawing Sheets



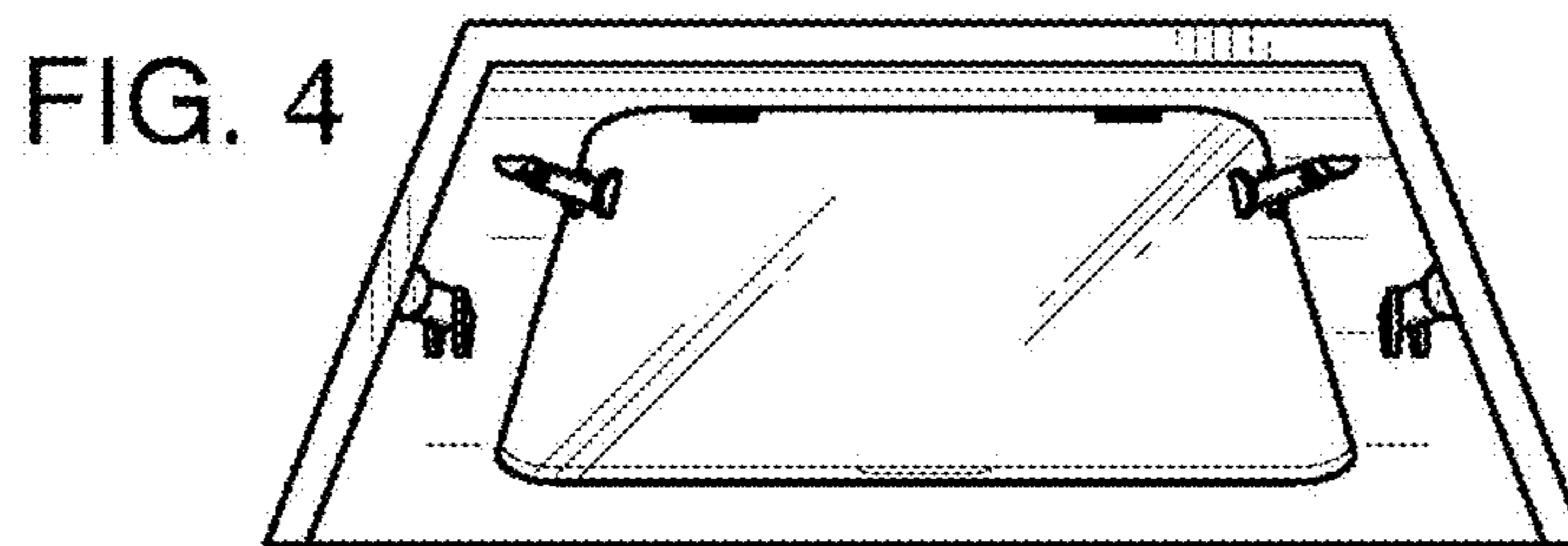
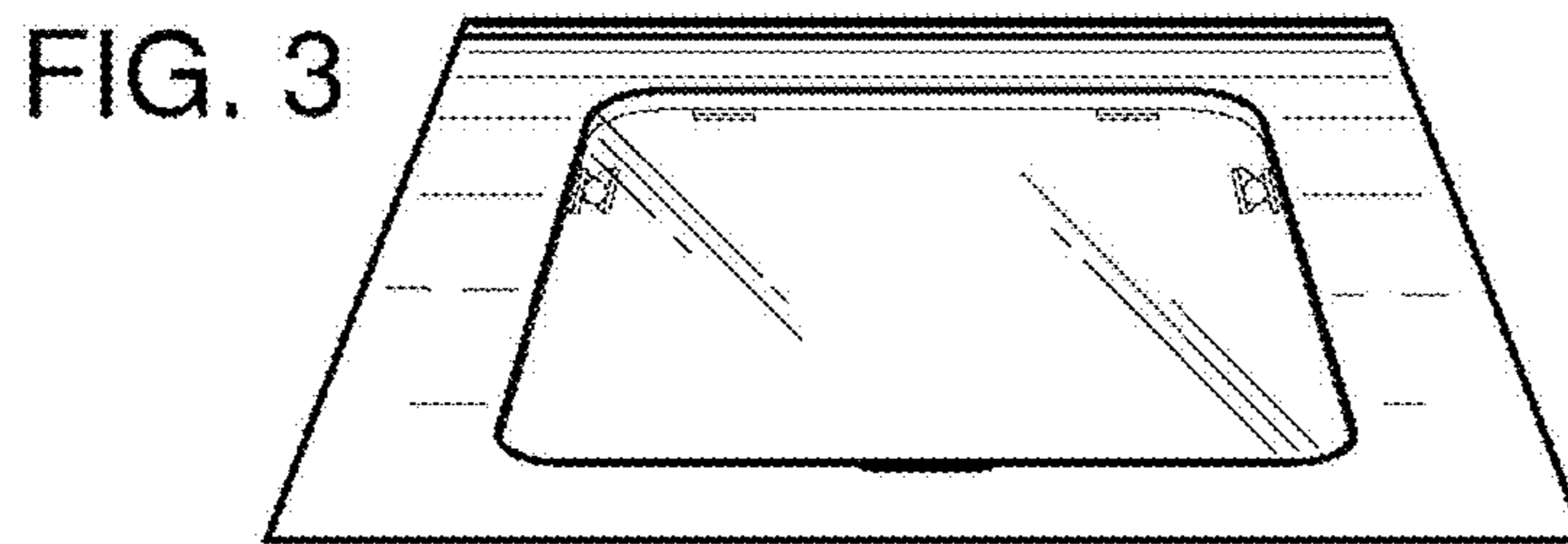
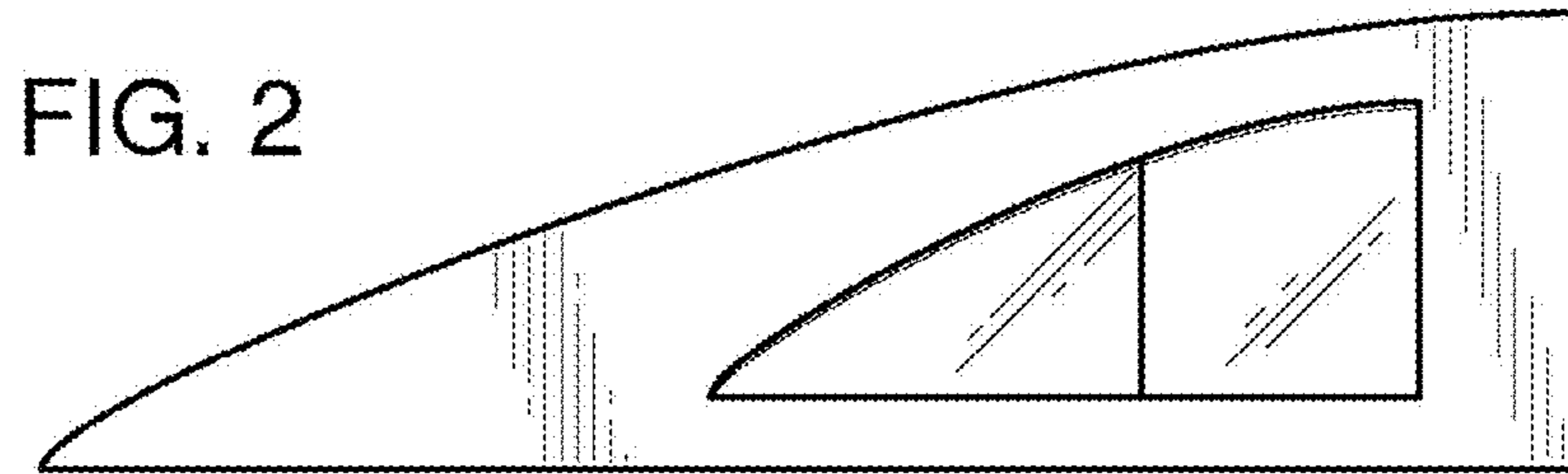
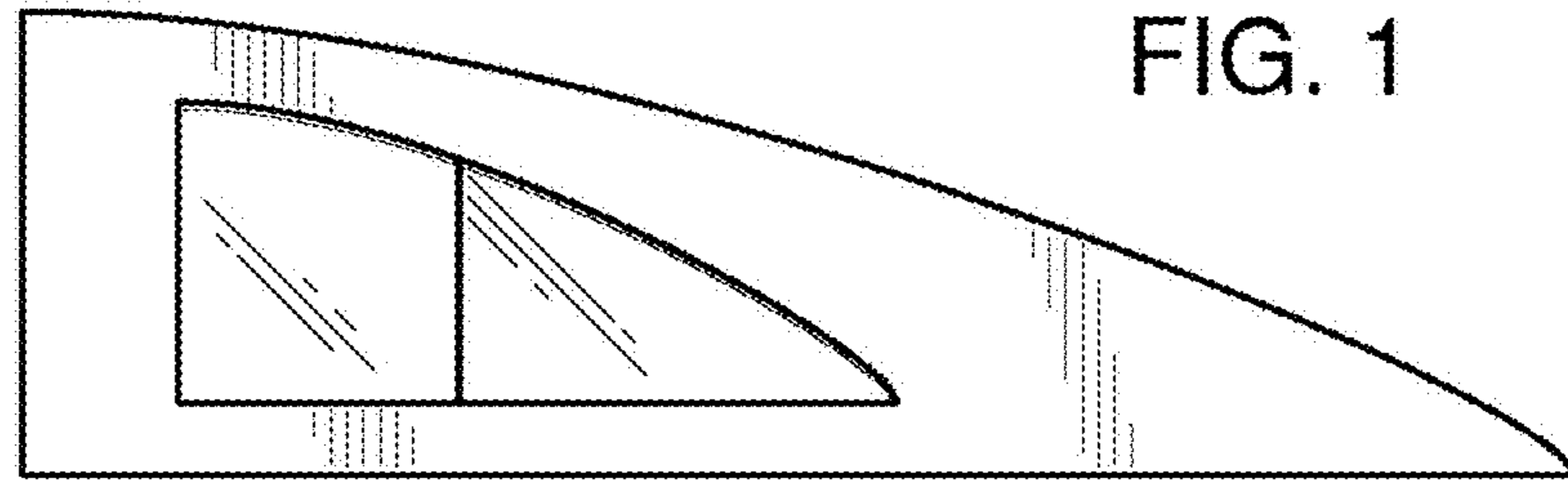


FIG. 5

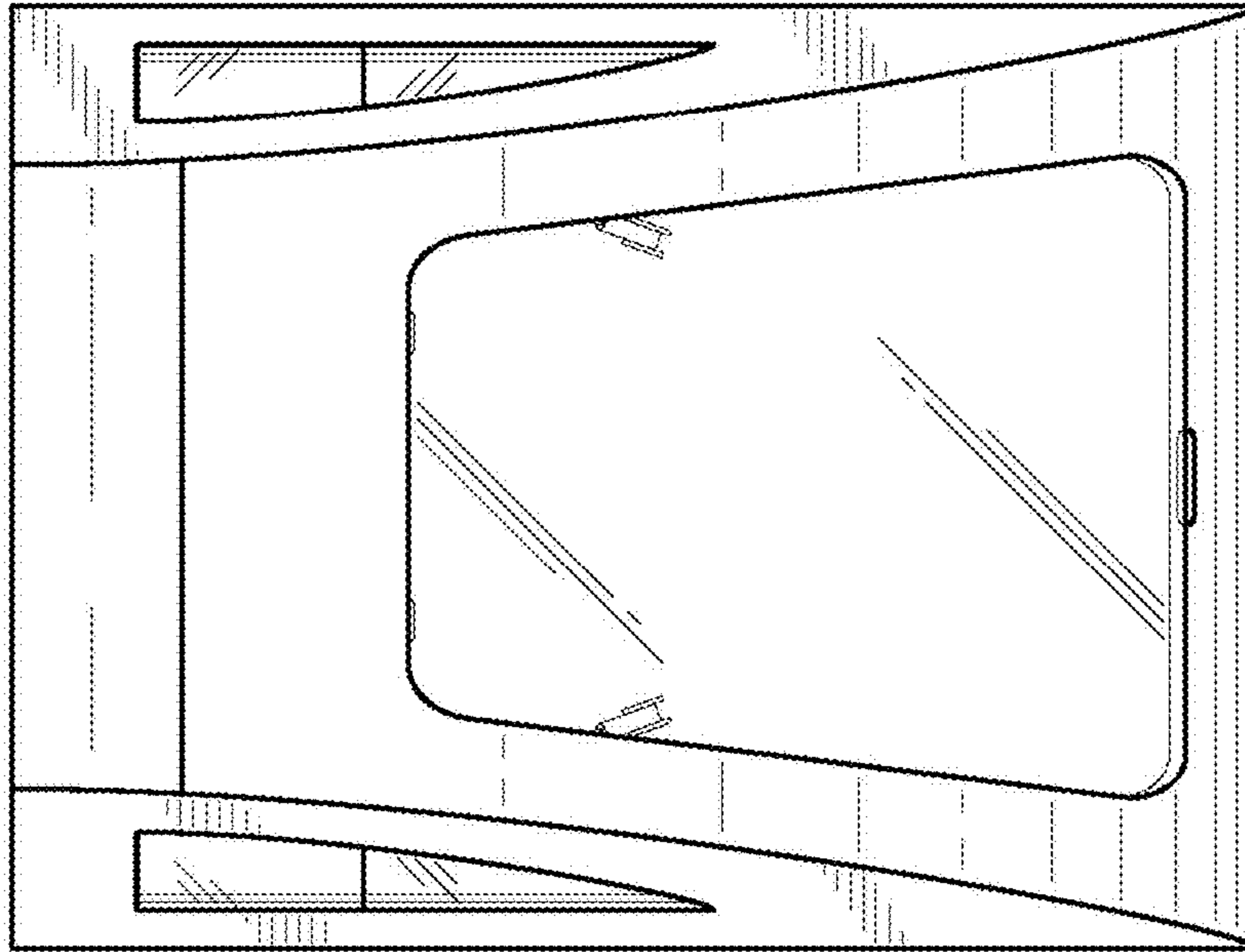


FIG. 6

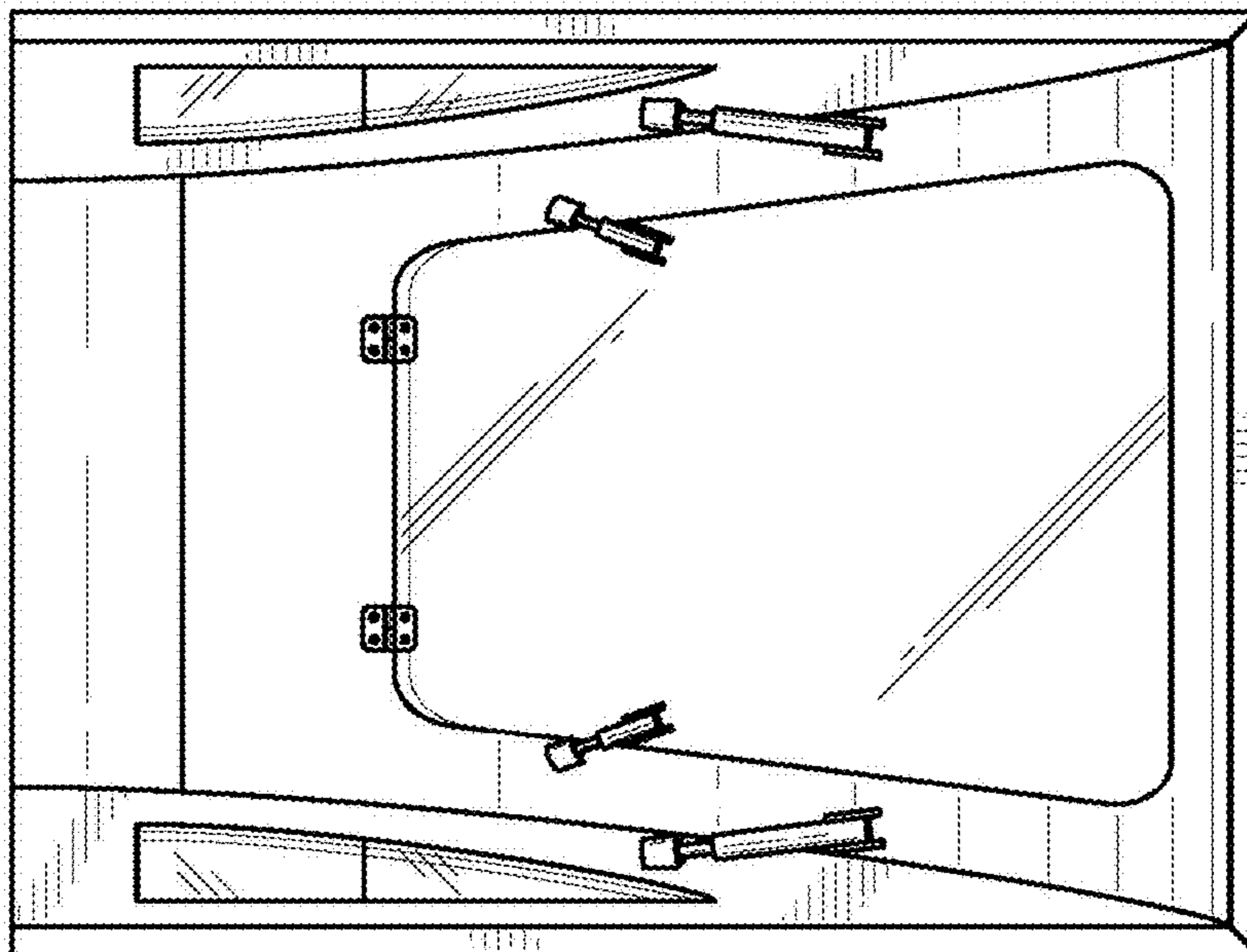


FIG. 7

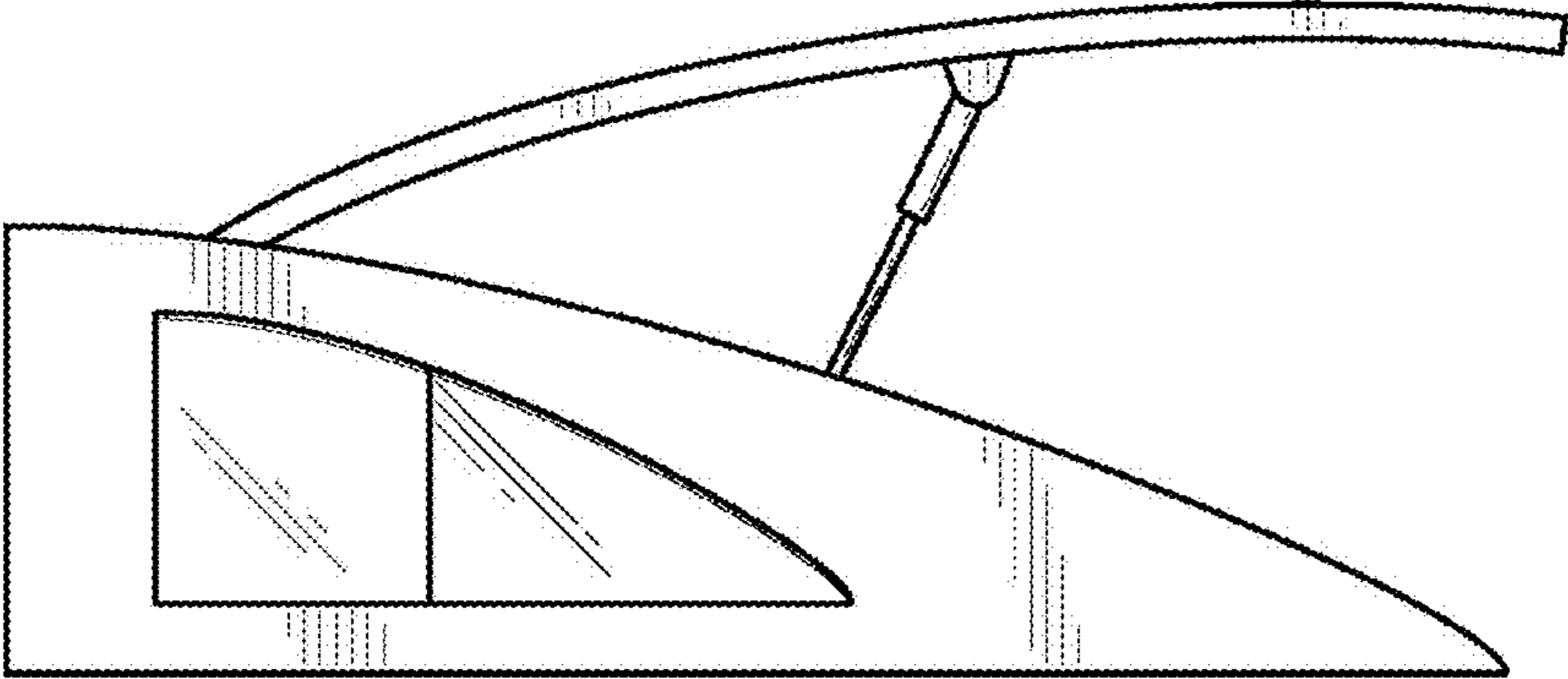


FIG. 8

