



US00D864083S

(12) **United States Design Patent**  
**Zhou**

(10) **Patent No.:** **US D864,083 S**

(45) **Date of Patent:** **\*\* Oct. 22, 2019**

- (54) **QUADCOPTER**
- (71) Applicant: **Jun Zhou**, Shaoyan (CN)
- (72) Inventor: **Jun Zhou**, Shaoyan (CN)
- (73) Assignee: **GUANGDONG SHIJI TECHNOLOGY CO., LTD**, Shantou (CN)
- (\*\*) Term: **15 Years**
- (21) Appl. No.: **29/621,446**
- (22) Filed: **Oct. 9, 2017**
- (51) **LOC (12) Cl.** ..... **12-07**
- (52) **U.S. Cl.**  
USPC ..... **D12/328**; D12/16.1
- (58) **Field of Classification Search**  
USPC ..... D12/319–345, 1–4, 16.1, 214;  
D21/436–454; D30/160  
CPC ..... B64C 29/0025; B64C 2201/108; B64C  
2201/048; B64C 2201/088; B64C 29/00;  
B64C 29/0058; B64C 39/001; B64C  
39/024; B64C 39/062; B64C 2201/141;  
B64C 27/12  
See application file for complete search history.

D710,453	S	*	8/2014	Barajas	.....	D12/16.1
D710,454	S	*	8/2014	Barajas	.....	D12/16.1
8,983,682	B1	*	3/2015	Peeters	.....	B64C 39/024 244/190
9,051,043	B1	*	6/2015	Peeters	.....	B64C 19/00
9,199,733	B2	*	12/2015	Keennon	.....	B64C 27/12
D756,842	S	*	5/2016	Ashjaee	.....	D12/16.1
D759,764	S	*	6/2016	Lai	.....	D12/16.1
9,359,070	B2	*	6/2016	Caubel	.....	B64C 27/08
D760,848	S	*	7/2016	McKenna	.....	D12/16.1
D761,690	S	*	7/2016	Friesmuth	.....	D12/16.1
9,387,927	B2	*	7/2016	Rischmuller	.....	B64C 39/024
D763,134	S	*	8/2016	Wang	.....	D12/16.1
D767,043	S	*	9/2016	Morrison	.....	D12/16.1
D768,539	S	*	10/2016	Lee	.....	D12/16.1
D768,540	S	*	10/2016	Ji	.....	D12/16.1
D768,789	S	*	10/2016	Fargeau	.....	D12/16.1
D770,572	S	*	11/2016	Caubel	.....	D21/441
D772,756	S	*	11/2016	Gambus	.....	D12/16.1
D772,991	S	*	11/2016	Caubel	.....	D12/16.1
D777,263	S	*	1/2017	Lavagen	.....	D12/16.1
9,540,121	B2	*	1/2017	Byers	.....	B64C 39/024
9,550,400	B2	*	1/2017	Hutson	.....	B60F 5/02
D779,595	S	*	2/2017	Xiao	.....	D12/16.1
9,567,076	B2	*	2/2017	Zhang	.....	B64C 1/00
D782,366	S	*	3/2017	Xiao	.....	D12/16.1

(Continued)

*Primary Examiner* — Marissa J Cash

(57) **CLAIM**

The ornamental design for a quadcopter, as shown and described.

**DESCRIPTION**

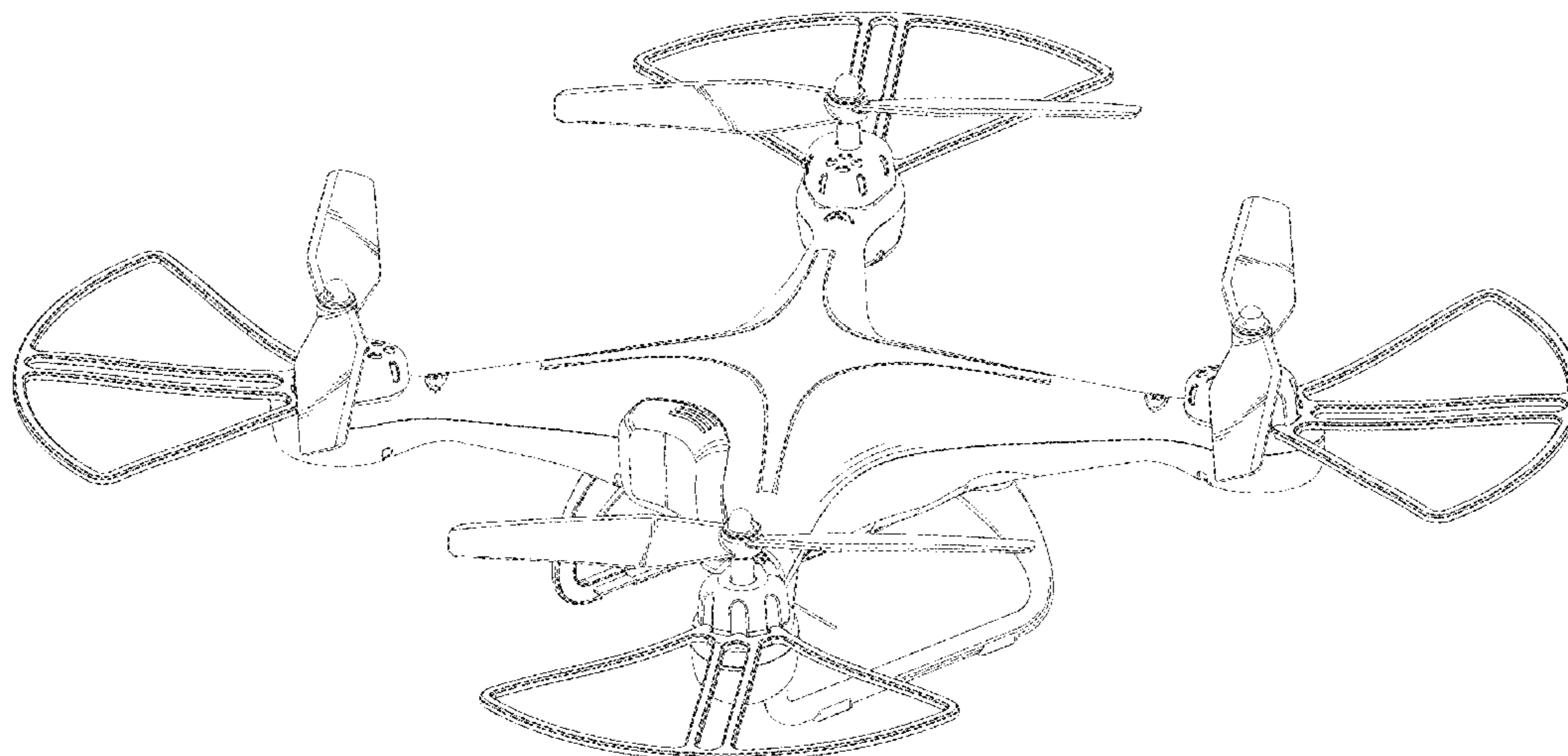
FIG. 1 is a front elevational view of a quadcopter showing my new design;  
FIG. 2 is a left side elevational view thereof;  
FIG. 3 is a right side elevational view thereof;  
FIG. 4 is a top plan view thereof;  
FIG. 5 is a bottom plan view thereof; and,  
FIG. 6 is a perspective view thereof.

**1 Claim, 6 Drawing Sheets**

(56) **References Cited**

**U.S. PATENT DOCUMENTS**

D189,462	S	*	12/1960	Vogt	.....	D12/329
D197,038	S	*	12/1963	Howard	.....	D12/329
D465,196	S	*	11/2002	Dammar	.....	D12/328
D628,658	S	*	12/2010	Wurm	.....	D21/442
8,016,226	B1	*	9/2011	Wood	.....	B64C 29/0033 244/12.4
D648,809	S	*	11/2011	Seydoux	.....	D21/441
D659,771	S	*	5/2012	Seydoux	.....	D21/441
D691,514	S	*	10/2013	Wang	.....	D12/16.1
D710,452	S	*	8/2014	Barajas	.....	D12/16.1



(56)

References Cited

U.S. PATENT DOCUMENTS

9,592,910 B1 \* 3/2017 Beckman ..... B64C 27/463  
 9,594,381 B1 \* 3/2017 Clark ..... G05D 1/101  
 9,599,992 B2 \* 3/2017 Kohstall ..... G05D 1/101  
 D783,727 S \* 4/2017 Xiao ..... D21/441  
 D784,201 S \* 4/2017 Goldy ..... D12/16.1  
 D784,202 S \* 4/2017 Park ..... D12/16.1  
 D784,854 S \* 4/2017 Huang ..... D12/16.1  
 D785,541 S \* 5/2017 Du ..... D12/328  
 D785,717 S \* 5/2017 Xiao ..... D21/441  
 9,682,772 B2 \* 6/2017 Yoon ..... B60F 5/02  
 D793,482 S \* 8/2017 Wang ..... D12/16.1  
 D793,486 S \* 8/2017 Lee ..... D21/453  
 D795,967 S \* 8/2017 Haley ..... D12/16.1  
 D796,586 S \* 9/2017 Chen ..... D12/16.1  
 D797,859 S \* 9/2017 Caubel ..... D21/441  
 D798,961 S \* 10/2017 Li ..... D21/441  
 D798,962 S \* 10/2017 Xiao ..... D21/441  
 D798,963 S \* 10/2017 Xiao ..... D21/441  
 D800,016 S \* 10/2017 Huang ..... D12/16.1  
 D801,224 S \* 10/2017 Li ..... D12/16.1  
 D803,098 S \* 11/2017 Lee ..... D12/16.1  
 D803,328 S \* 11/2017 Lee ..... D21/441  
 D805,425 S \* 12/2017 Hanscom ..... D11/202  
 D806,606 S \* 1/2018 Morrison ..... D12/16.1  
 D808,301 S \* 1/2018 Goldy ..... D12/16.1  
 9,868,524 B2 \* 1/2018 Welsh ..... B64C 39/024  
 D809,970 S \* 2/2018 Zhou ..... D12/16.1  
 D813,723 S \* 3/2018 Ahn ..... D12/16.1  
 D813,724 S \* 3/2018 Hu ..... D12/16.1  
 9,927,682 B2 \* 3/2018 Fisher ..... G03B 15/006  
 D814,385 S \* 4/2018 Zhao ..... D12/328  
 D814,970 S \* 4/2018 Chen ..... D12/16.1

D814,971 S \* 4/2018 Huang ..... D12/16.1  
 D814,972 S \* 4/2018 Ahn ..... D12/16.1  
 D816,546 S \* 5/2018 Wang ..... D12/16.1  
 D818,872 S \* 5/2018 Ho ..... D12/16.1  
 D818,874 S \* 5/2018 Tian ..... D12/16.1  
 9,979,000 B2 \* 5/2018 Qiu ..... B64C 39/024  
 9,986,233 B1 \* 5/2018 Curlander ..... H04N 17/002  
 10,011,346 B2 \* 7/2018 Beckman ..... B64C 11/18  
 D825,379 S \* 8/2018 Gury ..... D12/16.1  
 D825,380 S \* 8/2018 Tompkin ..... D12/16.1  
 D825,669 S \* 8/2018 Tompkin ..... D21/441  
 10,053,213 B1 \* 8/2018 Tu ..... B64C 29/0025  
 D827,723 S \* 9/2018 Barajas ..... D21/442  
 D829,283 S \* 9/2018 Cai ..... D21/441  
 D830,229 S \* 10/2018 Lutterodt ..... D12/16.1  
 D830,896 S \* 10/2018 Lutterodt ..... D12/16.1  
 10,086,309 B2 \* 10/2018 Yamada ..... A63H 27/12  
 10,095,087 B2 \* 10/2018 Kim ..... B64C 25/10  
 10,131,426 B2 \* 11/2018 Judas ..... B64C 29/0025  
 10,131,428 B1 \* 11/2018 Sopper ..... B64C 27/08  
 10,150,563 B2 \* 12/2018 Harada ..... G05B 19/048  
 10,155,585 B2 \* 12/2018 Johannesson ..... B64C 27/50  
 10,185,318 B2 \* 1/2019 Enke ..... G05D 1/0088  
 10,192,538 B2 \* 1/2019 Yamagishi ..... B64C 39/024  
 10,203,692 B2 \* 2/2019 Smith ..... G05D 1/0094  
 10,217,367 B2 \* 2/2019 Chun ..... B64C 39/024  
 D843,266 S \* 3/2019 Chen ..... D12/16.1  
 10,222,808 B2 \* 3/2019 Bardinet ..... B64C 39/024  
 10,224,526 B2 \* 3/2019 Qiu ..... B64C 39/024  
 2017/0043869 A1 \* 2/2017 Howard ..... B64C 39/024  
 2017/0144753 A1 \* 5/2017 Yu ..... B64C 39/024  
 2017/0259914 A1 \* 9/2017 Bevirt ..... B64C 27/52  
 2017/0291697 A1 \* 10/2017 Kornatowski ..... B64C 27/20  
 2018/0002023 A1 \* 1/2018 Tian ..... B64D 33/08

\* cited by examiner

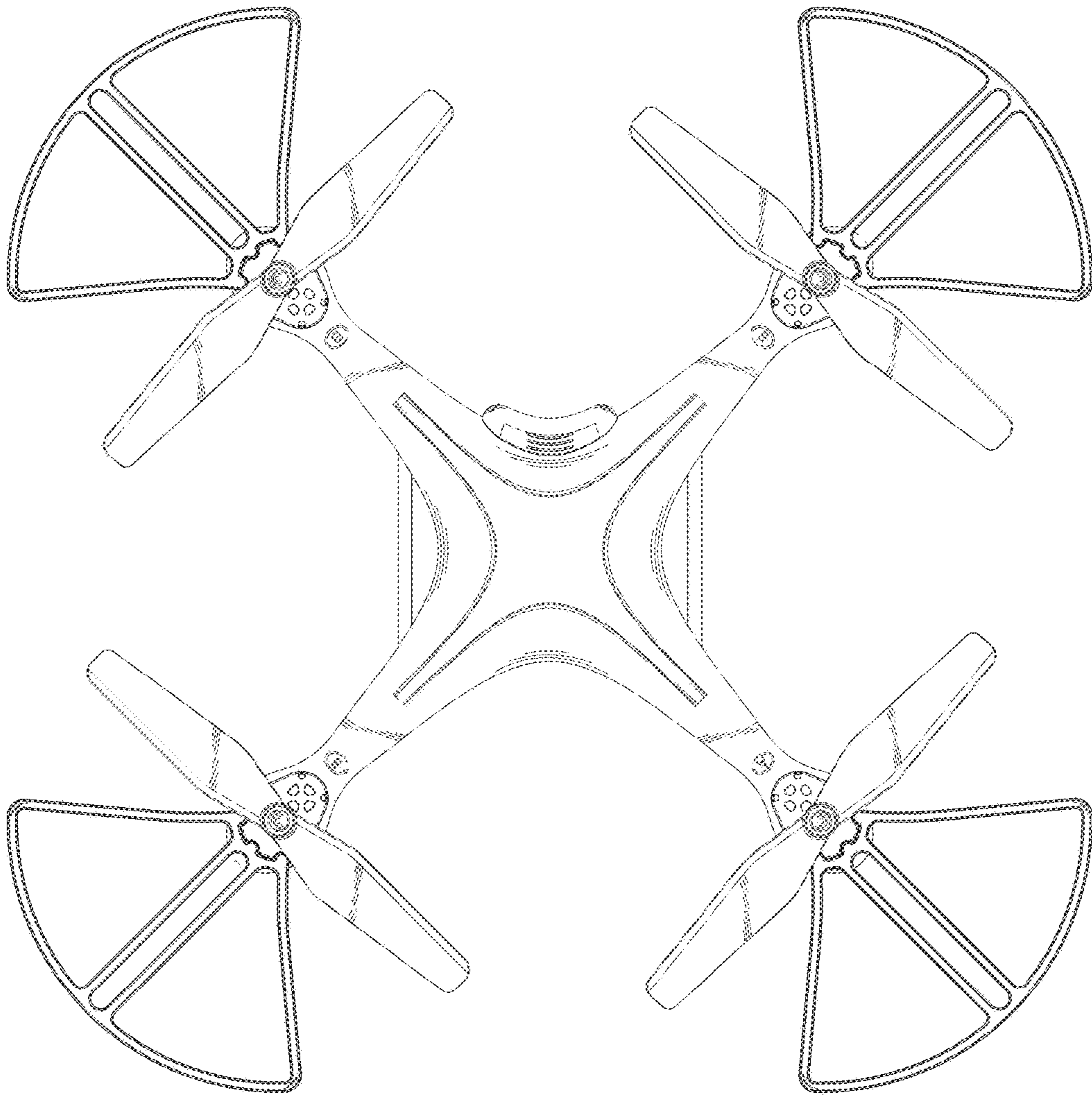


FIG.1

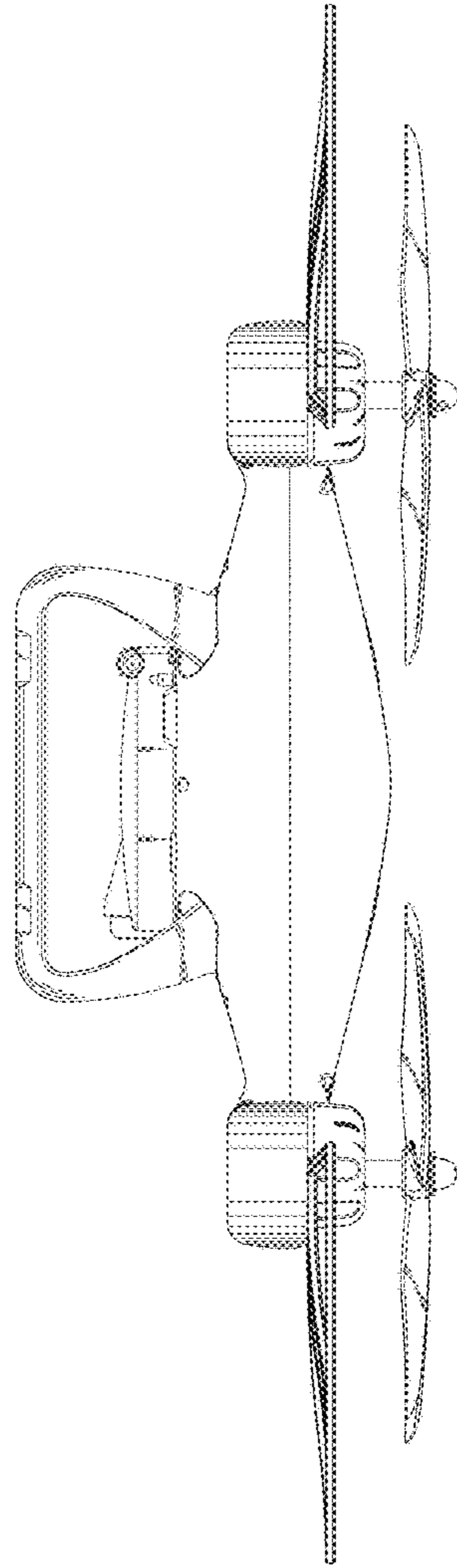


FIG.2

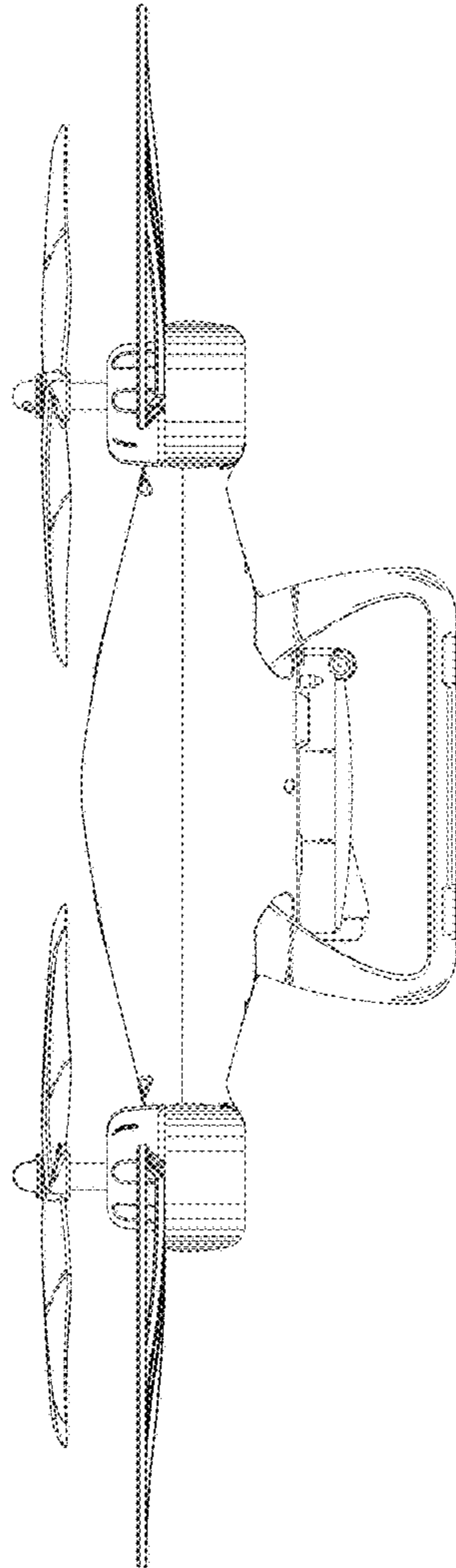


FIG.3

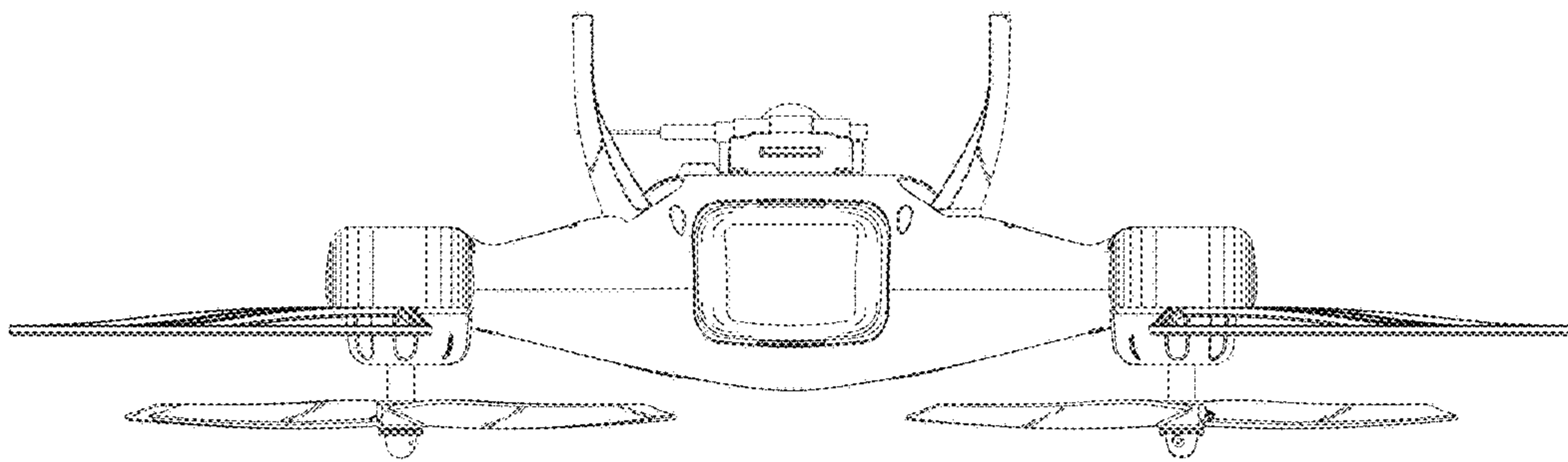


FIG.4

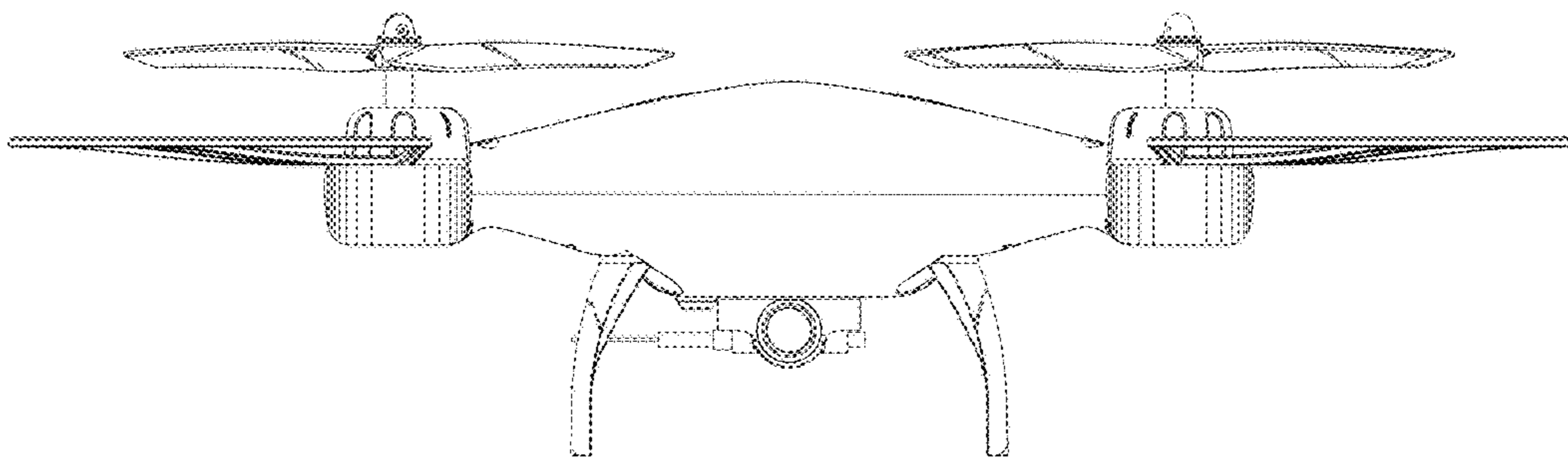


FIG.5

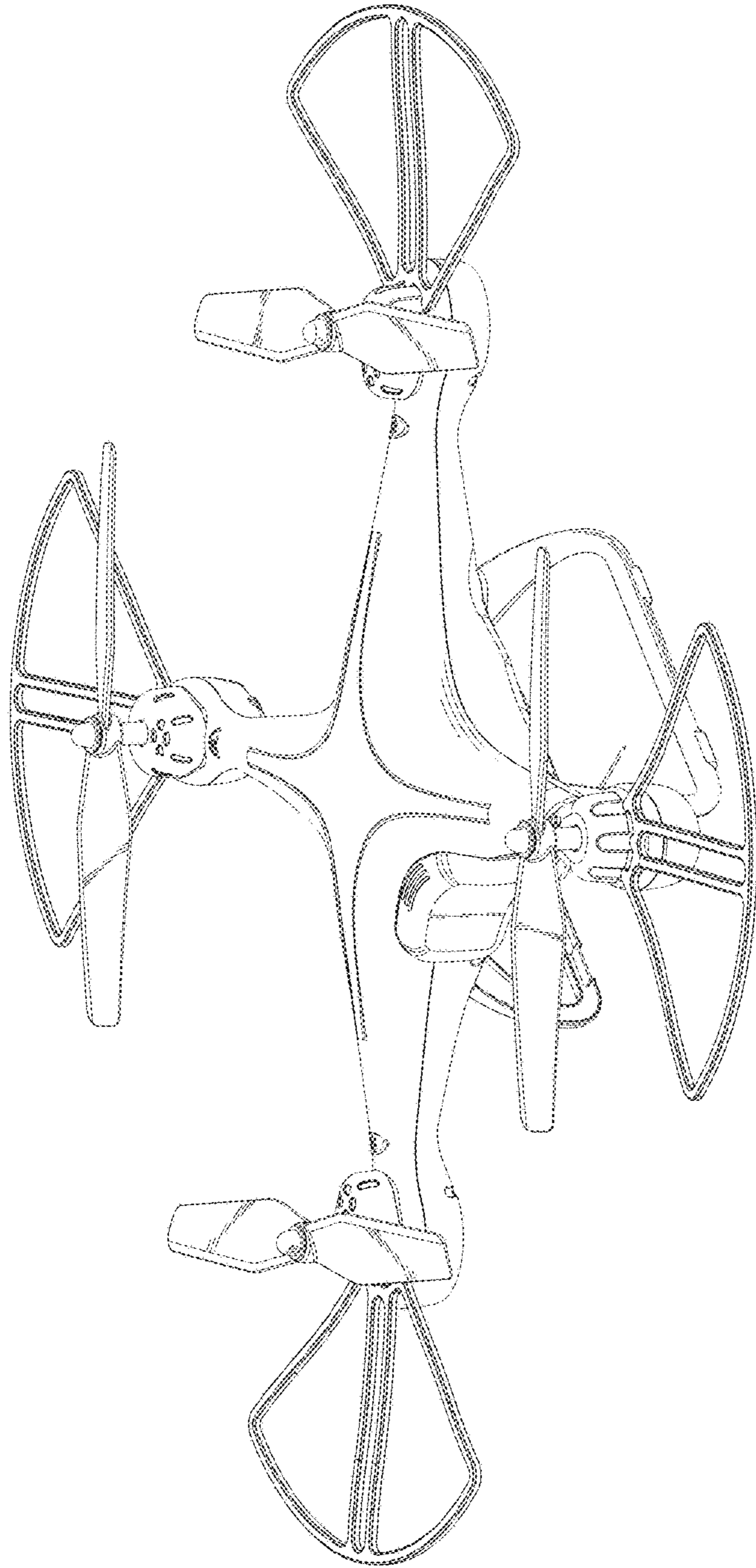


FIG.6