



US00D864081S

(12) **United States Design Patent** (10) **Patent No.:** **US D864,081 S**  
**Barbier et al.** (45) **Date of Patent:** **\*\* Oct. 22, 2019**

- (54) **CONVERTIBLE SEATING FOR A MARINE VESSEL** 3,877,747 A 4/1975 Brennan  
4,536,027 A 8/1985 Brennan  
4,854,261 A \* 8/1989 Goldsmith ..... B63B 29/04  
114/363
- (71) Applicant: **Brunswick Corporation**, Lake Forest, IL (US) 5,052,748 A 10/1991 Fourrey  
5,374,108 A 12/1994 Saul  
5,799,605 A \* 9/1998 Huse ..... B63B 29/04  
114/363
- (72) Inventors: **John E. Barbier**, Port Orange, FL (US); **John O. Wizorek**, Port Orange, FL (US) D481,986 S \* 11/2003 Menne ..... D12/317  
7,000,557 B1 \* 2/2006 Forbes ..... B63B 19/12  
114/201 R
- (73) Assignee: **Brunswick Corporation**, Mettawa, IL (US) 7,255,058 B2 \* 8/2007 Forbes ..... B63B 25/002  
114/363  
7,341,306 B1 \* 3/2008 Neese ..... A47C 7/405  
297/105
- (\*\*) Term: **15 Years** 7,647,880 B2 1/2010 Devine  
7,699,390 B2 4/2010 Baumann  
7,819,483 B2 10/2010 Kushner et al.  
8,002,350 B2 8/2011 Johnson
- (21) Appl. No.: **29/599,484**
- (22) Filed: **Apr. 4, 2017**

(Continued)

**Related U.S. Application Data**

- (63) Continuation-in-part of application No. 15/098,455, filed on Apr. 14, 2016, now Pat. No. 9,919,625.
- (51) **LOC (12) Cl.** ..... **21-01**
- (52) **U.S. Cl.**  
USPC ..... **D12/317**
- (58) **Field of Classification Search**  
USPC ..... D12/300-318  
CPC ..... B63B 29/02; B63B 29/04; B63B 2029/43  
See application file for complete search history.

**References Cited**

**U.S. PATENT DOCUMENTS**

427,413 A	5/1890	Fritz
1,271,830 A	7/1918	Austin
1,792,737 A	2/1931	Greenstreet
2,113,346 A	4/1938	Heath
2,486,468 A	11/1949	Freedman
2,900,009 A	8/1959	Haynes
3,482,870 A	12/1969	Janssen
3,506,303 A	4/1970	Smittle

*Primary Examiner* — Cynthia M. Chin  
(74) *Attorney, Agent, or Firm* — Andrus Intellectual Property Law, LLP

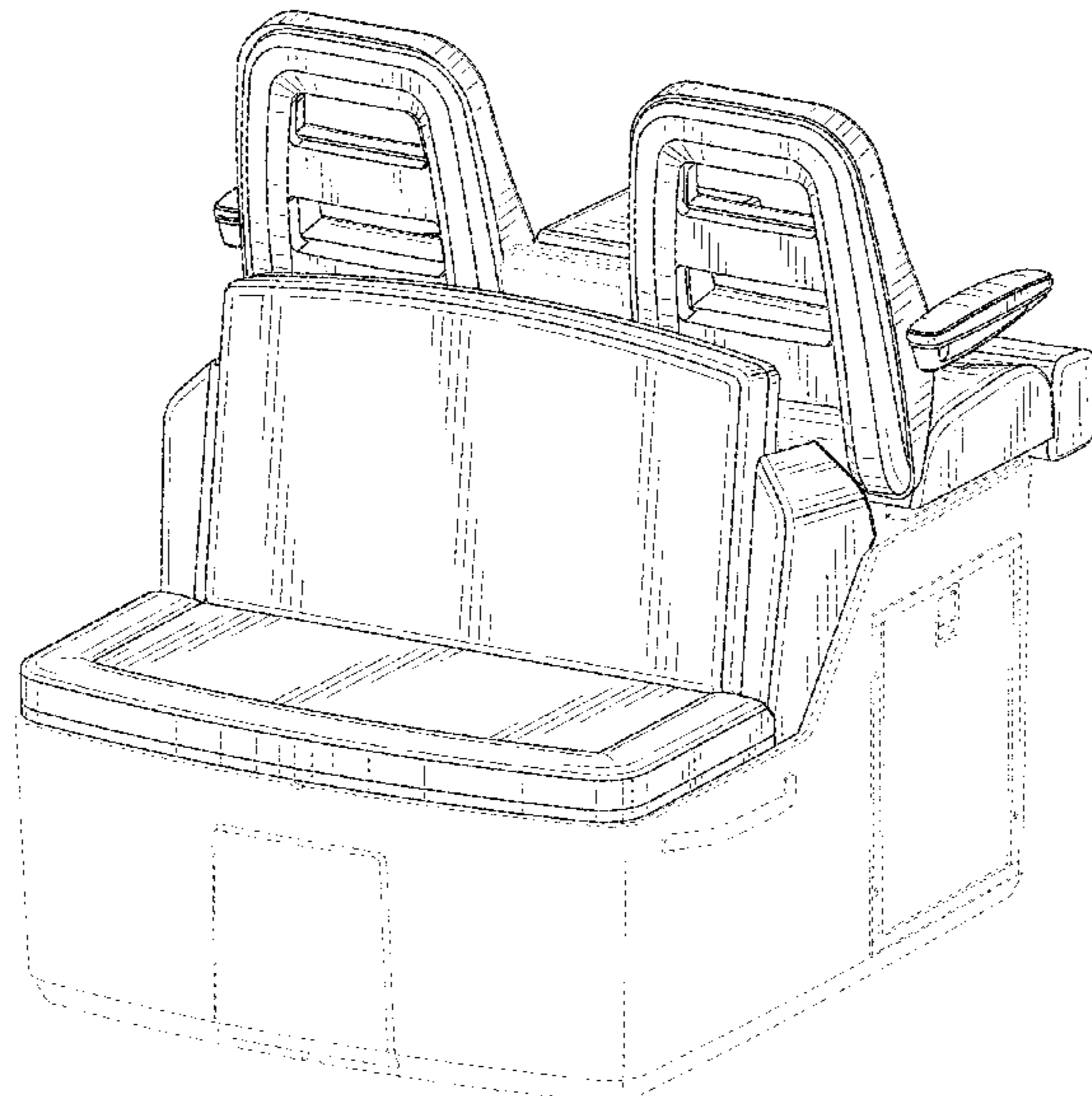
(57) **CLAIM**

The ornamental design for a convertible seating for a marine vessel, as shown and described.

**DESCRIPTION**

FIG. 1 is a rear perspective view of a convertible seating for a marine vessel.  
FIG. 2 is a side view thereof.  
FIG. 3 is an opposite side view thereof.  
FIG. 4 is a front view thereof.  
FIG. 5 is a rear view thereof.  
FIG. 6 is a top view thereof; and,  
FIG. 7 is a bottom view thereof.  
The broken lines illustrate environment and form no part of the claimed design.

**1 Claim, 7 Drawing Sheets**



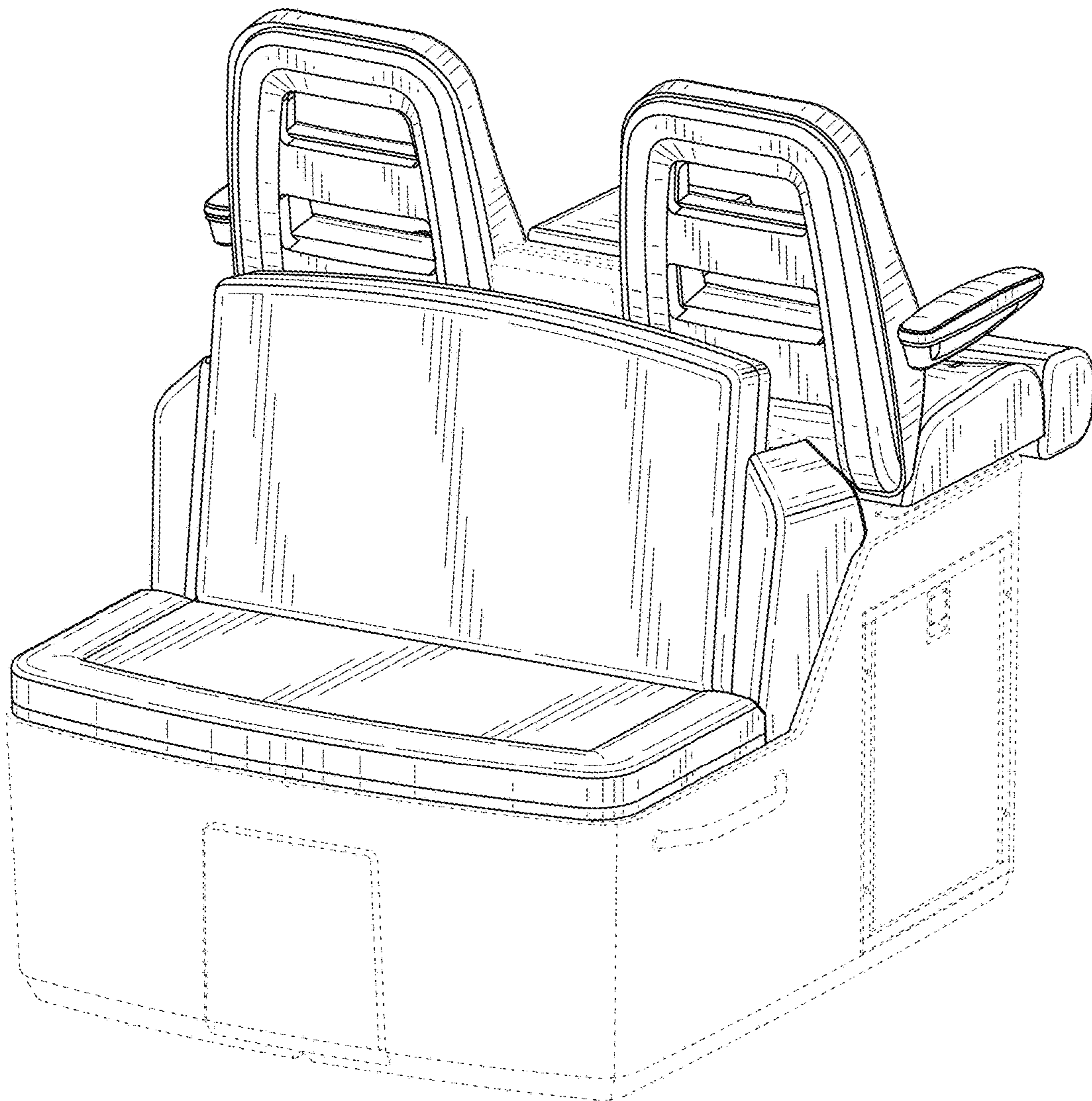
(56)

**References Cited**

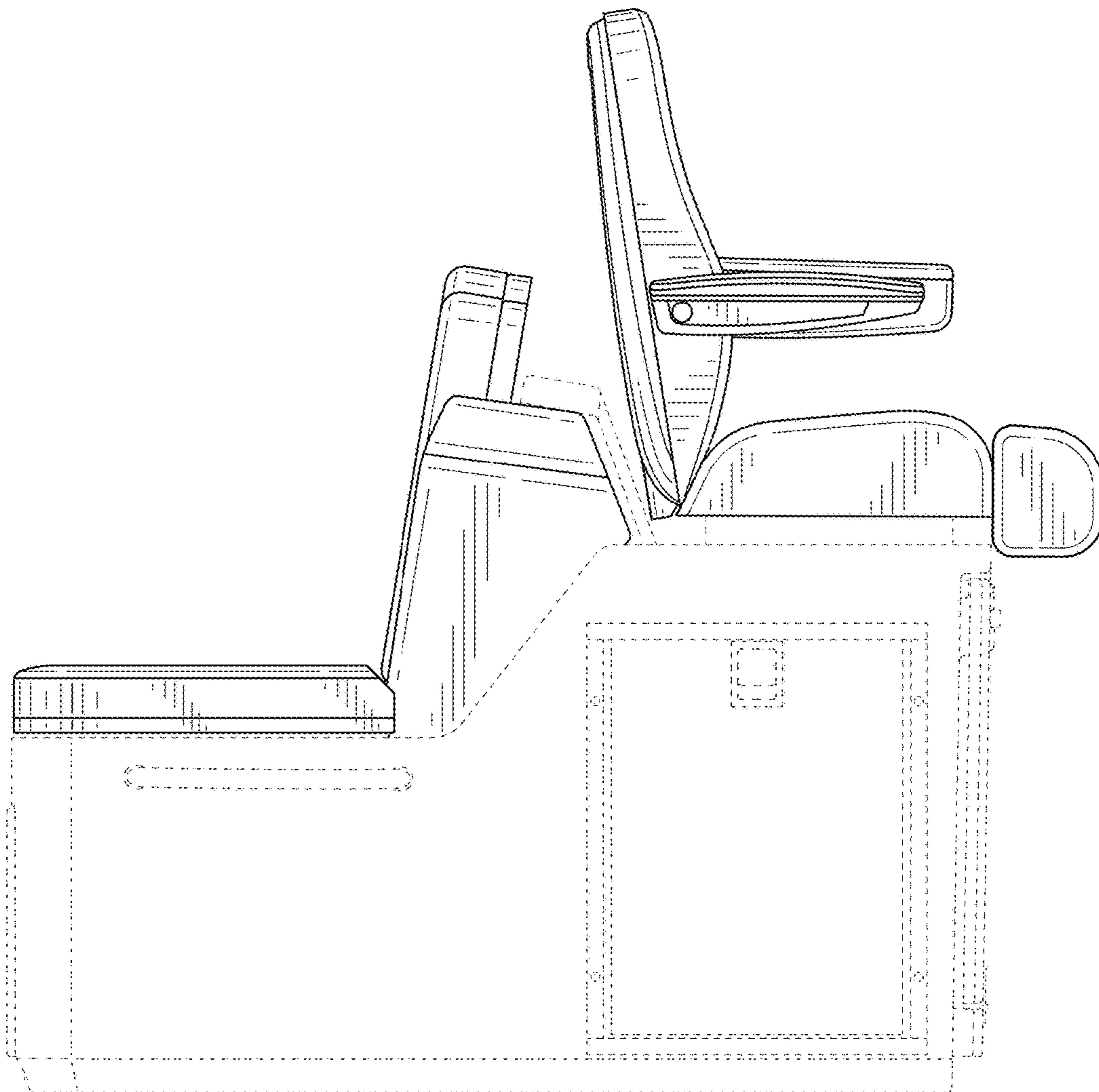
U.S. PATENT DOCUMENTS

8,028,641	B1 *	10/2011	Sly .....	B63B 27/146
				114/362
8,113,589	B2	2/2012	Mildt	
8,517,466	B1 *	8/2013	Wizorek .....	B63B 29/04
				297/115
8,840,175	B2	9/2014	Short	
9,021,975	B1	5/2015	Fodor et al.	
9,073,608	B1	7/2015	Foss et al.	
D794,537	S *	8/2017	Wagnon .....	D12/317
9,783,271	B2 *	10/2017	Foss .....	B63B 29/04
9,821,887	B1 *	11/2017	Wilson .....	B63B 29/04
D819,540	S *	6/2018	Wilson .....	D12/317
D824,836	S *	8/2018	Deurr .....	D12/317
D830,944	S *	10/2018	Deurr .....	D12/317
2006/0103174	A1	5/2006	Queveau	
2008/0196649	A1 *	8/2008	Kalil .....	B63B 19/14
				114/201 R
2011/0057483	A1	3/2011	Dickey	
2014/0216327	A1 *	8/2014	Chen .....	B63B 17/00
				114/363

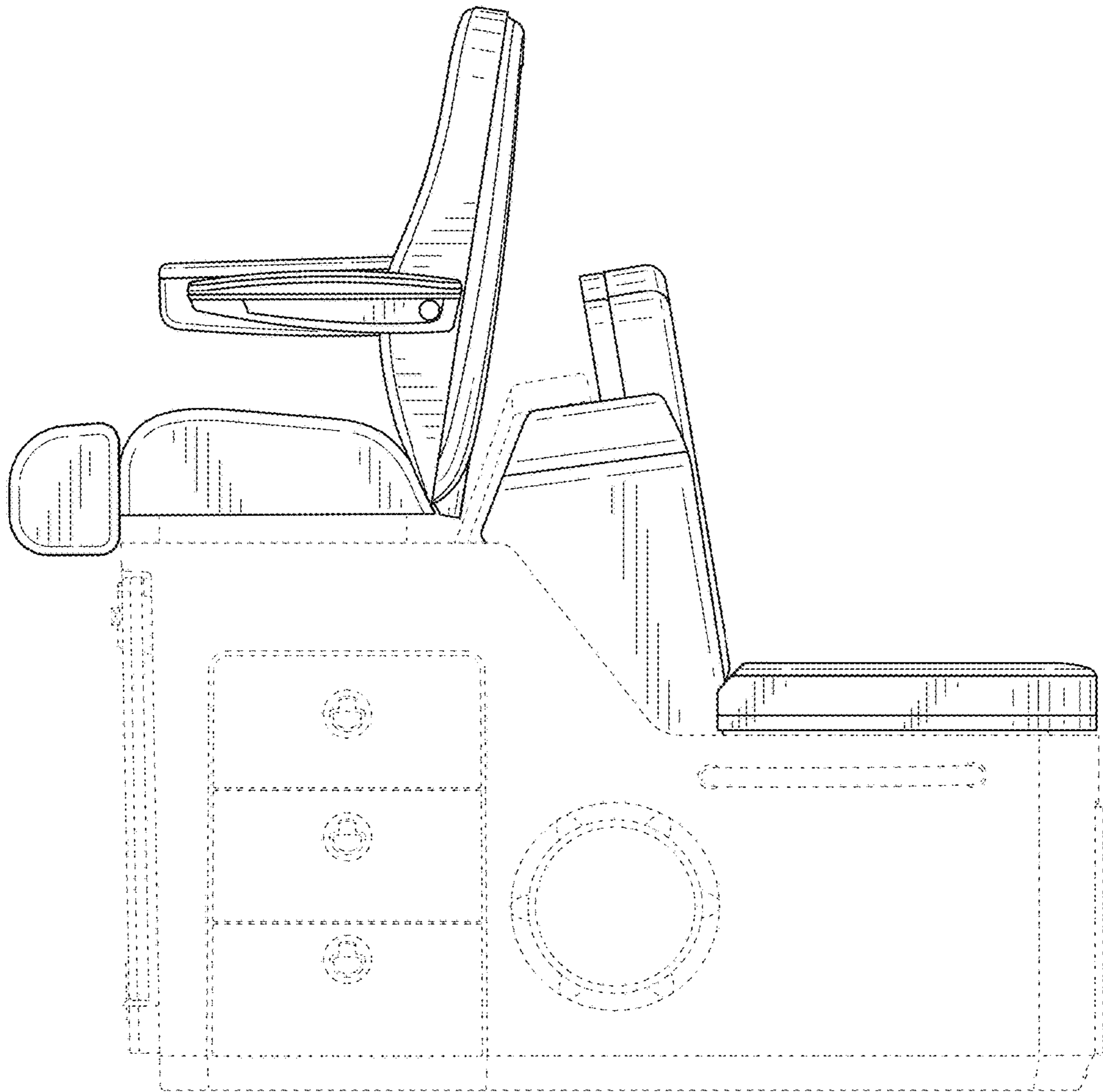
\* cited by examiner



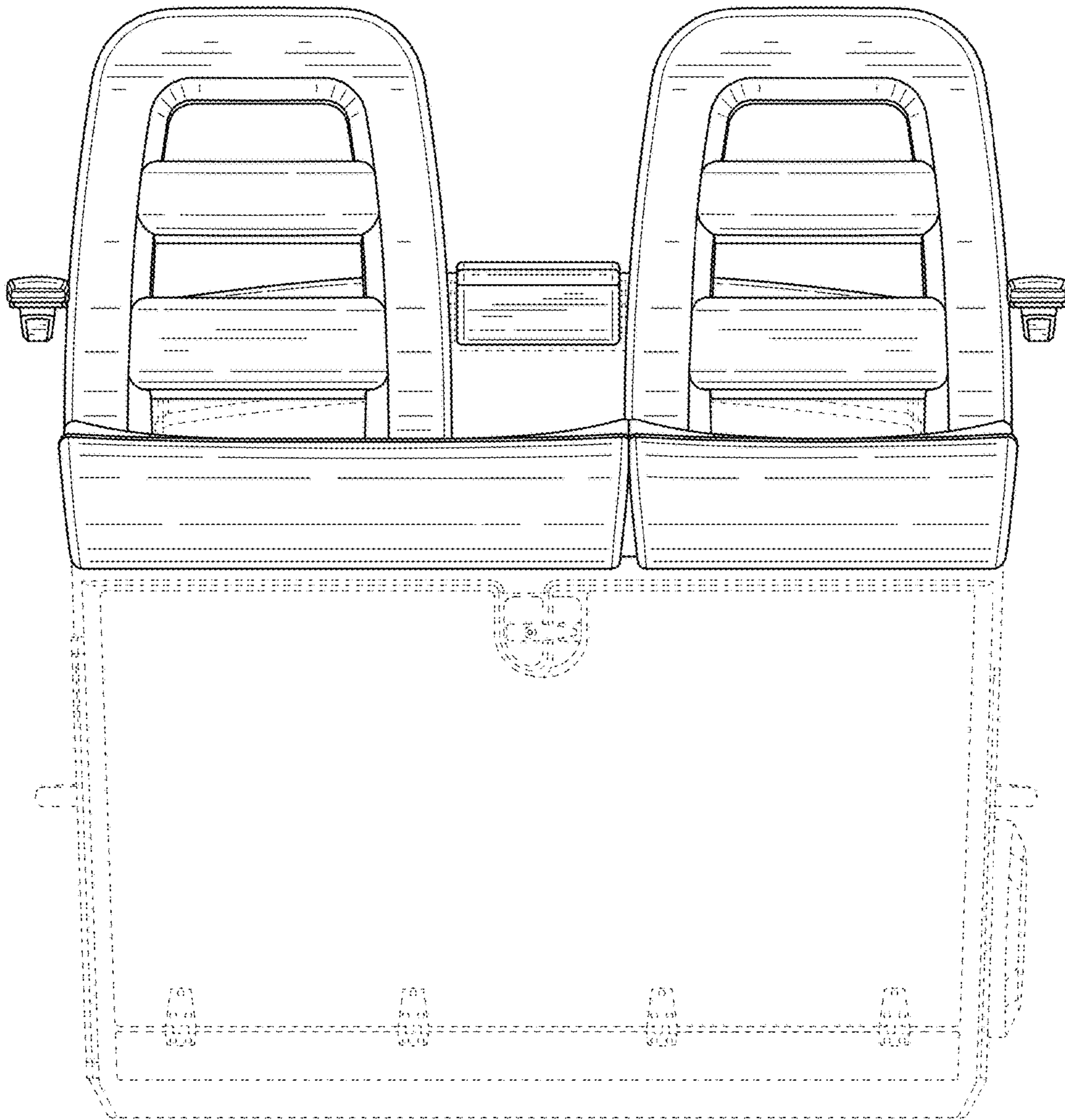
**FIG. 1**



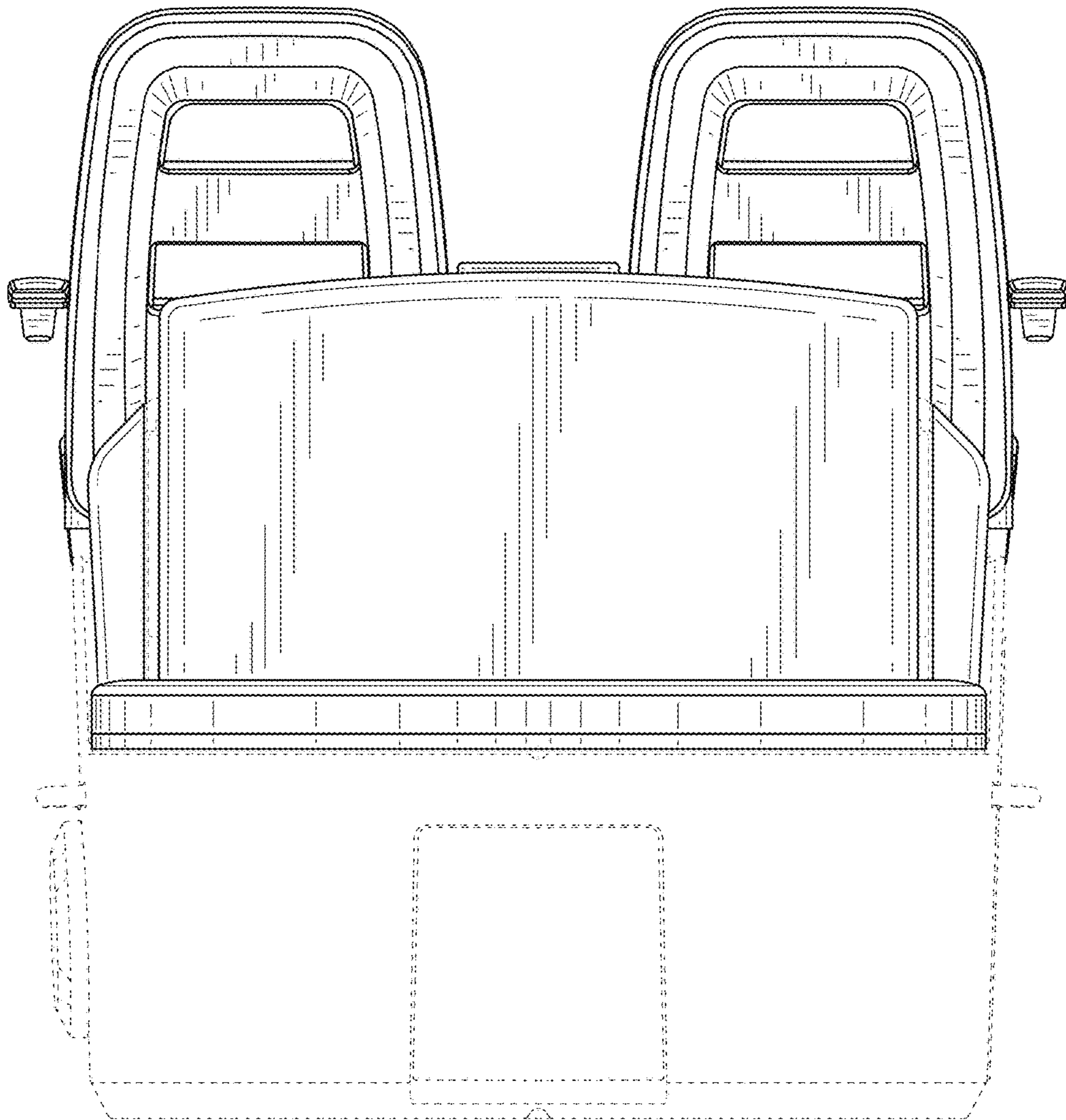
**FIG. 2**



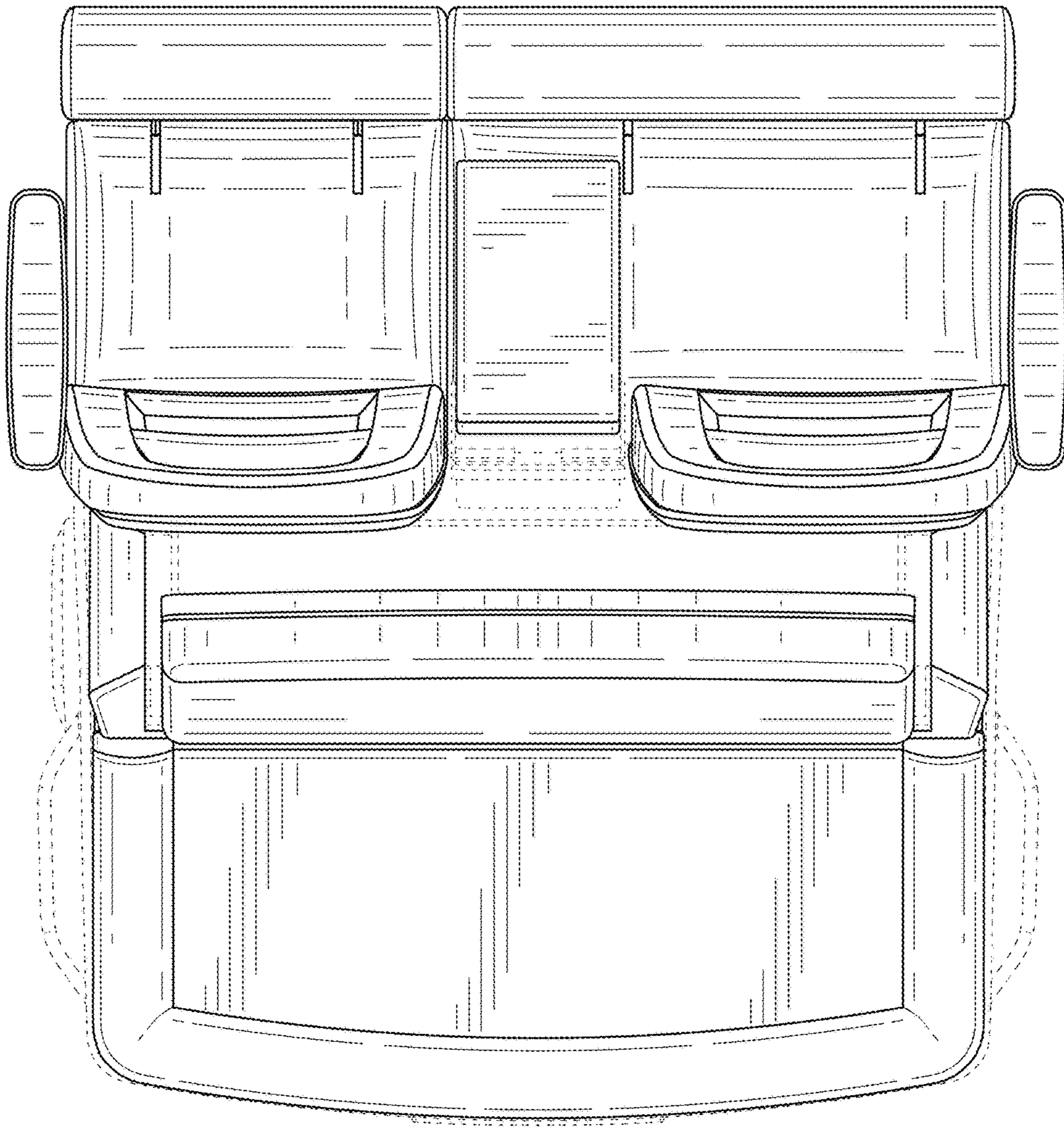
**FIG. 3**



**FIG. 4**

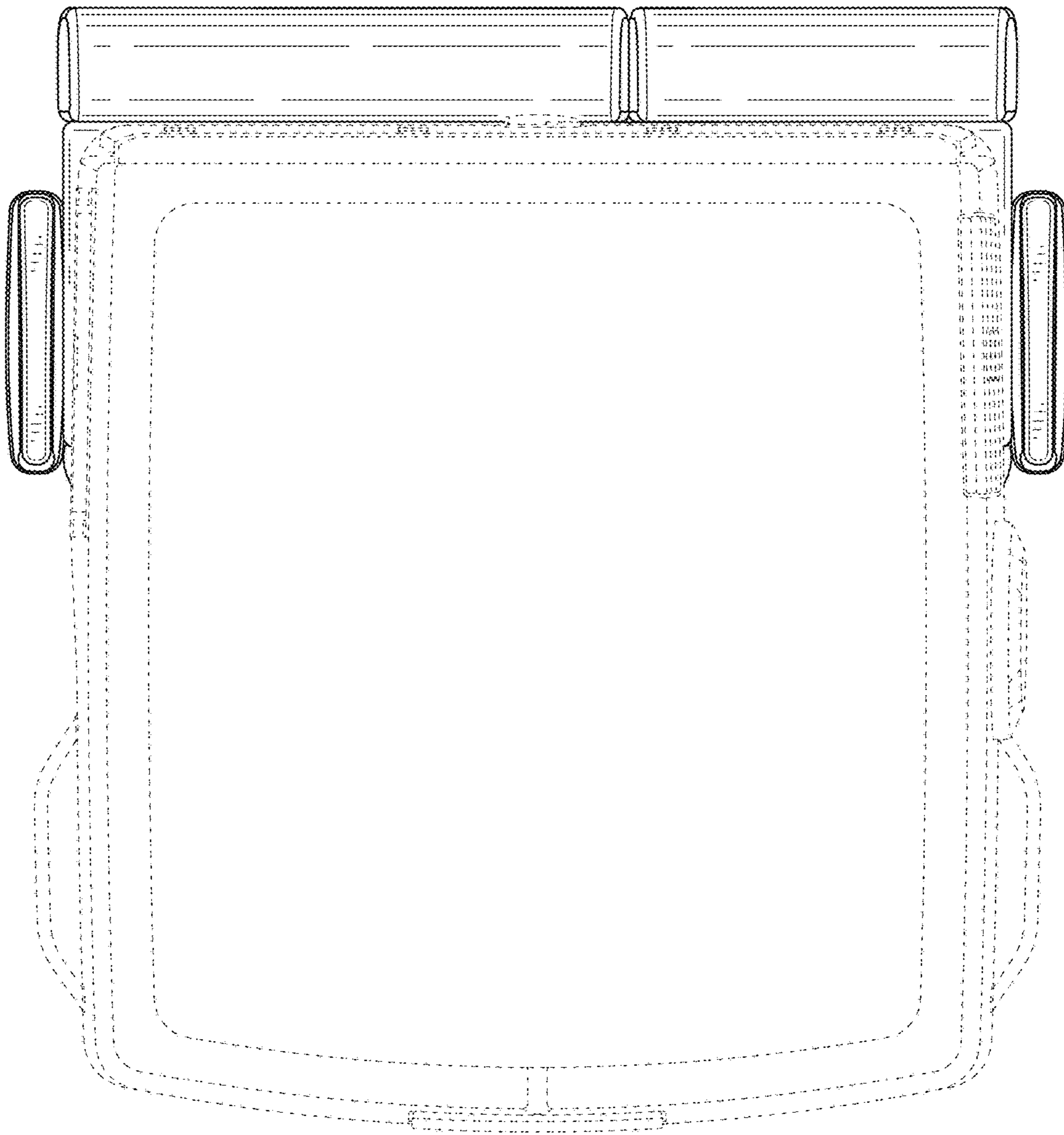


**FIG. 5**



**FIG. 6**





**FIG. 7**