



US00D864077S

(12) **United States Design Patent**
Han

(10) **Patent No.:** **US D864,077 S**

(45) **Date of Patent:** **** Oct. 22, 2019**

(54) **AUTOMOTIVE WHEEL**

(71) Applicant: **Donnie Han**, Corona, CA (US)

(72) Inventor: **Donnie Han**, Corona, CA (US)

(**) Term: **15 Years**

(21) Appl. No.: **29/666,701**

(22) Filed: **Oct. 15, 2018**

(51) **LOC (12) Cl.** **12-16**

(52) **U.S. Cl.**

USPC **D12/209**

(58) **Field of Classification Search**

USPC D12/204–213

CPC B60B 7/00; B60B 7/02; B60B 7/04; B60B 7/01; B60B 7/06; B60B 3/02; B60B 3/04; B60B 3/06; B60B 3/10; B60B 1/00; B60B 1/08; B60B 1/10; B60B 1/12

See application file for complete search history.

(56) **References Cited**

U.S. PATENT DOCUMENTS

D714,706 S * 10/2014 Chung D12/211
D726,620 S * 4/2015 Licklitter D12/209

D738,279 S * 9/2015 Dionisopoulos D12/209
D760,140 S * 6/2016 Chung D12/209
D763,768 S * 8/2016 Henderson D12/211
D765,002 S * 8/2016 Hoste D12/209
D781,198 S * 3/2017 Owens D12/209
D801,903 S * 11/2017 Chung D12/211
D811,980 S * 3/2018 Chung D12/211
D812,541 S * 3/2018 Chung D12/211
D824,317 S * 7/2018 Harriton D12/211
D830,266 S * 10/2018 Licklitter D12/209
D841,553 S * 2/2019 Chung D12/209
D849,657 S * 5/2019 Kong D12/211

* cited by examiner

Primary Examiner — Stacia A Cadmus

(57) **CLAIM**

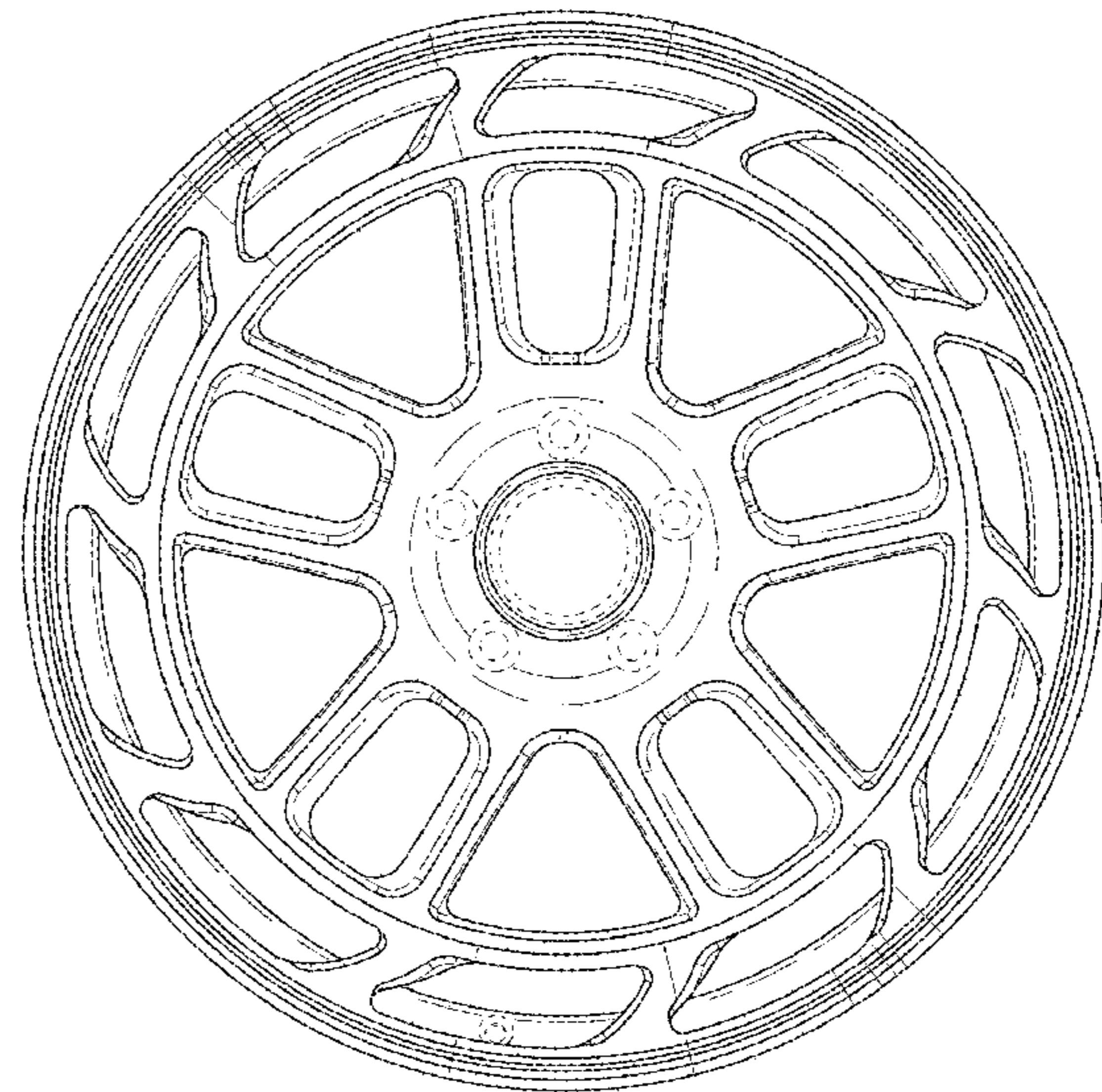
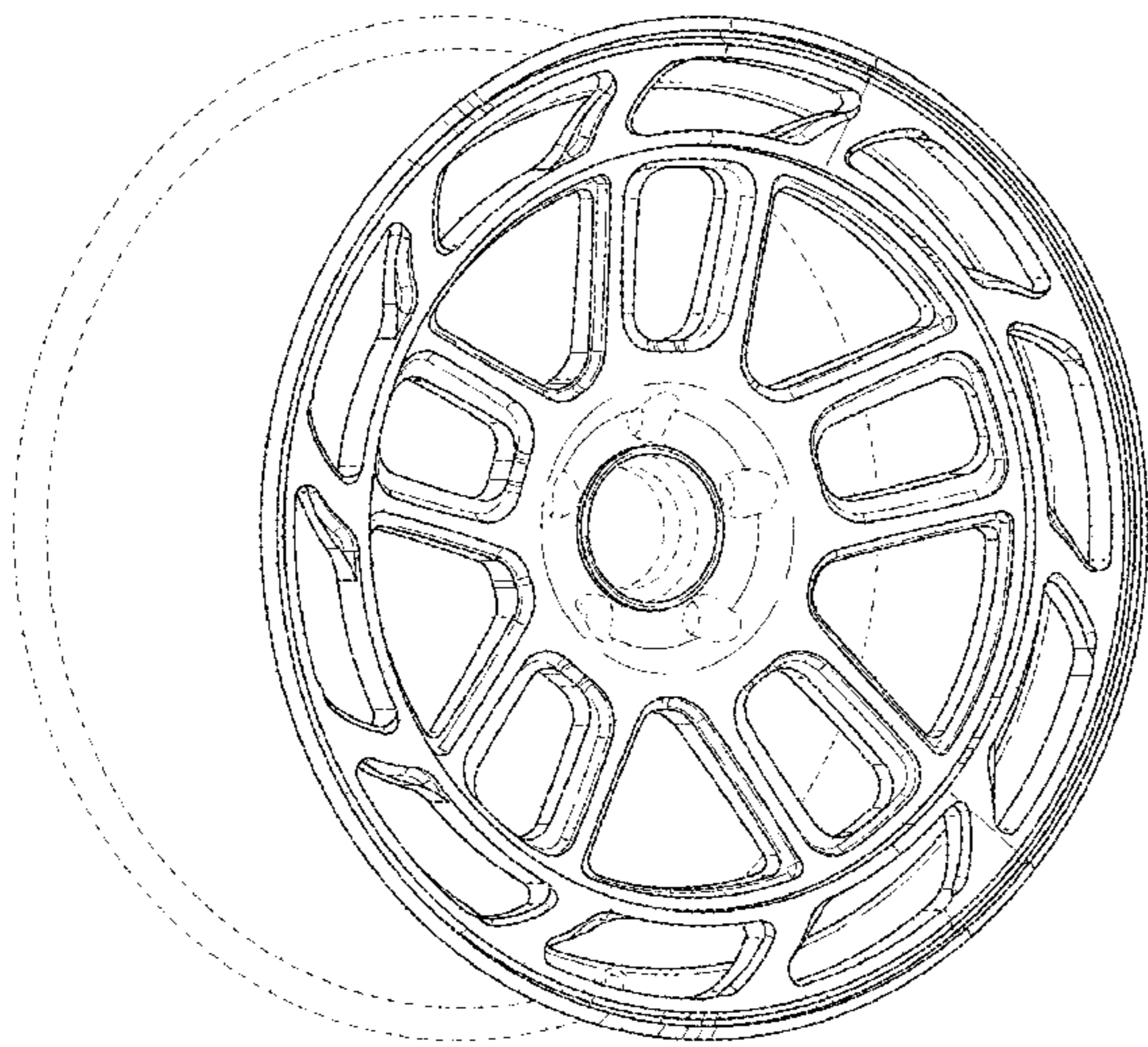
The ornamental design for an automotive wheel, as shown and described.

DESCRIPTION

FIG. 1 is a perspective view of an automobile wheel showing my new design; and, FIG. 2 is a front view thereof.

In the drawings, the broken lines depict environmental subject matter and form no part of the claimed design.

1 Claim, 2 Drawing Sheets



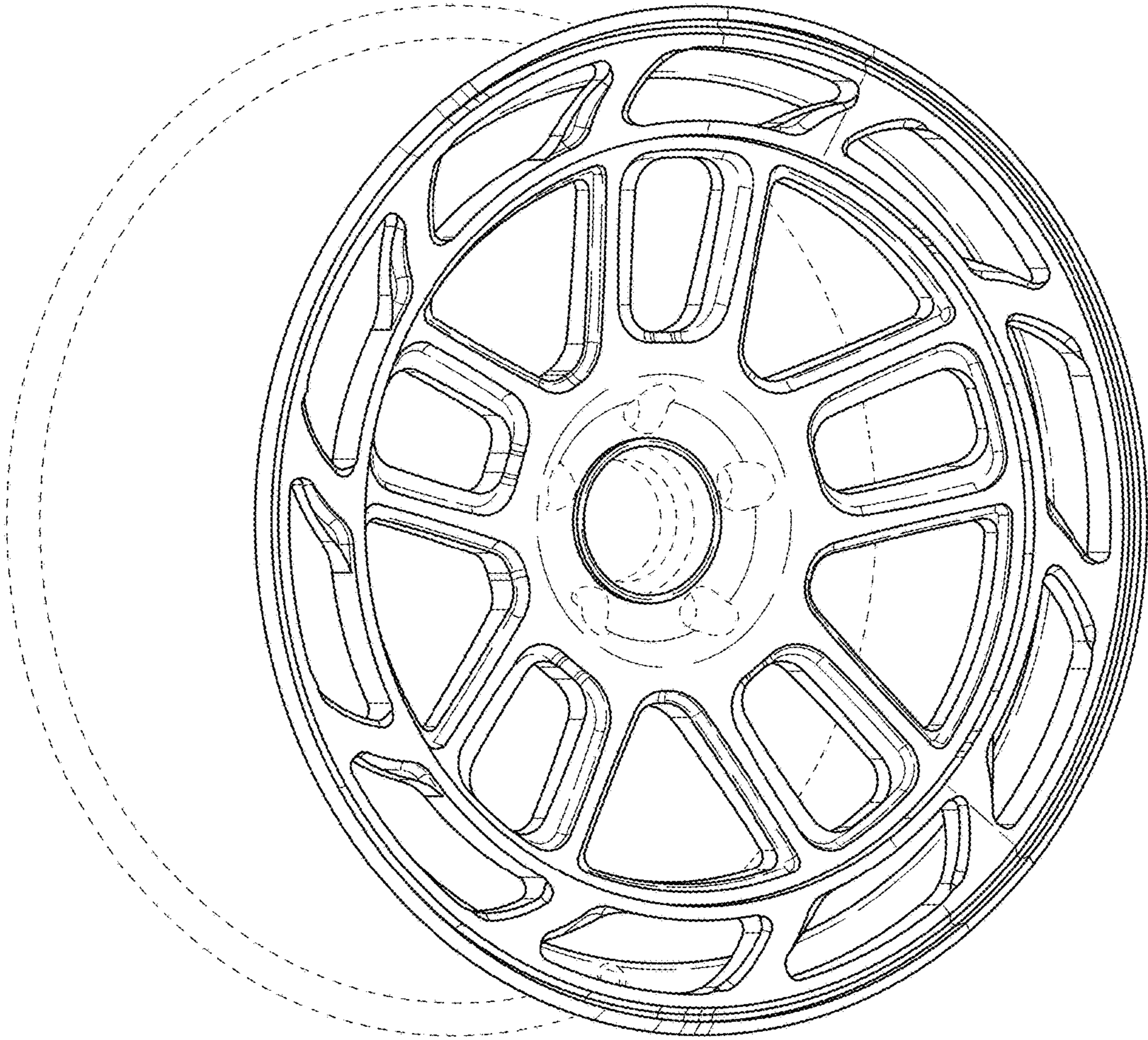


FIGURE 1

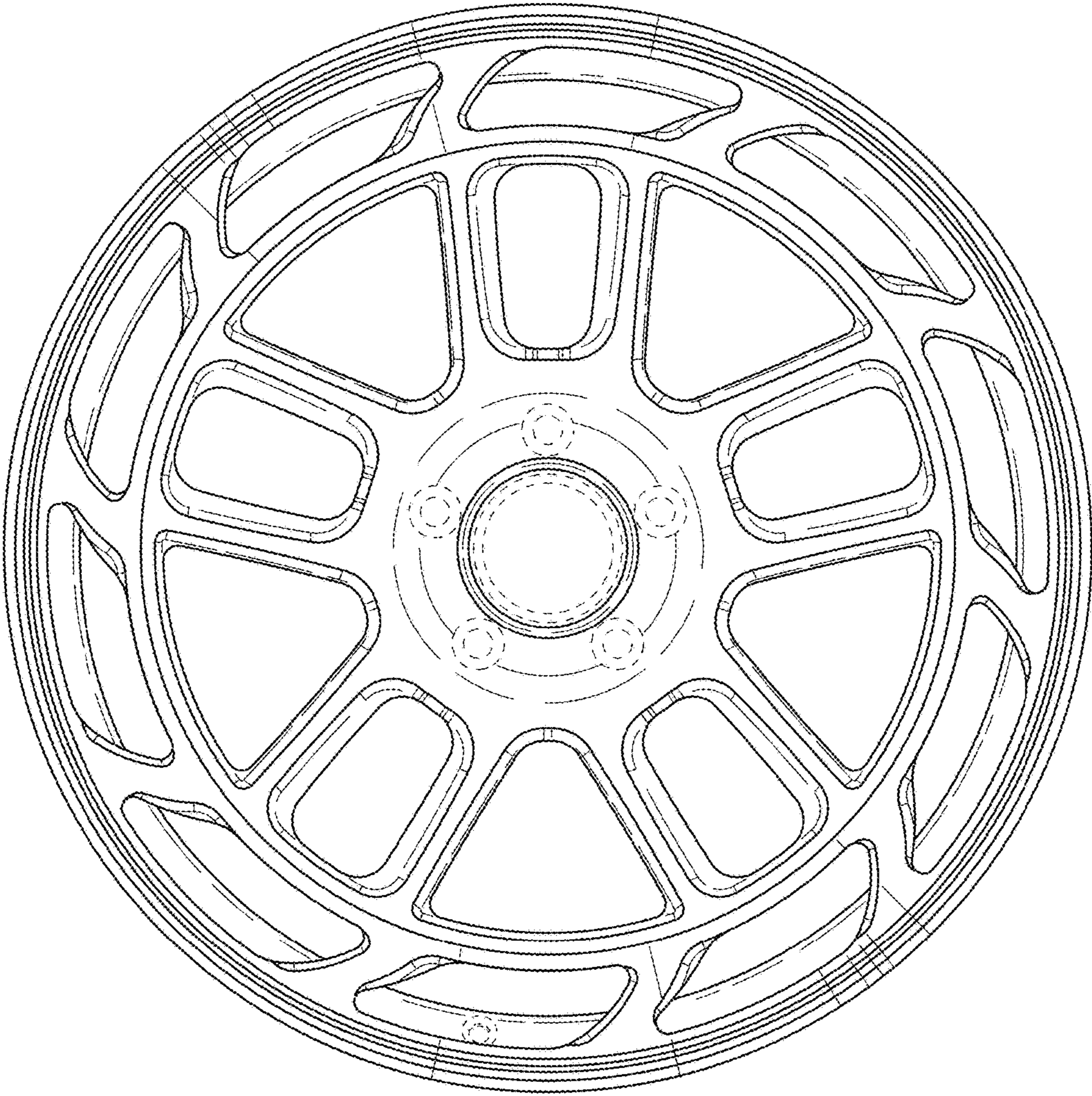


FIGURE 2