

US00D864070S

(12) **United States Design Patent** (10) **Patent No.:** **US D864,070 S**
Keith et al. (45) **Date of Patent:** **** Oct. 22, 2019**

(54) **AUTOMOTIVE RUNNING BOARD**
(71) Applicant: **MAXWAY INTERNATIONAL CO. LTD.**, Burlington (CA)
(72) Inventors: **William Nathaniel Keith**, Huntsville (CA); **Dongfeng Zheng**, Burlington (CA)
(73) Assignee: **MAXWAY INTERNATIONAL CO. LTD.**, Burlington (CA)
(**) Term: **15 Years**
(21) Appl. No.: **29/670,647**
(22) Filed: **Nov. 19, 2018**

D505,901 S * 6/2005 Wang D12/203
D535,928 S * 1/2007 Crandall D12/203
7,287,770 B2 * 10/2007 Drabant B60R 3/002
280/163
D568,221 S 5/2008 Cord et al.
D568,222 S * 5/2008 Storer D12/203
D588,514 S 3/2009 Kudelko et al.

(Continued)

Primary Examiner — Michelle E. Wilson
Assistant Examiner — Clese Moore, Jr.
(74) *Attorney, Agent, or Firm* — ABM Intellectual Property Inc.; Adrienne Bieber McNeil

(57) **CLAIM**

We claim the ornamental design for an automotive running board, as shown and described.

DESCRIPTION

FIG. 1 is a top perspective view of an automotive running board in accordance said design;
FIG. 2 is a bottom perspective view of the automotive running board of FIG. 1;
FIG. 3 is a left side view of the automotive running board of FIG. 1;
FIG. 4 is a front end view of the automotive running board of FIG. 1;
FIG. 5 is a right side view of the automotive running board of FIG. 1;
FIG. 6 is a rear end view of the automotive running board of FIG. 1;
FIG. 7 is a top plan view of the automotive running board of FIG. 1;
FIG. 8 is a bottom plan view of the automotive running board of FIG. 1; and,
FIG. 9 is a view of the automotive running board of FIG. 1 in its configuration of use.
The broken lines shown illustrate portions of the automotive running board that form no part of the claimed design.

Related U.S. Application Data

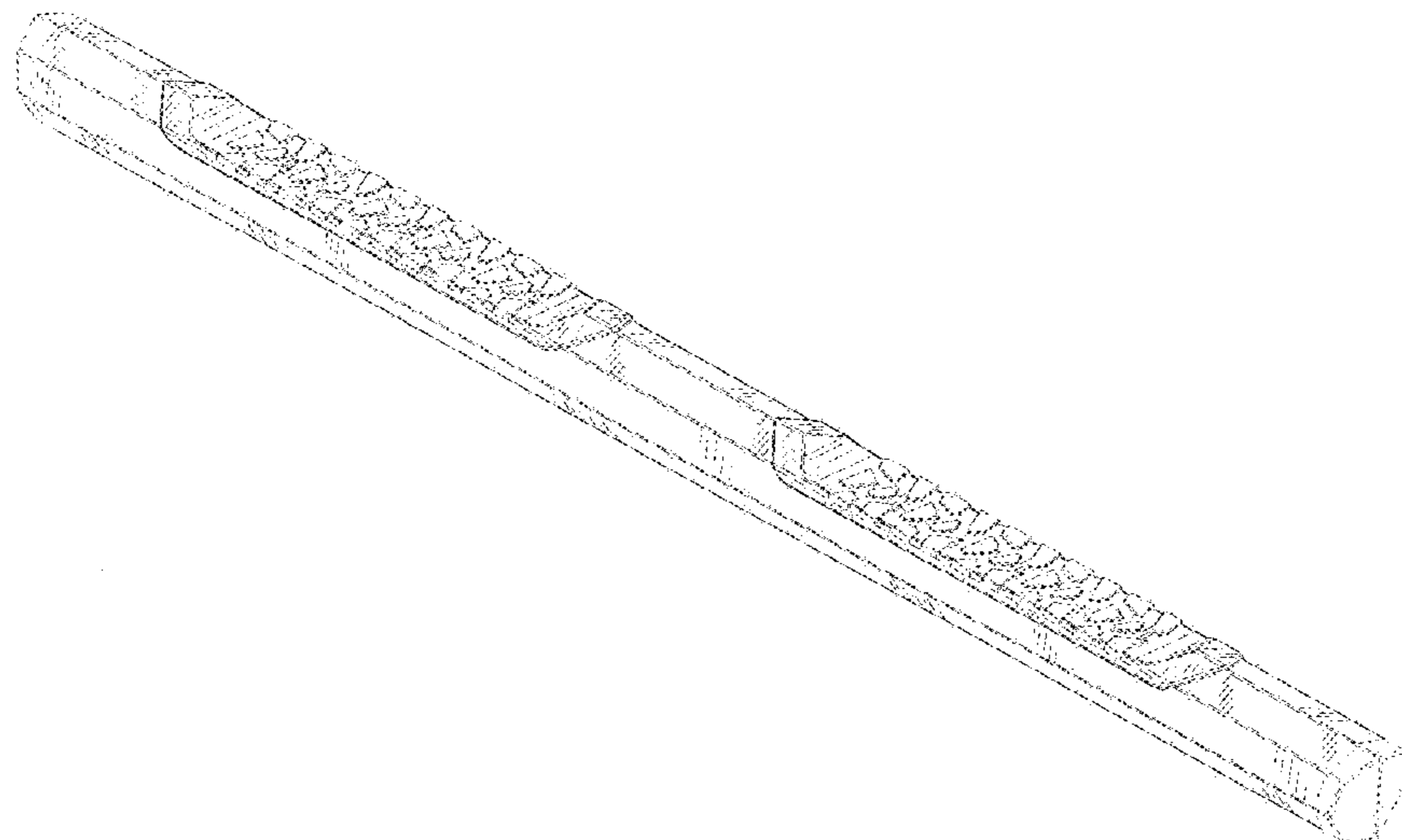
(62) Division of application No. 29/591,355, filed on Jan. 19, 2017, now Pat. No. Des. 838,643.
(51) **LOC (12) Cl.** **12-16**
(52) **U.S. Cl.**
USPC **D12/203**
(58) **Field of Classification Search**
USPC D12/203, 89, 98, 162, 314, 190, 196
CPC .. B60R 3/002; B60R 3/02; B60R 3/00; B60R 3/005; B60R 3/007
See application file for complete search history.

(56) **References Cited**

U.S. PATENT DOCUMENTS

D340,905 S * 11/1993 Orth, Sr. D12/203
D361,973 S * 9/1995 Hornik D12/203
D400,149 S * 10/1998 Zentner D12/203
D400,151 S * 10/1998 Zentner D12/203
D400,485 S * 11/1998 Zentner D12/203
D488,759 S 4/2004 Hattori et al.
D494,914 S * 8/2004 Elwell D12/203
D495,646 S * 9/2004 Elwell D12/203
D497,338 S 10/2004 Metros et al.

1 Claim, 5 Drawing Sheets



(56)

References Cited

U.S. PATENT DOCUMENTS

D632,627	S *	2/2011	Huang-Tsai	D12/203
D634,687	S *	3/2011	Vukel	D12/162
D665,320	S	8/2012	Najarro	
D671,874	S	12/2012	Kekich et al.	
D676,368	S *	2/2013	Cover	D12/203
8,448,968	B1 *	5/2013	Grote	B60R 3/002 280/163
D731,384	S	6/2015	Farr	
D737,188	S *	8/2015	Perkins	D12/203
D738,803	S *	9/2015	Zhu	D12/203
D739,322	S *	9/2015	Villareal	D12/203
D739,801	S *	9/2015	Bundy	D12/203
9,409,520	B1	8/2016	Wang	
D789,857	S	6/2017	Hare	
D789,858	S	6/2017	Hare	
D794,525	S	8/2017	Chen	
D803,126	S *	11/2017	Foley	D12/203
D805,986	S *	12/2017	Chi	D12/203
2012/0104718	A1 *	5/2012	Alvarez	B60R 3/00 280/163

* cited by examiner

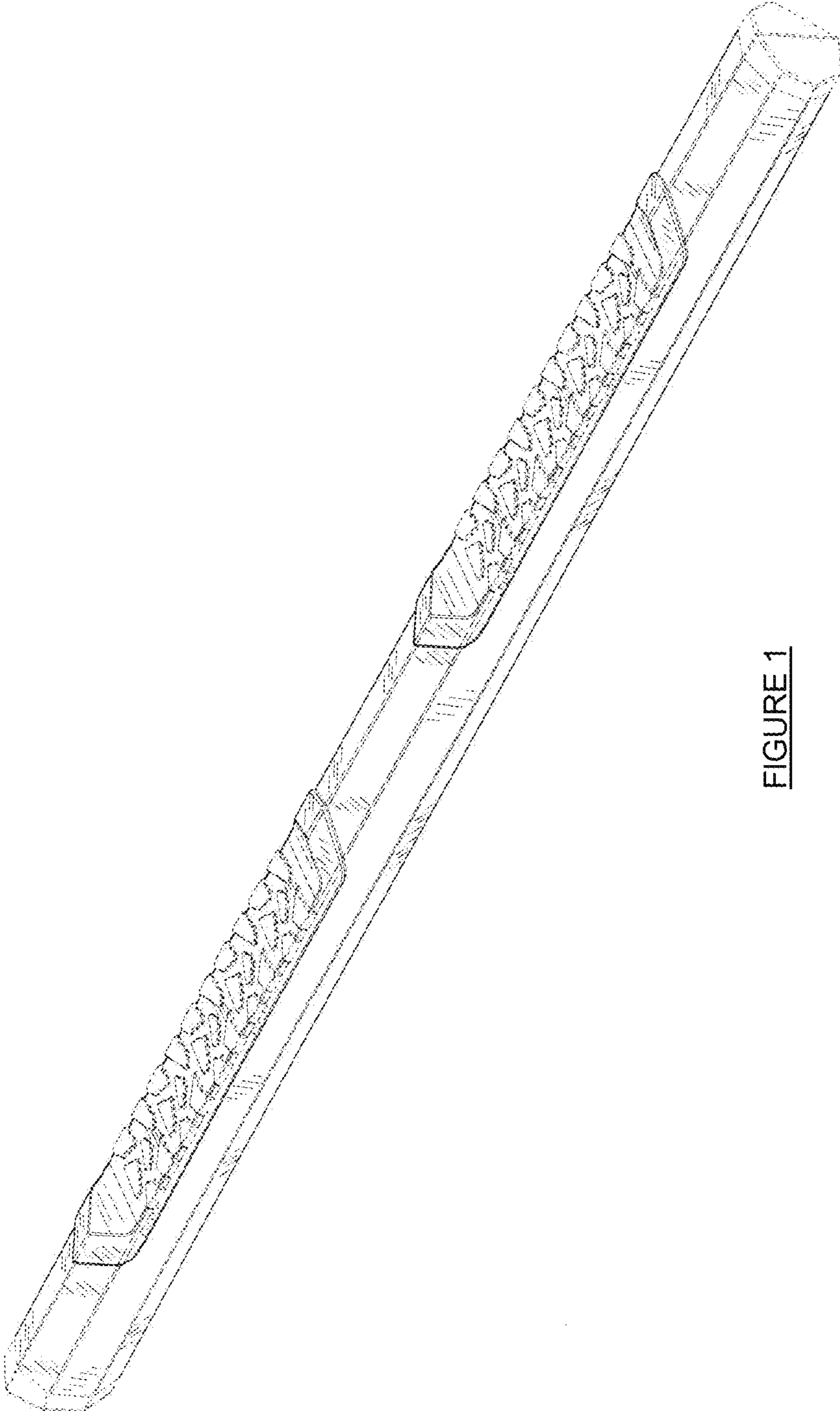


FIGURE 1

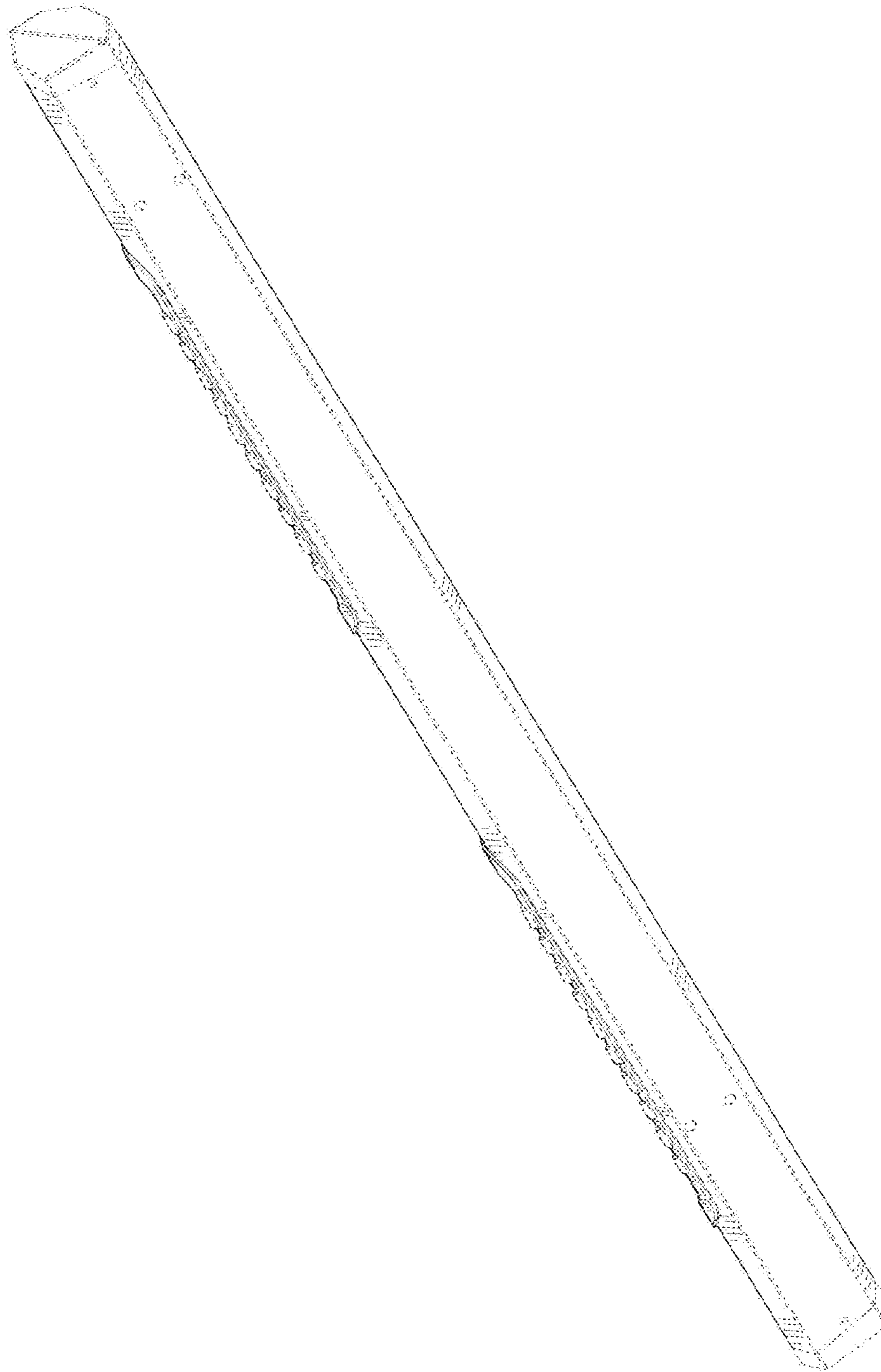


FIGURE 2

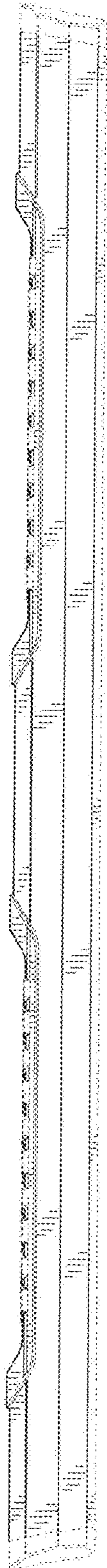


FIGURE 3



FIGURE 4



FIGURE 5



FIGURE 6

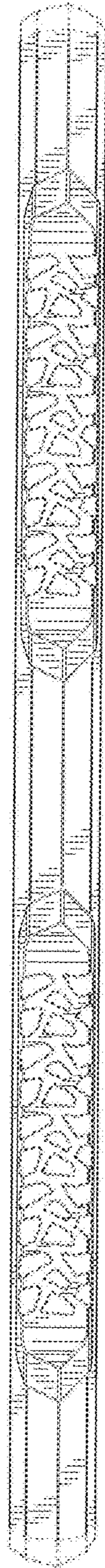


FIGURE 7



FIGURE 8

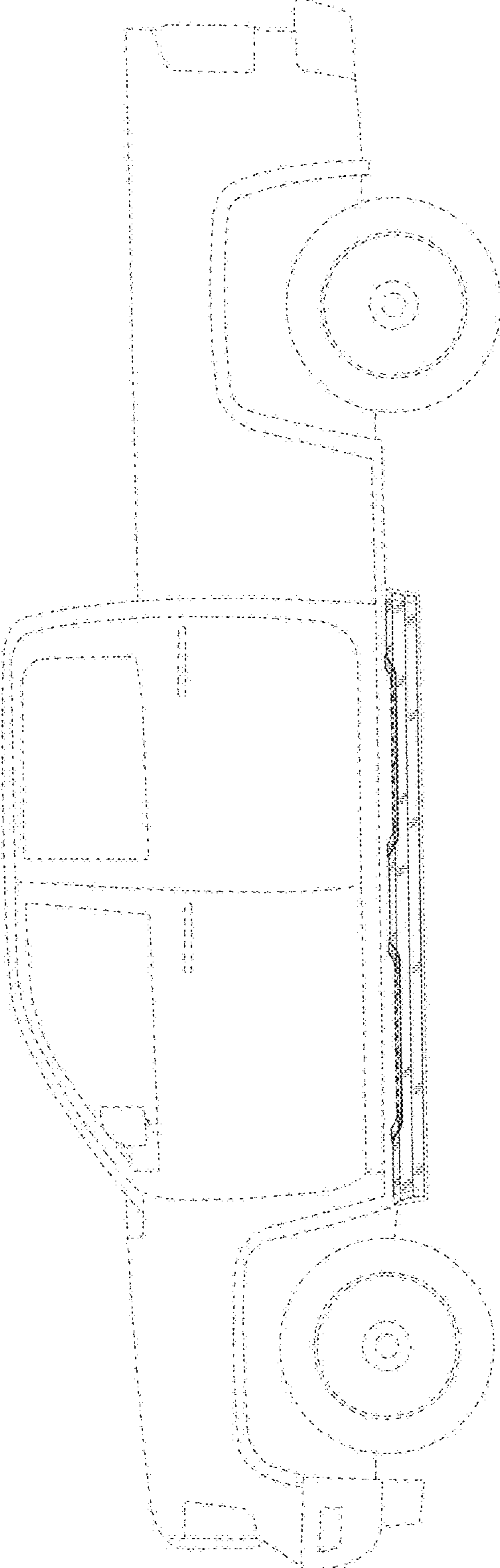


FIGURE 9