



US00D864068S

(12) **United States Design Patent** (10) **Patent No.:** **US D864,068 S**
Fichter et al. (45) **Date of Patent:** **** Oct. 22, 2019**

(54) **RUNNING BOARD**
(71) Applicant: **N-FAB, INC.**, Ann Arbor, MI (US)
(72) Inventors: **Thomas Dean Fichter**, Spring Texas, TX (US); **Brandon Mitchell Schwarzburg**, Tomball, TX (US); **Justin Daniel Fuller**, Tomball, TX (US)

4,610,458 A 9/1986 Garnahm
4,639,032 A 1/1987 Barbour
D293,667 S 1/1988 Weiler
4,926,965 A 5/1990 Fox
4,935,638 A 6/1990 Straka
4,943,085 A 7/1990 Straka

(Continued)

FOREIGN PATENT DOCUMENTS

EP 0173227 A2 3/1986
EP 0210465 A2 1/1987
WO 88/03882 A1 6/1988

(73) Assignee: **N-Fab, Inc.**, Ann Arbor, MI (US)

(**) Term: **15 Years**

OTHER PUBLICATIONS

(21) Appl. No.: **29/665,142**

Potentially related U.S. Pat. No. 6,588,783 published on Jul. 8, 2003.

(22) Filed: **Oct. 1, 2018**

(Continued)

(51) **LOC (12) Cl.** **12-16**

(52) **U.S. Cl.**
USPC **D12/203**

(58) **Field of Classification Search**
USPC D12/203, 89, 98, 314, 162, 190, 196
CPC .. B60R 3/002; B60R 3/02; B60R 3/00; B60R 3/005; B60R 3/007
See application file for complete search history.

Primary Examiner — Michelle E. Wilson

Assistant Examiner — Clese Moore, Jr.

(74) *Attorney, Agent, or Firm* — The Dobrusin Law Firm, P.C.; Daniel P. Aleksynas

(56) **References Cited**

(57) **CLAIM**

The ornamental design for a running board, as shown and described.

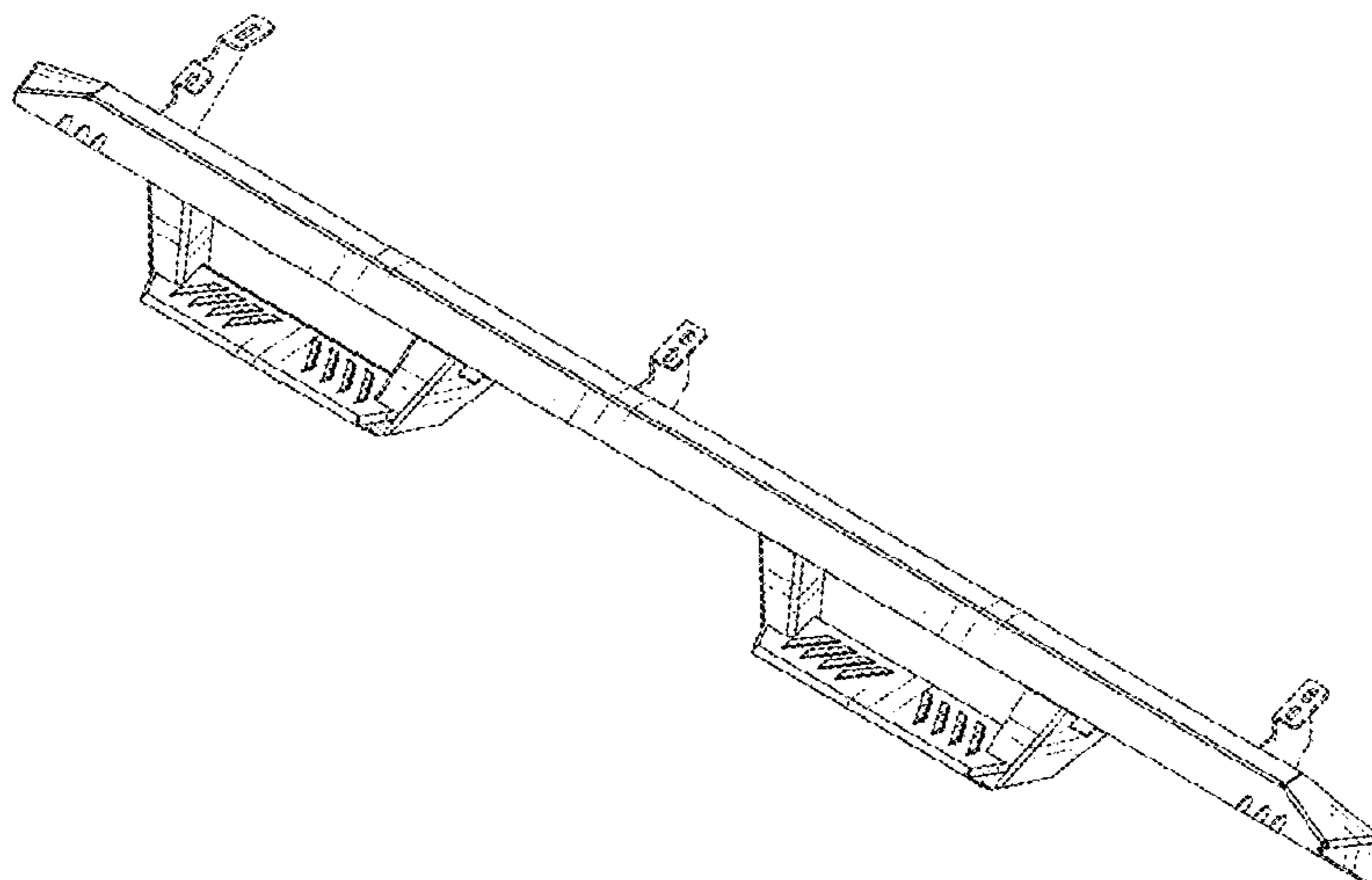
U.S. PATENT DOCUMENTS

DESCRIPTION

415,789 A	11/1889	Pendergast
810,199 A	5/1905	Erret
845,803 A	3/1907	Manross
1,043,715 A	11/1912	Mitchell
1,212,572 A	1/1917	Sheridan
2,559,123 A	7/1951	Jackson
2,678,832 A	5/1954	Rex
3,210,110 A	11/1965	George
3,862,670 A	1/1975	Hovey
3,980,319 A	9/1976	Kirkpatrick
4,017,093 A	4/1977	Stecker
T977,005 I4	12/1978	Slides
4,200,303 A	4/1980	Kelly
4,231,583 A	11/1980	Learn
4,333,547 A	6/1982	Johansson

FIG. 1 is a perspective view of the present design.
FIG. 2 is a bottom elevational view of FIG. 1.
FIG. 3 is a top elevational view of FIG. 1.
FIG. 4 is a back elevational view of FIG. 1.
FIG. 5 is a front elevational view of FIG. 1.
FIG. 6 is a first side elevational view of FIG. 1; and,
FIG. 7 is a second side elevational view of FIG. 1.
The broken lines which define the bounds of the claimed design form no part thereof and are used to show environmental structure.

1 Claim, 3 Drawing Sheets



(56)

References Cited

U.S. PATENT DOCUMENTS

4,982,974 A 1/1991 Guidry
 D316,394 S 4/1991 Carr
 5,046,582 A 9/1991 Albrecht
 5,137,293 A 8/1992 Graves et al.
 5,137,294 A 8/1992 Martin
 5,193,829 A 3/1993 Holloway et al.
 5,255,757 A 10/1993 Horowitz et al.
 5,286,049 A 2/1994 Khan
 5,620,059 A 4/1997 Crispeno
 5,732,996 A 3/1998 Graffy et al.
 5,895,064 A 4/1999 Laubach
 6,017,045 A 1/2000 Dermondy
 D437,818 S 2/2001 Mothersele
 D440,931 S 4/2001 Knight, III et al.
 1,295,904 A1 9/2001 Kelly et al.
 6,375,207 B1 4/2002 Dean et al.
 6,422,342 B1 7/2002 Armstrong et al.
 6,435,534 B1 8/2002 Stone
 6,536,790 B1 3/2003 Ojanen
 6,581,946 B2 6/2003 Lund et al.
 6,588,783 B2 7/2003 Fichter
 6,840,526 B2 1/2005 Anderson et al.
 6,874,801 B2 4/2005 Fichter
 6,986,523 B1 1/2006 Bickford
 D532,354 S 11/2006 Storer
 D546,745 S 7/2007 Storer
 D568,222 S 5/2008 Storer
 7,367,574 B2 5/2008 Leitner
 7,398,985 B2 7/2008 Leitner et al.
 7,416,202 B2 8/2008 Fichter
 7,717,444 B2 5/2010 Fichter
 7,775,536 B2 8/2010 Shumway
 7,909,344 B1 3/2011 Bundy
 7,976,042 B2 7/2011 Watson et al.
 D665,713 S * 8/2012 Pochurek D12/203
 8,308,177 B2 11/2012 Fravel
 D671,874 S * 12/2012 Kekich, Jr. D12/203
 8,641,068 B1 * 2/2014 Bundy B60R 3/00
 280/163

8,864,158 B1 * 10/2014 Perkins B60R 3/002
 280/163
 D720,674 S * 1/2015 Stanesic D12/203
 8,985,606 B2 3/2015 Fichter
 D737,188 S * 8/2015 Perkins D12/203
 D739,322 S * 9/2015 Villareal D12/203
 D757,622 S * 5/2016 Wolf D12/203
 9,758,104 B2 9/2017 Fichter
 D809,446 S * 2/2018 Montoya D12/203
 D811,976 S * 3/2018 Wu D12/203
 D824,830 S * 8/2018 Wolf D12/203
 D829,626 S * 10/2018 Tang D12/203
 2005/0173886 A1 8/2005 Leitner
 2008/0042395 A1 2/2008 Watson
 2008/0116652 A1 * 5/2008 Storer B60R 3/00
 280/164.1
 2009/0001682 A1 1/2009 Yamashita
 2009/0014978 A1 1/2009 Shumway
 2009/0072507 A1 3/2009 Storer
 2009/0250896 A1 10/2009 Watson
 2011/0181012 A1 * 7/2011 Storer B60R 3/002
 280/169
 2012/0228848 A1 * 9/2012 Fichter B60R 3/00
 280/163
 2013/0221632 A1 * 8/2013 Higgs B60R 3/00
 280/169
 2015/0091270 A1 * 4/2015 Stanesic B60R 3/002
 280/163
 2016/0059774 A1 * 3/2016 Crandall B60Q 1/323
 280/164.1

OTHER PUBLICATIONS

Potentially related U.S. Pat. No. 6,874,801 published on Apr. 5, 2005.
 Potentially related U.S. Pat. No. 7,416,202 published on Aug. 26, 2008.
 Potentially related U.S. Pat. No. 7,717,444 published on May 18, 2010.
 Potentially related U.S. Appl. No. 29/665,143, filed Oct. 1, 2018.

* cited by examiner

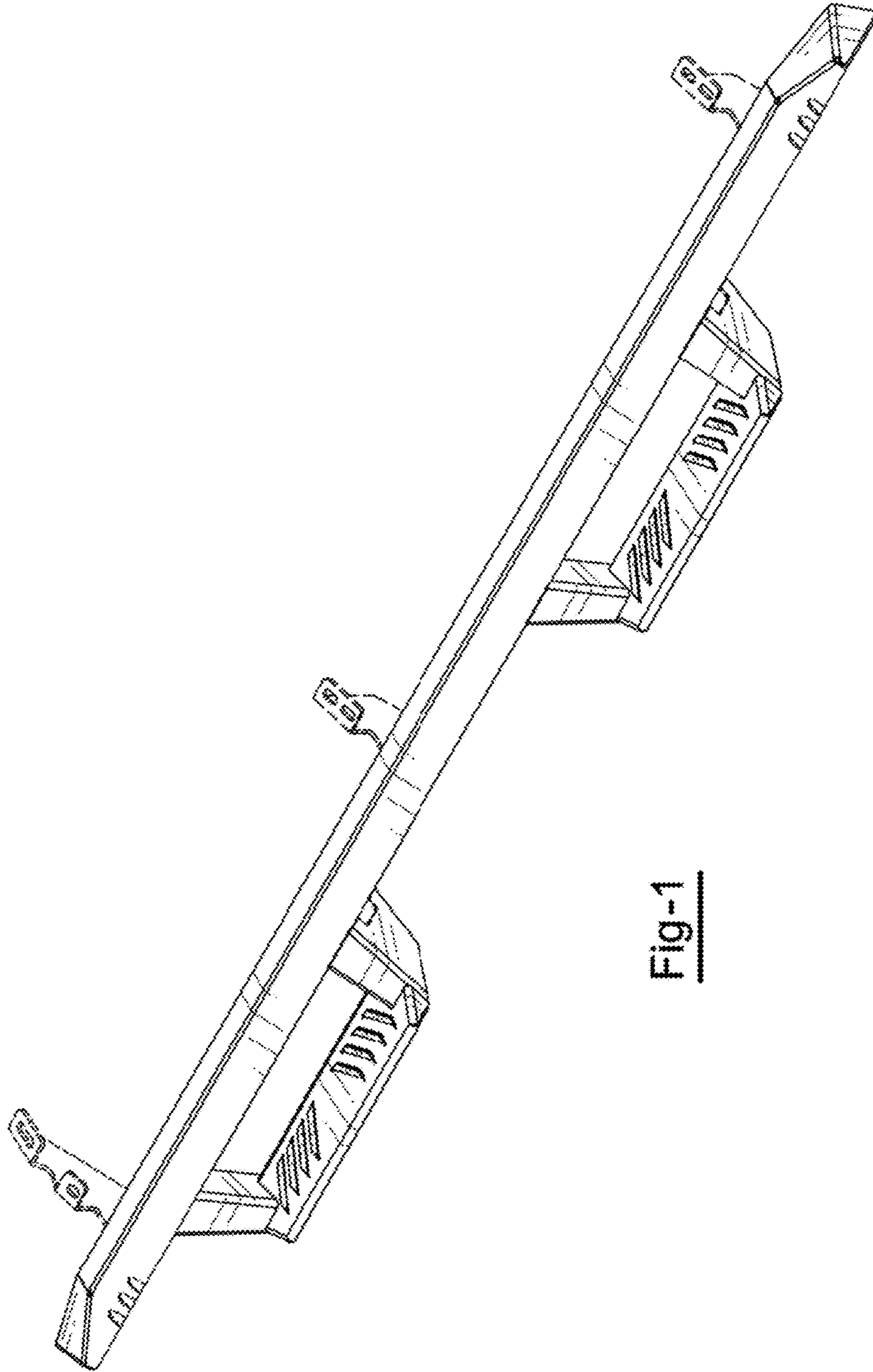


Fig-1

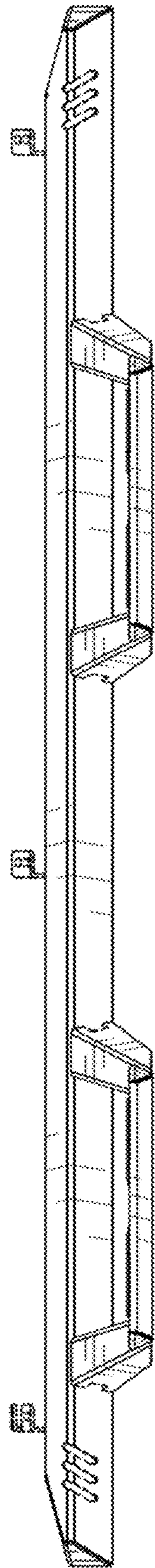


Fig-2

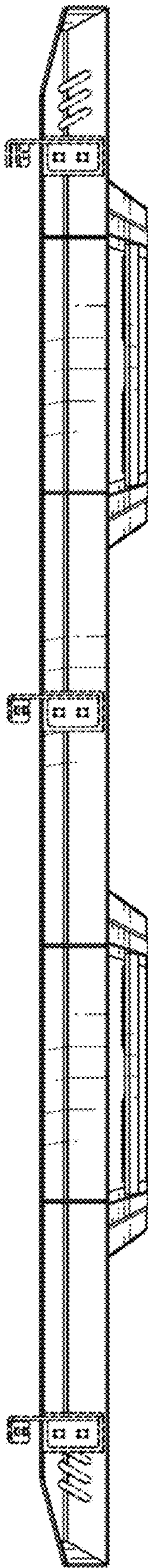


Fig-3

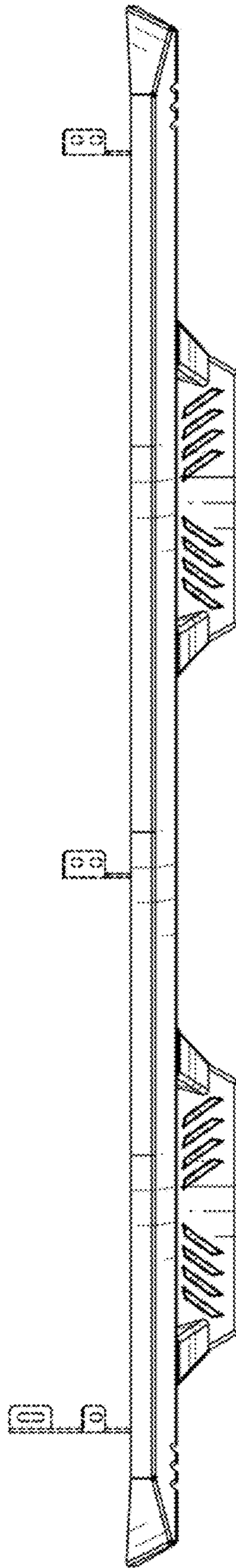


Fig-4

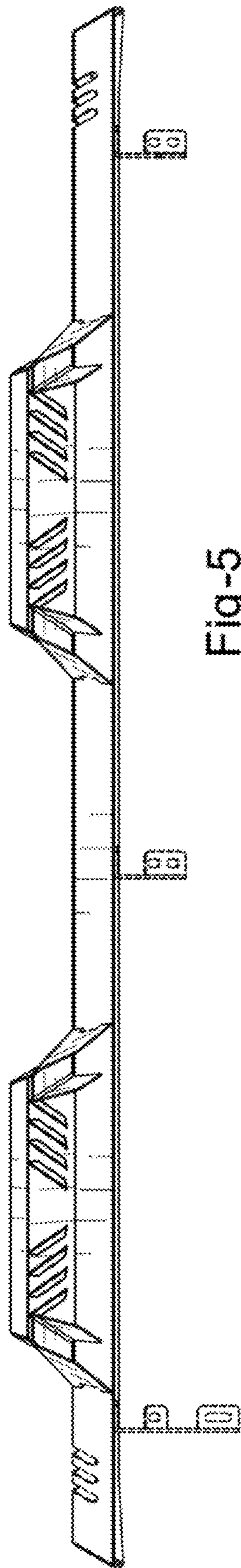


Fig-5

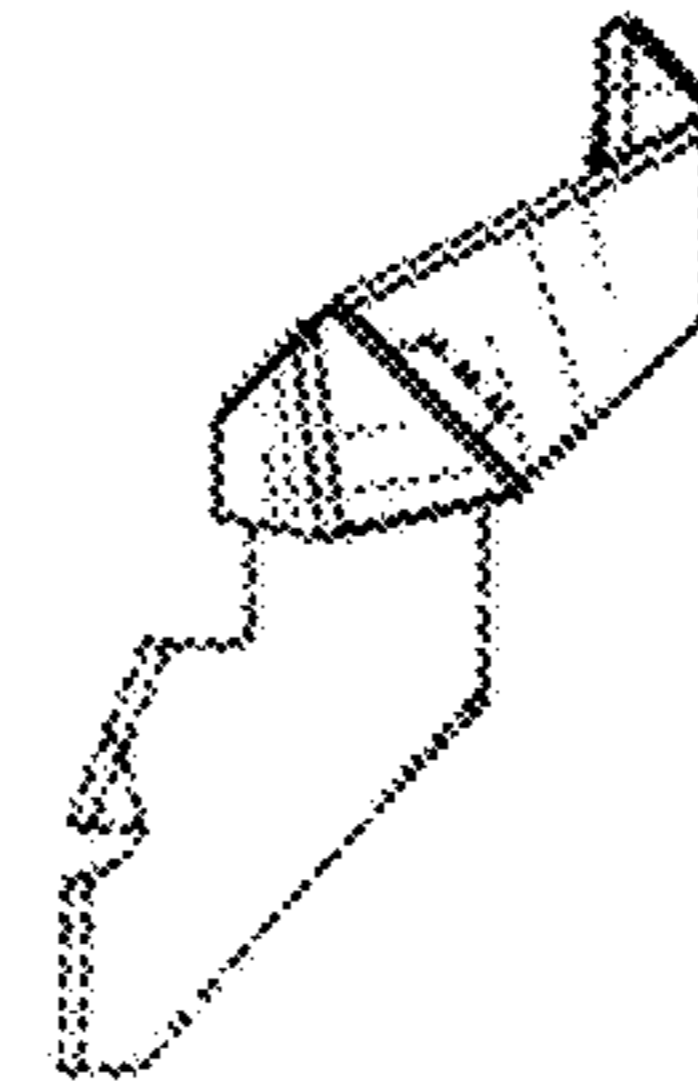


Fig-7

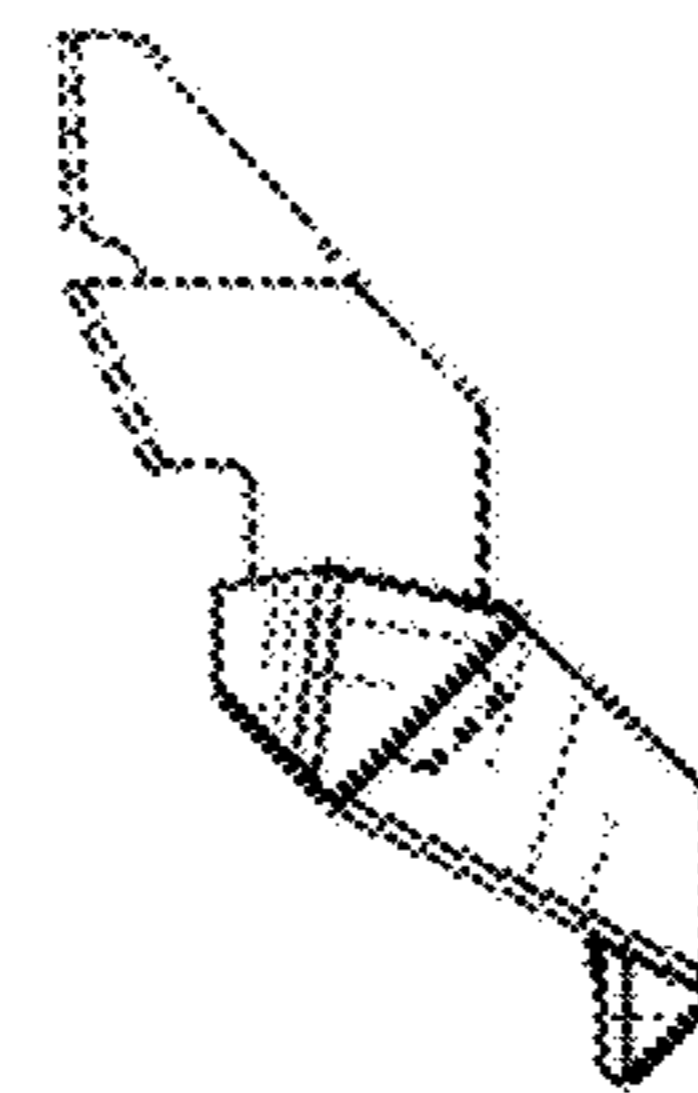


Fig-6